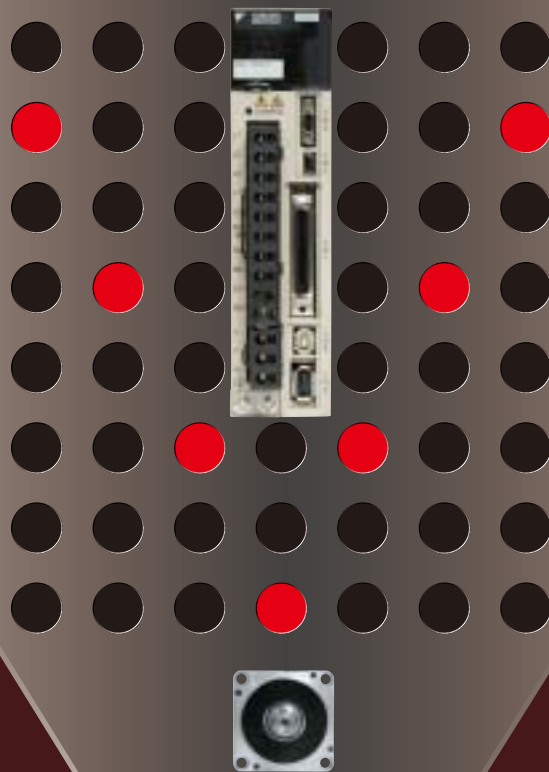


YASKAWA

AC SERVO DRIVES Σ -V SERIES PRODUCT CATALOG

Field-Proven Performance:
A Servo that Does What You Need!



Certified for
ISO9001 and
ISO14001



JQA-0422

JQA-EM0202

Build the machine you've dreamed of, today!

AC servo drive
Sigma Five

Σ -V

You want maximum effect quickly and easily, as does every engineer in the field. And now the Σ -V series is here with the practical answer to your dreams!

How many times have you heard people say servos need adjustment to work well? Our new tuning-less function means it works as soon as you hook it up!

And if you want more performance than ever before, the Σ -V series advanced autotuning function lets you set up for it rapidly.

Advanced technology makes possible a host of safety standards compliance for the first time in Japan (as of April 2007), compliance with key international standards, a diverse motor line-up, compact size, high speed and simple maintenance: everything you need to answer today's requirements.



International Standards



Safety Standards

Safety Stop-0 (Standard)

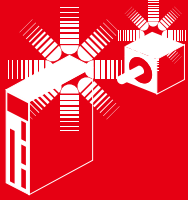
RoHS Directive

RoHS Directive Stands for the EU directive on the Restriction of the Use of Certain Hazardous Substances in Electrical and Electronic Equipment.

Note: Refer to page 454 for details on compliance with international standards and RoHS Directives for each product.

Features

Superlative Performance



Operate your machinery faster and with higher precision than ever!

The Σ -V delivers the highest performance in the industry.

- The best **amplifier** response in the industry slashes settling time

In-house comparison: 1/12th

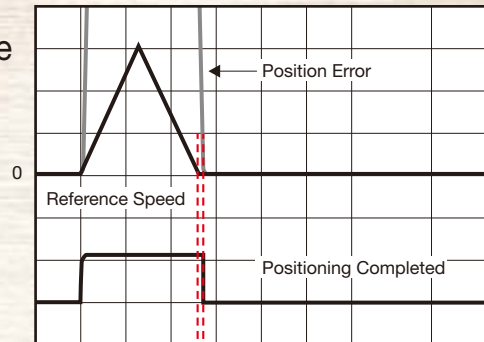
Outstanding frequency response

1.6 kHz*



*: Representative value when using a combination of the SGMJV-02ADA servomotor and SGD1-1R6A SERVOPACK at one time of the moment of inertia ratio.

● Servo Adjustment Example: When the ball screw slider is run using a combination of the SGMJV-02ADA servomotor and SGD1-1R6A SERVOPACK.



Settling Time 0 to 4 ms!

- Enhanced vibration suppression

Existing functions to minimize vibration have been enhanced, and new ones added, improving tracking and further improving settling time. Vibration and noise during driving have also been cut, along with vibration at machine edges when stopping.

- Contributing to machine performance in conjunction with a medium-inertia motor

Small Capacity
SGMJV Series



Low Heating

Improved motor constants have reduced both losses and heating.

Better Tact Time

Instantaneous peak torque has been boosted from 300% to 350%, contributing to shorter tact times

Ease of Use

Moment of inertia ratio has been doubled in the same motor, reducing the moment of inertia ratio and boosting gain for faster settling

Medium Capacity
SGMGV Series



Compact Design

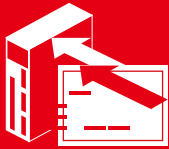
Smaller package and about 20% lighter, but with the same rotor moment of inertia as the conventional model. A small encoder connector is applied.

Improved Vibration Resistance

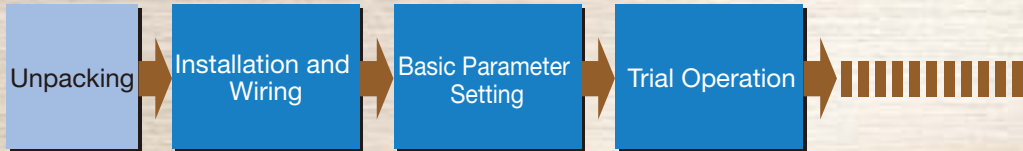
New coupling delivers typical 5G vibration resistance

Encoder resolution
1,048,576 pulses/revolution

Simple Start-up

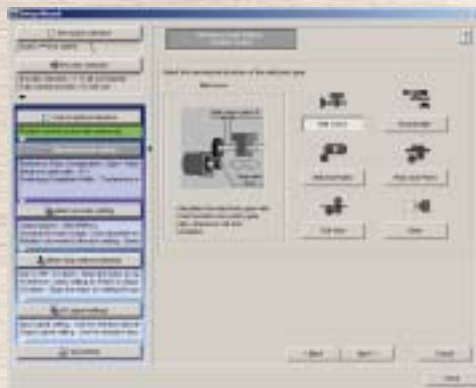


Making servo adjustment quick and simple



Faster setup

SigmaWin+

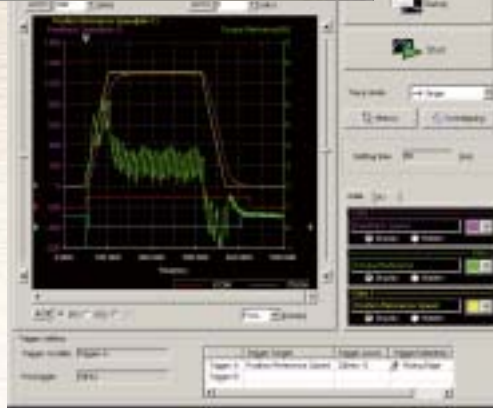


Setup Wizard

Simple parameter set-up with wizard-aided input

Wiring Check Function

The SigmaWin+ wiring check function checks your wiring in a single operation



USB1.1 Support

Trace Function

Realtime trace of adjustment state means you can check instantly.

● Full of handy functions for start-up and more effective operation!

■ Selection

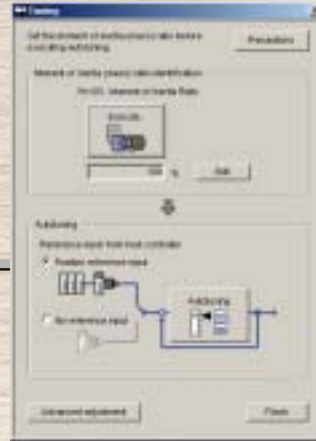
Servomotor capacity selection software

SigmaSize+

Optimal selection for your application:
With consideration of moment of inertia, DB resistance, etc.



Let the Σ -V series simplify your life!



New Advanced Autotuning Window

Simple Tuning

Get up and running quickly after hooking up the motor
New Tuning-less Function

Even without servo adjustment and with load changes, oscillation- and vibration-free drive is possible up to 20 times the load moment of inertia.
 Settling time: 100 to 150 ms level

Minimize settling time with less vibration
New Advanced Autotuning

The reference filter and feedback gain adjustment functions have a new automatic feed forward gain adjustment for optimal adjustment performance. The friction compensation function automatically cancels out the effect of friction on machine characteristics.
 Settling time: 10 ms level

Fine-tuning is a must
New "One-parameter" Tuning

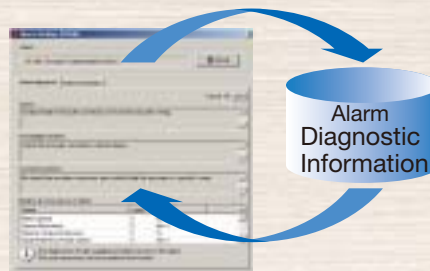
Fine-tuning can tweak machine performance to the max.
 Settling time: 0 to 4 ms level

Maintenance

Faster Troubleshooting

Engineering tool
SigmaWin+

Alarm diagnostic function:
 Presumes possible causes of the alarm and immediately displays suggested corrective actions.



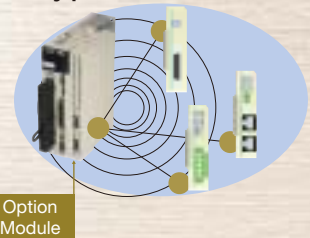
Outstanding Expandability



Use servos that really fit into your system

A rich selection of models and options to match your requirements

- Extensive variety of motors to match any machine
 - Medium-inertia servomotors → Improved control stability
 - Low-inertia servomotors → High-speed acceleration and deceleration
- Selection of servo actuators
 - Support for direct drive servomotors, linear servomotors and linear sliders
- Standard support for five different SERVOPACK types
 - Analog voltage/pulse train reference
 - MECHATROLINK-II communications reference
 - MECHATROLINK-III communications reference
 - INDEXER Module Mounted
 - DeviceNet Module Mounted



- Wide selection of option modules for various communication interfaces and feedback

- Compliant with applicable safety standards

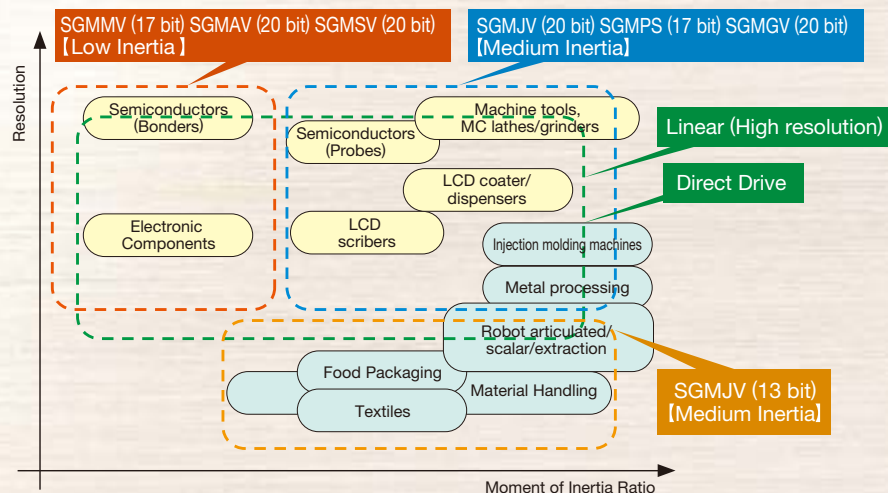
Easy compliance with machine safety standards
 SGD V SERVOPACKs have a safety function equivalent to the STO (Safe Torque Off) function as defined in the international standard IEC61800-5-2. (This was the first in the industry in Japan as of March 2007.)
 When used with the Safety Module, SGD V SERVOPACKs have safety functions equivalent to the STO (Safe Torque Off), SS1 (Safe Stop 1), SS2 (Safe Stop 2), and SLS (Safely-Limited Speed) functions as defined in IEC61800-5-2. (This was the first in the industry in Japan as of May 21, 2010.)



- Compliant with applicable SEMI F47 standards for 200-VAC SERVOPACKs

Easy use with applications for semiconductors and LCD manufacturing equipment
 Note: SEMI F47 Standards: Specification for Semiconductor Processing Equipment Voltage Sag Immunity

- Motor line-up to handle a wide range of markets and applications



Rich product lineup of SERVOPACKs Σ-V-EX/FT series

Pick and Choose!

You can select SERVOPACKs that best suit for your application from the product lineup of Σ-V-EX/FT series SERVOPACKs.

High-performance
Type
Σ-V-EX series



Optimized-
for-application Type
Σ-V-FT series



◆ High-performance Type Σ-V-EX series

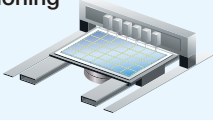
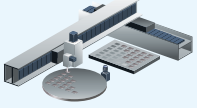
✓ : Possible — : Not possible

Model	Outline	Details	SERVOPACK Interface			Applicable Servomotors		
			Analog/ Pulse	M-II	M-III	Rotary type	Direct Drive	Linear
EX 001 With high speed, M-III communications	Enables to the construction of high-speed positioning systems using MECHATROLINK-III communications (125 μs) with the MP3000 machine controllers.	M-8	—	—	✓	✓	✓	✓
EX 002 Less Deviation	Offers high tracking ability to follow paths specified by commands. Ideal for equipment that requires high-positioning accuracy.	M-8	✓	—	✓	✓	✓	✓

◆ Optimized-for-application Type Σ-V-FT series

Model	Outline	Details	SERVOPACK Interface			Applicable Servomotors		
			Analog/ Pulse	M-II	M-III	Rotary type	Direct Drive	Linear
FT 001 For high-level vibration suppression	Suppresses vibrations at two different frequencies by switching gains, and improves throughputs of equipment.	M-9	✓	—	✓	✓	✓	—
FT 003 With Pressure Feedback	Performs pressure control with the use of pressure sensor signals. Pressure can be controlled with high accuracy and at high speeds because control can be changed to pressure control during operation.	M-9	—	✓	✓	✓	✓	✓
FT 005 For Handling Rotary Table Applications	Reduces positioning time by switching to position control during continuous operation. The SERVOPACK is equipped with triggers at pre-set positions so signals can be activated without using the host controller as an intermediary.	M-10	—	—	✓	✓	✓	—
FT 006 With Triggers at Pre-set Positions	Enables high-speed operation because the SERVOPACK is equipped with triggers at pre-set positions so signals can be activated without using the host controller as an intermediary. Ideal for equipment that requires triggers to start image processing or to start machining.	M-10	—	—	✓	✓	✓	✓
FT 008 For Absolute Position Detecting System Applications	Enables the construction of absolute position detecting systems using any host controllers.	M-11	✓	—	—	✓	✓	✓

Overview of High-performance Type Σ -V-EX Series SERVOPACKs

EX 001	Applications Those that require high-speed motions, such as electronic parts manufacturing and later processes in semiconductor manufacturing.
With high speed, M-III communications	<div style="display: flex; justify-content: space-between;"> <div style="width: 45%;"> <p>Use in high-speed, high-frequency positioning</p> <ul style="list-style-type: none"> · Die bonders · IC handlers · Chip mounters </div> <div style="width: 10%; text-align: center;">  </div> <div style="width: 45%;"> <p>Use in applications that require high-precision movements</p> <ul style="list-style-type: none"> · NC devices · Dispensers </div> <div style="width: 10%; text-align: center;">  </div> </div>

Features

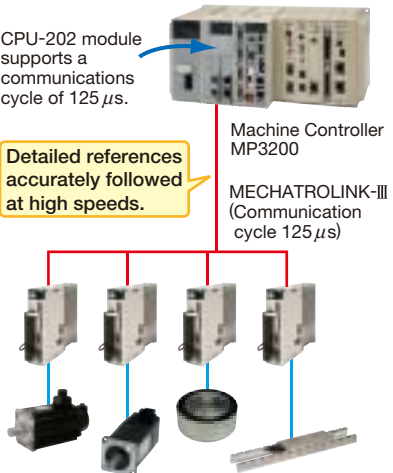
Improves tracking accuracy and throughput with the minimum communications cycle of 125 μ s which makes command response faster.

System Configuration

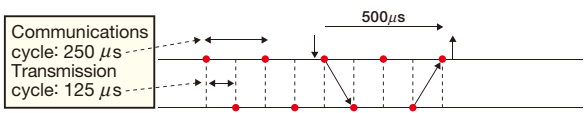
CPU-202 module supports a communications cycle of 125 μ s.

Detailed references accurately followed at high speeds.

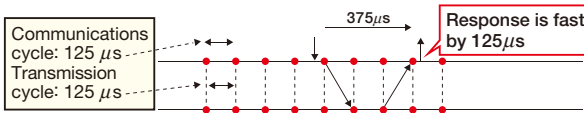
Machine Controller MP3200
MECHATROLINK-III (Communication cycle 125 μ s)



Response for 250 μ s communications cycle

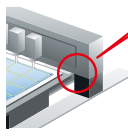


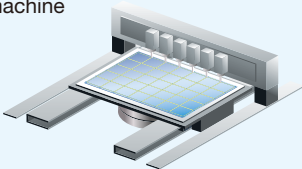
Response for 125 μ s communications cycle



Response is faster by 125 μ s

[Glossary]
 Communications cycle: The cycle in which the host controller creates and sends references.
 Transmission cycle: The cycle in which the host controller sends data to the SERVOPACK.



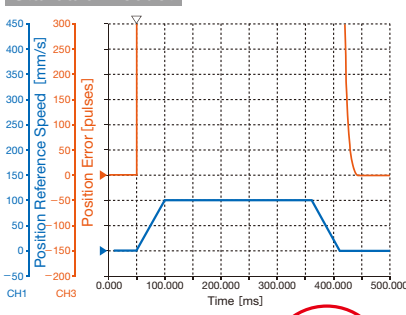
EX 002	Applications Those that require particularly high positioning accuracy.
Less Deviation	<ul style="list-style-type: none"> · Laser processing machine · Dispensers 

Features

Tracking ability to follow commands is extremely high and provides even greater accuracy in tracking control.

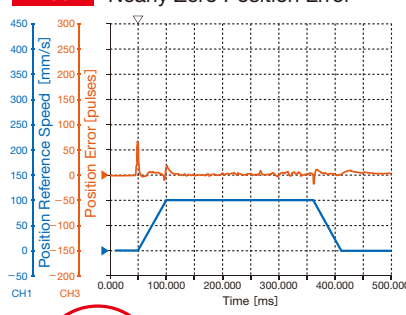
Comparison of Tracking Accuracy

Standard Product

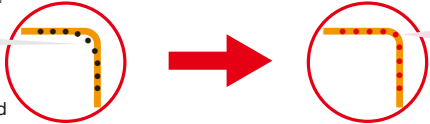


Corner cut without precision with circular command.
The position error during travel prevents tracking the path specified by the command with accuracy.

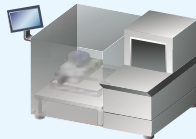
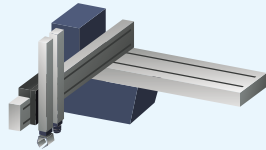
EX002 Nearly Zero Position Error



Higher Tracking Performance!
The position error is reduced during travel to achieve the commanded move.



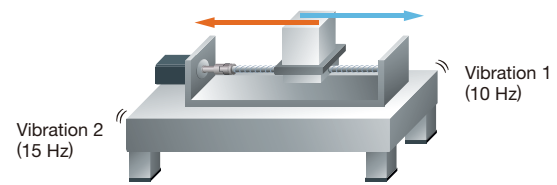
Overview of Optimized-for-application Type Σ -V-FT Series SERVOPACKs

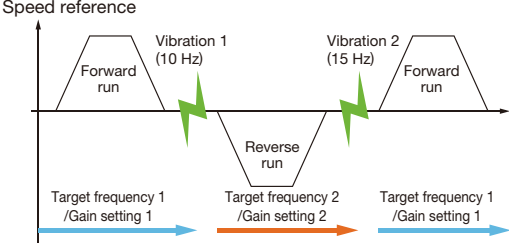
FT 001	Applications For vibrations at different frequencies.
For high-level vibration suppression	<ul style="list-style-type: none"> • Probing machines • LED bonders • Mounters  <ul style="list-style-type: none"> • Retrieval robot 

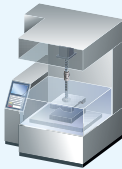
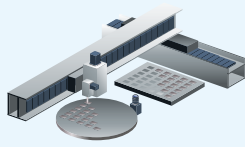
Features Equipped with improved vibration suppression function to help reduce the positioning time.

- ▶ **Two different vibrations can be suppressed by switching gains**
 The frequencies of the vibrations are affected by the machine's stopping position and direction of movement. The frequencies of these different vibrations can now be specified resulting in better suppression with new parameter settings added to the gain switching function. Now two different vibrations that occur in different situations can be suppressed. Throughputs can be improved even for machines affected by vibrations that vary depending on the situation.
 - [Gain switching]
 - Automatic** Gain switching for changes in direction
 - ▶ Switching when changing forward↔reverse
 - Manual** Gain switching by external input signal
 - ▶ Switching by /G-SEL signal
- ▶ **Five-stage notch filtering for stronger suppression of machine resonance**
 Five-stage notch filtering is used to better suppress vibrations caused by machine resonance, whereas conventional AC servo drives have only two stages. With five-stage notch filtering, gains can then be increased. Better control of any disturbances and shorter positioning times are now possible.

▶ **Example of vibration suppression with new gain switching**
 When frequencies differ with stopping position, direction of movement, and weight load.



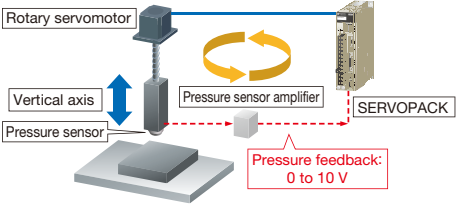


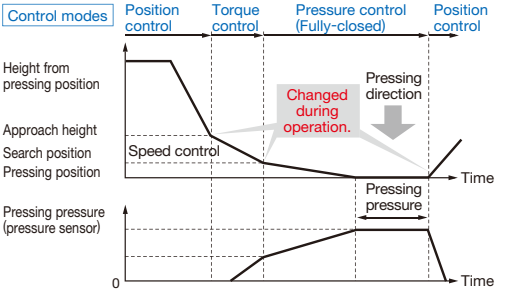
FT 003	Applications Those that require particularly high-accuracy pressure control.
With Pressure Feedback	<ul style="list-style-type: none"> • Presses (e.g., resin molding)  <ul style="list-style-type: none"> • Die bonders 

Features Helps increase performance of equipment with the high-accuracy pressure control.

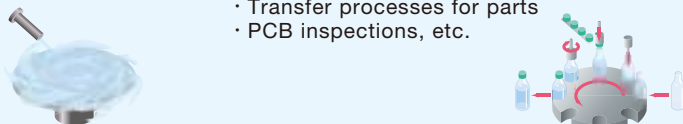
- ▶ **High-accuracy pressure control**
 Using pressure sensor signals, the FT003 SERVOPACK performs pressure control. This enables high-accuracy pressure control to resist mechanical losses and external disturbances. The pressure reference can be changed from the host in realtime to handle complex fluctuations in pressure. Ideal for presses, bonders, and other equipment where pressure accuracy affects the product quality.
- ▶ **Smooth control switching**
 In addition to the previous position, speed, and torque control, you can also change to pressure control during operation. No need for down time to change control modes, improving machine takt time.

▶ **Conceptual illustration of system control with a pressure sensor**



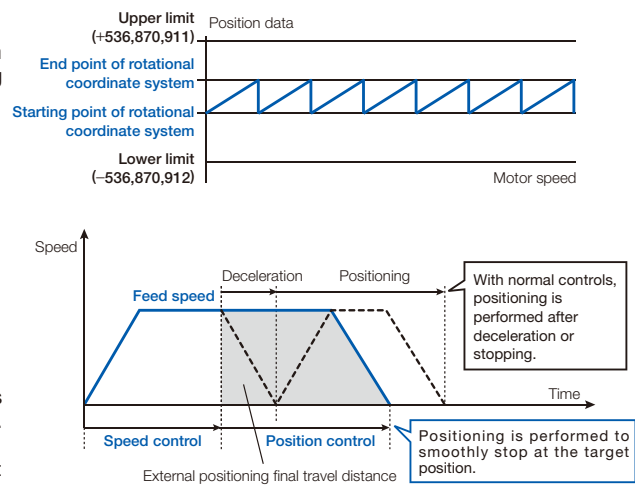


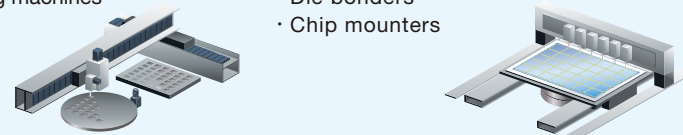
Overview of Optimized-for-application Type Σ -V-FT Series SERVOPACKs

FT 005	Applications <ul style="list-style-type: none"> ▶ Smoothly positioning to a stop during continuous speed operation <ul style="list-style-type: none"> • Wafer cleaners • Polishing, etc. ▶ Processes that use pre-set trigger positions <ul style="list-style-type: none"> • Transfer processes for parts • PCB inspections, etc.
For Handling Rotary Table Applications	

Features Equipped with a rotational coordinate system and triggers at pre-set positions to enable smooth and high-accuracy control of rotary tables.

- ▶ **Easy management of coordinates for rotary tables**
You can manage positions on a rotational coordinate system that is set in advance with parameters. This simplifies managing infinite-length coordinates for rotary tables.
- ▶ **Smoothly perform positioning to stop from continuous speed operation**
You can smoothly stop at a target position by changing to position control during speed control or constant-speed feeding, and reduce positioning time.
- ▶ **Shorter delays and greater accuracy**
The SERVOPACK is equipped with triggers at pre-set positions which activate signals without going through the host controller. This reduces output delays and increases detection accuracy. It also eliminates the need for a counter module at the host controller.

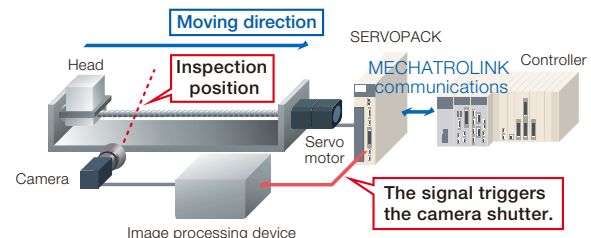
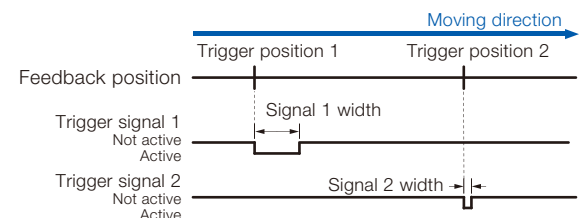


FT 006	Applications Any devices that require an output that is linked to the servo mechanism passing a position. <ul style="list-style-type: none"> ▶ Output trigger to start processing <ul style="list-style-type: none"> • Laser processing machines • Dispensers ▶ Setting trigger to start image processing <ul style="list-style-type: none"> • Die bonders • Chip mounters
With Triggers at Pre-set Positions	

Features Outputs trigger signals at pre-set positions without using the host controller as an intermediary.

- The SERVOPACK outputs signals during motor transit at user-selected fixed points.
- ▶ **Shorter delays and greater accuracy**
The timing of the communications cycles used in the host controller's applications does not affect the SERVOPACK's operation. This results in shorter delays, greater accuracy, and faster operations.
 - ▶ **Simple system**
The counter module that was previous required for the host controller is no longer necessary, which simplifies the system.

Basic operation of triggers at pre-set positions

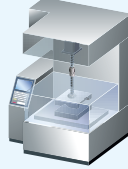


FT 008

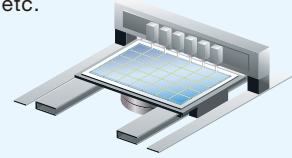
For Absolute Position Detecting System Applications

Applications | Machines That Require Absolute Position Detecting System

- Use for Multi-axis synchronous control
 - Presses, etc.



- Use for Multi-head control
 - Dispensers, etc.

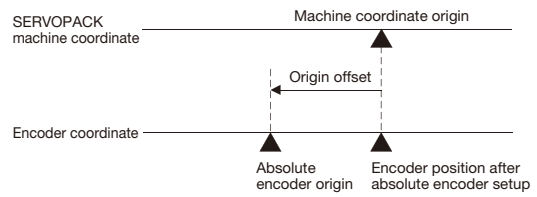


Features

Can build absolute position detecting systems with any host controller.

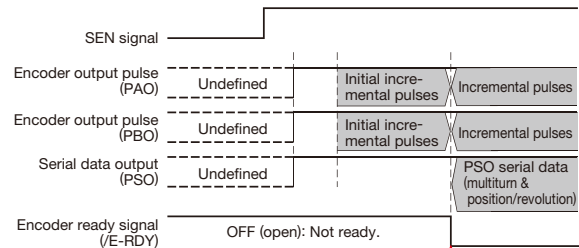
▶ **Set Origin of Machine Coordinate System* as Origin of Absolute Position Detecting System**

- The FT008 sets the origin automatically when you set up the absolute encoder.
 - There is no need to maintain the origin offset at the host controller.
- * : You can also use the absolute encoder origin.



▶ **Output Absolute Position Data as Serial Data (PSO Signal)**

- The FT008 outputs the absolute position data based on the origin of the machine coordinate system.*
- The FT008 manages the absolute position using only the pulse counter of the host controller.



ON (closed): Ready.

▶ **Select Absolute Data Request Signal (SEN) (by Parameter)**

- 5-V signal
- 24-V signal (Set with an input signal assignment.)
- Not using the SEN signal

Product Line-up

Servomotors

◆Rotary Servomotors (Ultra-small Capacity, Small Capacity)



SGMMV (Low Inertia)
3.3 W to 30 W



SGMJV (Medium Inertia)
50 W to 750 W



SGMAV (Low Inertia)
50 W to 1 kW

◆Rotary Servomotors (Medium Capacity)



SGMPS (Medium Inertia, Flat Type)
100 W to 1.5 kW



SGMGV (Medium Inertia)
300 W to 15 kW



SGMSV (Low Inertia)
1.0 kW to 7.0 kW

◆Direct Drive Servomotors



SGMCS (Small Capacity, Coreless)
2 N·m to 35 N·m



SGMCS (Medium Capacity, with Core)
45 N·m to 200 N·m

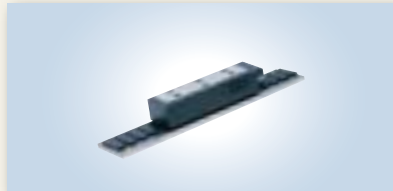


SGMCS (Small Capacity, with Core)
4 N·m to 35 N·m

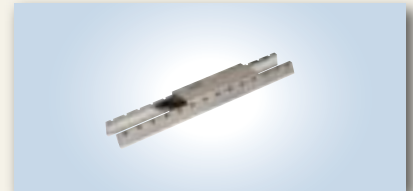
◆Linear Servomotors



SGLGW (Coreless Type)
12.5 N to 750 N



SGLFW (With F-type Iron Core)
25 N to 1120 N



SGLTW (With T-type Iron Core)
130 N to 1300 N

◆Linear Sliders



Σ-Trac-μ (SGTMM)
3.5 N to 7 N

SERVOPACKs with AC Power Input

Option Modules

◆Analog Voltage/
Pulse Train Reference



SGDV-□□□□01/05 SERVOPACK

◆MECHATROLINK-II
Communications Reference



SGDV-□□□□11/15 SERVOPACK

◆MECHATROLINK-III
Communications Reference



SGDV-□□□□21/25 SERVOPACK

◆Fully-closed Module



SGDV-OFA01A

◆INDEXER Module Mounted



SGDV□□□□E□□
□□□□□□1□□ SERVOPACK

◆DeviceNet Module Mounted



SGDV□□□□E□□
□□□□□□5□□ SERVOPACK,
SGDV□□□□E□□
□□□□□□6□□ SERVOPACK

◆High-performance Type,
Optimized-for-application Type



SGDV-□□□□□□□
□□□EX□□□ SERVOPACK,
SGDV-□□□□□□□
□□□FT□□□ SERVOPACK

◆Safety Module



SGDV-OSA01A

Combination of SERVOPACKs and Option Modules

✓ : Possible — : Not possible

SERVOPACK Model			Option Module	
			Fully-Closed Module (SGDV-OFA01A)	Safety Module (SGDV-OSA01A)
Analog Voltage/Pulse Train Reference Type (SGDV-□□□□01/05)			✓ *1	✓ *1
MECHATROLINK-II Communications Reference Type (SGDV-□□□□11/15)			✓ *1	✓ *1
MECHATROLINK-III Communications Reference Type (SGDV-□□□□21/25)			✓ *1	✓ *1
SERVOPACK Model Designations	SERVOPACK Model	Command Option Module Model		
INDEXER Module-Mounted Type (SGDV□□□□E□□□□□□□□1□□)	Command Option Attachable Type (SGDV-□□□□E1/E5)	INDEXER (SGDV-OCA03A)	✓	—
DeviceNet Module-Mounted Type (SGDV□□□□E□□□□□□□□5□□)*2		DeviceNet*2 (SGDV-OCA04A)	✓	—
(SGDV□□□□E□□□□□□□□6□□)*3		DeviceNet*3 (SGDV-OCA05A)	✓	—

*1: You cannot use a Fully-Closed Module and a Safety Module together.

*2: Driven by control power supply

*3: Driven by external power supply

SERVOPACKs with DC Power Input

◆Analog Voltage Reference



SGDV-□□□ES1 SERVOPACK

◆Pulse Train Reference



SGDV-□□□EP1 SERVOPACK

◆MECHATROLINK-II
Communications Reference



SGDV-□□□E11 SERVOPACK

◆MECHATROLINK-III
Communications Reference



SGDV-□□□E21 SERVOPACK

Σ-V Combinations

◆ Rotary Servomotors and SERVOPACKs with AC Power Input

Rotary Servomotor Model		Capacity	SERVOPACK Model SGD□-□□□□																																																																																																																																																																		
			Single-phase 100 VAC	Three-phase 200 VAC	Three-phase 400 VAC																																																																																																																																																																
SGMMV (Low Inertia, Ultra-small Capacity) 3000 min ⁻¹	SGMMV-A1A	10 W	R90F	R90A*1	—																																																																																																																																																																
	SGMMV-A2A	20 W																																																																																																																																																																			
	SGMMV-A3A	30 W	2R1F	1R6A*1		SGMJV (Medium Inertia, Small Capacity) 3000 min ⁻¹	SGMJV-A5A	50 W	R70F	R70A*1	—	SGMJV-01A	100 W	R90F	R90A*1	SGMJV-C2A	150 W	2R1F	1R6A*1	SGMJV-02A	200 W	2R1F	1R6A*1	SGMJV-04A	400 W	2R8F	2R8A*1	SGMJV-06A	600 W	—	5R5A*1	SGMJV-08A	750 W	—	5R5A*1	SGMAV (Low Inertia, Small Capacity) 3000 min ⁻¹	SGMAV-A5A	50 W	R70F	R70A*1	—	SGMAV-01A	100 W	R90F	R90A*1	SGMAV-C2A	150 W	2R1F	1R6A*1	SGMAV-02A	200 W	SGMAV-04A	400 W	2R8F	2R8A*1	SGMAV-06A	550 W	—	5R5A*1	SGMAV-08A	750 W	SGMAV-10A	1 kW	120A*2	SGMPS (Medium Inertia, Small Capacity, Flat Type) 3000 min ⁻¹	SGMPS-01A	100 W	R90F	R90A*1	—	SGMPS-02A	200 W	2R1F	2R8A*1	SGMPS-04A	400 W	2R8F	SGMPS-08A	750 W	—	5R5A*1	SGMPS-15A	1.5 kW	—	120A*2	SGMSV (Low Inertia, Medium Capacity) 3000 min ⁻¹	SGMSV-10A	1.0 kW	—	7R6A	—	SGMSV-15A	1.5 kW	120A*2	SGMSV-20A	2.0 kW	180A	SGMSV-25A	2.5 kW	200A	SGMSV-30A	3.0 kW	SGMSV-40A	4.0 kW	330A	SGMSV-50A	5.0 kW	—	550A	SGMSV-70A	7.0 kW	SGMSV-10D	1.0 kW	3R5D	SGMSV-15D	1.5 kW	5R4D	SGMSV-20D	2.0 kW	8R4D	SGMSV-25D	2.5 kW	120D	SGMSV-30D	3.0 kW	SGMSV-40D	4.0 kW	SGMSV-50D	5.0 kW	SGMSV-50D	5.0 kW	170D	SGMGV (Medium Inertia, Medium Capacity) 1500 min ⁻¹	SGMGV-03A	300 W	—	3R8A	—	SGMGV-05A	450 W	SGMGV-09A	850 W	7R6A	SGMGV-13A	1.3 kW	120A*2	SGMGV-20A	1.8 kW	180A	SGMGV-30A	2.9 kW	330A/200A*3	SGMGV-44A	4.4 kW	330A	SGMGV-55A	5.5 kW	470A	SGMGV-75A	7.5 kW	550A	SGMGV-1AA	11 kW	590A	SGMGV-1EA
SGMJV (Medium Inertia, Small Capacity) 3000 min ⁻¹	SGMJV-A5A	50 W	R70F	R70A*1	—																																																																																																																																																																
	SGMJV-01A	100 W	R90F	R90A*1																																																																																																																																																																	
	SGMJV-C2A	150 W	2R1F	1R6A*1																																																																																																																																																																	
	SGMJV-02A	200 W	2R1F	1R6A*1																																																																																																																																																																	
	SGMJV-04A	400 W	2R8F	2R8A*1																																																																																																																																																																	
	SGMJV-06A	600 W	—	5R5A*1																																																																																																																																																																	
	SGMJV-08A	750 W	—	5R5A*1																																																																																																																																																																	
SGMAV (Low Inertia, Small Capacity) 3000 min ⁻¹	SGMAV-A5A	50 W	R70F	R70A*1	—																																																																																																																																																																
	SGMAV-01A	100 W	R90F	R90A*1																																																																																																																																																																	
	SGMAV-C2A	150 W	2R1F	1R6A*1																																																																																																																																																																	
	SGMAV-02A	200 W																																																																																																																																																																			
	SGMAV-04A	400 W	2R8F	2R8A*1																																																																																																																																																																	
	SGMAV-06A	550 W	—	5R5A*1																																																																																																																																																																	
	SGMAV-08A	750 W																																																																																																																																																																			
	SGMAV-10A	1 kW		120A*2																																																																																																																																																																	
SGMPS (Medium Inertia, Small Capacity, Flat Type) 3000 min ⁻¹	SGMPS-01A	100 W	R90F	R90A*1	—																																																																																																																																																																
	SGMPS-02A	200 W	2R1F	2R8A*1																																																																																																																																																																	
	SGMPS-04A	400 W	2R8F																																																																																																																																																																		
	SGMPS-08A	750 W	—	5R5A*1																																																																																																																																																																	
	SGMPS-15A	1.5 kW	—	120A*2																																																																																																																																																																	
SGMSV (Low Inertia, Medium Capacity) 3000 min ⁻¹	SGMSV-10A	1.0 kW	—	7R6A	—																																																																																																																																																																
	SGMSV-15A	1.5 kW		120A*2																																																																																																																																																																	
	SGMSV-20A	2.0 kW		180A																																																																																																																																																																	
	SGMSV-25A	2.5 kW		200A																																																																																																																																																																	
	SGMSV-30A	3.0 kW																																																																																																																																																																			
	SGMSV-40A	4.0 kW	330A																																																																																																																																																																		
	SGMSV-50A	5.0 kW	—	550A																																																																																																																																																																	
	SGMSV-70A	7.0 kW																																																																																																																																																																			
	SGMSV-10D	1.0 kW		3R5D																																																																																																																																																																	
	SGMSV-15D	1.5 kW		5R4D																																																																																																																																																																	
	SGMSV-20D	2.0 kW		8R4D																																																																																																																																																																	
	SGMSV-25D	2.5 kW		120D																																																																																																																																																																	
	SGMSV-30D	3.0 kW																																																																																																																																																																			
	SGMSV-40D	4.0 kW																																																																																																																																																																			
	SGMSV-50D	5.0 kW																																																																																																																																																																			
SGMSV-50D	5.0 kW	170D																																																																																																																																																																			
SGMGV (Medium Inertia, Medium Capacity) 1500 min ⁻¹	SGMGV-03A	300 W	—	3R8A	—																																																																																																																																																																
	SGMGV-05A	450 W																																																																																																																																																																			
	SGMGV-09A	850 W		7R6A																																																																																																																																																																	
	SGMGV-13A	1.3 kW		120A*2																																																																																																																																																																	
	SGMGV-20A	1.8 kW		180A																																																																																																																																																																	
	SGMGV-30A	2.9 kW		330A/200A*3																																																																																																																																																																	
	SGMGV-44A	4.4 kW		330A																																																																																																																																																																	
	SGMGV-55A	5.5 kW		470A																																																																																																																																																																	
	SGMGV-75A	7.5 kW		550A																																																																																																																																																																	
	SGMGV-1AA	11 kW		590A																																																																																																																																																																	
	SGMGV-1EA	15 kW		780A																																																																																																																																																																	

Continued on next page.

Continued from previous page.

Rotary Servomotor Model		Capacity	SERVOPACK Model SGD-□□□□		
			Single-phase 100 VAC	Three-phase 200 VAC	Three-phase 400 VAC
SGMGV (Medium Inertia, Medium Capacity) 1500 min ⁻¹	SGMGV-03D	300 W	—	—	1R9D
	SGMGV-05D	450 W			3R5D
	SGMGV-09D	850 W			5R4D
	SGMGV-13D	1.3 kW			8R4D
	SGMGV-20D	1.8 kW			120D
	SGMGV-30D	2.9 kW			170D
	SGMGV-44D	4.4 kW			210D
	SGMGV-55D	5.5 kW			260D
	SGMGV-75D	7.5 kW			280D
	SGMGV-1AD	11 kW			370D
SGMGV-1ED	15 kW				

*1 : These amplifiers can be powered with single or three-phase.

*2 : Single-phase 200 VAC SERVOPACKs are also available (Model: SGD-120A□□A008000).

*3 : The combination of the SGD-200A SERVOPACK and the SGMGV-30A servomotor must be used at the derated values in the table on the right.

SERVOPACK Model	SGDV-200A	Derated Value	Rated Value
Rated Current	Arms	19.6	23.8
Rated Torque	N·m	15.1	18.6
Allowable Load Moment of Inertia		3 times	5 times

◆ Rotary Servomotors and SERVOPACKs with DC Power Input

Rotary Servomotor Model		Capacity	SERVOPACK Model SGD-□□□□
			24 VDC/48 VDC
SGMMV (Low Inertia, Ultra-small Capacity) 3000 min ⁻¹	SGMMV-B3E	3.3 W	1R7E
	SGMMV-B5E	5.5 W	
	SGMMV-B9E	11 W	
	SGMMV-A1E	10 W	2R9E
	SGMMV-A2E	20 W	
	SGMMV-A3E	30 W	

◆ Direct Drive Servomotors and SERVOPACKs with AC Power Input

Direct Drive Servomotor Model		Rated Torque N·m	Peak Torque N·m	SERVOPACK Model SGD-□□□□	
				Single-phase 100 VAC	Three-phase 200 VAC
SGMCS (Small Capacity, Coreless)	SGMCS-02B	2	6	2R1F	2R8A
	SGMCS-05B	5	15		
	SGMCS-07B	7	21		
	SGMCS-04C	4	12	2R8F	
	SGMCS-10C	10	30		
	SGMCS-14C	14	42		
	SGMCS-08D	8	24		
	SGMCS-17D	17	51		
	SGMCS-25D	25	75		
	SGMCS-16E	16	48		
SGMCS-35E	35	105	—	5R5A	
SGMCS (Medium Capacity, with Core)	SGMCS-45M	45	135	—	7R6A
	SGMCS-80M	80	240		120A
	SGMCS-80N	80	240		180A
	SGMCS-1AM	110	330		200A
	SGMCS-1EN	150	450		
	SGMCS-2ZN	200	600		
SGMCMV (Small Capacity, with Core)	SGMCMV-04B	4	12	2R8F	2R8A
	SGMCMV-10B	10	30		
	SGMCMV-14B	14	42	—	5R5A
	SGMCMV-08C	8	24	2R8F	2R8A
	SGMCMV-17C	17	51	—	5R5A
	SGMCMV-25C	25	75		7R6A
	SGMCMV-16D	16	48		5R5A
	SGMCMV-35D	35	105		7R6A*, 120A

*: Use the derated values given in the table on the right for the rated output and rated motor speed of this combination.

SERVOPACK Model	SGDV-7R6A	Derated Value	Rated Value
Rated Output	W	1000	1100
Rated Motor Speed	min ⁻¹	270	300

Σ-V Combinations

◆ Linear Servomotors, Linear Sliders (Σ-Trac-μ), and SERVOPACKs with AC Power Input

Linear Servomotor Model		Rated Force N	Peak Force N	SERVOPACK Model SGD□-□□□□		
				Single-phase 100 VAC	Three-phase 200 VAC	Three-phase 400 VAC
SGLGW (Coreless Type, With standard magnetic way)	SGLGW-30A050C	12.5	40	R70F	R70A*	—
	SGLGW-30A080C	25	80	R90F	R90A*	
	SGLGW-40A140C	47	140			
	SGLGW-40A253C	93	280	2R1F	1R6A*	
	SGLGW-60A140C	70	220	2R8F	2R8A*	
	SGLGW-40A365C	140	420			
	SGLGW-60A253C	140	440	—	5R5A*	
	SGLGW-60A365C	210	660		120A	
	SGLGW-90A200C	325	1300		180A	
	SGLGW-90A370C	550	2200		200A	
SGLGW-90A535C	750	3000				
SGLGW (Coreless Type, With high-efficiency magnetic way)	SGLGW-40A140C	57	230	2R1F	1R6A*	—
	SGLGW-60A140C	85	360			
	SGLGW-40A253C	114	460	2R8F	2R8A*	
	SGLGW-40A365C	171	690	—	3R8A	
	SGLGW-60A253C	170	720		7R6A	
	SGLGW-60A365C	255	1080			
SGLFW (With F-type Iron Core)	SGLFW-20A090A	25	86	2R1F	1R6A*	—
	SGLFW-20A120A	40	125			
	SGLFW-35A120A	80	220			
	SGLFW-35A230A	160	440	3R8A		
	SGLFW-50A200B	280	600		5R5A*	
	SGLFW-50A380B	560	1200	—	120A	
	SGLFW-1ZA200B	560	1200		200A	
	SGLFW-1ZA380B	1120	2400			
	SGLFW-35D120A	80	220	—	—	1R9D
	SGLFW-35D230A	160	440			3R5D
	SGLFW-50D200B	280	600			5R4D
	SGLFW-50D380B	560	1200			120D
	SGLFW-1ZD200B	560	1200			
	SGLFW-1ZD380B	1120	2400			
	SGLTW (With T-type Iron Core)	SGLTW-20A170A	130	380	—	3R8A
SGLTW-35A170A		220	660			
SGLTW-35A170H		300	600	5R5A*		
SGLTW-50A170H		450	900	7R6A		
SGLTW-20A320A		250	760			
SGLTW-20A460A		380	1140	120A		
SGLTW-35A320A		440	1320			
SGLTW-35A320H		600	1200			
SGLTW-50A320H		900	1800	180A		
SGLTW-35A460A		670	2000			
SGLTW-40A400B		670	2600	330A		
SGLTW-40A600B		1000	4000			
SGLTW-80A400B		1300	5000	550A		
SGLTW-80A600B		2000	7500			
SGLTW-35D170H		300	600	—		—
SGLTW-50D170H		450	900		8R4D	
SGLTW-35D320H		600	1200		120D	
SGLTW-50D320H		900	1800		170D	
SGLTW-40D400B		670	2600		260D	
SGLTW-40D600B		1000	4000			
SGLTW-80D400B		1300	5000			
SGLTW-80D600B	2000	7500				
Σ-Trac-μ (SGTMM)	SGTMM01	3.5	10	R70F	R70A	—
	SGTMM03	7	25	R90F	R90A	

*: These amplifiers can be powered with single or three-phase.

Recommended Linear Scales

◆ Incremental Linear Scales

√ : Possible — : Not possible

Output Signal	Manufacturer	Scale Type	Model			Scale Pitch μm	Resolution nm	Maximum Speed*3 m/s	Hall Sensor Input	Linear Motor	Fully-closed Loop Control
			Scale	Sensor Head	Interpolator (serial converter unit)						
1Vp-p Analog Voltage*1	HEIDENHAIN Corporation	Open Type	LIDA48□		(JZDP-D003/-D006)	20	78.1	5	√	√	√
					(JZDP-G003/-G006)		4.9	2	√	√	—
	Renishaw plc*4	Open Type	RGS20	RGH22B	(JZDP-D003/-D006)	4	15.6	1	√	√	√
					(JZDP-G003/-G006)		1.0	0.4	√	*5	—
Applicable for Yaskawa's Serial Interface*2 (Σ-LINK)	Magnescale Co., Ltd.	Open Type	SL7□0	PL101-RY		800	97.7	5	—	√	√
				PL101	MJ620-T13				√	√	—
		Sealed Type	SR75-□□□□□LF	—	80	9.8	3.33	—	√	√	
			SR75-□□□□□MF	—	80	78.1	3.33	—	√	√	
			SR85-□□□□□LF	—	80	9.8	3.33	—	√	√	
			SR85-□□□□□MF	—	80	78.1	3.33	—	√	√	

◆ Absolute Linear Scale

Output Signal	Manufacturer	Scale Type	Model			Scale Pitch μm	Resolution nm	Maximum Speed*3 m/s	Hall Sensor Input	Linear Motor	Fully-closed Loop Control
			Scale	Sensor Head	Interpolator						
Applicable for Yaskawa's Serial Interface*2 (Σ-LINK)	Magnescale Co., Ltd.	Sealed Type	SR77-□□□□□LF	—	—	80	9.8	3.33	—	√	√
			SR77-□□□□□MF	—	—	80	78.1	3.33	—	√	√
			SR87-□□□□□LF	—	—	80	9.8	3.33	—	√	√
			SR87-□□□□□MF	—	—	80	78.1	3.33	—	√	√
	Mitutoyo Corporation	Open Type	ST781A	—	—	256	500	5	—	√	√
			ST782A	—	—	256	500	5	—	√	√
			ST783A	—	—	51.2	100	5	—	√	√
			ST784A	—	—	51.2	100	5	—	√	√
			ST788A	—	—	51.2	100	5	—	√	√
	ST789A*6	—	—	25.6	50	5	—	√	√		
	HEIDENHAIN Corporation	Open Type	LIC4100 Series		EIB3391Y	—	5	5	—	√	√

◆ Absolute Rotary Scale

Output Signal	Manufacturer	Scale Type	Model		Scale Pitch μm	Resolution Bits	Maximum Speed*3 m/s	Linear Motor	Fully-closed Loop Control
			Scale	Sensor Head					
Applicable for Yaskawa's Serial Interface (Σ-LINK)	Magnescale Co., Ltd.	Sealed Type	RU77-4096ADF		—	20	2000	—	√
			RU77-4096AFFT01		—	22	2000	—	√

*1: The use of Yaskawa serial converter units is required. Output signals are divided into 256 (8-bits multiplier) or 4096 (12-bits multiplier) in the serial converter units.

*2: Each linear scale has a different multiplier (number of divisions). Before use, write the parameters of the linear servomotors into the linear scales.

*3: The maximum speed shown is for the linear scale when combined with a Yaskawa SERVOPACK.

Either the maximum speed of the linear servomotor or that of the linear scale in this table limits the maximum speed.

*4: If the zero-point signal is used with the Renishaw linear scale, the accuracy might be affected, and the zero point might be detected as being at a different position. If so, use BID and DIR signals to send the zero point in one direction.

*5: Contact your Yaskawa representative.

*6: For details, contact Mitutoyo Corporation.

Note: 1 Before using the linear scales, contact the manufacturer of the scale for specifications including accuracy, dimensions, and recommended operating conditions.

2 Σ-LINK is a registered trademark of Yaskawa Electric.

I N D E X

Servomotors



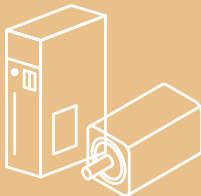
■ Rotary Servomotors	4
■ Direct Drive Servomotors	144
■ Linear Servomotors	178
■ Linear Sliders	256

SERVOPACKs



■ SERVOPACKs with AC Power Input	268
■ Options for SERVOPACKs with AC Power Input	380
■ SERVOPACKs with DC Power Input	394

Others



■ Selecting Servomotor Capacity and Regenerative Capacity	434
■ Connection to Host Controller	449
■ International Standards	454
■ Warranty	455

Servomotors

Rotary Servomotors

SGMMV	(Low inertia, ultra-small capacity)	4
SGMJV	(Medium inertia, small capacity)	24
SGMAV	(Low inertia, small capacity)	46
SGMPS	(Medium inertia, small capacity, flat type)	70
SGMGV	(Medium inertia, medium capacity)	94
SGMSV	(Low inertia, medium capacity)	116
Rotary Servomotor General Instructions		134

Direct Drive Servomotors

SGMCS	(Small capacity, coreless/Medium capacity, with core)	144
SGMCV	(Small capacity, with core)	164

Linear Servomotors

SGLGW	(Coreless type)	178
SGLFW	(With F-type iron core)	198
SGLTW	(With T-type iron core)	218
Linear Servomotor General Instructions		246

Linear Sliders

Σ -Trac- μ	(SGTMM)	256
-----------------------	---------	-----

Rotary Motors

Rotary Servomotors

SGMMV 4

Model Designations	4
Features	5
Application Examples	5
Ratings and Specifications	6
External Dimensions Units: mm	10
Selecting Cables for SERVOPACKs with DC Power Input	13
Selecting Cables for SERVOPACKs with AC Power Input	18

SGMJV 24

Model Designations	24
Features and Application Examples	25
Ratings and Specifications	26
External Dimensions Units: mm	29
Selecting Cables	31
With Low-backlash Gears Ratings and Specifications	38
With Low-backlash Gears External Dimensions Units: mm	40

SGMAV 46

Model Designations	46
Features and Application Examples	47
Ratings and Specifications	48
External Dimensions Units: mm	51
Selecting Cables	53
With Low-backlash Gears Ratings and Specifications	62
With Low-backlash Gears External Dimensions Units: mm	64

SGMPS 70

Model Designations	70
Features and Application Examples	71
Ratings and Specifications	72
External Dimensions Units: mm	75
Selecting Cables	77
With Low-backlash Gears Ratings and Specifications	86
With Low-backlash Gears External Dimensions Units: mm	88
Flange-type With Low-backlash Gears Ratings and Specifications	90
Flange-type With Low-backlash Gears External Dimensions Units: mm	92

SGMGV 94

Model Designations	94
Features and Application Examples	95
Ratings and Specifications	96
External Dimensions Units: mm	99
Selecting Cables (SGMGV-03/-05)	106
Selecting Cables (SGMGV-09 to -1E)	108
Selecting Cables	112

SGMSV 116

Model Designations	116
Features and Application Examples	117
Ratings and Specifications	118
External Dimensions Units: mm	121
Selecting Cables	125

Rotary Servomotor General Instructions 134

Precautions on Servomotor Installation	134
Cable Connections to SGMJV, SGMAV and SGMPS Servomotors	136
Cable Connections to SGMGV-03/-05 Servomotors	137
Mechanical Specifications	138
Rotor Moment of Inertia	138
Servomotor Heat Dissipation Conditions	139
Holding Brake Delay Time	140
Terms for Servomotors with Gears	141
Cables	142
Battery Case	143

Direct Drive Servomotors

SGMCS 144

Model Designations	144
Features and Application Examples	145
Rated Torque/Peak Torque	145
Ratings and Specifications	146
Mechanical Specifications	149
External Dimensions Units: mm	150
Selecting Cables	156

SGMCV 164

Model Designations	164
Features and Application Examples	165
Rated Torque/Peak Torque	165
Ratings and Specifications	166
Mechanical Specifications	168
External Dimensions Units: mm	169
Selecting Cables	172

Linear

Linear Servomotors

SGLGW (Coreless Type) 178

Model Designations 178
 Features and Application Examples 179
 Ratings and Specifications 180
 External Dimensions Units: mm 184
 Selecting Cables 195

SGLFW (With F-type iron core) 198

Model Designations 198
 Features and Application Examples 199
 Ratings and Specifications 200
 External Dimensions Units: mm 202
 Selecting Cables 213

SGLTW (With T-type iron core) 218

Model Designations 218
 Features and Application Examples 219
 Ratings and Specifications 220
 External Dimensions Units: mm 223
 Selecting Cables 241

Linear Servomotor General Instructions 246

Serial Converter Unit (Model: JZDP-□00□-□□□-E) 246
 Linear Scales for Yaskawa's Serial Interface 252
 Flexible Cables 255

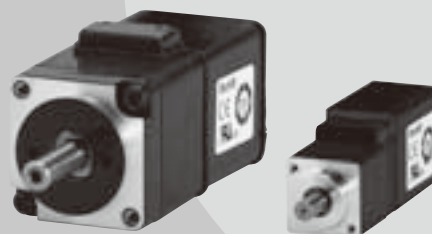
Linear Sliders

Σ -Trac- μ 256

Model Designations 256
 Features and Application Examples 257
 Model Classification 257
 SGTMM Linear Sliders 258
 Selecting Cables and Connectors 262

Rotary Servomotors

SGMMV



Model Designations

SGMMV - A1 A 2 A 2 1

Σ-Vmini Series Servomotor SGMMV
1st+2nd digits
3rd digit
4th digit
5th digit
6th digit
7th digit

1st+2nd digits Rated Output

Code	Specifications
B3	3.3 W
B5	5.5 W
B9	11 W
A1	10 W
A2	20 W
A3	30 W

5th digit Design Revision Order

Code	Specifications
A	Standard

7th digit Options

Code	Specifications
1	Without options
C	With holding brake (24 VDC, flange size: 25 mm×25 mm)

6th digit Shaft End

Code	Specifications
2	Straight (Standard)
A	Straight with flat seats (Optional)

3rd digit Power Supply Voltage

Code	Specifications
A	200 VAC (Flange size: 25 mm×25 mm)
E	24 VDC/48 VDC*

*: Same for 24 VDC and 48 VDC.
Characteristics vary with the voltage of
the main circuit for SERVOPACKs.

4th digit Serial Encoder

Code	Specifications
2	17-bit absolute

Features

- Ultra-compact, ultra-small capacity
With flange size of 15 mm×15 mm: 3.3 W to 11 W
With flange size of 25 mm×25 mm: 10 W to 30 W
- Mounted 17-bit high-resolution absolute serial encoder:
Can be used as an incremental encoder
- Maximum speed: 6,000 min⁻¹
- Wide selection: Two flange sizes, AC or DC power*, and holding brakes*

*: Only the 25 mm×25 mm flange can be used with a 200-VAC power supply or a holding brake.

Application Examples

Equipment

- Semiconductor equipment
- LCD manufacturing equipment
- Electronic parts assembly and electronic parts manufacturing equipment
- Metal processing machines
- Robots
- Assemblers
- Inspection and measurement devices
- Clean systems
- Automated guided vehicles (AGVs)
- Equipment for biomedical

Machinery

- Bonders, probers, IC handlers, chip sorters, and OHT
- Dispensers, scribe, electrode-mounting device, and inspection device
- Mounters, inserters, and solder printers
- Coil winders and spring machinery
- X-Y robots, assembler robots
- Screw tighters

● Precautions when using AC or DC power input

Applicable servomotors, SERVOPACKs, and cables differ depending on if AC or DC power is used. Refer to the relevant pages and be sure to select the correct models.

With DC power

Applicable servomotors: SGMMV-□□E
Applicable SERVOPACKs: SGDV-□□□E

- Refer to page M-15 for information on combining servomotors and SERVOPACKs.
- Refer to pages 13 to 17 for information on selecting servomotor cables.

With AC power

Applicable servomotors: SGMMV-□□A
Applicable SERVOPACKs: SGDV-□□□F and SGDV-□□□A

- Refer to page M-14 for information on combining servomotors and SERVOPACKs.
- Refer to pages 18 to 22 for information on selecting servomotor cables.

Ratings and Specifications

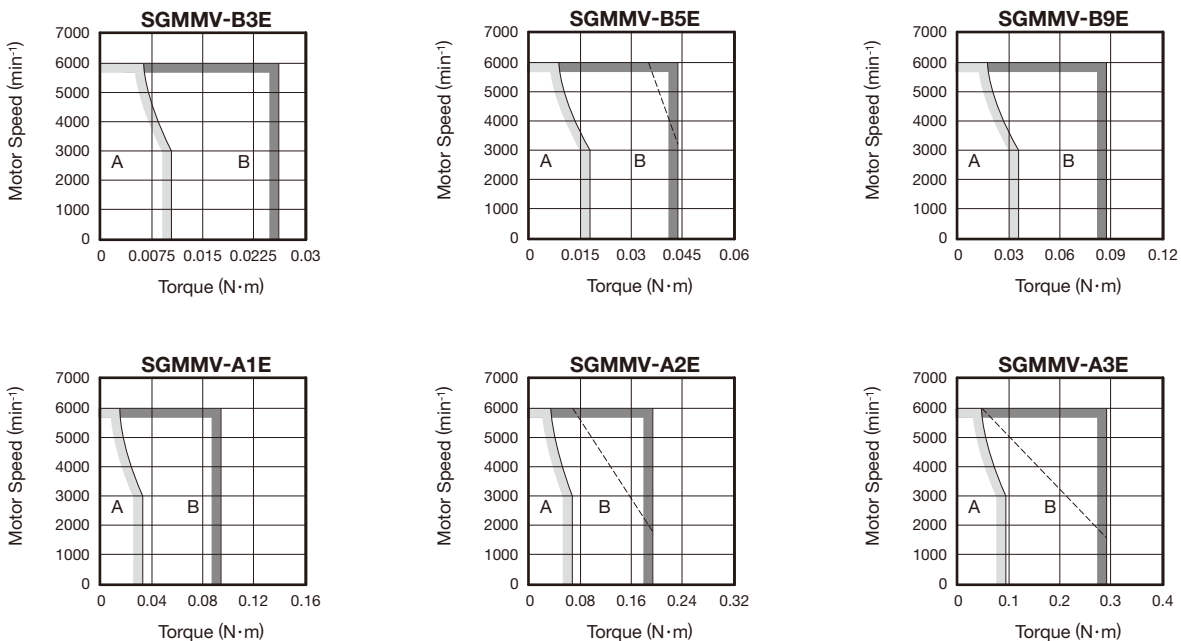
Time Rating: Continuous
Vibration Class: V15
Insulation Resistance: 500 VDC, 10 MΩ min.
Ambient Temperature: 0 to 40°C
Excitation: Permanent magnet
Mounting: Flange-mounted
Thermal Class: 15 mm×15 mm B (UL: A)
 25 mm×25 mm B
Withstand Voltage: 600 VAC for one minute

Enclosure: 15 mm×15 mm: Totally enclosed, self-cooled, IP42 (except for shaft opening)
 25 mm×25 mm: Totally enclosed, self-cooled, IP55 (except for shaft opening)
Ambient Humidity: 20% to 80% (no condensation)
Drive Method: Direct drive
Rotation Direction: Counterclockwise (CCW) with forward run reference when viewed from the load side

Voltage		24 VDC/48 VDC*3					
Servomotor Model: SGMMV-□□□□		B3E	B5E	B9E	A1E	A2E	A3E
Rated Output*1	W	3.3	5.5	11	10	20	30
Rated Torque*1, *2	N·m	0.0105	0.0175	0.0350	0.0318	0.0637	0.0955
Instantaneous Peak Torque*1	N·m	0.0263	0.0438	0.0875	0.0955	0.191	0.286
Rated Current*1	Arms	1.5	1.5	1.7	2.1	2.0	2.9
Instantaneous Max. Current*1	Arms	3.6	3.7	4.1	6.1	5.8	8.6
Rated Speed*1	min ⁻¹	3000					
Max. Speed*1	min ⁻¹	6000					
Torque Constant	N·m/Arms	0.00814	0.0132	0.0241	0.0172	0.0358	0.0358
Rotor Moment of Inertia	kg·m ²	4.41×10 ⁻⁸	7.96×10 ⁻⁸	2.21×10 ⁻⁷	2.72×10 ⁻⁷ (4.07×10 ⁻⁷)	4.66×10 ⁻⁷ (6.02×10 ⁻⁷)	6.68×10 ⁻⁷ (8.04×10 ⁻⁷)
Rated Power Rate*1	kW/s	2.50	3.85	5.54	3.72	8.71	13.7
Rated Angular Acceleration*1	rad/s ²	238000	220000	158000	117000	137000	143000
Flange Size	mm	15×15			25×25		
Applicable SERVOPACK	SGDV-□□□□	1R7E			2R9E		

*1: These items and torque-motor speed characteristics quoted in combination with an SGDV SERVOPACK are at an armature winding temperature of 100°C. Other values quoted are at 20°C.
 *2: Rated torques are continuous allowable torque values at 40°C with an aluminum heat sink of the following dimensions attached.
 SGMMV-B3E, -B5E, -B9E, -A1E, -A2E: 150 mm×150 mm×3 mm
 SGMMV-A3E : 250 mm×250 mm×6 mm
 *3: Torque-speed characteristics differ depending on if a 24 VDC or a 48 VDC is used for the main circuit for the SERVOPACK.
 Note: The values in parentheses are for servomotors with holding brakes.

● Torque-Motor Speed Characteristics [A]: Continuous Duty Zone [B]: Intermittent Duty Zone



Notes: 1 The characteristics of the intermittent duty zone differ depending on the supply voltage.
 Solid lines indicate characteristics when a 48-VDC power supply is applied to the main circuit of the SERVOPACK, and dotted lines indicate characteristics when a 24 VDC is applied.
 For SGMMV-B3E, -B9E, -A1E SERVOPACKs, characteristics are the same for both 24-VDC or 48-VDC versions.
 2 When the effective torque is within the rated torque, the servomotor can be used within the intermittent duty zone.

Ratings and Specifications

Time Rating: Continuous
Vibration Class: V15
Insulation Resistance: 500 VDC, 10 MΩ min.
Ambient Temperature: 0 to 40°C
Excitation: Permanent magnet
Mounting: Flange-mounted
Thermal Class: B

Withstand Voltage: 1500 VAC for one minute
Enclosure: Totally enclosed, self-cooled, IP55
 (except for shaft opening)
Ambient Humidity: 20% to 80% (no condensation)
Drive Method: Direct drive
Rotation Direction: Counterclockwise (CCW) with forward run
 reference when viewed from the load side

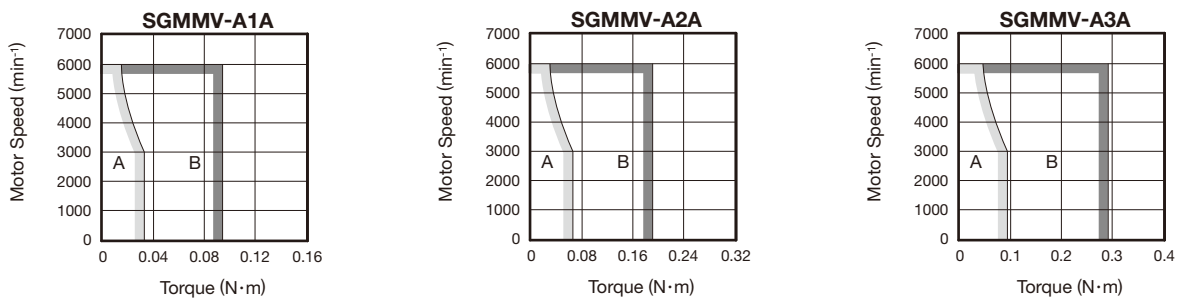
Voltage		200 VAC		
Servomotor Model: SGMMV-□□□□		A1A	A2A	A3A
Rated Output*1	W	10	20	30
Rated Torque*1, *2	N·m	0.0318	0.0637	0.0955
Instantaneous Peak Torque*1	N·m	0.0955	0.191	0.286
Rated Current*1	Arms	0.70	0.66	0.98
Instantaneous Max. Current*1	Arms	2.0	1.9	2.9
Rated Speed*1	min ⁻¹	3000		
Max. Speed*1	min ⁻¹	6000		
Torque Constant	N·m/Arms	0.0516	0.107	0.107
Rotor Moment of Inertia	kg·m ²	2.72×10 ⁻⁷ (4.07×10 ⁻⁷)	4.66×10 ⁻⁷ (6.02×10 ⁻⁷)	6.68×10 ⁻⁷ (8.04×10 ⁻⁷)
Rated Power Rate*1	kW/s	3.72	8.71	13.7
Rated Angular Acceleration*1	rad/s ²	117000	137000	143000
Flange Size	mm	25×25		
Applicable SERVOPACK	SGDV-□□□□□	R90□		1R6A, 2R1F

*1: These items and torque-motor speed characteristics quoted in combination with an SGDV SERVOPACK are at an armature winding temperature of 100°C. Other values quoted are at 20°C.

*2: Rated torques are continuous allowable torque values at 40°C with an aluminum heat sink of the following dimensions attached.
 SGMMV-A1A, -A2A: 150 mm×150 mm×3 mm
 SGMMV-A3A : 250 mm×250 mm×6 mm

Note: The values in parentheses are for servomotors with holding brakes.

● Torque-Motor Speed Characteristics A : Continuous Duty Zone B : Intermittent Duty Zone



Notes: 1 The characteristics of the intermittent duty zone differ depending on the supply voltage.

2 When the effective torque is within the rated torque, the servomotor can be used within the intermittent duty zone.

Ratings and Specifications

● Holding Brake Electrical Specifications

Holding Brake Rated Voltage	Servomotor Model	Servomotor Rated Output W	Holding Brake Specifications					
			Capacity W	Holding Torque N·m	Coil Resistance Ω (at 20°C)	Rated Current A(at 20°C)	Brake Release Time ms	Brake Operation Time ms
24 VDC $^{+10\%}_0$	SGMMV-A1E	10	2.0	0.0318	320	0.075	40	100
	SGMMV-A1A							
	SGMMV-A2E	20	2.6	0.0637	221.5	0.108	40	100
	SGMMV-A2A							
	SGMMV-A3E	30	2.6	0.0955	221.5	0.108	40	100
	SGMMV-A3A							

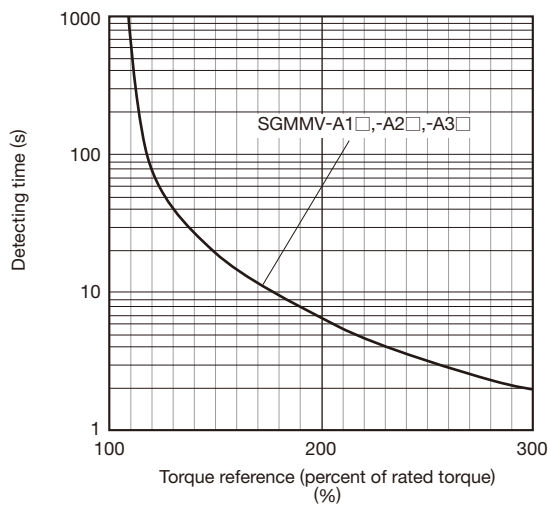
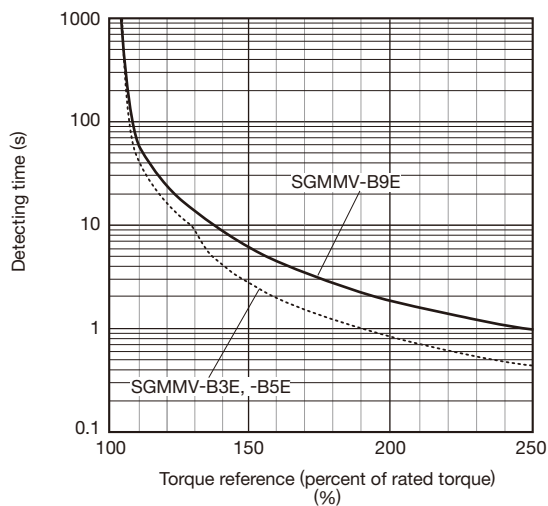
Notes:1 The holding brake is only used to hold the load and cannot be used to stop the servomotor.

2 The holding brake open time and holding brake operation time vary depending on which discharge circuit is used. Make sure holding brake open time and holding brake operation time are correct for your servomotor.

3 A 24-VDC power supply is not included.

● Overload Characteristics

The overload detection level is set under hot start conditions at a servomotor ambient temperature of 40°C.



Note: Overload characteristics shown above do not guarantee continuous duty of 100% or more output. Use a servomotor with effective torque within the continuous duty zone of *Torque-Motor Speed Characteristics*.

Ratings and Specifications

● **Allowable Load Moment of Inertia at the Motor Shaft**

The rotor moment of inertia ratio is the value for a servomotor without a gear and a holding brake.

Servomotor Model		Servomotor Rated Output	Allowable Load Moment of Inertia (Rotor Moment of Inertia Ratio)
SGMMV-	B3	3.3 W	30 times
	B5	5.5 W	
	B9	11 W	
	A1	10 W	
	A2	20 W	
	A3	30 W	

● **Load Moment of Inertia**

The larger the load moment of inertia, the worse the movement response.

The allowable load moment of inertia (J_L) depends on the motor capacity, as shown above. This value is provided strictly as a guideline and results may vary depending on servomotor drive conditions.

Use the AC servo drive capacity selection program SigmaSize+ to check the operation conditions.

The program can be downloaded for free from our web site (<http://www.e-mechatronics.com/>).

An overvoltage alarm (A.400) is likely to occur during deceleration if the load moment of inertia exceeds the allowable load moment of inertia. Take one of the following steps if this occurs.

- Reduce the torque limit.
- Reduce the deceleration rate.
- Reduce the maximum speed.

● **Allowable Radial and Thrust Loads**

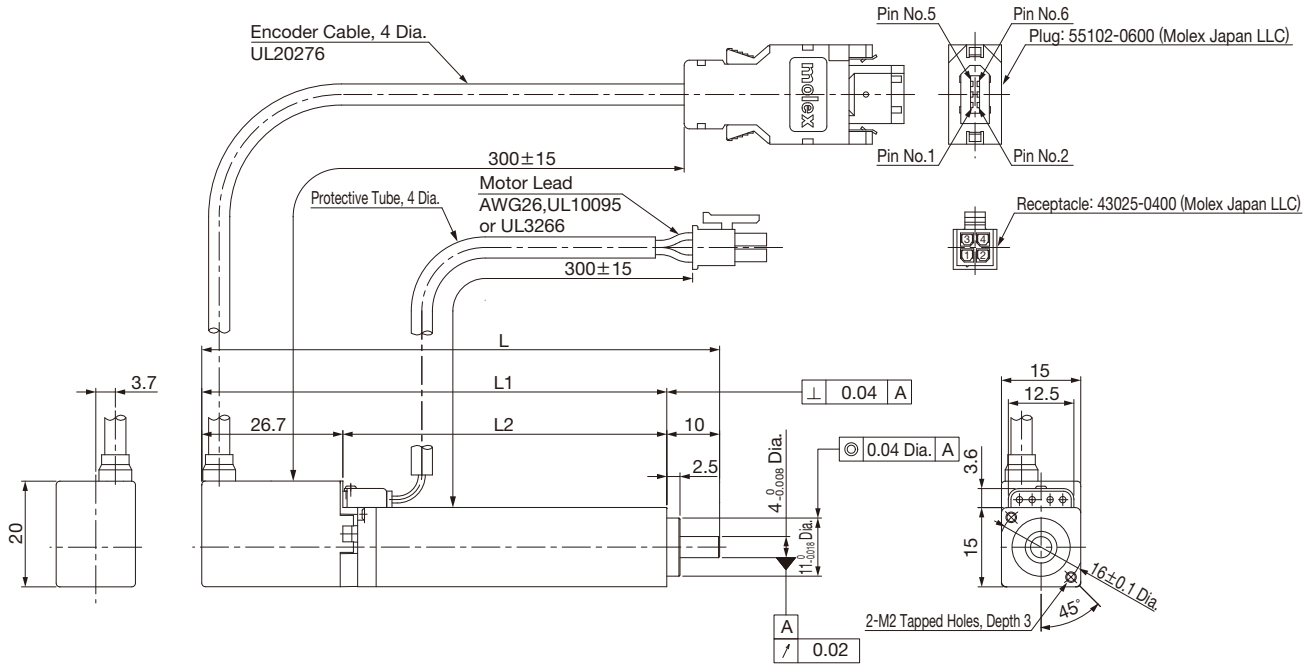
Design the mechanical system so thrust and radial loads applied to the servomotor shaft end during operation fall within the ranges shown in the table.

Servomotor Model		Allowable Radial Load (F_r) N	Allowable Thrust Load (F_s) N	LF mm	Reference Diagram
SGMMV-	B3	8	4	10	
	B5	8	4	10	
	B9	10	4	10	
	A1	34	14.5	16	
	A2	44	14.5	16	
	A3	44	14.5	16	

External Dimensions Units: mm

● Without Holding Brakes

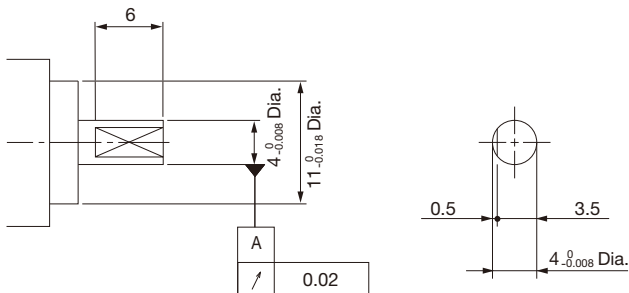
(1) 3.3 to 11 W



Model SGMMV-	L	L1	L2	Approx. Mass kg
B3E2A□1	58	48	21.3	0.055
B5E2A□1	64	54	27.3	0.06
B9E2A□1	98	88	61.3	0.1

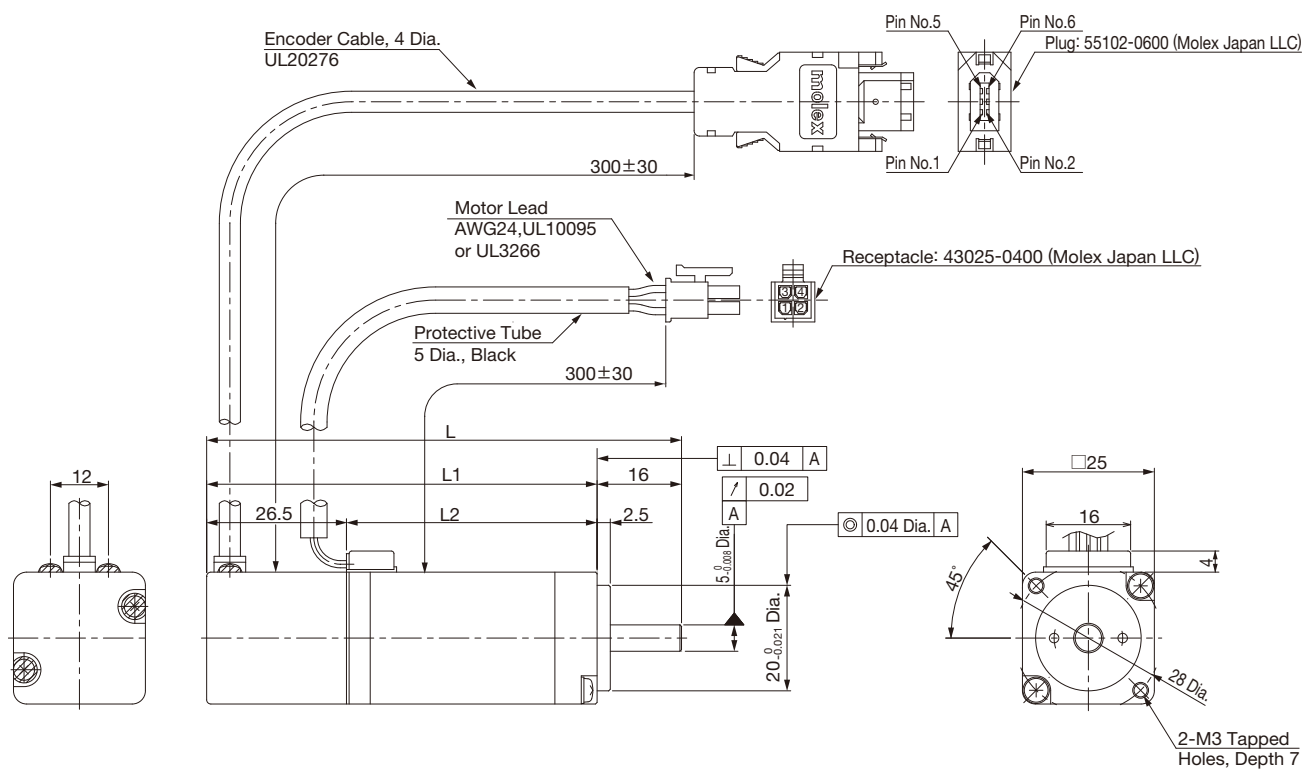
<Shaft End>

● With a Flat Seat



External Dimensions Units: mm

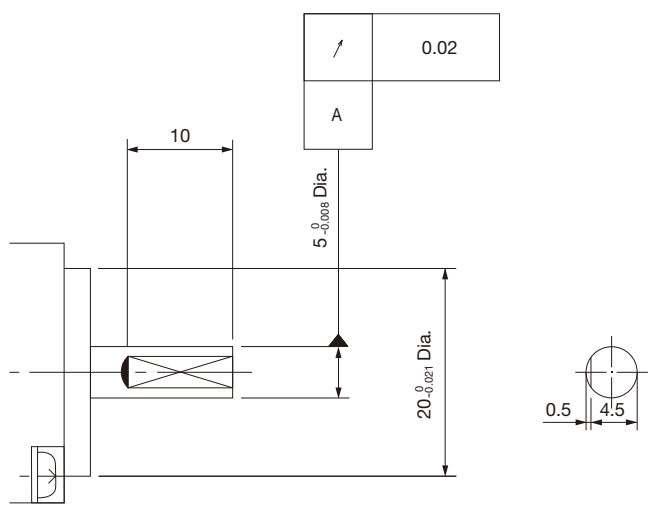
(2) 10 to 30 W



Model SGMMV-	L	L1	L2	Approx. Mass kg
A1□2A□1	70	54	27.5	0.13
A2□2A□1	80	64	37.5	0.17
A3□2A□1	90	74	47.5	0.21

<Shaft End>

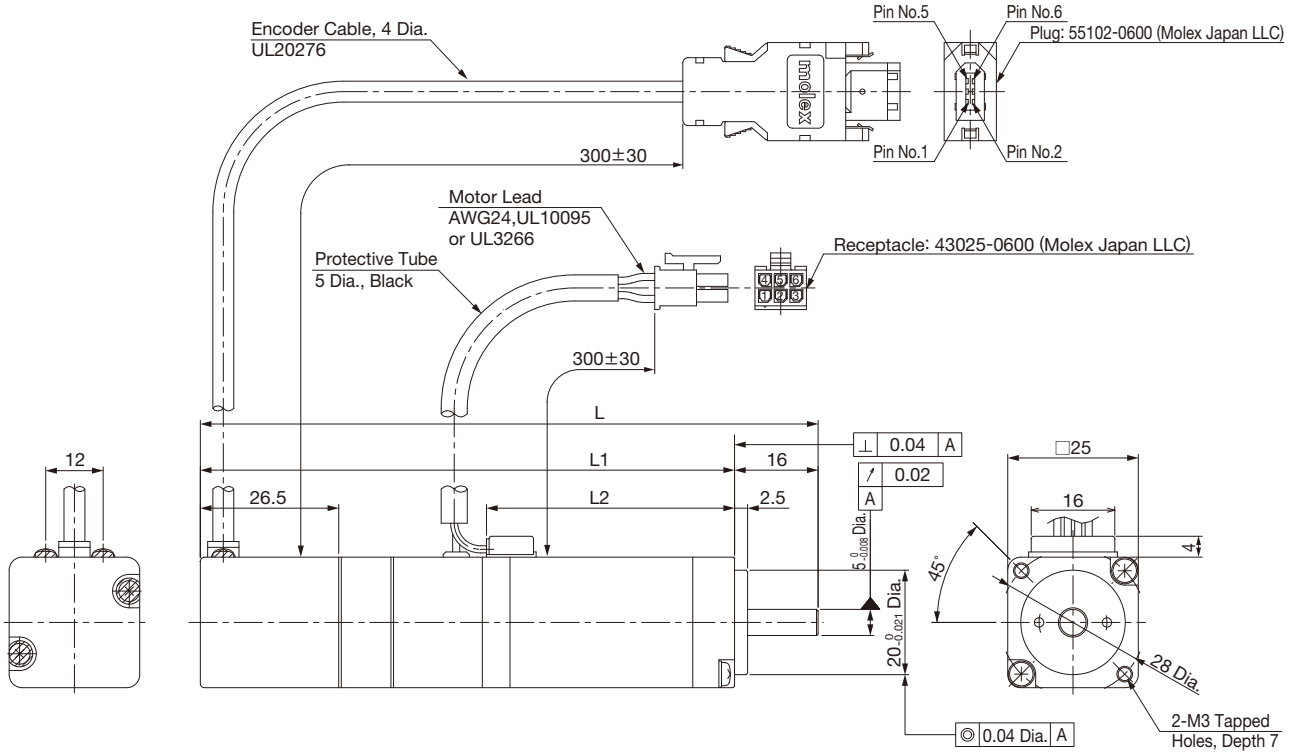
- With a Flat Seat



External Dimensions Units: mm

● With Holding Brakes

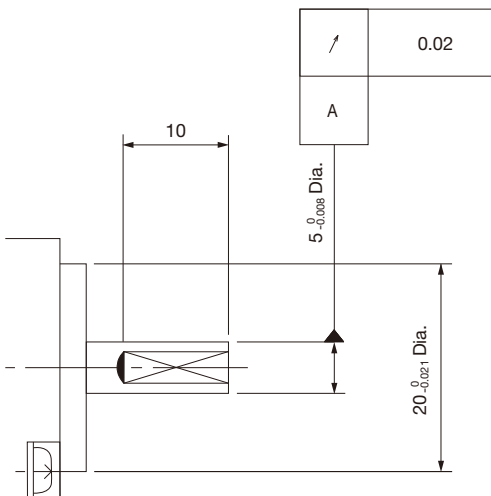
(1) 10 to 30 W



Model SGMMV-	L	L1	L2	Approx. Mass kg
A1□2A□C	94.5	78.5	27.5	0.215
A2□2A□C	108.5	92.5	37.5	0.27
A3□2A□C	118.5	102.5	47.5	0.31

<Shaft End>

● With a Flat Seat

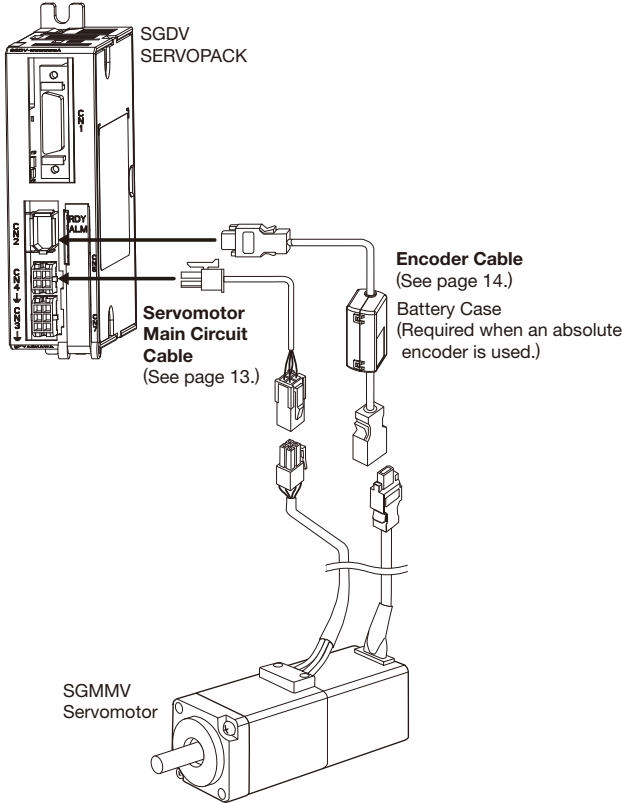


Selecting Cables for SERVOPACKs with DC Power Input

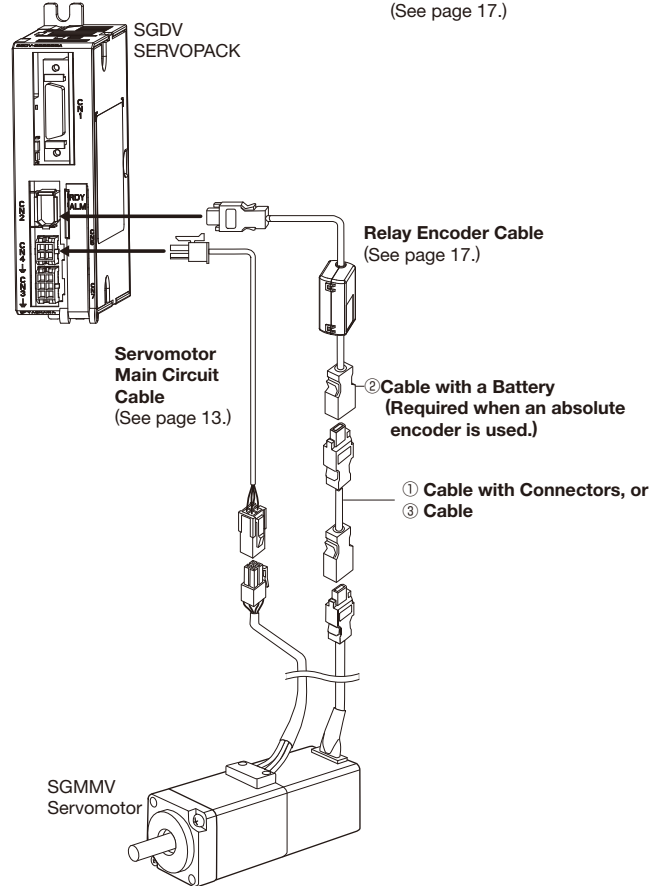
Note: Refer to page 18 for information on cables for SERVOPACKs with AC power input.

Examples of Cable Connections

Standard Wiring (Max. encoder cable length: 20 m)



Encoder Cable Extension from 30 to 50 m (See page 17.)



CAUTION

- Separate the servomotor main circuit cable wiring from the I/O signal cable and encoder cable at least 30 cm, and do not bundle or run them in the same duct.
- When the cable length exceeds 20 m, be sure to use a relay encoder cable.
- If the main circuit cable for the servomotor causes the line-to-line voltage to drop, the intermittent duty zone of the torque-motor speed characteristics may become smaller.

Servomotor Main Circuit Cable

Name	Length	Order No.		Specifications	Details
		Standard Type	Flexible Type*		
For Servomotor without Holding Brakes	3 m	JZSP-CF1M00-03-E	JZSP-CF1M20-03-E		(1)
	5 m	JZSP-CF1M00-05-E	JZSP-CF1M20-05-E		
	10 m	JZSP-CF1M00-10-E	JZSP-CF1M20-10-E		
	15 m	JZSP-CF1M00-15-E	JZSP-CF1M20-15-E		
	20 m	JZSP-CF1M00-20-E	JZSP-CF1M20-20-E		
	30 m	JZSP-CF1M00-30-E	JZSP-CF1M20-30-E		
	40 m	JZSP-CF1M00-40-E	JZSP-CF1M20-40-E		
	50 m	JZSP-CF1M00-50-E	JZSP-CF1M20-50-E		
For Servomotor with Holding Brakes	3 m	JZSP-CF1M10-03-E	JZSP-CF1M30-03-E		(2)
	5 m	JZSP-CF1M10-05-E	JZSP-CF1M30-05-E		
	10 m	JZSP-CF1M10-10-E	JZSP-CF1M30-10-E		
	15 m	JZSP-CF1M10-15-E	JZSP-CF1M30-15-E		
	20 m	JZSP-CF1M10-20-E	JZSP-CF1M30-20-E		
	30 m	JZSP-CF1M10-30-E	JZSP-CF1M30-30-E		
	40 m	JZSP-CF1M10-40-E	JZSP-CF1M30-40-E		
	50 m	JZSP-CF1M10-50-E	JZSP-CF1M30-50-E		

*: Use flexible cables for movable sections such as robot arms.

Selecting Cables for SERVOPACKs with DC Power Input

(1) Wiring Specifications for Servomotors without Holding Brakes

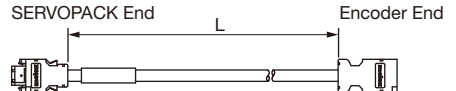
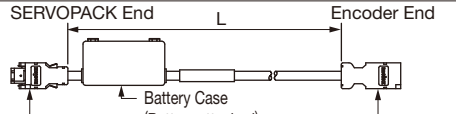
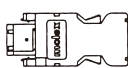
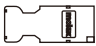

SERVOPACK End		Servomotor End	
Pin No.	Signal	Signal	Pin No.
1	Phase U	Phase U	1
2	Phase V	Phase V	2
3	Phase W	Phase W	3
4	FG	FG	4

(2) Wiring Specifications for Servomotor with Holding Brakes

SERVOPACK End		Servomotor End	
Pin No.	Signal	Signal	Pin No.
1	Phase U	Phase U	1
2	Phase V	Phase V	2
3	Phase W	Phase W	3
4	FG	FG	4
Ring terminal	Brake	Brake	5
Ring terminal	Brake	Brake	6

Note: No polarity for connection to a holding brake.

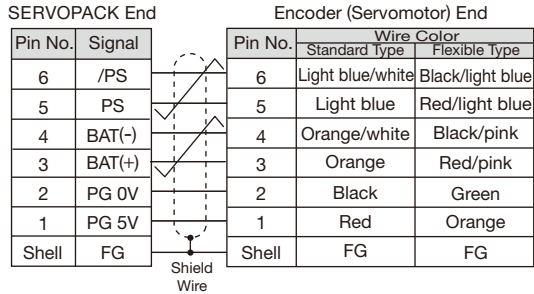
● Encoder Cables (Length: 20 m or less)

Name	Length	Order No.		Specifications	Details
		Standard Type	Flexible Type*		
Cable with Connectors (For Incremental Encoder)	3 m	JZSP-CMP00-03-E	JZSP-CMP10-03-E	 SERVOPACK End L Encoder End Connector (Crimped) (Molex Japan LLC) Socket Connector (Soldered) (Molex Japan LLC)	(1)
	5 m	JZSP-CMP00-05-E	JZSP-CMP10-05-E		
	10 m	JZSP-CMP00-10-E	JZSP-CMP10-10-E		
	15 m	JZSP-CMP00-15-E	JZSP-CMP10-15-E		
	20 m	JZSP-CMP00-20-E	JZSP-CMP10-20-E		
Cable with Connectors (For Absolute Encoder, with a Battery Case)	3 m	JZSP-CSP19-03-E	JZSP-CSP29-03-E	 SERVOPACK End L Encoder End Connector (Crimped) (Molex Japan LLC) Battery Case (Battery attached) Socket Connector (Soldered) (Molex Japan LLC)	(2)
	5 m	JZSP-CSP19-05-E	JZSP-CSP29-05-E		
	10 m	JZSP-CSP19-10-E	JZSP-CSP29-10-E		
	15 m	JZSP-CSP19-15-E	JZSP-CSP29-15-E		
	20 m	JZSP-CSP19-20-E	JZSP-CSP29-20-E		
SERVOPACK-end Connector Kit		JZSP-CMP9-1-E		Soldered 	(3)
Encoder-end Connector Kit		JZSP-CMP9-2-E		Soldered 	
Cables	5 m	JZSP-CMP09-05-E	JZSP-CSP39-05-E	20 m Max. 	(4)
	10 m	JZSP-CMP09-10-E	JZSP-CSP39-10-E		
	15 m	JZSP-CMP09-15-E	JZSP-CSP39-15-E		
	20 m	JZSP-CMP09-20-E	JZSP-CSP39-20-E		

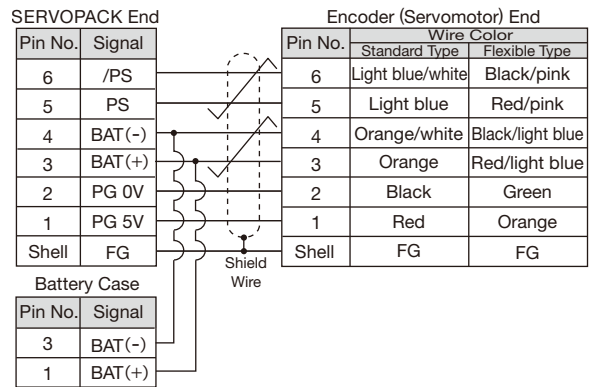
*: Use flexible cables for movable sections such as robot arms.

Selecting Cables for SERVOPACKs with DC Power Input

**(1) Wiring Specifications for Cable with Connectors
(For incremental encoder)**



**(2) Wiring Specifications for Cable with Connectors
(For absolute encoder, with a battery case)**

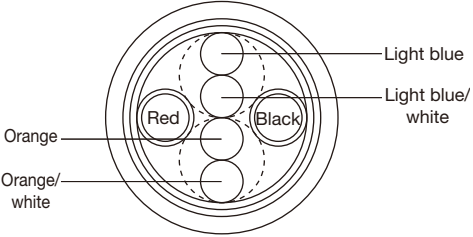
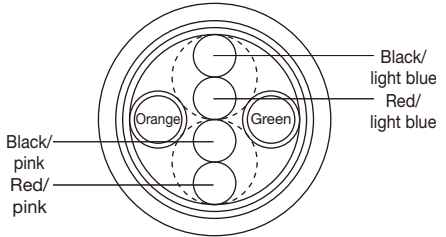


(3) SERVOPACK-end/Encoder-end Connector Kit Specifications

Items	SERVOPACK-end Connector Kit	Encoder-end Connector Kit
Order No.	JZSP-CMP9-1-E (Cables are not included.)	JZSP-CMP9-2-E (Cables are not included.)
Manufacturer	Molex Japan LLC	Molex Japan LLC
Specifications	55100-0670 (soldered) Product Specification: PS-54280	54280-0609 (soldered) Product Specification: PS-54280
External Dimensions mm		

Selecting Cables for SERVOPACKs with DC Power Input

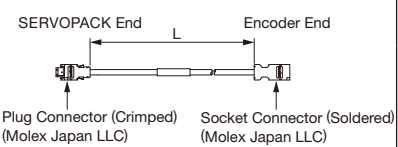
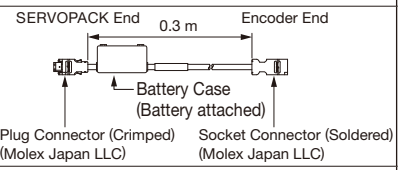

(4) Cable Specifications

Items	Standard Type	Flexible Type
Order No.*	JZSP-CMP09-□□-E	JZSP-CSP39-□□-E
Cable Length	20 m max.	
Specifications	UL20276 (Rating temperature: 80°C) AWG22×2C+AWG24×2P AWG22 (0.33 mm ²) Outer diameter of insulating sheath: 1.15 dia. mm AWG24 (0.20 mm ²) Outer diameter of insulating sheath: 1.09 dia. mm	UL20276 (Rating temperature: 80°C) AWG22×2C+AWG24×2P AWG22 (0.33 mm ²) Outer diameter of insulating sheath: 1.35 dia. mm AWG24 (0.20 mm ²) Outer diameter of insulating sheath: 1.21 dia. mm
Finished Dimensions	6.5 dia. mm	6.8 dia. mm
Internal Configuration and Lead Color		
Yaskawa Standards Specifications (Standard Length)	Cable length: 5 m, 10 m, 15 m, 20 m	

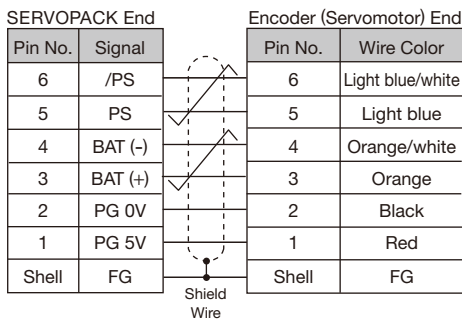
*: Specify the cable length in □□ of order no.
 Example: JZSP-CMP09-05-E (5 m)

Selecting Cables for SERVOPACKs with DC Power Input

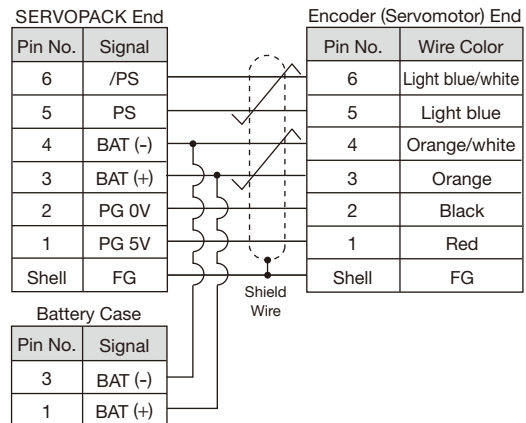
● Relay Encoder Cables (For extending from 30 to 50 m)

Name	Length	Order No. Standard Type	Specifications	Details
① Cable with Connectors (For incremental and absolute encoder)	30 m	JZSP-UCMP00-30-E		(1)
	40 m	JZSP-UCMP00-40-E		
	50 m	JZSP-UCMP00-50-E		
② Cable with a Battery Case (Required when an absolute encoder is used)	0.3 m	JZSP-CSP12-E		(2)
③ Cables	30 m	JZSP-CMP19-30-E		(3)
	40 m	JZSP-CMP19-40-E		
	50 m	JZSP-CMP19-50-E		

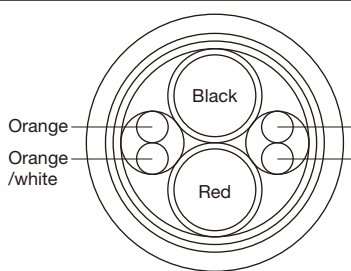
(1) Wiring Specifications for Cable with Connectors



(2) Wiring Specifications for Cable with a Battery Case



(3) Cable Specifications

Item	Standard Type
Order No.*	JZSP-CMP19-□□-E
Cable Length	50 m max.
Specifications	UL20276 (Rating temperature: 80°C) AWG16×2C+AWG26×2P AWG16 (1.31 mm ²) Outer diameter of insulating sheath: 2.0 dia. mm AWG26 (0.13 mm ²) Outer diameter of insulating sheath: 0.91 dia. mm
Finished Dimensions	6.8 dia. mm
Internal Configuration and Lead Colors	
Yaskawa Standard Specifications (Standard Length)	Cable length: 30 m, 40 m, 50 m

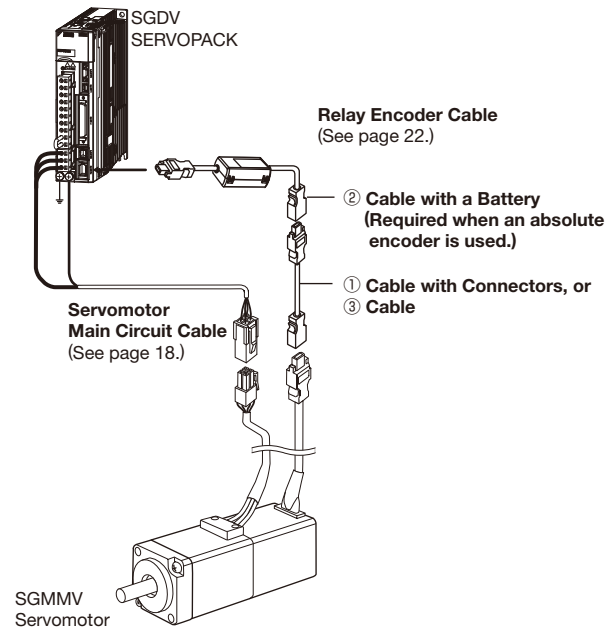
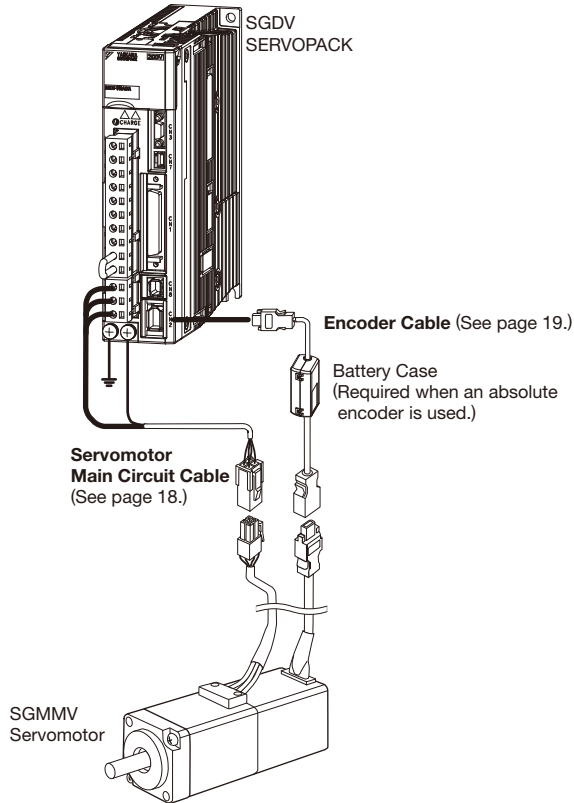
*: Specify the cable length in □□ of order no.
Example: JZSP-CMP19-30-E (30 m)

Selecting Cables for SERVOPACKs with AC Power Input

● Examples of Cable Connections

● Standard Wiring (Max. encoder cable length: 20 m)

● Encoder Cable Extension from 30 to 50 m
(See page 22.)



⚠ CAUTION

- Separate the servomotor main circuit cable wiring from the I/O signal cable and encoder cable at least 30 cm, and do not bundle or run them in the same duct.
- When the cable length exceeds 20 m, be sure to use a relay encoder cable.
- When the main circuit cable length exceeds 20 m, note that the intermittent duty zone of the *Torque-Motor Speed Characteristics* will shrink as the line-to-line voltage drops.

● Servomotor Main Circuit Cable

Name	Length	Order No.		Specifications	Details
		Standard Type	Flexible Type*		
For Servomotor without Holding Brakes	3 m	JZSP-CF2M00-03-E	JZSP-CF2M20-03-E		(1)
	5 m	JZSP-CF2M00-05-E	JZSP-CF2M20-05-E		
	10 m	JZSP-CF2M00-10-E	JZSP-CF2M20-10-E		
	15 m	JZSP-CF2M00-15-E	JZSP-CF2M20-15-E		
	20 m	JZSP-CF2M00-20-E	JZSP-CF2M20-20-E		
	30 m	JZSP-CF2M00-30-E	JZSP-CF2M20-30-E		
	40 m	JZSP-CF2M00-40-E	JZSP-CF2M20-40-E		
	50 m	JZSP-CF2M00-50-E	JZSP-CF2M20-50-E		
For Servomotor with Holding Brakes	3 m	JZSP-CF2M03-03-E	JZSP-CF2M23-03-E		(2)
	5 m	JZSP-CF2M03-05-E	JZSP-CF2M23-05-E		
	10 m	JZSP-CF2M03-10-E	JZSP-CF2M23-10-E		
	15 m	JZSP-CF2M03-15-E	JZSP-CF2M23-15-E		
	20 m	JZSP-CF2M03-20-E	JZSP-CF2M23-20-E		
	30 m	JZSP-CF2M03-30-E	JZSP-CF2M23-30-E		
	40 m	JZSP-CF2M03-40-E	JZSP-CF2M23-40-E		
	50 m	JZSP-CF2M03-50-E	JZSP-CF2M23-50-E		

*: Use flexible cables for movable sections such as robot arms.

Selecting Cables for SERVOPACKs with AC Power Input

(1) Wiring Specifications for Servomotors without Holding Brakes

SERVOPACK-end Leads		Servomotor-end Connector	
Wire Color	Signal	Signal	Pin No.
Red	Phase U	Phase U	1
White	Phase V	Phase V	2
Blue	Phase W	Phase W	3
Green/yellow	FG	FG	4

(2) Wiring Specifications for Servomotor with Holding Brakes

SERVOPACK-end Leads		Servomotor-end Connector	
Wire Color	Signal	Signal	Pin No.
Red	Phase U	Phase U	1
White	Phase V	Phase V	2
Blue	Phase W	Phase W	3
Green/yellow	FG	FG	4
Black	Brake	Brake	5
Black	Brake	Brake	6

Note: No polarity for connection to a holding brake.

● **Encoder Cables (Length: 20 m or less)**

Name	Length	Order No.		Specifications	Details
		Standard Type	Flexible Type*1		
Cable with Connectors (For Incremental Encoder)	3 m	JZSP-CMP00-03-E	JZSP-CMP10-03-E		(1)
	5 m	JZSP-CMP00-05-E	JZSP-CMP10-05-E		
	10 m	JZSP-CMP00-10-E	JZSP-CMP10-10-E		
	15 m	JZSP-CMP00-15-E	JZSP-CMP10-15-E		
	20 m	JZSP-CMP00-20-E	JZSP-CMP10-20-E		
Cable with Connectors*2 (For Absolute Encoder, with a Battery Case)	3 m	JZSP-CSP19-03-E	JZSP-CSP29-03-E		(2)
	5 m	JZSP-CSP19-05-E	JZSP-CSP29-05-E		
	10 m	JZSP-CSP19-10-E	JZSP-CSP29-10-E		
	15 m	JZSP-CSP19-15-E	JZSP-CSP29-15-E		
	20 m	JZSP-CSP19-20-E	JZSP-CSP29-20-E		
SERVOPACK-end Connector Kit		JZSP-CMP9-1-E		Soldered	(3)
Encoder-end Connector Kit		JZSP-CMP9-2-E		Soldered	
Cables	5 m	JZSP-CMP09-05-E	JZSP-CSP39-05-E	20 m Max.	(4)
	10 m	JZSP-CMP09-10-E	JZSP-CSP39-10-E		
	15 m	JZSP-CMP09-15-E	JZSP-CSP39-15-E		
	20 m	JZSP-CMP09-20-E	JZSP-CSP39-20-E		

*1: Use flexible cables for movable sections such as robot arms.

*2: When the battery is connected to the host controller, no battery case is required. If so, use a cable for incremental encoders.

Selecting Cables for SERVOPACKs with AC Power Input

(1) Wiring Specifications for Cable with Connectors (For incremental encoder)

SERVOPACK End		Encoder (Servomotor) End		
Pin No.	Signal	Pin No.	Wire Color	
			Standard Type	Flexible Type
6	/PS	6	Light blue/white	Black/light blue
5	PS	5	Light blue	Red/light blue
4	BAT(-)	4	Orange/white	Black/pink
3	BAT(+)	3	Orange	Red/pink
2	PG 0V	2	Black	Green
1	PG 5V	1	Red	Orange
Shell	FG	Shell	FG	FG

(2) Wiring Specifications for Cable with Connectors (For absolute encoder, with a battery case)

SERVOPACK End		Encoder (Servomotor) End		
Pin No.	Signal	Pin No.	Wire Color	
			Standard Type	Flexible Type
6	/PS	6	Light blue/white	Black/pink
5	PS	5	Light blue	Red/pink
4	BAT(-)	4	Orange/white	Black/light blue
3	BAT(+)	3	Orange	Red/light blue
2	PG 0V	2	Black	Green
1	PG 5V	1	Red	Orange
Shell	FG	Shell	FG	FG

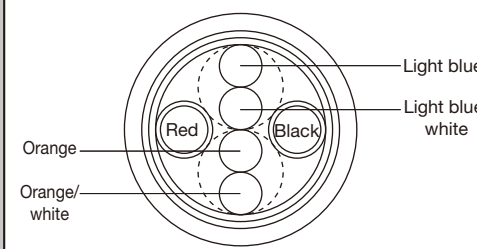
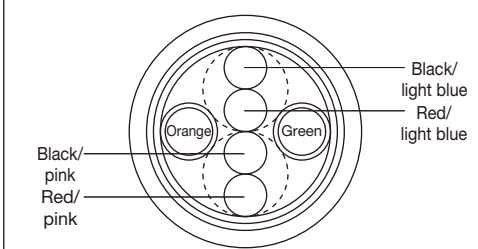
Battery Case	
Pin No.	Signal
3	BAT(-)
1	BAT(+)

(3) SERVOPACK-end/Encoder-end Connector Kit Specifications

Items	SERVOPACK-end Connector Kit	Encoder-end Connector Kit
Order No.	JZSP-CMP9-1-E (Cables are not included.)	JZSP-CMP9-2-E (Cables are not included.)
Manufacturer	Molex Japan LLC	Molex Japan LLC
Specifications	55100-0670 (soldered) Product Specification: PS-54280	54280-0609 (soldered) Product Specification: PS-54280
External Dimensions mm		

Selecting Cables for SERVOPACKs with AC Power Input

(4) Cable Specifications

Items	Standard Type	Flexible Type
Order No.*	JZSP-CMP09-□□-E	JZSP-CSP39-□□-E
Cable Length	20 m max.	
Specifications	UL20276 (Rating temperature: 80°C) AWG22×2C+AWG24×2P AWG22 (0.33 mm ²) Outer diameter of insulating sheath: 1.15 dia. mm AWG24 (0.20 mm ²) Outer diameter of insulating sheath: 1.09 dia. mm	UL20276 (Rating temperature: 80°C) AWG22×2C+AWG24×2P AWG22 (0.33 mm ²) Outer diameter of insulating sheath: 1.35 dia. mm AWG24 (0.20 mm ²) Outer diameter of insulating sheath: 1.21 dia. mm
Finished Dimensions	6.5 dia. mm	6.8 dia. mm
Internal Configuration and Lead Color		
Yaskawa Standards Specifications (Standard Length)	Cable length: 5 m, 10 m, 15 m, 20 m	

*: Specify the cable length in □□ of order no.
 Example: JZSP-CMP09-05-E (5 m)

Selecting Cables for SERVOPACKs with AC Power Input

● Relay Encoder Cables (For extending from 30 to 50 m)

Name	Length	Order No. Standard Type	Specifications	Details
① Cable with Connectors (For incremental and absolute encoder)	30 m	JZSP-UCMP00-30-E		(1)
	40 m	JZSP-UCMP00-40-E		
	50 m	JZSP-UCMP00-50-E		
② Cable with a Battery Case (Required when an absolute encoder is used*)	0.3 m	JZSP-CSP12-E		(2)
③ Cables	30 m	JZSP-CMP19-30-E		(3)
	40 m	JZSP-CMP19-40-E		
	50 m	JZSP-CMP19-50-E		

*: Not required when connecting a battery to the host controller.

(1) Wiring Specifications for Cable with Connectors

SERVOPACK End		Encoder (Servomotor) End	
Pin No.	Signal	Pin No.	Wire Color
6	/PS	6	Light blue/white
5	PS	5	Light blue
4	BAT (-)	4	Orange/white
3	BAT (+)	3	Orange
2	PG 0V	2	Black
1	PG 5V	1	Red
Shell	FG	Shell	FG

Shield Wire

(2) Wiring Specifications for Cable with a Battery Case

SERVOPACK End		Encoder (Servomotor) End	
Pin No.	Signal	Pin No.	Wire Color
6	/PS	6	Light blue/white
5	PS	5	Light blue
4	BAT (-)	4	Orange/white
3	BAT (+)	3	Orange
2	PG 0V	2	Black
1	PG 5V	1	Red
Shell	FG	Shell	FG

Battery Case	
Pin No.	Signal
3	BAT (-)
1	BAT (+)

Shield Wire

(3) Cable Specifications

Item	Standard Type
Order No.*	JZSP-CMP19-□□-E
Cable Length	50 m max.
Specifications	UL20276 (Rating temperature: 80°C) AWG16×2C+AWG26×2P AWG16 (1.31 mm ²) Outer diameter of insulating sheath: 2.0 dia. mm AWG26 (0.13 mm ²) Outer diameter of insulating sheath: 0.91 dia. mm
Finished Dimensions	6.8 dia. mm
Internal Configuration and Lead Colors	
Yaskawa Standard Specifications (Standard Length)	Cable length: 30 m, 40 m, 50 m

*: Specify the cable length in □□ of order no.
Example: JZSP-CMP19-30-E (30 m)

Rotary Servomotors

SGMJV



Model Designations

• Without Gears

SGMJV - 01 A D A 2 1

Σ-V Series Servomotor SGMJV
1st+2nd digits
3rd digit
4th digit
5th digit
6th digit
7th digit

1st+2nd digits Rated Output

Code	Specifications
A5	50 W
01	100 W
C2	150 W
02	200 W
04	400 W
06	600 W
08	750 W

3rd digit Power Supply Voltage

Code	Specifications
A	200 VAC

4th digit Serial Encoder

Code	Specifications
3	20-bit absolute (standard)
D	20-bit incremental (standard)
A	13-bit incremental (standard)

5th digit Design Revision Order

Code	Specifications
A	Standard

6th digit Shaft End

Code	Specifications
2	Straight without key (standard)
6	Straight with key and tap (optional)
B	With two flat seats (optional)

7th digit Options

Code	Specifications
1	Without options
C	With holding brake (24 VDC)
E	With oil seal and holding brake (24 VDC)
S	With oil seal

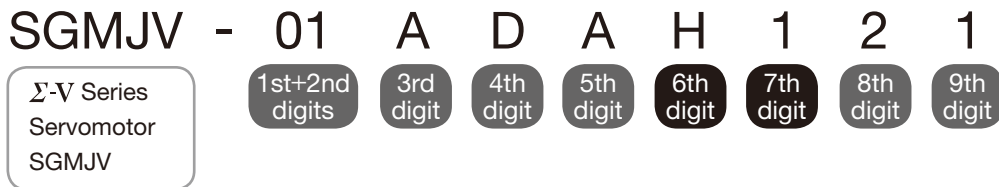
Features

- Medium inertia
- Instantaneous peak torque (350% of rated torque)
- Mounted high-resolution serial encoder: 13, 20 bits
- Maximum speed: 6,000 min⁻¹
- Wide Selection: 50 to 750 W capacity, holding brake and gear options

Application Examples

- Semiconductor equipment
- Chip mounters
- PCB drilling stations
- Robots
- Material handling machines
- Food processing equipment

● With Gears



1st+2nd digits Rated Output

Code	Specifications
A5	50 W
01	100 W
C2	150 W
02	200 W
04	400 W
06	600 W
08	750 W

3rd digit Power Supply Voltage

Code	Specifications
A	200 VAC

4th digit Serial Encoder

Code	Specifications
3	20-bit absolute (standard)
D	20-bit incremental (standard)
A	13-bit incremental (standard)

5th digit Design Revision Order

Code	Specifications
A	Standard

6th digit Gear Type

Code	Specifications
H	HDS planetary low-backlash gear

7th digit Gear Ratio

Code	Specifications
B	1/11 (Not available: 50 W)
C	1/21
1	1/5
2	1/9 (Only 50 W)
7	1/33

8th digit Shaft End

Code	Specifications
0	Flange output
2	Straight without key
6	Straight with key and tap

9th digit Options

Code	Specifications
1	Without options
C	With holding brake (24 VDC)

Ratings and Specifications

Time Rating: Continuous
Vibration Class: V15
Insulation Resistance: 500 VDC, 10 MΩ min.
Ambient Temperature: 0 to 40°C
Excitation: Permanent magnet
Mounting: Flange-mounted
Thermal Class: B

Withstand Voltage: 1500 VAC for one minute
Enclosure: Totally enclosed, self-cooled, IP65
 (except for shaft opening)
Ambient Humidity: 20% to 80% (no condensation)
Drive Method: Direct drive
Rotation Direction: Counterclockwise (CCW) with forward run
 reference when viewed from the load side

Voltage		200 V						
Servomotor Model: SGMJV-□□□		A5A	01A	C2A	02A	04A	06A	08A
Rated Output*1	W	50	100	150	200	400	600	750
Rated Torque*1, *2	N·m	0.159	0.318	0.477	0.637	1.27	1.91	2.39
Instantaneous Peak Torque*1	N·m	0.557	1.11	1.67	2.23	4.46	6.69	8.36
Rated Current*1	Arms	0.61	0.84	1.6	1.6	2.7	4.2	4.7
Instantaneous Max. Current*1	Arms	2.1	2.9	5.7	5.8	9.3	14.9	16.9
Rated Speed*1	min ⁻¹	3000						
Max. Speed*1	min ⁻¹	6000						
Torque Constant	N·m/Arms	0.285	0.413	0.327	0.435	0.512	0.505	0.544
Rotor Moment of Inertia	×10 ⁻⁴ kg·m ²	0.0414 (0.0561)	0.0665 (0.0812)	0.0883 (0.103)	0.259 (0.323)	0.442 (0.506)	0.667 (0.744)	1.57 (1.74)
Rated Power Rate*1	kW/s	6.11	15.2	25.8	15.7	36.5	54.7	36.3
Rated Angular Acceleration*1	rad/s ²	38400	47800	54100	24600	28800	28600	15200
Applicable SERVOPACK	SGDV-□□□□	R70□	R90□	1R6A,2R1F	1R6A,2R1F	2R8□	5R5A	5R5A

*1: These items and torque-motor speed characteristics quoted in combination with an SGDV SERVOPACK are at an armature winding temperature of 100°C. Other values quoted are at 20°C.

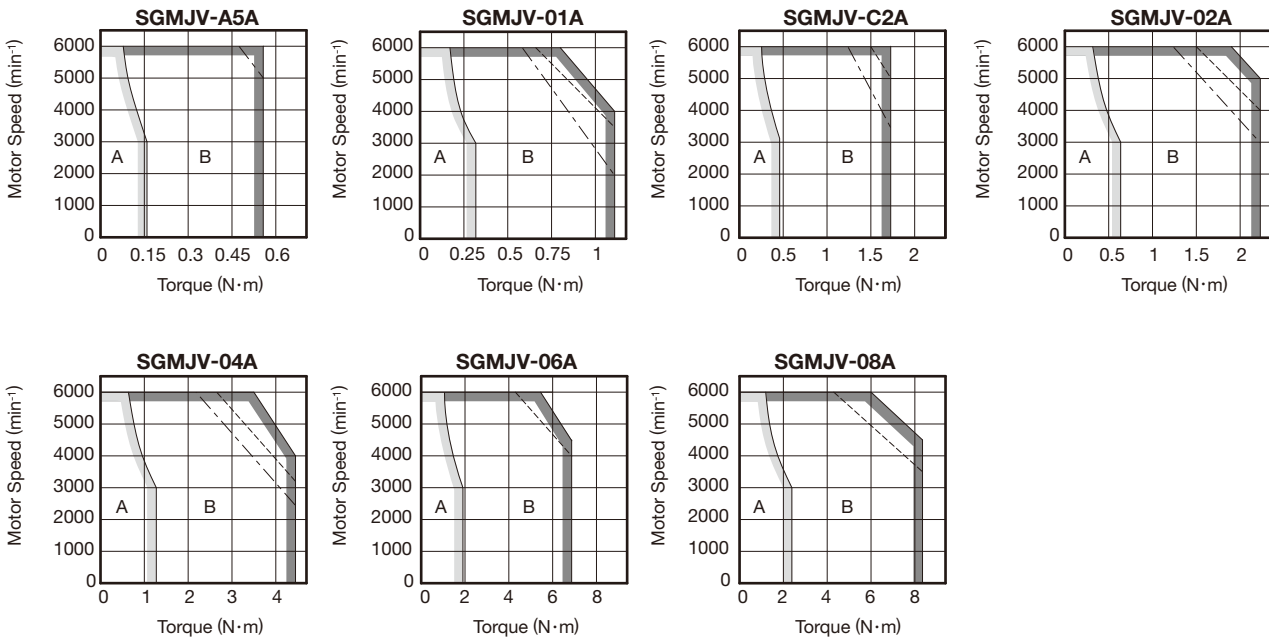
*2: Rated torques are continuous allowable torque values at 40°C with an aluminum heat sink of the following dimensions attached.

SGMJV-A5A, -01A: 200 mm×200 mm×6 mm

SGMJV-C2A, -02A, -04A, -06A, -08A: 250 mm×250 mm×6 mm

Note: The values in parentheses are for servomotors with holding brakes.

● Torque-Motor Speed Characteristics A : Continuous Duty Zone B : Intermittent Duty Zone



Notes: 1 The characteristics of the intermittent duty zone differ depending on the supply voltage. The solid, dotted, and dashed-dotted lines of the intermittent duty zone indicate the characteristics when a servomotor runs with the following combinations:

· The solid line: With a three-phase 200 V or a single-phase 230 V SERVOPACK

· The dotted line: With a single-phase 200 V SERVOPACK

· The dashed-dotted line: With a single-phase 100 V SERVOPACK

An SGMJV-A5A servomotor combined with a single-phase 200 V SERVOPACK has the same characteristics as one combined with three-phase 200 V SERVOPACK.

2 When the effective torque is within the rated torque, the servomotor can be used within the intermittent duty zone.

3 When the main circuit cable length exceeds 20 m, note that the intermittent duty zone of the *Torque-Motor Speed Characteristics* will shrink as the line-to-line voltage drops.

Ratings and Specifications

● Derating Rate for Servomotor Fitted with an Oil Seal

When a motor is fitted with an oil seal, use the following derating rate because of the higher friction torque.

Servomotor Model SGMJV-	A5A	01A	C2A	02A	04A	06A	08A
Derating Rate %	80	90			95		

● Holding Brake Electrical Specifications

Holding Brake Rated Voltage	Servomotor Model	Servomotor Rated Output W	Holding Brake Specifications					
			Capacity W	Holding Torque N·m	Coil Resistance Ω(at 20°C)	Rated Current A(at 20°C)	Brake Release Time ms	Brake Operation Time ms
24 VDC ^{+10%} ₀	SGMJV-A5A	50	5.5	0.159	103	0.23	60	100
	SGMJV-01A	100	5.5	0.318	103	0.23	60	100
	SGMJV-C2A	150	5.5	0.477	104	0.23	60	100
	SGMJV-02A	200	6	0.637	97.4	0.25	60	100
	SGMJV-04A	400	6	1.27	97.4	0.25	60	100
	SGMJV-06A	600	6.5	1.91	88.6	0.27	80	100
	SGMJV-08A	750	6.5	2.39	87.7	0.27	80	100

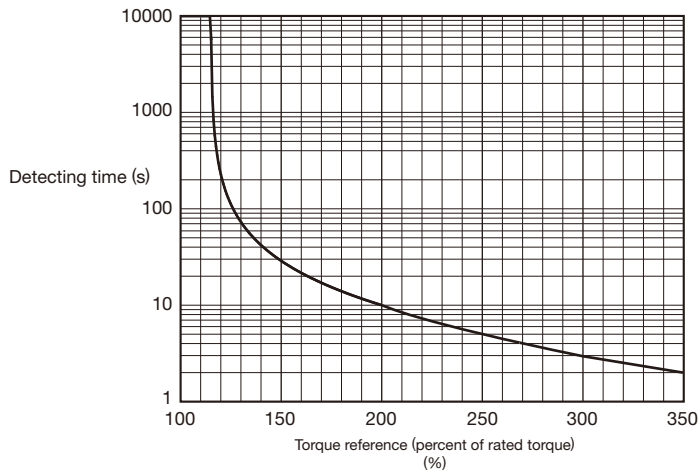
Notes: 1 The holding brake is only used to hold the load and cannot be used to stop the servomotor.

2 The holding brake open time and holding brake operation time vary depending on which discharge circuit is used. Make sure holding brake open time and holding brake operation time are correct for your servomotor.

3 A 24-VDC power supply is not included.

● Overload Characteristics

The overload detection level is set under hot start conditions at a servomotor ambient temperature of 40°C.



Note: Overload characteristics shown above do not guarantee continuous duty of 100% or more output. Use a servomotor with effective torque within the continuous duty zone of *Torque-Motor Speed Characteristics*.

Ratings and Specifications

● Allowable Load Moment of Inertia at the Motor Shaft

The rotor moment of inertia ratio is the value for a servomotor without a gear and a holding brake.

Servomotor Model		Servomotor Rated Output	Allowable Load Moment of Inertia (Rotor Moment of Inertia Ratio)
SGMJV-	A5A, 01A, C2A	50, 100, 150 W	20 times
	02A	200 W	15 times
	04A, 06A, 08A	400, 600, 750 W	10 times

● Load Moment of Inertia

The larger the load moment of inertia, the worse the movement response.

The allowable load moment of inertia (J_L) depends on the motor capacity, as shown above. This value is provided strictly as a guideline and results may vary depending on servomotor drive conditions.

Use the AC servo drive capacity selection program SigmaSize+ to check the operation conditions.

The program can be downloaded for free from our web site (<http://www.e-mechatronics.com/>).

An overvoltage alarm (A.400) is likely to occur during deceleration if the load moment of inertia exceeds the allowable load moment of inertia. SERVOPACKs with a built-in regenerative resistor may generate a regenerative overload alarm (A.320). Take one of the following steps if this occurs.

- Reduce the torque limit.
- Reduce the deceleration rate.
- Reduce the maximum speed.
- Install an external regenerative resistor if the alarm cannot be cleared using the steps above. Refer to *Regenerative Resistors* on page 375.

Regenerative resistors are not built into SERVOPACKs for 400 W motors or less.

External regenerative resistors are required when this condition is exceeded or if the allowable loss capacity (W) of the built-in regenerative resistor is exceeded due to regenerative drive conditions when a regenerative resistor is already built in.

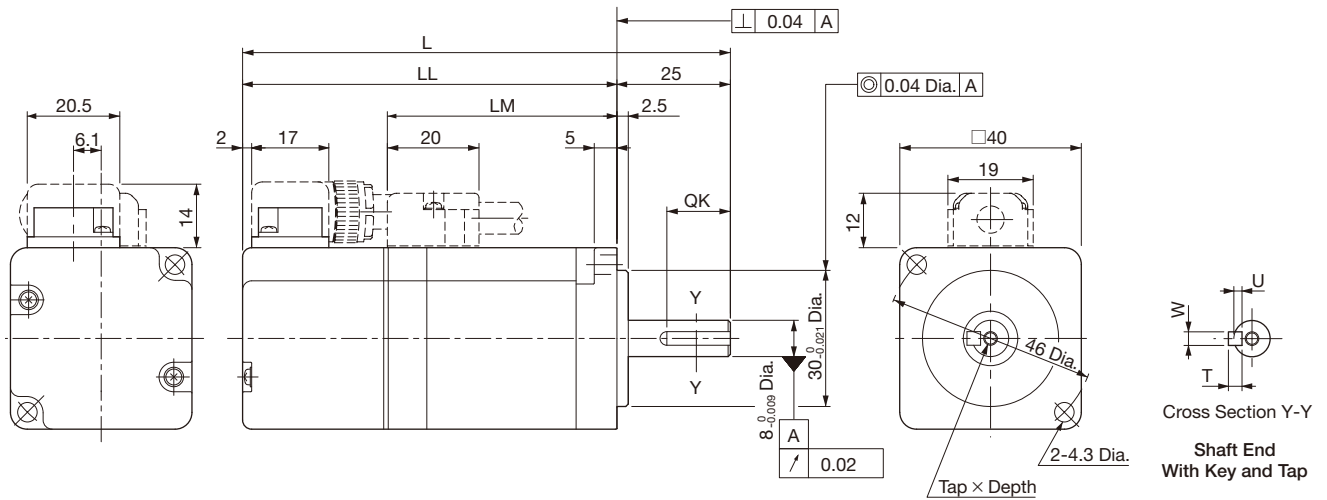
● Allowable Radial and Thrust Loads

Design the mechanical system so thrust and radial loads applied to the servomotor shaft end during operation fall within the ranges shown in the table.

Servomotor Model		Allowable Radial Load (F_r) N	Allowable Thrust Load (F_s) N	LF mm	Reference Diagram
SGMJV-	A5A	78	54	20	
	01A				
	C2A				
	02A	245	74	25	
	04A				
	06A				
	08A				

External Dimensions Units: mm

(1) 50 to 150 W

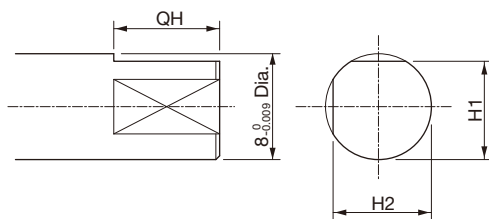


Model SGMJV-	L	LL	LM	Tap×Depth	Key Dimensions				Approx. Mass kg
					QK	U	W	T	
A5A□A21 (A5A□A2C)	94 (139)	69 (114)	37	No tap	No key				0.3 (0.6)
A5A□A61 (A5A□A6C)				M3×6L	14	1.8	3	3	
01A□A21 (01A□A2C)	107.5 (152.5)	82.5 (127.5)	50.5	No tap	No key				0.4 (0.7)
01A□A61 (01A□A6C)				M3×6L	14	1.8	3	3	
C2A□A21 (C2A□A2C)	119.5 (164.5)	94.5 (139.5)	62.5	No tap	No key				0.5 (0.8)
C2A□A61 (C2A□A6C)				M3×6L	14	1.8	3	3	

Note: The models and values in parentheses are for servomotors with holding brakes.

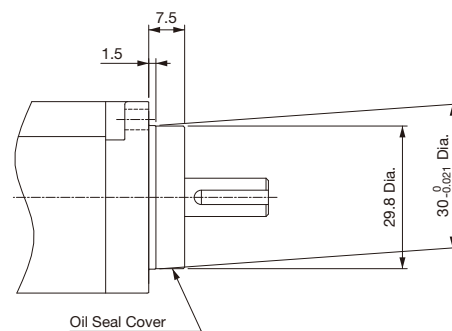
<Shaft End and Other Options>

● With Two Flat Seats



Model SGMJV-	Dimensions of Servomotor with Two Flat Seats mm		
	QH	H1	H2
A5A□AB□	15	7.5	7.5
01A□AB□			
C2A□AB□			

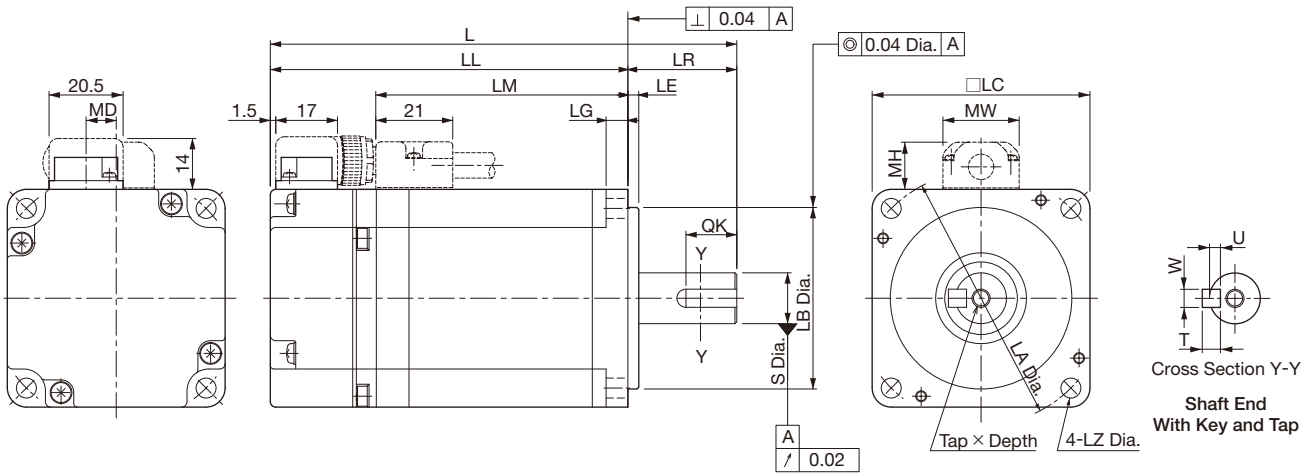
● With an Oil Seal



Notes: 1 The 7th digit of the model designation is "S" or "E."
2 Key dimensions are the same as those in the table above.

External Dimensions Units: mm

(2) 200 to 750 W

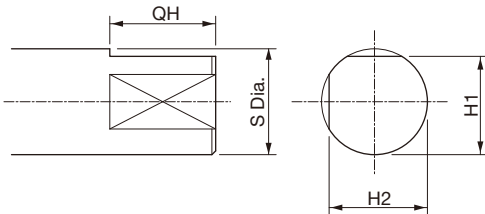


Model SGMJV-	L	LL	LM	Flange Face Dimensions							S	Tap x Depth	Key Dimensions				MD	MW	MH	Approx. Mass kg
				LR	LE	LG	LC	LA	LB	LZ			QK	U	W	T				
02A□A21 (02A□A2C)	110 (150)	80 (120)	51	30	3	6	60	70	50 ⁰ _{-0.025}	5.5	14 ⁰ _{-0.011}	No tap	No key				8.3	21	13	0.9 (1.5)
02A□A61 (02A□A6C)												M5x8L	14	3	5	5				
04A□A21 (04A□A2C)	128.5 (168.5)	98.5 (138.5)	69.5	30	3	6	60	70	50 ⁰ _{-0.025}	5.5	14 ⁰ _{-0.011}	No tap	No key				8.3	21	13	1.3 (1.9)
04A□A61 (04A□A6C)												M5x8L	14	3	5	5				
06A□A21 (06A□A2C)	154.5 (200.5)	124.5 (170.5)	95.5	30	3	6	60	70	50 ⁰ _{-0.025}	5.5	14 ⁰ _{-0.011}	No tap	No key				8.3	21	13	1.7 (2.4)
06A□A61 (06A□A6C)												M5x8L	14	3	5	5				
08A□A21 (08A□A2C)	155 (200)	115 (160)	85	40	3	8	80	90	70 ⁰ _{-0.030}	7	19 ⁰ _{-0.013}	No tap	No key				13.8	27	15	2.7 (3.6)
08A□A61 (08A□A6C)												M6x10L	22	3.5	6	6				

Note: The models and values in parentheses are for servomotors with holding brakes.

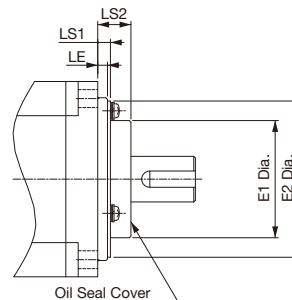
<Shaft End and Other Options>

● With Two Flat Seats



Model SGMJV-	Dimensions of Servomotor with Two Flat Seats mm			
	QH	S	H1	H2
02A□AB□	15	14 ⁰ _{-0.011}	13	13
04A□AB□				
06A□AB□				
08A□AB□	22	19 ⁰ _{-0.013}	18	18

● With an Oil Seal



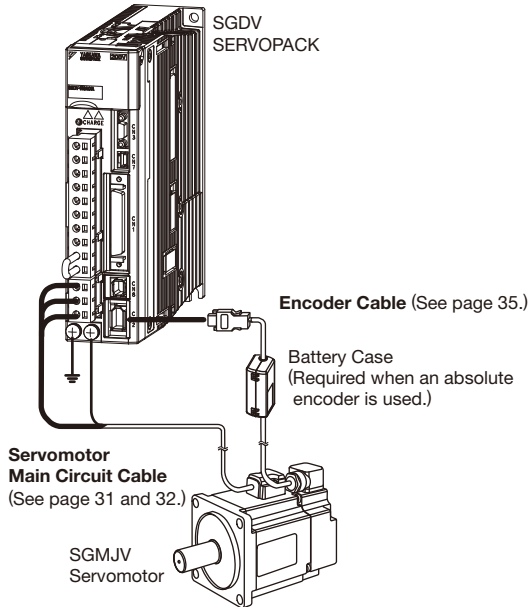
Model SGMJV-	Dimensions of Servomotor with an Oil Seal			
	E1	E2	LS1	LS2
02A, 04A, 06A	36	47	6.7	10
08A	49	66	5.5	11

Notes: 1 The 7th digit of the model designation is "S" or "E."
2 Key dimensions are the same as those in the table above.

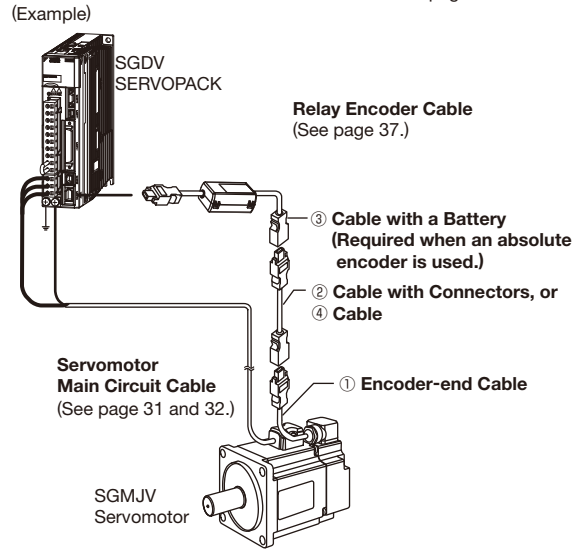
Selecting Cables

● Cables Connections

- Standard Wiring (Max. encoder cable length: 20 m)



- Encoder Cable Extension from 30 to 50 m
(See page 37.)



⚠ CAUTION

- Separate the servomotor main circuit cable wiring from the I/O signal cable and encoder cable at least 30 cm, and do not bundle or run them in the same duct.
- When the cable length exceeds 20 m, be sure to use a relay encoder cable.
- When the main circuit cable length exceeds 20 m, note that the intermittent duty zone of the *Torque-Motor Speed Characteristics* will shrink as the line-to-line voltage drops.

● Servomotor Main Circuit Cable

Name	Servomotor Rated Output	Length	Order No.		Specifications	Details
			Standard Type	Flexible Type*		
For Servomotor without Holding Brakes	50, 100, 150 W	3 m	JZSP-CSM01-03-E	JZSP-CSM21-03-E		(1)
		5 m	JZSP-CSM01-05-E	JZSP-CSM21-05-E		
		10 m	JZSP-CSM01-10-E	JZSP-CSM21-10-E		
		15 m	JZSP-CSM01-15-E	JZSP-CSM21-15-E		
		20 m	JZSP-CSM01-20-E	JZSP-CSM21-20-E		
		30 m	JZSP-CSM01-30-E	JZSP-CSM21-30-E		
		40 m	JZSP-CSM01-40-E	JZSP-CSM21-40-E		
		50 m	JZSP-CSM01-50-E	JZSP-CSM21-50-E		
	200, 400, 600 W	3 m	JZSP-CSM02-03-E	JZSP-CSM22-03-E		
		5 m	JZSP-CSM02-05-E	JZSP-CSM22-05-E		
		10 m	JZSP-CSM02-10-E	JZSP-CSM22-10-E		
		15 m	JZSP-CSM02-15-E	JZSP-CSM22-15-E		
		20 m	JZSP-CSM02-20-E	JZSP-CSM22-20-E		
		30 m	JZSP-CSM02-30-E	JZSP-CSM22-30-E		
		40 m	JZSP-CSM02-40-E	JZSP-CSM22-40-E		
		50 m	JZSP-CSM02-50-E	JZSP-CSM22-50-E		
	750 W	3 m	JZSP-CSM03-03-E	JZSP-CSM23-03-E		
		5 m	JZSP-CSM03-05-E	JZSP-CSM23-05-E		
		10 m	JZSP-CSM03-10-E	JZSP-CSM23-10-E		
		15 m	JZSP-CSM03-15-E	JZSP-CSM23-15-E		
		20 m	JZSP-CSM03-20-E	JZSP-CSM23-20-E		
		30 m	JZSP-CSM03-30-E	JZSP-CSM23-30-E		
		40 m	JZSP-CSM03-40-E	JZSP-CSM23-40-E		
		50 m	JZSP-CSM03-50-E	JZSP-CSM23-50-E		

(Cont'd)

Selecting Cables

Name	Servomotor Rated Output	Length	Order No.		Specifications	Details
			Standard Type	Flexible Type*		
For Servomotor with Holding Brakes	50, 100, 150 W	3 m	JZSP-CSM11-03-E	JZSP-CSM31-03-E	<p>SERVOPACK End 50 mm Servomotor End L Wire Markers M4 Crimped Terminal</p>	(2)
		5 m	JZSP-CSM11-05-E	JZSP-CSM31-05-E		
		10 m	JZSP-CSM11-10-E	JZSP-CSM31-10-E		
		15 m	JZSP-CSM11-15-E	JZSP-CSM31-15-E		
		20 m	JZSP-CSM11-20-E	JZSP-CSM31-20-E		
		30 m	JZSP-CSM11-30-E	JZSP-CSM31-30-E		
		40 m	JZSP-CSM11-40-E	JZSP-CSM31-40-E		
	200, 400, 600 W	3 m	JZSP-CSM12-03-E	JZSP-CSM32-03-E		
		5 m	JZSP-CSM12-05-E	JZSP-CSM32-05-E		
		10 m	JZSP-CSM12-10-E	JZSP-CSM32-10-E		
		15 m	JZSP-CSM12-15-E	JZSP-CSM32-15-E		
		20 m	JZSP-CSM12-20-E	JZSP-CSM32-20-E		
		30 m	JZSP-CSM12-30-E	JZSP-CSM32-30-E		
		40 m	JZSP-CSM12-40-E	JZSP-CSM32-40-E		
	750 W	3 m	JZSP-CSM13-03-E	JZSP-CSM33-03-E		
		5 m	JZSP-CSM13-05-E	JZSP-CSM33-05-E		
		10 m	JZSP-CSM13-10-E	JZSP-CSM33-10-E		
		15 m	JZSP-CSM13-15-E	JZSP-CSM33-15-E		
		20 m	JZSP-CSM13-20-E	JZSP-CSM33-20-E		
		30 m	JZSP-CSM13-30-E	JZSP-CSM33-30-E		
		40 m	JZSP-CSM13-40-E	JZSP-CSM33-40-E		
Servomotor-end Connector Kit	50, 100, 150 W	JZSP-CSM9-1-E		Crimped Type (A crimp tool is required.)	(3)	
	200, 400, 600 W	JZSP-CSM9-2-E			(4)	
	750 W	JZSP-CSM9-3-E			(5)	
Cables	50 to 600 W	5 m	JZSP-CSM90-05-E	JZSP-CSM80-05-E		(6)
		10 m	JZSP-CSM90-10-E	JZSP-CSM80-10-E		
		15 m	JZSP-CSM90-15-E	JZSP-CSM80-15-E		
		20 m	JZSP-CSM90-20-E	JZSP-CSM80-20-E		
		30 m	JZSP-CSM90-30-E	JZSP-CSM80-30-E		
		40 m	JZSP-CSM90-40-E	JZSP-CSM80-40-E		
		50 m	JZSP-CSM90-50-E	JZSP-CSM80-50-E		
	750 W	5 m	JZSP-CSM91-05-E	JZSP-CSM81-05-E		(7)
		10 m	JZSP-CSM91-10-E	JZSP-CSM81-10-E		
		15 m	JZSP-CSM91-15-E	JZSP-CSM81-15-E		
		20 m	JZSP-CSM91-20-E	JZSP-CSM81-20-E		
		30 m	JZSP-CSM91-30-E	JZSP-CSM81-30-E		
		40 m	JZSP-CSM91-40-E	JZSP-CSM81-40-E		
		50 m	JZSP-CSM91-50-E	JZSP-CSM81-50-E		

*: Use flexible cables for movable sections such as robot arms.

(1) Wiring Specifications for Servomotors without Holding Brakes (2) Wiring Specifications for Servomotor with Holding Brakes

SERVOPACK-end Leads		Servomotor-end Connector	
Wire Color	Signal	Signal	Pin No.
Green/yellow	FG	FG	1
Blue	Phase W	Phase W	2
White	Phase V	Phase V	3
Red	Phase U	Phase U	4
		—	5
		—	6

SERVOPACK-end Leads		Servomotor-end Connector	
Wire Color	Signal	Signal	Pin No.
Green/yellow	FG	FG	1
Blue	Phase W	Phase W	2
White	Phase V	Phase V	3
Red	Phase U	Phase U	4
Black	Brake	Brake	5
Black	Brake	Brake	6

Note: No polarity for connection to a holding brake.

Selecting Cables

(3) Servomotor-end Connector Kit Specifications: For 50 to 150 W Servomotors

Items	Specifications	External Dimensions mm
Order No.	JZSP-CSM9-1-E (Cables are not included.)	
Applicable Servomotors	SGMJV-A5A, -01A, -C2A	
Manufacturer	J.S.T. Mfg. Co., Ltd.	
Receptacle	J17-06FMH-7KL-1M-CF	
Electrical Contact	SJ1F-01GF-P0.8	
Applicable Wire Size	AWG20 to 24	
Outer Diameter of Insulating Sheath	1.11 dia. to 1.53 dia. mm	
Mounting Screw	M2 Pan-head screw	
Applicable Cable Outer Diameter	7±0.3 dia. mm	

Note: A crimp tool (Model no.: YRS-8841) is required. Contact the respective manufacturer for more information.

(4) Servomotor-end Connector Kit Specifications: For 200 to 600 W Servomotors

Items	Specifications	External Dimensions mm
Order No.	JZSP-CSM9-2-E (Cables are not included.)	
Applicable Servomotors	SGMJV-02A, -04A, -06A	
Manufacturer	J.S.T. Mfg. Co., Ltd.	
Receptacle	J27-06FMH-7KL-1M-CF	
Electrical Contact	SJ2F-01GF-P1.0	
Applicable Wire Size	AWG20 to 24	
Outer Diameter of Insulating Sheath	1.11 dia. to 1.53 dia. mm	
Mounting Screw	M2 Pan-head screw	
Applicable Cable Outer Diameter	7±0.3 dia. mm	

Note: A crimp tool (Model no.: YRS-8861) is required. Contact the respective manufacturer for more information.

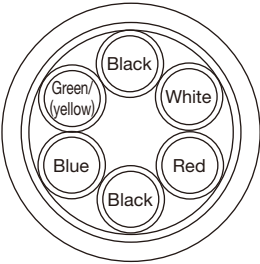
(5) Servomotor-end Connector Kit Specifications: For 750 W Servomotors

Items	Specifications	External Dimensions mm	
Order No.	JZSP-CSM9-3-E (Cables are not included.)		
Applicable Servomotors	SGMJV-08A		
Manufacturer	J.S.T. Mfg. Co., Ltd.		
Receptacle	J37-06FMH-8KL-1M-CF		
Cable Type	Standard		
Electrical Contact	SJ3F-41GF-P1.8 (For power terminals)		SJ3F-01GF-P1.8 (For brake terminals)
Applicable Wire Size	AWG16 to 20		AWG20 to 24
Outer Diameter of Insulating Sheath	1.53 dia. to 2.5 dia. mm		1.11 dia. to 1.86 dia. mm
Mounting Screw	M2.5 Pan-head screw		
Applicable Cable Outer Diameter	8±0.3 dia. mm		

Note: The following crimp tools are required.
 For power terminals: Model no. YRF-880
 For brake terminals: Model no. YRF-881
 Contact the respective manufacturer for more information.

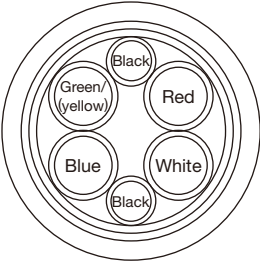
Selecting Cables

(6) Cable Specifications: For 50 to 600 W Servomotors

Items	Standard Type	Flexible Type
Order No.*	JZSP-CSM90-□□-E (50 m max.)	JZSP-CSM80-□□-E(50 m max.)
Specifications	UL2517 (Rating temperature: 105°C) AWG20×6C For power line: AWG20 (0.52 mm ²) Outer diameter of insulating sheath: 1.53 dia. mm For holding brake line: AWG20 (0.52 mm ²) Outer diameter of insulating sheath: 1.53 dia. mm	UL2517 (Rating temperature: 105°C) AWG22×6C For power line: AWG22 (0.33 mm ²) Outer diameter of insulating sheath: 1.37 dia. mm For holding brake line: AWG22 (0.33 mm ²) Outer diameter of insulating sheath: 1.37 dia. mm
Finished Dimensions	7±0.3 dia. mm	
Internal Configuration and Lead Color		
Yaskawa Standard Specifications (Standard Length)	Cable length: 5 m, 10 m, 15 m, 20 m, 30 m, 40 m, 50 m	

*: Specify the cable length in □□ of order no.
 Example: JZSP-CSM90-05-E (5 m)

(7) Cable Specifications: For 750 W Servomotors

Items	Standard Type	Flexible Type
Order No.*	JZSP-CSM91-□□-E(50 m max.)	JZSP-CSM81-□□-E(50 m max.)
Specifications	UL2517 (Rating temperature: 105°C) AWG16×4C, AWG20×2C For power line: AWG16 (1.31 mm ²) Outer diameter of insulating sheath: 2.15 dia. mm For holding brake line: AWG20 (0.52 mm ²) Outer diameter of insulating sheath: 1.6 dia. mm	UL2517 (Rating temperature: 105°C) AWG16×4C, AWG22×2C For power line: AWG16 (1.31 mm ²) Outer diameter of insulating sheath: 2.35 dia. mm For holding brake line: AWG22 (0.33 mm ²) Outer diameter of insulating sheath: 1.37 dia. mm
Finished Dimensions	8±0.3 dia. mm	
Internal Configuration and Lead Color		
Yaskawa Standard Specifications (Standard Length)	Cable length: 5 m, 10 m, 15 m, 20 m, 30 m, 40 m, 50 m	

*: Specify the cable length in □□ of order no.
 Example: JZSP-CSM91-05-E (5 m)

Selecting Cables

Encoder Cables (Length: 20 m or less)

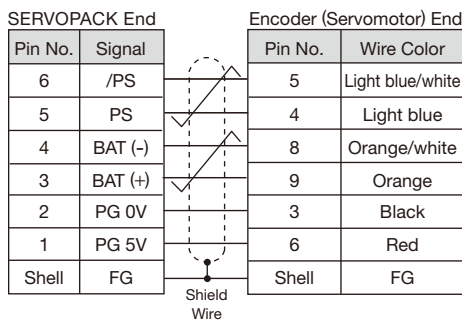
Name	Length	Order No.		Specifications	Details
		Standard Type	Flexible Type*1		
Cable with Connectors (For Incremental Encoder)	3 m	JZSP-CSP01-03-E	JZSP-CSP21-03-E		(1)
	5 m	JZSP-CSP01-05-E	JZSP-CSP21-05-E		
	10 m	JZSP-CSP01-10-E	JZSP-CSP21-10-E		
	15 m	JZSP-CSP01-15-E	JZSP-CSP21-15-E		
	20 m	JZSP-CSP01-20-E	JZSP-CSP21-20-E		
Cable with Connectors*2 (For Absolute Encoder, with a Battery Case)	3 m	JZSP-CSP05-03-E	JZSP-CSP25-03-E		(2)
	5 m	JZSP-CSP05-05-E	JZSP-CSP25-05-E		
	10 m	JZSP-CSP05-10-E	JZSP-CSP25-10-E		
	15 m	JZSP-CSP05-15-E	JZSP-CSP25-15-E		
	20 m	JZSP-CSP05-20-E	JZSP-CSP25-20-E		
SERVOPACK-end Connector Kit		JZSP-CMP9-1-E		Soldered 	(3)
Encoder-end Connector Kit		JZSP-CSP9-2-E		Crimped Type (A crimp tool is required.) 	
Cables	3 m	JZSP-CMP09-03-E	JZSP-CSP39-03-E		(4)
	5 m	JZSP-CMP09-05-E	JZSP-CSP39-05-E		
	10 m	JZSP-CMP09-10-E	JZSP-CSP39-10-E		
	15 m	JZSP-CMP09-15-E	JZSP-CSP39-15-E		
	20 m	JZSP-CMP09-20-E	JZSP-CSP39-20-E		

*1: Use flexible cables for movable sections such as robot arms.

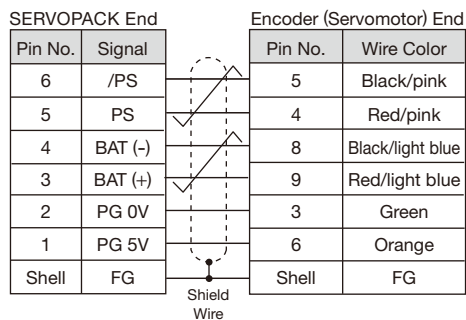
*2: When the battery is connected to the host controller, no battery case is required. If so, use a cable for incremental encoders.

(1) Wiring Specifications for Cable with Connectors (For incremental encoder)

Standard Type

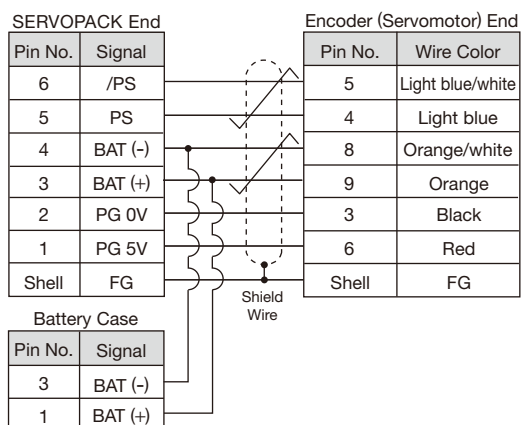


Flexible Type

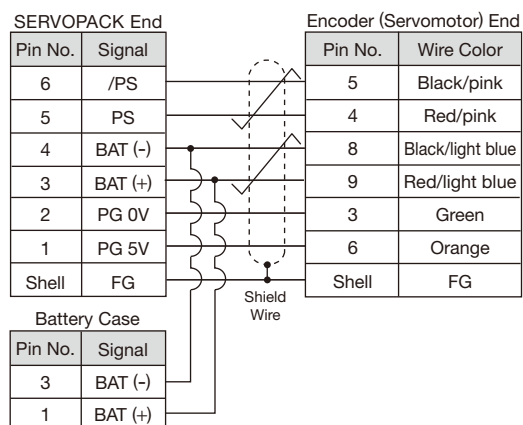


(2) Wiring Specifications for Cable with Connectors (For absolute encoder, with a battery case)

Standard Type

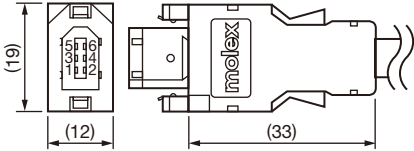
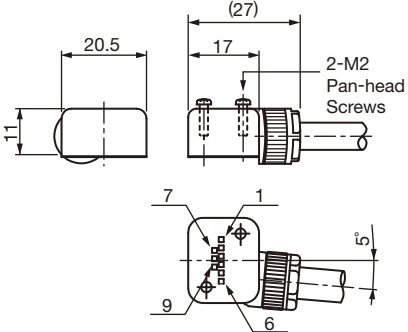


Flexible Type



Selecting Cables

(3) SERVOPACK-end/Encoder-end Connector Kit Specifications

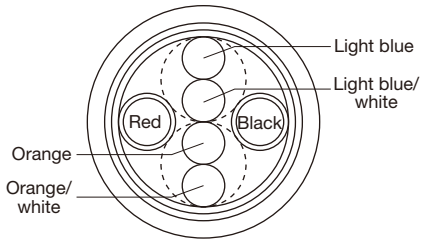
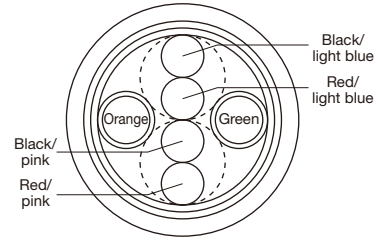
Items	SERVOPACK-end Connector Kit	Encoder-end Connector Kit
Order No.	JZSP-CMP9-1-E (Cables are not included.)	JZSP-CSP9-2-E (Cables are not included.)
Manufacturer	Molex Japan LLC	Molex Japan LLC
Specifications	55100-0670 (soldered) Product Specification: PS-54280	54346-0070 (crimped)* Mounting screw: M2 pan-head screw (× 2) Applicable cable outer diameter of applicable cable: 6.3 dia. to 7.7 dia. mm Applicable wire size: AWG22 to 26 Outer diameter of insulating sheath: 1.05 dia. to 1.4 dia. mm Application Specification: AS-54992 Crimping Specification: CS-56161
External Dimensions (Units: mm)		

*: A crimp tool is required.

The following crimp tool is applicable for the cables provided by Yaskawa. When using other wire sizes, contact the respective manufacturer for crimp tools.

Applicable crimp tool for Yaskawa's wire size: Hand Tool Model No. 57175-5000

(4) Cable Specifications

Items	Standard Type	Flexible Type
Order No.*	JZSP-CMP09-□□-E	JZSP-CSP39-□□-E
Cable Length	20 m max.	
Specifications	UL20276 (Rating temperature: 80°C) AWG22×2C+AWG24×2P AWG22 (0.33 mm ²) Outer diameter of insulating sheath: 1.15 dia. mm AWG24 (0.20 mm ²) Outer diameter of insulating sheath: 1.09 dia. mm	UL20276 (Rating temperature: 80°C) AWG22×2C+AWG24×2P AWG22 (0.33 mm ²) Outer diameter of insulating sheath: 1.35 dia. mm AWG24 (0.20 mm ²) Outer diameter of insulating sheath: 1.21 dia. mm
Finished Dimensions	6.5 dia. mm	6.8 dia. mm
Internal Configuration and Lead Color		
Yaskawa Standards Specifications (Standard Length)	Cable length: 5 m, 10 m, 15 m, 20 m	

*: Specify the cable length in □□ of order no.

Example: JZSP-CMP09-05-E (5 m)

Selecting Cables

● Relay Encoder Cables (For extending from 30 to 50 m)

Name	Length	Order No.	Specifications	Details
		Standard Type		
① Encoder-end Cables (For incremental and absolute encoder)	0.3 m	JZSP-CSP11-E		(1)
② Cable with Connectors (For incremental and absolute encoder)	30 m	JZSP-UCMP00-30-E		(2)
	40 m	JZSP-UCMP00-40-E		
	50 m	JZSP-UCMP00-50-E		
③ Cable with a Battery Case (Required when an absolute encoder is used*.)	0.3 m	JZSP-CSP12-E		(3)
④ Cables	30 m	JZSP-CMP19-30-E		(4)
	40 m	JZSP-CMP19-40-E		
	50 m	JZSP-CMP19-50-E		

*: Not required when connecting a battery to the host controller.

(1) Wiring Specifications for Encoder-end Cable

SERVOPACK End		Encoder (Servomotor) End	
Pin No.	Signal	Pin No.	Wire Color
6	/PS	5	Light blue/white
5	PS	4	Light blue
4	BAT (-)	8	Orange/white
3	BAT (+)	9	Orange
2	PG 0V	3	Black
1	PG 5V	6	Red
Shell	FG	Shell	FG

(2) Wiring Specifications for Cable with Connectors

SERVOPACK End		Encoder (Servomotor) End	
Pin No.	Signal	Pin No.	Wire Color
6	/PS	6	Light blue/white
5	PS	5	Light blue
4	BAT (-)	4	Orange/white
3	BAT (+)	3	Orange
2	PG 0V	2	Black
1	PG 5V	1	Red
Shell	FG	Shell	FG

(3) Wiring Specifications for Cable with a Battery Case

SERVOPACK End		Encoder (Servomotor) End	
Pin No.	Signal	Pin No.	Wire Color
6	/PS	6	Light blue/white
5	PS	5	Light blue
4	BAT (-)	4	Orange/white
3	BAT (+)	3	Orange
2	PG 0V	2	Black
1	PG 5V	1	Red
Shell	FG	Shell	FG

Battery Case	
Pin No.	Signal
3	BAT (-)
1	BAT (+)

(4) Cable Specifications

Item	Standard Type
Order No.*	JZSP-CMP19-□□-E
Cable Length	50 m max.
Specifications	UL20276 (Rating temperature: 80°C) AWG16×2C+AWG26×2P AWG16 (1.31 mm ²) Outer diameter of insulating sheath: 2.0 dia. mm AWG26 (0.13 mm ²) Outer diameter of insulating sheath: 0.91 dia. mm
Finished Dimensions	6.8 dia. mm
Internal Configuration and Lead Colors	
Yaskawa Standard Specifications (Standard Length)	Cable length: 30 m, 40 m, 50 m

*: Specify the cable length in □□ of order no.
Example: JZSP-CMP19-30-E (30 m)

With Low-backlash Gears

Ratings and Specifications

Time Rating: Continuous
Insulation Resistance: 500 VDC, 10 MΩ min.
Ambient Temperature: 0 to 40°C
Excitation: Permanent magnet
Mounting: Flange-mounted
Gear Mechanism: Planetary gear mechanism
Thermal Class: B

Withstand Voltage: 1500 VAC for one minute
Enclosure: Totally enclosed, self-cooled, IP55
 (except for shaft opening)
Ambient Humidity: 20% to 80% (no condensation)
Drive Method: Direct drive
Rotation Direction: Counterclockwise (CCW) with forward run
 reference when viewed from the load side

Servomotor Model SGMJV-	Servomotor					Gear					
	Rated Output W	Rated Speed min ⁻¹	Max. Speed min ⁻¹	Rated Torque N·m	Instantaneous Peak Torque N·m	Gear Ratio	Lost Motion arc-min	Rated Torque / Efficiency*1 N·m /%	Instantaneous Peak Torque N·m	Rated Speed min ⁻¹	Max. Speed min ⁻¹
A5A□AH1□	50	3000	6000	0.159	0.557	1/5	3 max.	0.433/64*2	2.37	600	1200
A5A□AH2□						1/9		1.12/78	3.78*3	333	667
A5A□AHC□						1/21		2.84/85	10.6	143	286
A5A□AH7□						1/33		3.68/70	15.8	91	182
01A□AH1□	100	3000	6000	0.318	1.11	1/5	3 max.	1.06/78*2	4.96	600	1200
01A□AHB□						1/11		2.52/72	10.7	273	545
01A□AHC□						1/21		5.35/80	20.8	143	286
01A□AH7□						1/33		7.35/70	32.7	91	182
C2A□AH1□	150	3000	6000	0.477	1.67	1/5	3 max.	1.68/83*2	7.8	600	1200
C2A□AHB□						1/11		3.53/79*2	16.9	273	545
C2A□AHC□						1/21		6.30/70*2	31.0	143	286
C2A□AH7□						1/33		11.2/79*2	49.7	91	182
02A□AH1□	200	3000	6000	0.637	2.23	1/5	3 max.	2.39/75	9.80	600	1200
02A□AHB□						1/11		5.74/82	22.1	273	545
02A□AHC□						1/21		10.2/76	42.1	143	286
02A□AH7□						1/33		17.0/81	67.6	91	182
04A□AH1□	400	3000	6000	1.27	4.46	1/5	3 max.	5.35/84	20.1	600	1200
04A□AHB□						1/11		11.5/82	45.1	273	545
04A□AHC□						1/21		23.0/86	87.0	143	286
04A□AH7□						1/33		34.0/81	135	91	182
06A□AH1□	600	3000	6000	1.91	6.69	1/5	3 max.	7.54/79	30.5	600	1200
06A□AHB□						1/11		18.1/86	68.6	273	545
06A□AHC□						1/21		32.1/80	128.8	143	286
06A□AH7□						1/33		53.6/85	205.5	91	182
08A□AH1□	750	3000	6000	2.39	8.36	1/5	3 max.	10.0/84	38.4	600	1200
08A□AHB□						1/11		23.1/88	86.4	273	545
08A□AHC□						1/21		42.1/84	163	143	286
08A□AH7□						1/33		69.3/88	259	91	182

*1: Gear output torque is expressed using the following equation.

$$(\text{Gear output torque}) = (\text{Servomotor output torque}) \times \frac{1}{(\text{gear ratio})} \times (\text{efficiency})$$

Gear efficiency depends on operating conditions such as output torque, motor speed, and temperature etc. The values in the table are representative values with rated torque, rated speed, and an ambient temperature of 25°C, and are not guaranteed values.

*2: When using SGMJV-A5A, -01A servomotors with a gear ratio of 1/5, or an SGMJV-C2A servomotor with a gear ratio of 1/11, maintain an 85% max. effective load ratio. For an SGMJV-C2A servomotor with a gear ratio of 1/21 or 1/33, maintain a 90% max. effective load ratio. The values in the table are provided with consideration given to the effective load ratio.

*3: Instantaneous Peak torque is 300%

Notes: 1 The gear mounted to our servomotor has not been broken in. Break in the servomotor if necessary. First, run the motor at low speed with no load. If no problems arise, gradually increase the speed and load.

2 The no-load torque for a servomotor with a gear is high immediately after the servomotor starts, and it then decreases and becomes stable a few minutes later. This is a common phenomenon caused by grease being circulated in the gear and not by a faulty gear.

IMPORTANT

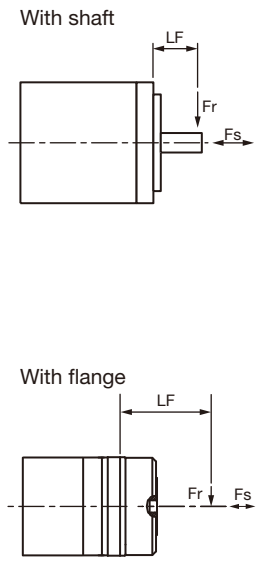
The SERVOPACK speed control range is 1:5000. When using servomotors at extremely low speeds (0.02 min⁻¹ at gear output shaft), when using servomotors with one pulse feed reference for extended periods and in some other situations, the gear bearing lubrication may be insufficient. That may cause deterioration of bearing or increase the load ratio.

Contact your Yaskawa representative if you are using your servomotor under these conditions.

With Low-backlash Gears Ratings and Specifications

● **Moment of Inertia and Allowable Radial and Thrust Loads**

Servomotor Model SGMJV-	Moment of Inertia×10 ⁻⁴ kg·m ²				Servomotors with Low-backlash Gears			Reference Diagram
	Motor + Gear	Gear	Flange Output		Allowable Radial Load (Fr) N	Allowable Thrust Load (Fs) N	LF mm	
			Motor + Gear	Gear				
A5A□AH1□	0.0474	0.006	0.0464	0.005	95	431	37	
A5A□AH2□	0.0444	0.003	0.0444	0.003	113	514	37	
A5A□AHC□	0.0454	0.004	0.0454	0.004	146	663	37	
A5A□AH7□	0.0864	0.045	0.0864	0.045	267	1246	53	
01A□AH1□	0.0725	0.006	0.0715	0.005	95	431	37	
01A□AHB□	0.127	0.060	0.126	0.059	192	895	53	
01A□AHC□	0.117	0.050	0.117	0.050	233	1087	53	
01A□AH7□	0.132	0.065	0.131	0.064	605	2581	75	
C2A□AH1□	0.093	0.005	0.092	0.004	95	431	37	
C2A□AHB□	0.148	0.060	0.147	0.059	192	895	53	
C2A□AHC□	0.198	0.110	0.196	0.108	528	2254	75	
C2A□AH7□	0.153	0.065	0.152	0.064	605	2581	75	
02A□AH1□	0.466	0.207	0.460	0.201	152	707	53	
02A□AHB□	0.452	0.193	0.451	0.192	192	895	53	
02A□AHC□	0.749	0.490	0.747	0.488	528	2254	75	
02A□AH7□	0.709	0.450	0.708	0.449	605	2581	75	
04A□AH1□	0.649	0.207	0.643	0.201	152	707	53	
04A□AHB□	1.01	0.570	1.00	0.560	435	1856	75	
04A□AHC□	0.932	0.490	0.930	0.488	528	2254	75	
04A□AH7□	1.06	0.620	1.05	0.610	951	4992	128	
06A□AH1□	1.367	0.700	1.327	0.660	343	1465	75	
06A□AHB□	1.237	0.570	1.227	0.560	435	1856	75	
06A□AHC□	1.507	0.840	1.487	0.820	830	4359	128	
06A□AH7□	1.287	0.620	1.277	0.610	951	4992	128	
08A□AH1□	2.27	0.700	2.23	0.660	343	1465	75	
08A□AHB□	2.17	0.600	2.16	0.590	435	1856	75	
08A□AHC□	4.57	3.00	4.55	2.98	830	4359	128	
08A□AH7□	4.37	2.80	4.36	2.79	951	4992	128	



IMPORTANT

The gear generates the loss at gear mechanism and oil seal. The loss varies with torque and motor speed conditions. The temperature rise depends on heat dissipation conditions. Always check the actual gear and motor temperature. If the temperature is high, take the measures shown below.

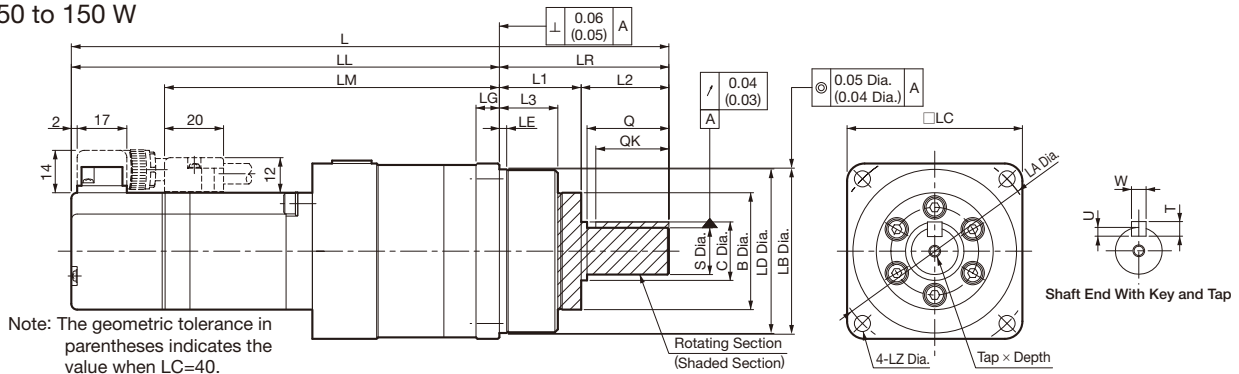
- Decrease the load ratio.
- Change the heat dissipation conditions.
- Cool the motor with a cooling fan etc.

Rated Output W	Heat Sink Size			
	1/5	1/9 or 1/11	1/21	1/33
50	A			
100	A			
150	A			
200	B			
400	B			
600	C			
750	C			

A : 250 mm×250 mm×6 mm, aluminum
 B : 300 mm×300 mm×12 mm, aluminum
 C : 350 mm×350 mm×12 mm, aluminum

SGMJV

(1) 50 to 150 W



Model SGMJV-	Gear Ratio	L	LL	LM	Flange Face Dimensions								
					LR	LE	LG	B	LD	LB	LC	LA	LZ
A5A□AH1*1 (A5A□AH1*2C)	1/5	150.5 (195.5)	108.5 (153.5)	76.5	42	2.2	5	29	39.5	40 ⁰ _{-0.025}	40	46	3.4
A5A□AH2*1 (A5A□AH2*2C)	1/9												
A5A□AHC*1 (A5A□AHC*2C)	1/21	159.5 (204.5)	117.5 (162.5)	85.5									
A5A□AH7*1 (A5A□AH7*2C)	1/33	191 (236)	133 (178)	101	58	2.5	8	40	55.5	56 ⁰ _{-0.030}	60	70	5.5
01A□AH1*1 (01A□AH1*2C)	1/5	164 (209)	122 (167)	90	42	2.2	5	29	39.5	40 ⁰ _{-0.025}	40	46	3.4
01A□AHB*1 (01A□AHB*2C)	1/11	204.5 (249.5)	146.5 (191.5)	114.5	58	2.5	8	40	55.5	56 ⁰ _{-0.030}	60	70	5.5
01A□AHC*1 (01A□AHC*2C)	1/21												
01A□AH7*1 (01A□AH7*2C)	1/33	229 (274)	149 (194)	117	80	7.5	10	59	84	85 ⁰ _{-0.035}	90	105	9
C2A□AH1*1 (C2A□AH1*2C)	1/5	176 (221)	134 (179)	102	42	2.2	5	29	39.5	40 ⁰ _{-0.025}	40	46	3.4
C2A□AHB*1 (C2A□AHB*2C)	1/11	216.5 (261.5)	158.5 (203.5)	126.5	58	2.5	8	40	55.5	56 ⁰ _{-0.030}	60	70	5.5
C2A□AHC*1 (C2A□AHC*2C)	1/21	241 (286)	161 (206)	129	80	7.5	10	59	84	85 ⁰ _{-0.035}	90	105	9
C2A□AH7*1 (C2A□AH7*2C)	1/33												

Model SGMJV-	Flange Face Dimensions			Q	C	S	Tap x Depth	Key Dimensions				Approx. Mass kg
	L1	L2	L3					QK	U	W	T	
A5A□AH1*1 (A5A□AH1*2C)	22	20	14.6	-	-	10 ⁰ _{-0.015}	M3×6L	15	2.5	4	4	0.6 (0.9)
A5A□AH2*1 (A5A□AH2*2C)												
A5A□AHC*1 (A5A□AHC*2C)												
A5A□AH7*1 (A5A□AH7*2C)	28	30	20	28	20	16 ⁰ _{-0.018}	M4×8L	25	3	5	5	1.3 (1.6)
01A□AH1*1 (01A□AH1*2C)	22	20	14.6	-	-	10 ⁰ _{-0.015}	M3×6L	15	2.5	4	4	0.7 (1.0)
01A□AHB*1 (01A□AHB*2C)	28	30	20	28	20	16 ⁰ _{-0.018}	M4×8L	25	3	5	5	1.4 (1.7)
01A□AHC*1 (01A□AHC*2C)												
01A□AH7*1 (01A□AH7*2C)	36	44	26	42	32	25 ⁰ _{-0.021}	M6×12L	36	4	8	7	2.8 (3.1)
C2A□AH1*1 (C2A□AH1*2C)	22	20	14.6	-	-	10 ⁰ _{-0.015}	M3×6L	15	2.5	4	4	0.8 (1.1)
C2A□AHB*1 (C2A□AHB*2C)	28	30	20	28	20	16 ⁰ _{-0.018}	M4×8L	25	3	5	5	1.5 (1.8)
C2A□AHC*1 (C2A□AHC*2C)	36	44	26	42	32	25 ⁰ _{-0.021}	M6×12L	36	4	8	7	2.9 (3.2)
C2A□AH7*1 (C2A□AH7*2C)												

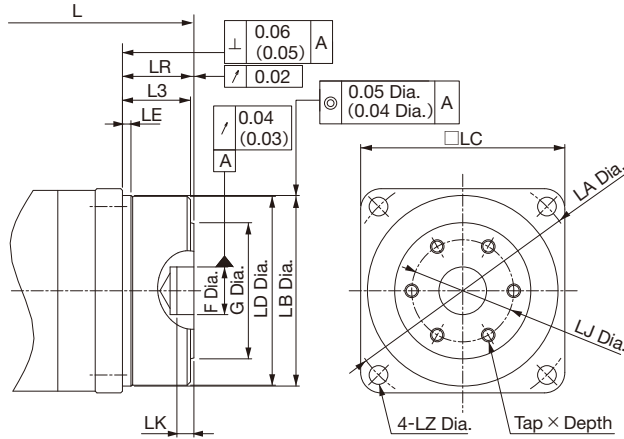
: The asterisk () describes the values of the 8th digit of the model designation, "shaft end code 6 (straight with key and tap)." If a key or tap is not necessary, order a servomotor with "shaft end code 2 (without key and tap)."

Notes: 1 The models and values in parentheses are for servomotors with holding brakes.

2 Please note that gear dimensions are different from those of Σ-I, Σ-II, and Σ-III series.

With Low-backlash Gears External Dimensions Units: mm

● Flange Output Face



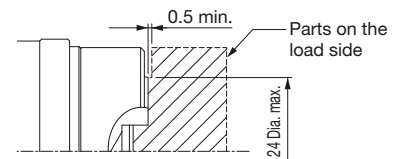
Note: The geometric tolerance in parentheses indicates the value when LC=40.

Model SGMJV-	Gear Ratio	L	LR	LJ	F	G	LK	No. of pcs Tap x Depth	Approx. Mass kg
A5A□AH101 (A5A□AH10C)	1/5	123.5 (168.5)							
A5A□AH201 (A5A□AH20C)	1/9	123.5 (168.5)	15	18	5 ^{+0.012} ₀	24	3	3-M4×6L	0.6 (0.9)
A5A□AHC01 (A5A□AHC0C)	1/21	132.5 (177.5)							
A5A□AH701 (A5A□AH70C)	1/33	154 (199)	21	30	14 ^{+0.018} ₀	40	5	6-M4×7L	1.2 (1.5)
01A□AH101 (01A□AH10C)	1/5	137 (182)	15	18	5 ^{+0.012} ₀	24	3	3-M4×6L	0.7 (1.0)
01A□AHB01 (01A□AHB0C)	1/11	167.5 (212.5)							
01A□AHC01 (01A□AHC0C)	1/21	167.5 (212.5)	21	30	14 ^{+0.018} ₀	40	5	3-M4×7L	1.3 (1.6)
01A□AH701 (01A□AH70C)	1/33	176 (221)	27	45	24 ^{+0.021} ₀	59	5	6-M6×10L	2.4 (2.7)
C2A□AH101 (C2A□AH10C)	1/5	149 (194)	15	18	5 ^{+0.012} ₀	24	3	3-M4×6L	0.8 (1.1)
C2A□AHB01 (C2A□AHB0C)	1/11	179.5 (224.5)	21	30	14 ^{+0.018} ₀	40	5	6-M4×7L	1.4 (1.7)
C2A□AHC01 (C2A□AHC0C)	1/21	188 (233)							
C2A□AH701 (C2A□AH70C)	1/33		27	45	24 ^{+0.021} ₀	59	5	6-M6×10L	2.5 (2.8)

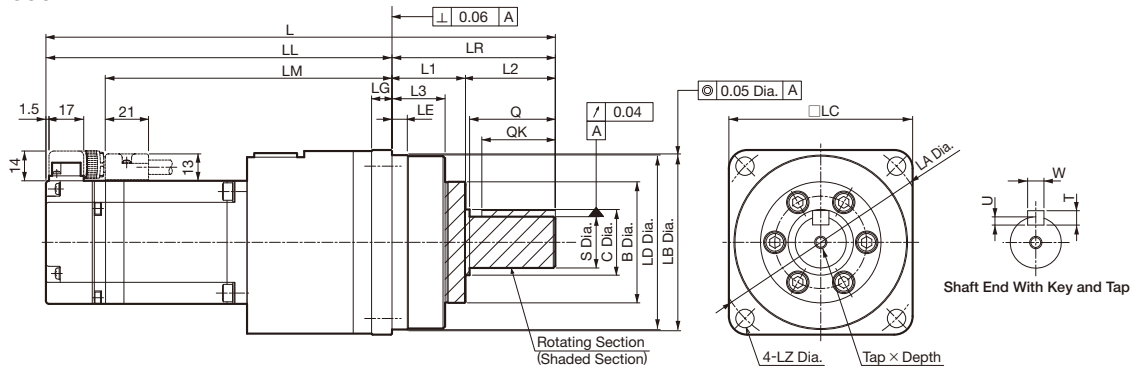
Notes: 1 The models and values in parentheses are for servomotors with holding brakes.
2 Dimensions not found in the table above are the same as those in the table on the previous page.

IMPORTANT

Regarding the flange output type shaft end, when the flange "LC" is 40 mm, we recommend designing a servomotor with the dimensions shown in the diagram on the right, in order to secure the gap between the gear oil seal and the parts on the load side.



(2) 200 to 600 W



Model SGMJV-	Gear Ratio	L	LL	LM	Flange Face Dimensions								
					LR	LE	LG	B	LD	LB	LC	LA	LZ
02A□AH1※1 (02A□AH1※C)	1/5	202 (242)	144 (184)	115	58	2.5	8	40	55.5	56 ⁰ _{-0.030}	60	70	5.5
02A□AHB※1 (02A□AHB※C)	1/11												
02A□AHC※1 (02A□AHC※C)	1/21	231 (271)	151 (191)	122	80	7.5	10	59	84	85 ⁰ _{-0.035}	90	105	9
02A□AH7※1 (02A□AH7※C)	1/33												
04A□AH1※1 (04A□AH1※C)	1/5	220.5 (260.5)	162.5 (202.5)	133.5	58	2.5	8	40	55.5	56 ⁰ _{-0.030}	60	70	5.5
04A□AHB※1 (04A□AHB※C)	1/11												
04A□AHC※1 (04A□AHC※C)	1/21	249.5 (289.5)	169.5 (209.5)	140.5	80	7.5	10	59	84	85 ⁰ _{-0.035}	90	105	9
04A□AH7※1 (04A□AH7※C)	1/33												
06A□AH1※1 (06A□AH1※C)	1/5	275.5 (321.5)	195.5 (241.5)	166.5	80	7.5	10	59	84	85 ⁰ _{-0.035}	90	105	9
06A□AHB※1 (06A□AHB※C)	1/11												
06A□AHC※1 (06A□AHC※C)	1/21	361.5 (407.5)	228.5 (274.5)	199.5	133	12.5	13	84	114	115 ⁰ _{-0.035}	120	135	11
06A□AH7※1 (06A□AH7※C)	1/33												

Model SGMJV-	Flange Face Dimensions			Q	C	S	Tap×Depth	Key Dimensions				Approx. Mass kg
	L1	L2	L3					QK	U	W	T	
02A□AH1※1 (02A□AH1※C)	28	30	20	28	20	16 ⁰ _{-0.018}	M4×8L	25	3	5	5	1.9 (2.5)
02A□AHB※1 (02A□AHB※C)												2.0 (2.6)
02A□AHC※1 (02A□AHC※C)	36	44	26	42	32	25 ⁰ _{-0.021}	M6×12L	36	4	8	7	3.8 (4.4)
02A□AH7※1 (02A□AH7※C)												
04A□AH1※1 (04A□AH1※C)	28	30	20	28	20	16 ⁰ _{-0.018}	M4×8L	25	3	5	5	2.3 (2.9)
04A□AHB※1 (04A□AHB※C)												4.2 (4.8)
04A□AHC※1 (04A□AHC※C)	36	44	26	42	32	25 ⁰ _{-0.021}	M6×12L	36	4	8	7	9.2 (9.9)
04A□AH7※1 (04A□AH7※C)												
06A□AH1※1 (06A□AH1※C)	36	44	26	42	32	25 ⁰ _{-0.021}	M6×12L	36	4	8	7	4.4 (5.1)
06A□AHB※1 (06A□AHB※C)												4.6 (5.3)
06A□AHC※1 (06A□AHC※C)	48	85	33	82	44	40 ⁰ _{-0.025}	M10×20L	70	5	12	8	9.2 (9.9)
06A□AH7※1 (06A□AH7※C)												

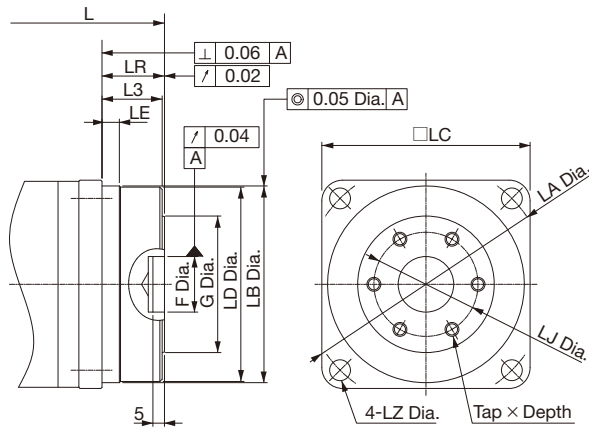
※: The asterisk (※) describes the values of the 8th digit of the model designation, “shaft end code 6 (straight with key and tap).” If a key or tap is not necessary, order a servomotor with “shaft end code 2 (without key and tap).”

Notes: 1 The models and values in parentheses are for servomotors with holding brakes.

2 Please note that gear dimensions are different from those of Σ-I, Σ-II, and Σ-III series.

With Low-backlash Gears External Dimensions Units: mm

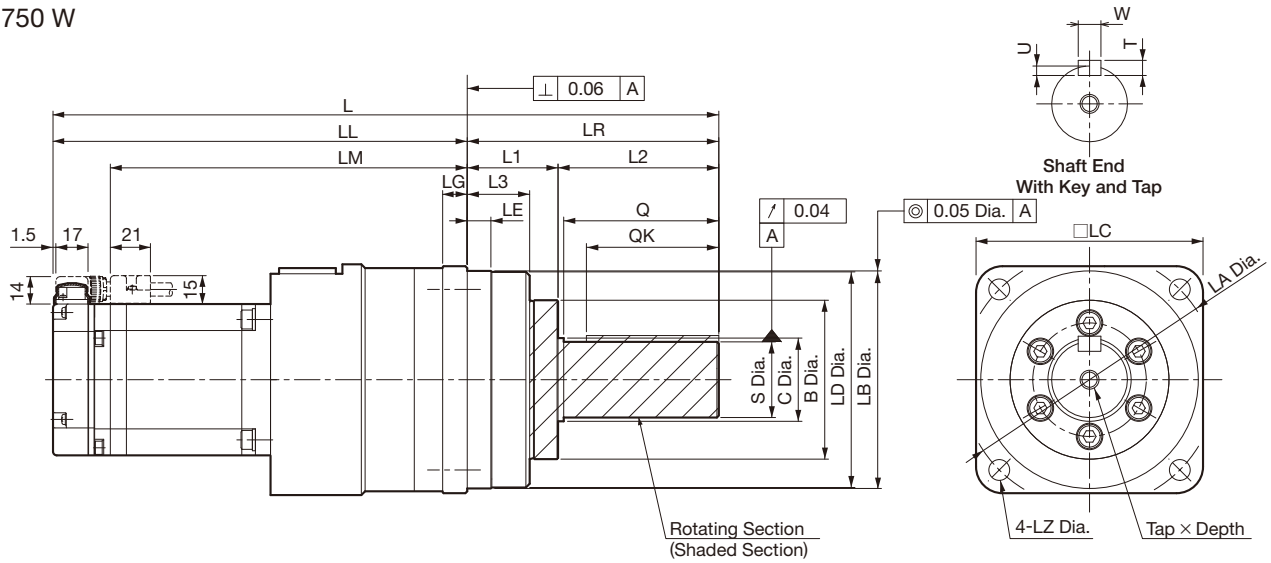
● Flange Output Face



Model SGMJV-	Gear Ratio	L	LR	LJ	F	G	No. of pcs Tap x Depth	Approx. Mass kg
02A□AH101 (02A□AH10C)	1/5	165 (205)	21	30	14 ^{+0.018} ₀	40	6-M4×7L	1.8 (2.4)
02A□AHB01 (02A□AHB0C)	1/11							1.9 (2.5)
02A□AHC01 (02A□AHC0C)	1/21	178 (218)	27	45	24 ^{+0.021} ₀	59	6-M6×10L	3.4 (4.0)
02A□AH701 (02A□AH70C)	1/33							
04A□AH101 (04A□AH10C)	1/5	183.5 (223.5)	21	30	14 ^{+0.018} ₀	40	6-M4×7L	2.2 (2.8)
04A□AHB01 (04A□AHB0C)	1/11	196.5 (236.5)	27	45	24 ^{+0.021} ₀	59	6-M6×10L	3.8 (4.4)
04A□AHC01 (04A□AHC0C)	1/21							
04A□AH701 (04A□AH70C)	1/33	237.5 (277.5)	35	60	32 ^{+0.025} ₀	84	6-M8×12L	7.4 (8.0)
06A□AH101 (06A□AH10C)	1/5	222.5 (268.5)	27	45	24 ^{+0.021} ₀	59	6-M6×10L	4.0 (4.7)
06A□AHB01 (06A□AHB0C)	1/11							4.2 (4.9)
06A□AHC01 (06A□AHC0C)	1/21	263.5 (309.5)	35	60	32 ^{+0.025} ₀	84	6-M8×12L	7.8 (8.5)
06A□AH701 (06A□AH70C)	1/33							

Notes: 1 The models and values in parentheses are for servomotors with holding brakes.
2 Dimensions not found in the table above are the same as those in the table on the previous page.

(3) 750 W



Model SGMJV-	Gear Ratio	L	LL	LM	Flange Face Dimensions								
					LR	LE	LG	B	LD	LB	LC	LA	LZ
08A□AH1*1 (08A□AH1□C)	1/5	273 (318)	193 (238)	163	80	7.5	10	59	84	85 ⁰ _{-0.035}	90	105	9
08A□AHB*1 (08A□AHB□C)	1/11												
08A□AHC*1 (08A□AHC□C)	1/21	352 (397)	219 (264)	189	133	12.5	13	84	114	115 ⁰ _{-0.035}	120	135	11
08A□AH7*1 (08A□AH7□C)	1/33												

Model SGMJV-	Flange Face Dimensions			Q	C	S	Tap×Depth	Key Dimensions				Approx. Mass kg
	L1	L2	L3					QK	U	W	T	
08A□AH1*1 (08A□AH1□C)	36	44	26	42	32	25 ⁰ _{-0.021}	M6×12L	36	4	8	7	5.6 (6.5)
08A□AHB*1 (08A□AHB□C)												5.8 (6.7)
08A□AHC*1 (08A□AHC□C)	48	85	33	82	44	40 ⁰ _{-0.025}	M10×20L	70	5	12	8	10.5 (11.4)
08A□AH7*1 (08A□AH7□C)												

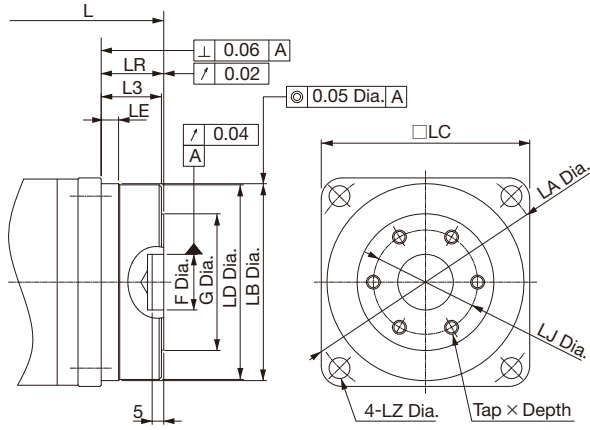
: The asterisk () describes the values of the 8th digit of the model designation, "shaft end code 6 (straight with key and tap)." If a key or tap is not necessary, order a servomotor with "shaft end code 2 (without key and tap)."

Notes: 1 The models and values in parentheses are for servomotors with holding brakes.

2 Please note that gear dimensions are different from those of Σ-I, Σ-II, and Σ-III series.

With Low-backlash Gears External Dimensions Units: mm

● Flange Output Face



Model SGMJV-	Gear Ratio	L	LR	LJ	F	G	No. of pcs Tap x Depth	Approx. Mass kg
08A□AH101 (08A□AH10C)	1/5	220 (265)	27	45	24 ^{+0.021} ₀	59	6-M6×10L	5.2 (6.1)
08A□AHB01 (08A□AHB0C)	1/11							5.4 (6.3)
08A□AHC01 (08A□AHC0C)	1/21	254 (299)	35	60	32 ^{+0.025} ₀	84	6-M8×12L	9.1 (10.0)
08A□AH701 (08A□AH70C)	1/33							

Notes: 1 The models and values in parentheses are for servomotors with holding brakes.
2 Dimensions not found in the table above are the same as those in the table on the previous page.

SGMJV

Rotary Servomotors

SGMAV



Model Designations

• Without Gears

SGMAV - 01 A D A 2 1

Σ-V Series Servomotor SGMVA
1st+2nd digits
3rd digit
4th digit
5th digit
6th digit
7th digit

1st+2nd digits Rated Output

Code	Specifications
A5	50 W
01	100 W
C2	150 W
02	200 W
04	400 W
06	550 W
08	750 W
10	1.0 kW

3rd digit Power Supply Voltage

Code	Specifications
A	200 VAC

4th digit Serial Encoder

Code	Specifications
3	20-bit absolute (standard)
D	20-bit incremental (standard)

5th digit Design Revision Order

Code	Specifications
A	Standard

6th digit Shaft End

Code	Specifications
2	Straight without key (standard)
6	Straight with key and tap (optional)
B	With two flat seats (optional)

7th digit Options

Code	Specifications
1	Without options
C	With holding brake (24 VDC)
E	With oil seal and holding brake (24 VDC)
S	With oil seal

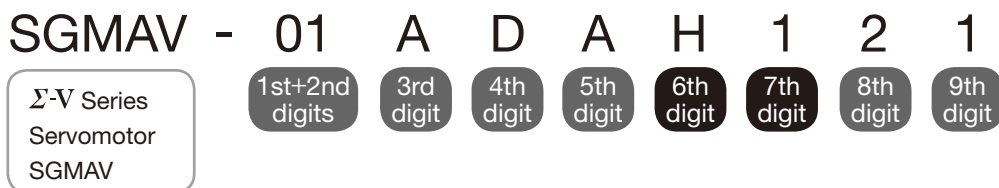
Features

- Super high power rate (Extremely low inertia)
- Instantaneous peak torque (300% of rated torque)
- Mounted high-resolution serial encoder: 20 bits
- Maximum speed: 6,000 min⁻¹
- Wide selection: 50 W to 1.0 kW capacity, holding brake and gear options

Application Examples

- Semiconductor equipment
- Chip mounters
- PCB drilling stations
- Robots
- Material handling machines
- Food processing equipment

● With Gears



1st+2nd digits Rated Output

Code	Specifications
A5	50 W
01	100 W
C2	150 W
02	200 W
04	400 W
06	550 W
08	750 W
10	1.0 kW

3rd digit Power Supply Voltage

Code	Specifications
A	200 VAC

4th digit Serial Encoder

Code	Specifications
3	20-bit absolute (standard)
D	20-bit incremental (standard)

5th digit Design Revision Order

Code	Specifications
A	Standard

6th digit Gear Type

Code	Specifications
H	HDS planetary low-backlash gear

7th digit Gear Ratio

Code	Specifications
B	1/11 (Not available: 50 W)
C	1/21
1	1/5
2	1/9 (Only 50 W)
7	1/33

8th digit Shaft End

Code	Specifications
0	Flange output
2	Straight without key
6	Straight with key and tap

9th digit Options

Code	Specifications
1	Without options
C	With holding brake (24 VDC)

Ratings and Specifications

Time Rating: Continuous
Vibration Class: V15
Insulation Resistance: 500 VDC, 10 MΩ min.
Ambient Temperature: 0 to 40°C
Excitation: Permanent magnet
Mounting: Flange-mounted
Thermal Class: B

Withstand Voltage: 1500 VAC for one minute
Enclosure: Totally enclosed, self-cooled, IP65
 (except for shaft opening)
Ambient Humidity: 20% to 80% (no condensation)
Drive Method: Direct drive
Rotation Direction: Counterclockwise (CCW) with forward run
 reference when viewed from the load side

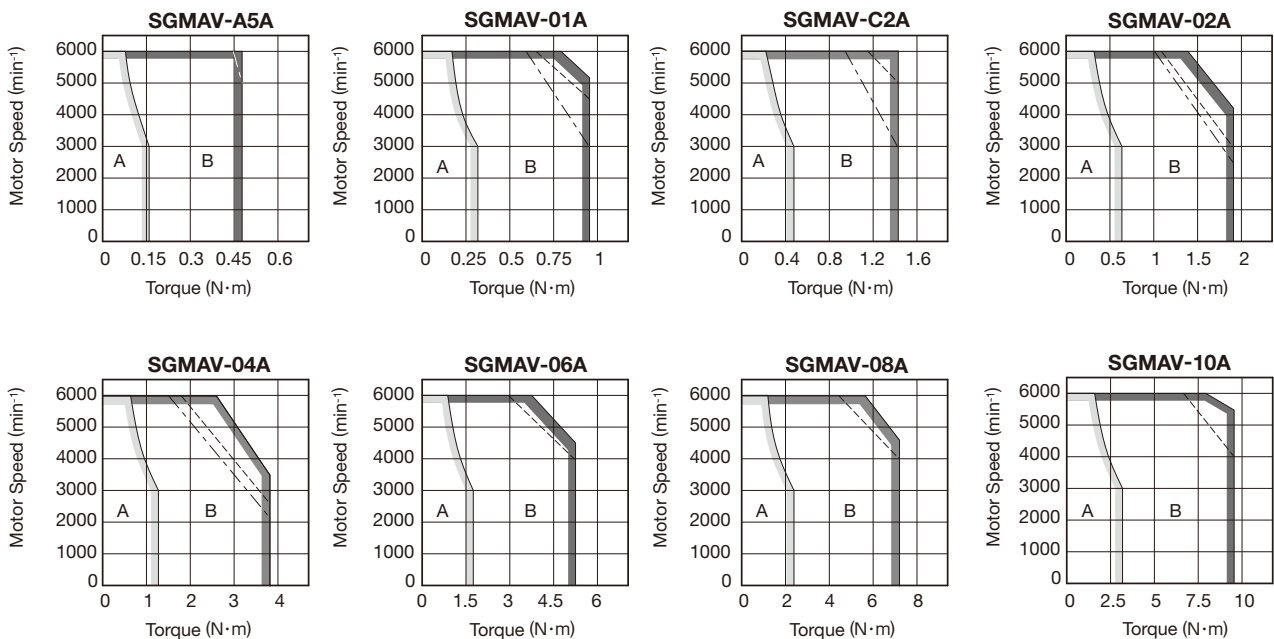
Voltage		200 V							
Servomotor Model: SGMVA-□□□□		A5A	01A	C2A	02A	04A	06A	08A	10A
Rated Output*1	W	50	100	150	200	400	550	750	1000
Rated Torque*1, *2	N·m	0.159	0.318	0.477	0.637	1.27	1.75	2.39	3.18
Instantaneous Peak Torque*1	N·m	0.477	0.955	1.43	1.91	3.82	5.25	7.16	9.55
Rated Current*1	Arms	0.66	0.91	1.4	1.5	2.6	3.8	5.3	7.4
Instantaneous Max. Current*1	Arms	2.1	2.8	4.2	5.3	8.5	12.2	16.6	23.9
Rated Speed*1	min ⁻¹	3000							
Max. Speed*1	min ⁻¹	6000							
Torque Constant	N·m/Arms	0.265	0.375	0.381	0.450	0.539	0.496	0.487	0.467
Rotor Moment of Inertia	× 10 ⁻⁴ kg·m ²	0.0242 (0.0389)	0.0380 (0.0527)	0.0531 (0.0678)	0.116 (0.180)	0.190 (0.254)	0.326 (0.403)	0.769 (0.940)	1.20 (1.41)
Rated Power Rate*1	kW/s	10.4	26.6	42.8	35.0	84.9	93.9	74.1	84.3
Rated Angular Acceleration*1	rad/s ²	65800	83800	89900	54900	67000	53700	31000	26500
Applicable SERVOPACK	SGDV-□□□□	R70□	R90□	1R6A,2R1F		2R8□	5R5A	5R5A	120A

*1: These items and torque-motor speed characteristics quoted in combination with an SGDV SERVOPACK are at an armature winding temperature of 100°C. Other values quoted are at 20°C.

*2: Rated torques are continuous allowable torque values at 40°C with an aluminum heat sink of the following dimensions attached.
 SGMVA-A5A, -01A: 200 mm×200 mm×6 mm
 SGMVA-C2A, -02A, -04A, -06A, -08A: 250 mm×250 mm×6 mm
 SGMVA-10A: 300 mm×300 mm×12 mm

Note: The values in parentheses are for servomotors with holding brakes.

● Torque-Motor Speed Characteristics A: Continuous Duty Zone B: Intermittent Duty Zone



Notes: 1 The characteristics of the intermittent duty zone differ depending on the supply voltage. The solid, dotted, and dashed-dotted lines of the intermittent duty zone indicate the characteristics when a servomotor runs with the following combinations:

- The solid line: With a three-phase 200 V or a single-phase 230 V SERVOPACK
- The dotted line: With a single-phase 200 V SERVOPACK
- The dashed-dotted line: With a single-phase 100 V SERVOPACK

An SGMVA-A5A servomotor combined with a single-phase 200 V SERVOPACK has the same characteristics as one combined with a three-phase 200 V SERVOPACK.

2 When the effective torque is within the rated torque, the servomotor can be used within the intermittent duty zone.

3 When the main circuit cable length exceeds 20 m, note that the intermittent duty zone of the *Torque-Motor Speed Characteristics* will shrink as the line-to-line voltage drops.

Ratings and Specifications

● Derating Rate for Servomotor Fitted with an Oil Seal

When a motor is fitted with an oil seal, use the following derating rate because of the higher friction torque.

Servomotor Model SGMAV-	A5A	01A	C2A	02A	04A	06A	08A	10A
Derating Rate %	80	90			95			

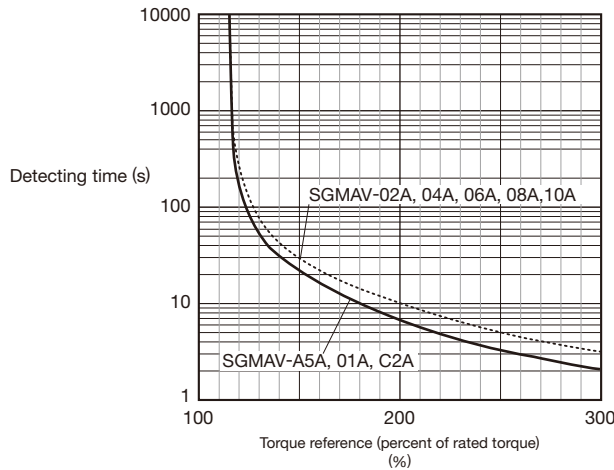
● Holding Brake Electrical Specifications

Holding Brake Rated Voltage	Servomotor Model	Servomotor Rated Output W	Holding Brake Specifications					
			Capacity W	Holding Torque N·m	Coil Resistance Ω(at 20°C)	Rated Current A(at 20°C)	Brake Release Time ms	Brake Operation Time ms
24 VDC ^{+10%} ₀	SGMAV-A5A	50	5.5	0.159	103	0.23	60	100
	SGMAV-01A	100		0.318				
	SGMAV-C2A	150	5.1	0.477	114	0.21	60	100
	SGMAV-02A	200	6	0.637	97.4	0.25	60	100
	SGMAV-04A	400		1.27				
	SGMAV-06A	550	8	1.75	74.3	0.32	80	100
	SGMAV-08A	750	6.5	2.39	87.7	0.27	80	100
	SGMAV-10A	1000	7	3.18	82.8	0.29	80	100

- Notes: 1 The holding brake is only used to hold the load and cannot be used to stop the servomotor.
 2 The holding brake open time and holding brake operation time vary depending on which discharge circuit is used. Make sure holding brake open time and holding brake operation time are correct for your servomotor.
 3 A 24-VDC power supply is not included.

● Overload Characteristics

The overload detection level is set under hot start conditions at a servomotor ambient temperature of 40°C.



Note: Overload characteristics shown above do not guarantee continuous duty of 100% or more output. Use a servomotor with effective torque within the continuous duty zone of *Torque-Motor Speed Characteristics*.

Ratings and Specifications

● Allowable Load Moment of Inertia at the Motor Shaft

The rotor moment of inertia ratio is the value for a servomotor without a gear and a brake.

Servomotor Model		Servomotor Rated Output	Allowable Load Moment of Inertia (Rotor Moment of Inertia Ratio)
SGMAV-	A5A, 01A, C2A, 02A	50 to 200 W	30 times
	04A, 06A, 08A	400 to 750 W	20 times
	10A	1000 W	10 times

● Load Moment of Inertia

The larger the load moment of inertia, the worse the movement response.

The allowable load moment of inertia (J_L) depends on the motor capacity, as shown above. This value is provided strictly as a guideline and results may vary depending on servomotor drive conditions.

Use the AC servo drive capacity selection program SigmaSize+ to check the operation conditions.

The program can be downloaded for free from our web site (<http://www.e-mechatronics.com/>).

An overvoltage alarm (A.400) is likely to occur during deceleration if the load moment of inertia exceeds the allowable load moment of inertia. SERVOPACKs with a built-in regenerative resistor may generate a regenerative overload alarm (A.320). Take one of the following steps if this occurs.

- Reduce the torque limit.
- Reduce the deceleration rate.
- Reduce the maximum speed.
- Install an external regenerative resistor if the alarm cannot be cleared using the steps above. Refer to *Regenerative Resistors* on page 375.

Regenerative resistors are not built into SERVOPACKs for 400 W motors or less.

External regenerative resistors are required when this condition is exceeded or if the allowable loss capacity (W) of the built-in regenerative resistor is exceeded due to regenerative drive conditions when a regenerative resistor is already built in.

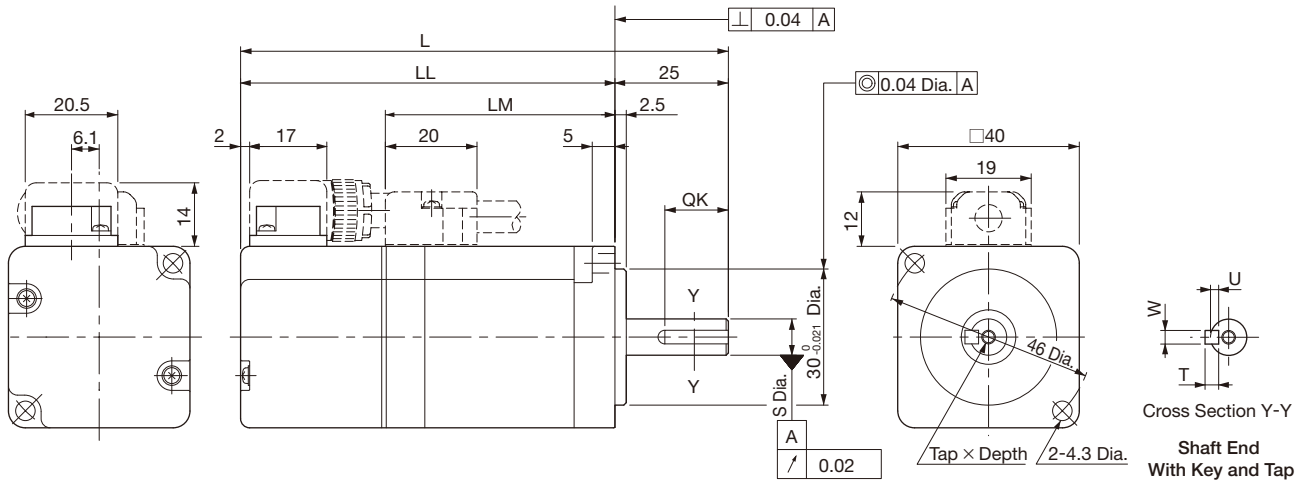
● Allowable Radial and Thrust Loads

Design the mechanical system so thrust and radial loads applied to the servomotor shaft end during operation fall within the ranges shown in the table.

Servomotor Model		Allowable Radial Load (F_r) N	Allowable Thrust Load (F_s) N	LF mm	Reference Diagram
SGMAV-	A5A	78	54	20	
	01A				
	C2A				
	02A	245	74	25	
	04A				
	06A				
	08A				
	10A	392	147	35	

External Dimensions Units: mm

(1) 50 to 150 W



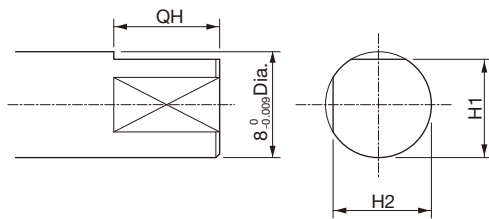
Model SGMAV-	L	LL	LM	S	Tap×Depth	Key Dimensions				Approx. Mass kg
						QK	U	W	T	
A5A□A21 (A5A□A2C)	95.5 (140.5)	70.5 (115.5)	38.5	8 ⁰ _{-0.009} *	No tap	No key				0.3 (0.6)
M3×6L					14	1.8	3	3		
A5A□A61 (A5A□A6C)										
01A□A21 (01A□A2C)	107.5 (152.5)	82.5 (127.5)	50.5	8 ⁰ _{-0.009}	No tap	No key				0.4 (0.7)
M3×6L					14	1.8	3	3		
01A□A61 (01A□A6C)										
C2A□A21 (C2A□A2C)	119.5 (164.5)	94.5 (139.5)	62.5	8 ⁰ _{-0.009}	No tap	No key				0.5 (0.8)
M3×6L					14	1.8	3	3		
C2A□A61 (C2A□A6C)										

Note: The models and values in parentheses are for servomotors with holding brakes.

*: When you need the same shaft diameter as the conventional servomotors, contact your Yaskawa representative.

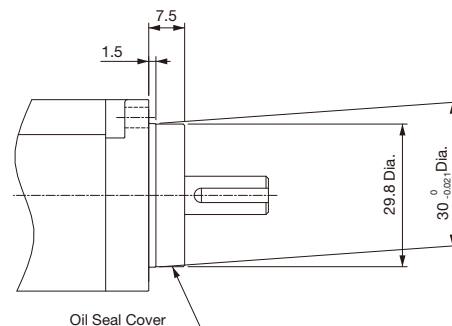
〈Shaft End and Other Options〉

● With Two Flat Seats



Model SGMAV-	Dimensions of Servomotor with Two Flat Seats		
	QH	H1	H2
A5A□AB□	15	7.5	7.5
01A□AB□			
C2A□AB□			

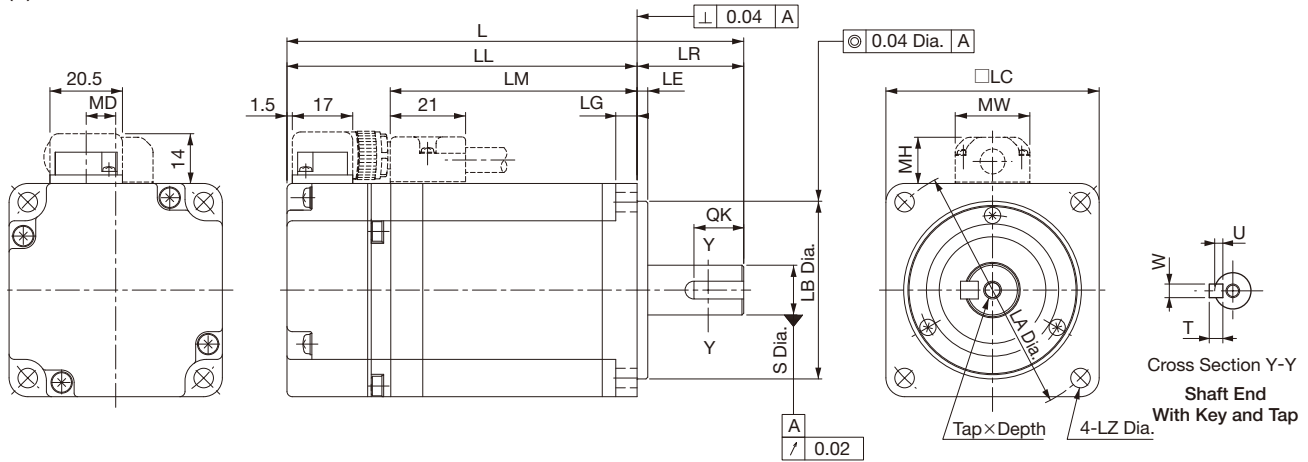
● With an Oil Seal



Note: The 7th digit of the model designation is "S" or "E."
The key dimensions are the same as those in the table above.

External Dimensions Units: mm

(2) 200 W to 1.0 kW



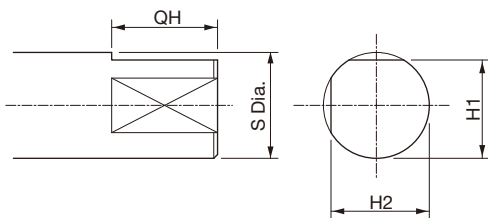
Model SGMAV-	L	LL	LM	Flange Face Dimensions								S	Tap x Depth	Key Dimensions				MD	MW	MH	Approx. Mass kg
				LR	LE	LG	LC	LA	LB	LZ	QK			U	W	T					
02A□A21 (02A□A2C)	110 (150)	80 (120)	51	30	3	6	60	70	50 ⁰ _{-0.025}	5.5	14 ⁰ _{-0.011}	No tap	No key				8.5	21	13	0.9 (1.5)	
02A□A61 (02A□A6C)												M5×8L	14	3	5	5					
04A□A21 (04A□A2C)	128.5 (168.5)	98.5 (138.5)	69.5	30	3	6	60	70	50 ⁰ _{-0.025}	5.5	14 ⁰ _{-0.011}	No tap	No key				8.5	21	13	1.2 (1.8)	
04A□A61 (04A□A6C)												M5×8L	14	3	5	5					
06A□A21 (06A□A2C)	154.5 (200.5)	124.5 (170.5)	95.5	30	3	6	60	70	50 ⁰ _{-0.025}	5.5	14 ⁰ _{-0.011}	No tap	No key				8.5	21	13	1.7 (2.4)	
06A□A61 (06A□A6C)												M5×8L	14	3	5	5					
08A□A21 (08A□A2C)	155 (200)	115 (160)	85	40	3	8	80	90	70 ⁰ _{-0.030}	7	19 ⁰ _{-0.013} *	No tap	No key				13.8	27	15	2.6 (3.2)	
08A□A61 (08A□A6C)												M6×10L	22	3.5	6	6					
10A□A21 (10A□A2C)	185 (235)	145 (195)	115	40	3	8	80	90	70 ⁰ _{-0.030}	7	19 ⁰ _{-0.013} *	No tap	No key				13.8	27	15	3.6 (4.6)	
10A□A61 (10A□A6C)												M6×10L	22	3.5	6	6					

Note: The models and values in parentheses are for servomotors with holding brakes.

*: When you need the same shaft diameter as the conventional servomotors, contact your Yaskawa representative.

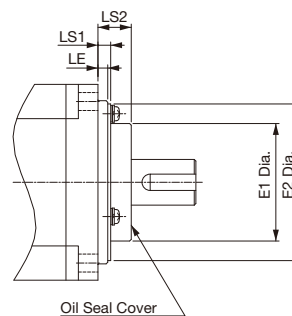
<Shaft End and Other Options>

● With Two Flat Seats



Model SGMAV-	Dimensions of Servomotor with Two Flat Seats			
	QH	S	H1	H2
02A□AB□	15	14 ⁰ _{-0.011}	13	13
04A□AB□				
06A□AB□				
08A□AB□	22	19 ⁰ _{-0.013}	18	18
10A□AB□				

● With an Oil Seal



Model SGMAV-	Dimensions of Servomotor with an Oil Seal			
	E1	E2	LS1	LS2
02A, 04A, 06A	36	48	4	10
08A, 10A	49	66	6	11

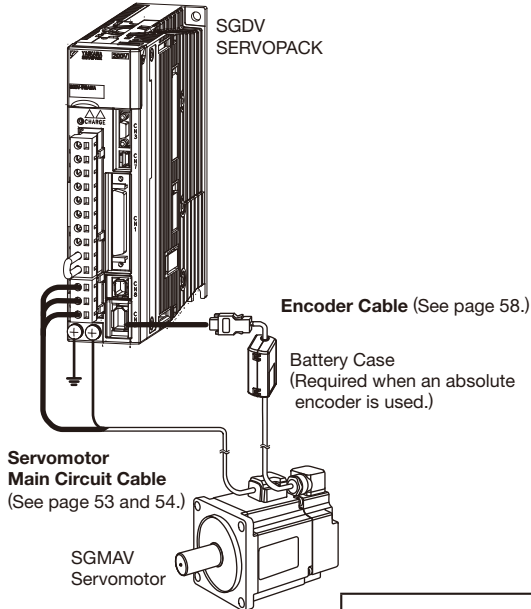
Note: The 7th digit of the model designation is "S" or "E."

The key dimensions are the same as those in the table above.

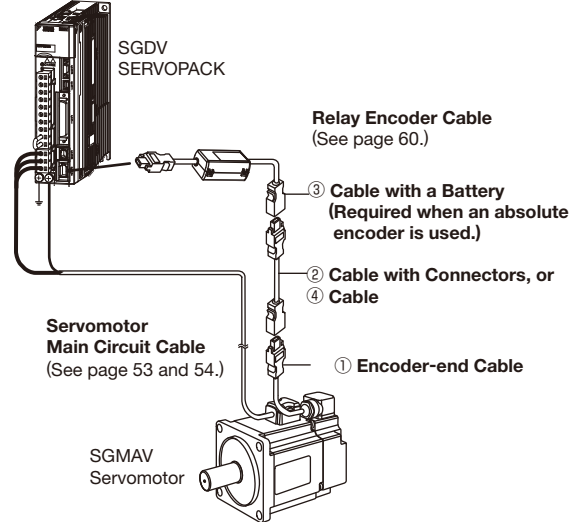
Selecting Cables

● Cables Connections

- Standard Wiring (Max. encoder cable length: 20 m)



- Encoder Cable Extension from 30 to 50 m (Example) (See page 60.)



⚠ CAUTION

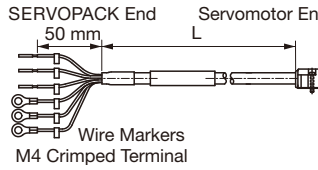


- Separate the servomotor main circuit cable wiring from the I/O signal cable and encoder cable at least 30 cm, and do not bundle or run them in the same duct.
- When the cable length exceeds 20 m, be sure to use a relay encoder cable.
- When the main circuit cable length exceeds 20 m, note that the intermittent duty zone of the *Torque-Motor Speed Characteristics* will shrink as the line-to-line voltage drops.

● Servomotor Main Circuit Cable

Name	Servomotor Rated Output	Length	Order No.		Specifications	Details
			Standard Type	Flexible Type*		
For Servomotor without Holding Brakes	50 to 150 W	3 m	JZSP-CSM01-03-E	JZSP-CSM21-03-E		(1)
		5 m	JZSP-CSM01-05-E	JZSP-CSM21-05-E		
		10 m	JZSP-CSM01-10-E	JZSP-CSM21-10-E		
		15 m	JZSP-CSM01-15-E	JZSP-CSM21-15-E		
		20 m	JZSP-CSM01-20-E	JZSP-CSM21-20-E		
		30 m	JZSP-CSM01-30-E	JZSP-CSM21-30-E		
		40 m	JZSP-CSM01-40-E	JZSP-CSM21-40-E		
		50 m	JZSP-CSM01-50-E	JZSP-CSM21-50-E		
	200 to 550 W	3 m	JZSP-CSM02-03-E	JZSP-CSM22-03-E		
		5 m	JZSP-CSM02-05-E	JZSP-CSM22-05-E		
		10 m	JZSP-CSM02-10-E	JZSP-CSM22-10-E		
		15 m	JZSP-CSM02-15-E	JZSP-CSM22-15-E		
		20 m	JZSP-CSM02-20-E	JZSP-CSM22-20-E		
		30 m	JZSP-CSM02-30-E	JZSP-CSM22-30-E		
		40 m	JZSP-CSM02-40-E	JZSP-CSM22-40-E		
		50 m	JZSP-CSM02-50-E	JZSP-CSM22-50-E		
	750 W, 1.0 kW	3 m	JZSP-CSM03-03-E	JZSP-CSM23-03-E		
		5 m	JZSP-CSM03-05-E	JZSP-CSM23-05-E		
		10 m	JZSP-CSM03-10-E	JZSP-CSM23-10-E		
		15 m	JZSP-CSM03-15-E	JZSP-CSM23-15-E		
		20 m	JZSP-CSM03-20-E	JZSP-CSM23-20-E		
		30 m	JZSP-CSM03-30-E	JZSP-CSM23-30-E		
		40 m	JZSP-CSM03-40-E	JZSP-CSM23-40-E		
		50 m	JZSP-CSM03-50-E	JZSP-CSM23-50-E		

(Cont'd)

Selecting Cables

Name	Servomotor Rated Output	Length	Order No.		Specifications	Details
			Standard Type	Flexible Type*		
For Servomotor with Holding Brakes	50 to 150 W	3 m	JZSP-CSM11-03-E	JZSP-CSM31-03-E	 <p>SERVOPACK End Servomotor End 50 mm L Wire Markers M4 Crimped Terminal</p>	(2)
		5 m	JZSP-CSM11-05-E	JZSP-CSM31-05-E		
		10 m	JZSP-CSM11-10-E	JZSP-CSM31-10-E		
		15 m	JZSP-CSM11-15-E	JZSP-CSM31-15-E		
		20 m	JZSP-CSM11-20-E	JZSP-CSM31-20-E		
		30 m	JZSP-CSM11-30-E	JZSP-CSM31-30-E		
		40 m	JZSP-CSM11-40-E	JZSP-CSM31-40-E		
	50 m	JZSP-CSM11-50-E	JZSP-CSM31-50-E			
	200 to 550 W	3 m	JZSP-CSM12-03-E	JZSP-CSM32-03-E		
		5 m	JZSP-CSM12-05-E	JZSP-CSM32-05-E		
		10 m	JZSP-CSM12-10-E	JZSP-CSM32-10-E		
		15 m	JZSP-CSM12-15-E	JZSP-CSM32-15-E		
		20 m	JZSP-CSM12-20-E	JZSP-CSM32-20-E		
		30 m	JZSP-CSM12-30-E	JZSP-CSM32-30-E		
		40 m	JZSP-CSM12-40-E	JZSP-CSM32-40-E		
	50 m	JZSP-CSM12-50-E	JZSP-CSM32-50-E			
	750 W, 1.0 kW	3 m	JZSP-CSM13-03-E	JZSP-CSM33-03-E		
		5 m	JZSP-CSM13-05-E	JZSP-CSM33-05-E		
		10 m	JZSP-CSM13-10-E	JZSP-CSM33-10-E		
		15 m	JZSP-CSM13-15-E	JZSP-CSM33-15-E		
		20 m	JZSP-CSM13-20-E	JZSP-CSM33-20-E		
30 m		JZSP-CSM13-30-E	JZSP-CSM33-30-E			
40 m		JZSP-CSM13-40-E	JZSP-CSM33-40-E			
50 m	JZSP-CSM13-50-E	JZSP-CSM33-50-E				
Servomotor-end Connector Kit	50 to 150 W	JZSP-CSM9-1-E		Crimped Type (A crimp tool is required.) 	(3)	
	200 to 550 W	JZSP-CSM9-2-E			(4)	
	750 W, 1.0 kW	JZSP-CSM9-3-E			(5)	
Cables	50 to 550 W	5 m	JZSP-CSM90-05-E	JZSP-CSM80-05-E		(6)
		10 m	JZSP-CSM90-10-E	JZSP-CSM80-10-E		
		15 m	JZSP-CSM90-15-E	JZSP-CSM80-15-E		
		20 m	JZSP-CSM90-20-E	JZSP-CSM80-20-E		
		30 m	JZSP-CSM90-30-E	JZSP-CSM80-30-E		
		40 m	JZSP-CSM90-40-E	JZSP-CSM80-40-E		
		50 m	JZSP-CSM90-50-E	JZSP-CSM80-50-E		
	750 W, 1.0kW	5 m	JZSP-CSM91-05-E	JZSP-CSM81-05-E		(7)
		10 m	JZSP-CSM91-10-E	JZSP-CSM81-10-E		
		15 m	JZSP-CSM91-15-E	JZSP-CSM81-15-E		
		20 m	JZSP-CSM91-20-E	JZSP-CSM81-20-E		
		30 m	JZSP-CSM91-30-E	JZSP-CSM81-30-E		
		40 m	JZSP-CSM91-40-E	JZSP-CSM81-40-E		
		50 m	JZSP-CSM91-50-E	JZSP-CSM81-50-E		

*: Use flexible cables for movable sections such as robot arms.

Selecting Cables

(1) Wiring Specifications for Servomotors without Holding Brakes

SERVOPACK-end Leads		Servomotor-end Connector	
Wire Color	Signal	Signal	Pin No.
Green/yellow	FG	FG	1
Blue	Phase W	Phase W	2
White	Phase V	Phase V	3
Red	Phase U	Phase U	4
		-	5
		-	6

(2) Wiring Specifications for Servomotor with Holding Brakes

SERVOPACK-end Leads		Servomotor-end Connector	
Wire Color	Signal	Signal	Pin No.
Green/yellow	FG	FG	1
Blue	Phase W	Phase W	2
White	Phase V	Phase V	3
Red	Phase U	Phase U	4
Black	Brake	Brake	5
Black	Brake	Brake	6

Note: No polarity for connection to a holding brake.

(3) Servomotor-end Connector Kit Specifications: For 50 to 150 W Servomotors

Items	Specifications	External Dimensions mm
Order No.	JZSP-CSM9-1-E (Cables are not included.)	
Applicable Servomotors	SGMAV-A5A, -01A, -C2A	
Manufacturer	J.S.T. Mfg. Co., Ltd.	
Receptacle	J17-06FMH-7KL-1M-CF	
Electrical Contact	SJ1F-01GF-P0.8	
Applicable Wire Size	AWG20 to 24	
Outer Diameter of Insulating Sheath	1.11 dia. to 1.53 dia. mm	
Mounting Screw	M2 Pan-head screw	
Applicable Cable Outer Diameter	7±0.3 dia. mm	

Note: A crimp tool (Model no.: YRS-8841) is required. Contact the respective manufacturer for more information.

Selecting Cables

(4) Servomotor-end Connector Kit Specifications: For 200 to 550 W Servomotors

Items	Specifications	External Dimensions mm
Order No.	JZSP-CSM9-2-E (Cables are not included.)	
Applicable Servomotors	SGMAV-02A, -04A, -06A	
Manufacturer	J.S.T. Mfg. Co., Ltd.	
Receptacle	J27-06FMH-7KL-1M-CF	
Electrical Contact	SJ2F-01GF-P1.0	
Applicable Wire Size	AWG20 to 24	
Outer Diameter of Insulating Sheath	1.11 dia. to 1.53 dia. mm	
Mounting Screw	M2 Pan-head screw	
Applicable Cable Outer Diameter	7±0.3 dia. mm	

Note: A crimp tool (Model no.: YRS-8861) is required. Contact the respective manufacturer for more information.

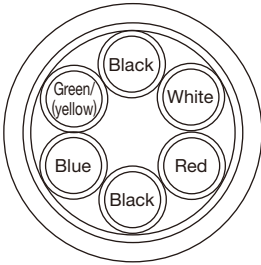
(5) Servomotor-end Connector Kit Specifications: For 750 W, 1.0 kW Servomotors

Items	Specifications	External Dimensions mm	
Order No.	JZSP-CSM9-3-E (Cables are not included.)		
Applicable Servomotors	SGMAV-08A, -10A		
Manufacturer	J.S.T. Mfg. Co., Ltd.		
Receptacle	J37-06FMH-8KL-1M-CF		
Cable Type	Standard		
Electrical Contact	SJ3F-41GF-P1.8 (For power terminals)		SJ3F-01GF-P1.8 (For holding brake terminals)
Applicable Wire Size	AWG16 to 20		AWG20 to 24
Outer Diameter of Insulating Sheath	1.53 dia. to 2.5 dia. mm		1.11 dia. to 1.86 dia. mm
Mounting Screw	M2.5 Pan-head screw		
Applicable Cable Outer Diameter	8±0.3 dia. mm		

Note: The following crimp tools are required.
 For power terminals: Model no. YRF-880
 For brake terminals: Model no. YRF-881
 Contact the respective manufacturer for more information.

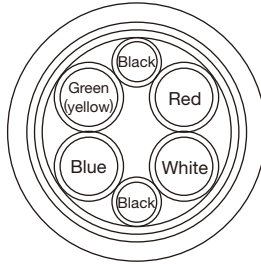
Selecting Cables

(6) Cable Specifications: For 50 to 550 W Servomotors

Items	Standard Type	Flexible Type
Order No.*	JZSP-CSM90-□□-E (50 m max.)	JZSP-CSM80-□□-E(50 m max.)
Specifications	UL2517 (Rating temperature: 105°C) AWG20×6C For power line: AWG20 (0.52 mm ²) Outer diameter of insulating sheath: 1.53 dia. mm For holding brake line: AWG20 (0.52 mm ²) Outer diameter of insulating sheath: 1.53 dia. mm	UL2517 (Rating temperature: 105°C) AWG22×6C For power line: AWG22 (0.33 mm ²) Outer diameter of insulating sheath: 1.37 dia. mm For holding brake line: AWG22 (0.33 mm ²) Outer diameter of insulating sheath: 1.37 dia. mm
Finished Dimensions	7±0.3 dia. mm	
Internal Configuration and Lead Color		
Yaskawa Standard Specifications (Standard Length)	Cable length: 5 m, 10 m, 15 m, 20 m, 30 m, 40 m, 50 m	

*: Specify the cable length in □□ of order no.
Example: JZSP-CSM90-05-E (5 m)

(7) Cable Specifications: For 750 W, 1.0 kW Servomotors

Items	Standard Type	Flexible Type
Order No.*	JZSP-CSM91-□□-E(50 m max.)	JZSP-CSM81-□□-E(50 m max.)
Specifications	UL2517 (Rating temperature: 105°C) AWG16×4C, AWG20×2C For power line: AWG16 (1.31 mm ²) Outer diameter of insulating sheath: 2.15 dia. mm For holding brake line: AWG20 (0.52 mm ²) Outer diameter of insulating sheath: 1.6 dia. mm	UL2517 (Rating temperature: 105°C) AWG16×4C, AWG22×2C For power line: AWG16 (1.31 mm ²) Outer diameter of insulating sheath: 2.35 dia. mm For holding brake line: AWG22 (0.33 mm ²) Outer diameter of insulating sheath: 1.37 dia. mm
Finished Dimensions	8±0.3 dia. mm	
Internal Configuration and Lead Color		
Yaskawa Standard Specifications (Standard Length)	Cable length: 5 m, 10 m, 15 m, 20 m, 30 m, 40 m, 50 m	

*: Specify the cable length in □□ of order no.
Example: JZSP-CSM91-15-E (15 m)

Selecting Cables

Encoder Cables (Length: 20 m or less)

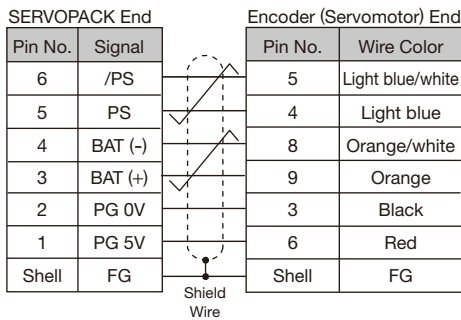
Name	Length	Order No.		Specifications	Details
		Standard Type	Flexible Type*1		
Cable with Connectors (For Incremental Encoder)	3 m	JZSP-CSP01-03-E	JZSP-CSP21-03-E	 SERVOPACK End L Encoder End Connector (Crimped) (Molex Japan LLC) Connector (Molex Japan LLC)	(1)
	5 m	JZSP-CSP01-05-E	JZSP-CSP21-05-E		
	10 m	JZSP-CSP01-10-E	JZSP-CSP21-10-E		
	15 m	JZSP-CSP01-15-E	JZSP-CSP21-15-E		
	20 m	JZSP-CSP01-20-E	JZSP-CSP21-20-E		
Cable with Connectors*2 (For Absolute Encoder, with a Battery Case)	3 m	JZSP-CSP05-03-E	JZSP-CSP25-03-E	 SERVOPACK End L Encoder End Connector (Crimped) (Molex Japan LLC) Battery Case (Battery attached) Connector (Molex Japan LLC)	(2)
	5 m	JZSP-CSP05-05-E	JZSP-CSP25-05-E		
	10 m	JZSP-CSP05-10-E	JZSP-CSP25-10-E		
	15 m	JZSP-CSP05-15-E	JZSP-CSP25-15-E		
	20 m	JZSP-CSP05-20-E	JZSP-CSP25-20-E		
SERVOPACK-end Connector Kit		JZSP-CMP9-1-E		Soldered 	(3)
Encoder-end Connector Kit		JZSP-CSP9-2-E		Crimped Type (A crimp tool is required.) 	
Cables	3 m	JZSP-CMP09-03-E	JZSP-CSP39-03-E		(4)
	5 m	JZSP-CMP09-05-E	JZSP-CSP39-05-E		
	10 m	JZSP-CMP09-10-E	JZSP-CSP39-10-E		
	15 m	JZSP-CMP09-15-E	JZSP-CSP39-15-E		
	20 m	JZSP-CMP09-20-E	JZSP-CSP39-20-E		

*1: Use flexible cables for movable sections such as robot arms.

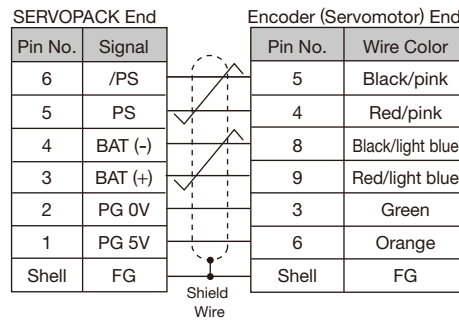
*2: When the battery is connected to the host controller, no battery case is required. If so, use a cable for incremental encoders.

(1) Wiring Specifications for Cable with Connectors (For incremental encoder)

Standard Type

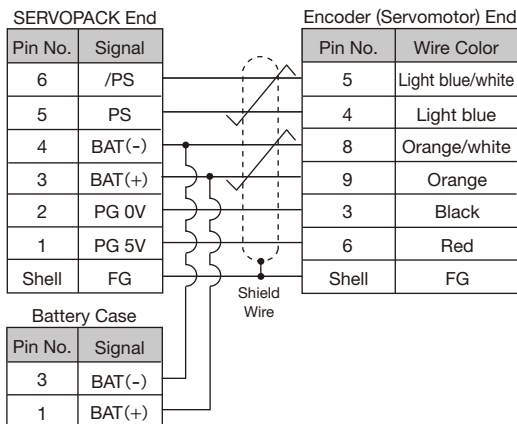


Flexible Type

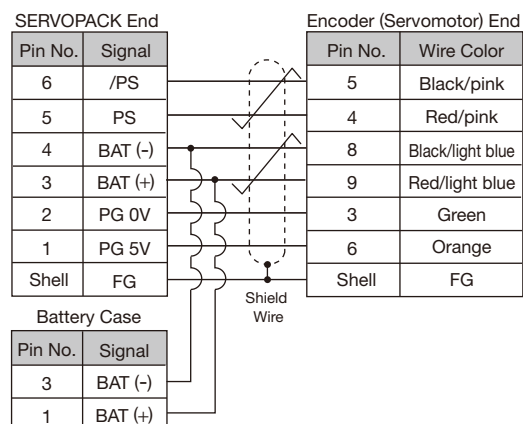


(2) Wiring Specifications for Cable with Connectors (For absolute encoder, with a battery case)

Standard Type

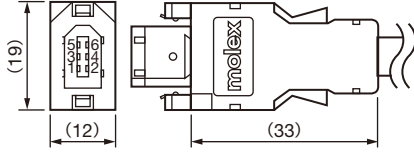
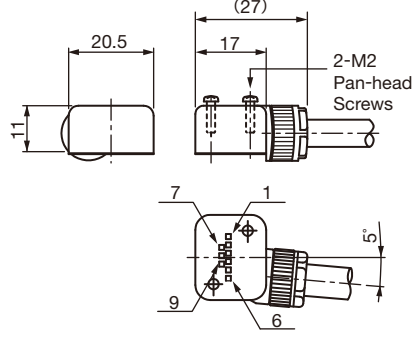


Flexible Type



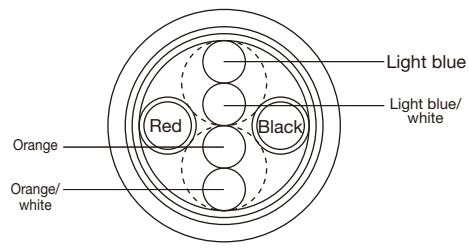
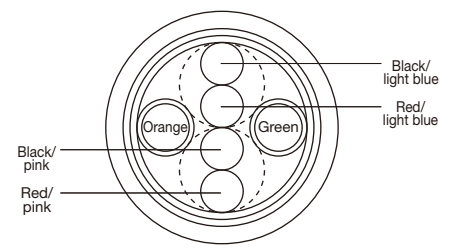
Selecting Cables

(3) SERVOPACK-end/Encoder-end Connector Kit Specifications

Items	SERVOPACK-end Connector Kit	Encoder-end Connector Kit
Order No.	JZSP-CMP9-1-E (Cables are not included.)	JZSP-CSP9-2-E (Cables are not included.)
Manufacturer	Molex Japan LLC	Molex Japan LLC
Specifications	55100-0670 (soldered) Product Specification: PS-54280	54346-0070 (crimped)* Mounting screw: M2 pan-head screw (×2) Outer diameter of applicable cable: 6.3 dia. to 7.7 dia. mm Applicable wire size: AWG22 to 26 Outer diameter of insulating sheath: 1.05 dia. to 1.4 dia. mm Application Specification: AS-54992 Crimping Specification: CS-56161
External Dimensions mm		

*: A crimp tool is required.
The following crimp tool is applicable for the cables provided by Yaskawa. When using other wire sizes, contact the respective manufacturer for crimp tools.
Applicable crimp tool for Yaskawa's wire size: Hand Tool Model No. 57175-5000

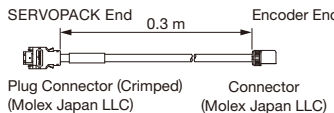
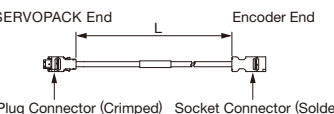
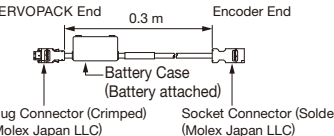

(4) Cable Specifications

Items	Standard Type	Flexible Type
Order No.*	JZSP-CMP09-□□-E	JZSP-CSP39-□□-E
Cable Length	20 m max.	
Specifications	UL20276 (Rating temperature: 80°C) AWG22×2C+AWG24×2P AWG22 (0.33 mm ²) Outer diameter of insulating sheath: 1.15 dia. mm AWG24 (0.20 mm ²) Outer diameter of insulating sheath: 1.09 dia. mm	UL20276 (Rating temperature: 80°C) AWG22×2C+AWG24×2P AWG22 (0.33 mm ²) Outer diameter of insulating sheath: 1.35 dia. mm AWG24 (0.20 mm ²) Outer diameter of insulating sheath: 1.21 dia. mm
Finished Dimensions	6.5 dia. mm	6.8 dia. mm
Internal Configuration and Lead Color		
Yaskawa Standards Specifications (Standard Length)	Cable length: 5 m, 10 m, 15 m, 20 m	

*: Specify the cable length in □□ of order no.
Example: JZSP-CMP09-05-E (5 m)

Selecting Cables

● Relay Encoder Cables (For extending from 30 to 50 m)

Name	Length	Order No. Standard Type	Specifications	Details
① Encoder-end Cables (For incremental and absolute encoder)	0.3 m	JZSP-CSP11-E		(1)
② Cable with Connectors (For incremental and absolute encoder)	30 m	JZSP-UCMP00-30-E		(2)
	40 m	JZSP-UCMP00-40-E		
	50 m	JZSP-UCMP00-50-E		
③ Cable with a Battery Case (Required when an absolute encoder is used*.)	0.3 m	JZSP-CSP12-E		(3)
④ Cables	30 m	JZSP-CMP19-30-E		(4)
	40 m	JZSP-CMP19-40-E		
	50 m	JZSP-CMP19-50-E		

*: Not required when connecting a battery to the host controller.

(1) Wiring Specifications for Encoder-end Cable

SERVOPACK End		Encoder (Servomotor) End	
Pin No.	Signal	Pin No.	Wire Color
6	/PS	5	Light blue/white
5	PS	4	Light blue
4	BAT (-)	8	Orange/white
3	BAT (+)	9	Orange
2	PG 0V	3	Black
1	PG 5V	6	Red
Shell	FG	Shell	FG

Shield Wire

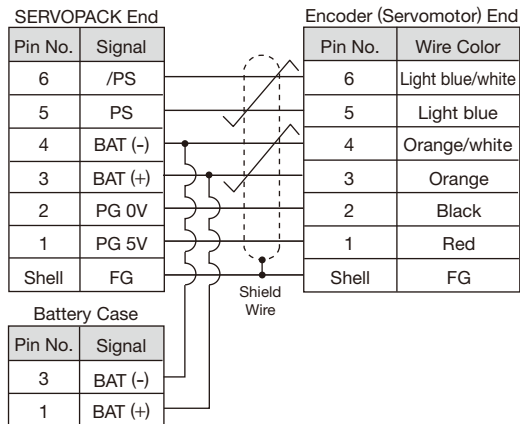
(2) Wiring Specifications for Cable with Connectors

SERVOPACK End		Encoder (Servomotor) End	
Pin No.	Signal	Pin No.	Wire Color
6	/PS	6	Light blue/white
5	PS	5	Light blue
4	BAT (-)	4	Orange/white
3	BAT (+)	3	Orange
2	PG 0V	2	Black
1	PG 5V	1	Red
Shell	FG	Shell	FG

Shield Wire

Selecting Cables

(3) Wiring Specifications for Cable with a Battery Case



(4) Cable Specifications

Item	Standard Type
Order No.*	JZSP-CMP19-□□-E
Cable Length	50 m max.
Specifications	UL20276 (Rating temperature: 80°C) AWG16×2C+AWG26×2P AWG16 (1.31 mm ²) Outer diameter of insulating sheath: 2.0 dia. mm AWG26 (0.13 mm ²) Outer diameter of insulating sheath: 0.91 dia. mm
Finished Dimensions	6.8 dia. mm
Internal Configuration and Lead Colors	
Yaskawa Standard Specifications (Standard Length)	Cable length: 30 m, 40 m, 50 m

*: Specify the cable length in □□ of order no.
Example: JZSP-CMP19-30-E (30 m)

With Low-backlash Gears

Ratings and Specifications

Time Rating: Continuous
Insulation Resistance: 500 VDC, 10 MΩ min.
Ambient Temperature: 0 to 40°C
Excitation: Permanent magnet
Mounting: Flange-mounted
Gear Mechanism: Planetary gear mechanism
Thermal Class: B

Withstand Voltage: 1500 VAC for one minute
Enclosure: Totally enclosed, self-cooled, IP55
 (except for shaft opening)
Ambient Humidity: 20% to 80% (no condensation)
Drive Method: Direct drive
Rotation Direction: Counterclockwise (CCW) with forward run
 reference when viewed from the load side

Servomotor Model SGMAV-	Servomotor					Gear					
	Rated Output W	Rated Speed min ⁻¹	Max. Speed min ⁻¹	Rated Torque N·m	Instantaneous Peak Torque N·m	Gear Ratio	Lost Motion arc-min	Rated Torque / Efficiency*1 N·m / %	Instantaneous Peak Torque N·m	Rated Speed min ⁻¹	Max. Speed min ⁻¹
A5A□AH1□	50	3000	6000	0.159	0.477	1/5	3 max.	0.433/64*2	1.98	600	1200
A5A□AH2□						1/9		1.12/78	3.8	333	667
A5A□AHC□						1/21		2.84/85	9.0	143	286
A5A□AH7□						1/33		3.68/70	13.4	91	182
01A□AH1□	100	3000	6000	0.318	0.955	1/5	3 max.	1.06/78*2	4.20	600	1200
01A□AHB□						1/11		2.52/72	9.0	273	545
01A□AHC□						1/21		5.35/80	17.8	143	286
01A□AH7□						1/33		7.35/70	27.4	91	182
C2A□AH1□	150	3000	6000	0.477	1.43	1/5	3 max.	1.68/83*2	6.45	600	1200
C2A□AHB□						1/11		3.53/79*2	13.9	273	545
C2A□AHC□						1/21		6.3/70*2	26.2	143	286
C2A□AH7□						1/33		11.2/79*2	42.5	91	182
02A□AH1□	200	3000	6000	0.637	1.91	1/5	3 max.	2.39/75	8.31	600	1200
02A□AHB□						1/11		5.74/82	18.7	273	545
02A□AHC□						1/21		10.2/76	35.7	143	286
02A□AH7□						1/33		17.0/81	57.4	91	182
04A□AH1□	400	3000	6000	1.27	3.82	1/5	3 max.	5.35/84	17.2	600	1200
04A□AHB□						1/11		11.5/82	38.2	273	545
04A□AHC□						1/21		23.0/86	74.6	143	286
04A□AH7□						1/33		34.0/81	115	91	182
06A□AH1□	550	3000	6000	1.75	5.25	1/5	3 max.	6.9/79	23.6	600	1200
06A□AHB□						1/11		16.6/86	53.7	273	545
06A□AHC□						1/21		29.4/80	100	143	286
06A□AH7□						1/33		49.1/85	159	91	182
08A□AH1□	750	3000	6000	2.39	7.16	1/5	3 max.	10.0/84	32.9	600	1200
08A□AHB□						1/11		23.1/88	73.3	273	545
08A□AHC□						1/21		42.1/84	138	143	286
08A□AH7□						1/33		69.3/88	220	91	182
10A□AH1□	1000	3000	6000	3.18	9.55	1/5	3 max.	13.7/86	44.4	600	1200
10A□AHB□						1/11		29.1/83	96.6	273	545
10A□AHC□						1/21		58.2/87	186	143	286
10A□AH7□						1/33		94.5/90	296	91	182

*1: Gear output torque is expressed using the following equation.

$$(\text{Gear output torque}) = (\text{Servomotor output torque}) \times \frac{1}{(\text{gear ratio})} \times (\text{efficiency})$$

Gear efficiency depends on operating conditions such as output torque, motor speed, and temperature etc. The values in the table are representative values with rated torque, rated speed, and an ambient temperature of 25°C, and are not guaranteed values.

*2: When using SGMAV-A5A, -01A, -C2A servomotors with a gear ratio of 1/5, or an SGMAV-C2A servomotor with a gear ratio of 1/11, maintain an 85% max. effective load ratio. For an SGMAV-C2A servomotor with a gear ratio of 1/21 or 1/31, maintain a 90% max. effective load ratio.

Notes: 1 The gear mounted to our servomotor has not been broken in. Break in the servomotor if necessary. First, run the motor at low speed with no load. If no problems arise, gradually increase the speed and load.

2 The no-load torque for a servomotor with a gear is high immediately after the servomotor starts, and it then decreases and becomes stable a few minutes later. This is a common phenomenon caused by grease being circulated in the gear and not by a faulty gear.

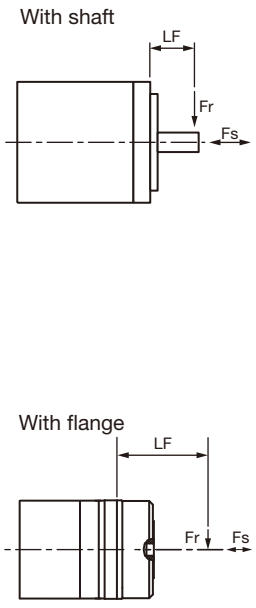
IMPORTANT

The SERVOPACK speed control range is 1:5000. When using servomotors at extremely low speeds (0.02 min⁻¹ at gear output shaft), when using servomotors with one pulse feed reference for extended periods and in some other situations, the gear bearing lubrication may be insufficient. That may cause deterioration of bearing or increase the load ratio. Contact your Yaskawa representative if you are using your servomotor under these conditions.

With Low-backlash Gears Ratings and Specifications

● **Moment of Inertia and Allowable Radial and Thrust Loads**

Servomotor Model SGMAV-	Moment of Inertia × 10 ⁻⁴ kg·m ²				Servomotors with Low-backlash Gears			Reference Diagram
	Motor + Gear	Gear	Flange Output		Allowable Radial Load (Fr) N	Allowable Thrust Load (Fs) N	LF mm	
			Motor + Gear	Gear				
A5A□AH1□	0.0302	0.006	0.0292	0.005	95	431	37	
A5A□AH2□	0.0272	0.003	0.0272	0.003	113	514	37	
A5A□AHC□	0.0282	0.004	0.0282	0.004	146	663	37	
A5A□AH7□	0.0692	0.045	0.0692	0.045	267	1246	53	
01A□AH1□	0.0430	0.005	0.0420	0.004	95	431	37	
01A□AHB□	0.0980	0.060	0.0970	0.059	192	895	53	
01A□AHC□	0.0880	0.050	0.0880	0.050	233	1087	53	
01A□AH7□	0.1030	0.065	0.1020	0.064	605	2581	75	
C2A□AH1□	0.0581	0.005	0.0571	0.004	95	431	37	
C2A□AHB□	0.1131	0.060	0.1121	0.059	192	895	53	
C2A□AHC□	0.1631	0.110	0.1611	0.108	528	2254	75	
C2A□AH7□	0.1181	0.065	0.1171	0.064	605	2581	75	
02A□AH1□	0.323	0.207	0.317	0.201	152	707	53	
02A□AHB□	0.309	0.193	0.308	0.192	192	895	53	
02A□AHC□	0.606	0.490	0.604	0.480	528	2254	75	
02A□AH7□	0.566	0.450	0.565	0.449	605	2581	75	
04A□AH1□	0.397	0.207	0.391	0.201	152	707	53	
04A□AHB□	0.760	0.570	0.750	0.560	435	1856	75	
04A□AHC□	0.680	0.490	0.678	0.488	528	2254	75	
04A□AH7□	0.810	0.620	0.800	0.610	951	4992	128	
06A□AH1□	1.026	0.700	0.986	0.660	343	1465	75	
06A□AHB□	0.896	0.570	0.886	0.560	435	1856	75	
06A□AHC□	1.166	0.840	1.146	0.820	830	4359	128	
06A□AH7□	0.946	0.620	0.936	0.610	951	4992	128	
08A□AH1□	1.469	0.700	1.429	0.660	343	1465	75	
08A□AHB□	1.369	0.600	1.359	0.590	435	1856	75	
08A□AHC□	3.77	3.000	3.75	2.980	830	4359	128	
08A□AH7□	3.57	2.800	3.56	2.790	951	4992	128	
10A□AH1□	1.90	0.700	1.86	0.660	343	1465	75	
10A□AHB□	4.60	3.400	4.54	3.340	684	3590	128	
10A□AHC□	4.20	3.000	4.18	2.980	830	4359	128	
10A□AH7□	4.00	2.800	3.99	2.790	951	4992	128	



SGMAV

IMPORTANT The gear generates the loss at gear mechanism and oil seal. The loss varies with torque and motor speed conditions. The temperature rise depends on heat dissipation conditions. Always check the actual gear and motor temperature. If the temperature is high, take the measures shown below.

- Decrease the load ratio.
- Change the heat dissipation conditions.
- Cool the motor with a cooling fan etc.

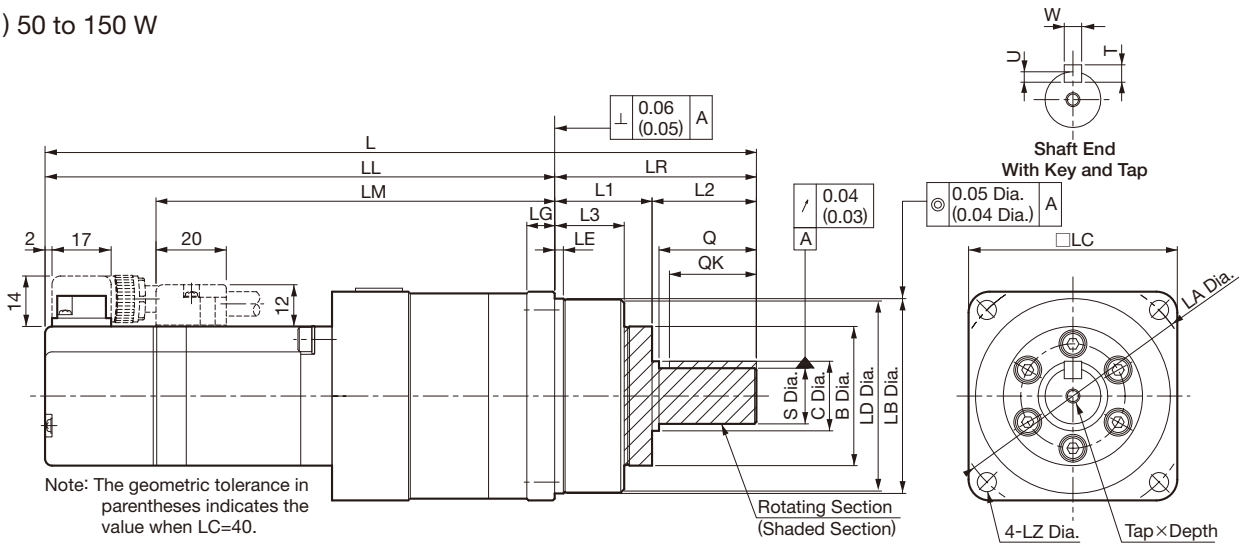
Rated Output W	Heat Sink Size			
	1/5	1/9 or 1/11	1/21	1/33
50	A			
100	A			
150	A			
200	B			
400	B			
550	B			
750	C			
1000	C			

A: 250 mm×250 mm×6 mm, aluminum
 B: 300 mm×300 mm×12 mm, aluminum
 C: 350 mm×350 mm×12 mm, aluminum

With Low-backlash Gears

External Dimensions Units: mm

(1) 50 to 150 W



Model SGMAV-	Gear Ratio	L	LL	LM	Flange Face Dimensions								
					LR	LE	LG	B	LD	LB	LC	LA	LZ
A5A□AH1※1 (A5A□AH1※C)	1/5	152	110	78	42	2.2	5	29	39.5	40 ⁰ _{-0.025}	40	46	3.4
A5A□AH2※1 (A5A□AH2※C)	1/9	(197)	(155)	(87)									
A5A□AHC※1 (A5A□AHC※C)	1/21	161 (206)	119 (164)	87	58	2.5	8	40	55.5	56 ⁰ _{-0.030}	60	70	5.5
A5A□AH7※1 (A5A□AH7※C)	1/33	192.5 (237.5)	134.5 (179.5)	102.5									
01A□AH1※1 (01A□AH1※C)	1/5	164 (209)	122 (167)	90	42	2.2	5	29	39.5	40 ⁰ _{-0.025}	40	46	3.4
01A□AHB※1 (01A□AHB※C)	1/11	204.5 (249.5)	146.5 (191.5)	114.5									
01A□AHC※1 (01A□AHC※C)	1/21	229 (274)	149 (194)	117	80	7.5	10	59	84	85 ⁰ _{-0.035}	90	105	9
01A□AH7※1 (01A□AH7※C)	1/33												
C2A□AH1※1 (C2A□AH1※C)	1/5	176 (221)	134 (179)	102	42	2.2	5	29	39.5	40 ⁰ _{-0.025}	40	46	3.4
C2A□AHB※1 (C2A□AHB※C)	1/11	216.5 (261.5)	158.5 (203.5)	126.5									
C2A□AHC※1 (C2A□AHC※C)	1/21	241 (286)	161 (206)	129	80	7.5	10	59	84	85 ⁰ _{-0.035}	90	105	9
C2A□AH7※1 (C2A□AH7※C)	1/33												

Model SGMAV-	Flange Face Dimensions				Q	C	S	Tap × Depth	Key Dimensions				Approx. Mass kg
	L1	L2	L3	QK					U	W	T		
A5A□AH1※1 (A5A□AH1※C)	22	20	14.6	-	-	10 ⁰ _{-0.015}	M3×6L	15	2.5	4	4	4	0.6 (0.9)
A5A□AH2※1 (A5A□AH2※C)													0.7 (1.0)
A5A□AHC※1 (A5A□AHC※C)													1.3 (1.6)
01A□AH1※1 (01A□AH1※C)	28	30	20	28	20	16 ⁰ _{-0.018}	M4×8L	25	3	5	5	5	0.7 (1.0)
01A□AHB※1 (01A□AHB※C)													1.4 (1.7)
01A□AHC※1 (01A□AHC※C)													2.8 (3.1)
01A□AH7※1 (01A□AH7※C)	36	44	26	42	32	25 ⁰ _{-0.021}	M6×12L	36	4	8	7	7	2.8 (3.1)
C2A□AH1※1 (C2A□AH1※C)													0.8 (1.1)
C2A□AHB※1 (C2A□AHB※C)													1.5 (1.8)
C2A□AHC※1 (C2A□AHC※C)	36	44	26	42	32	25 ⁰ _{-0.021}	M6×12L	36	4	8	7	7	2.9 (3.2)
C2A□AH7※1 (C2A□AH7※C)													

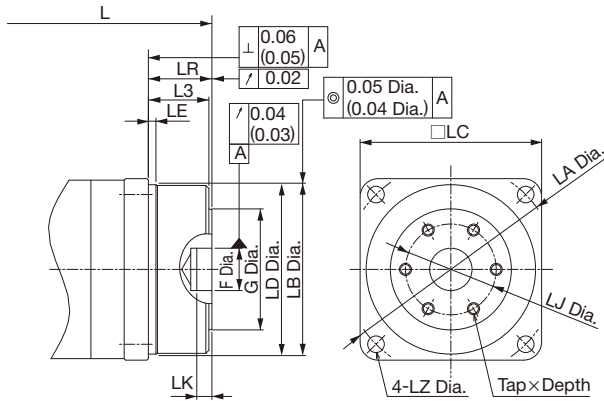
: The asterisk () describes the values of the 8th digit of the model designation, "shaft end code 6 (straight with key and tap)." If a key or tap is not necessary, order a servomotor with "shaft end code 2 (without key and tap)."

Notes: 1 The models and values in parentheses are for servomotors with holding brakes.

2 Please note that gear dimensions are different from those of Σ-I, Σ-II, and Σ-III series.

With Low-backlash Gears External Dimensions Units: mm

● Flange Output Face



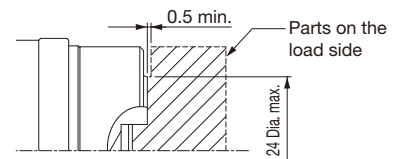
Note: The geometric tolerance in parentheses indicates the value when LC=40.

Model SGMVA-	Gear Ratio	L	LR	LJ	F	G	LK	No. of pcs Tap x Depth	Approx. Mass kg
A5A□AH101 (A5A□AH10C)	1/5	125 (170)	15	18	5 ^{+0.012} ₀	24	3	3-M4x6L	0.6 (0.9)
A5A□AH201 (A5A□AH20C)	1/9								
A5A□AHC01 (A5A□AHC0C)	1/21	134 (179)							
A5A□AH701 (A5A□AH70C)	1/33	155.5 (200.5)	21	30	14 ^{+0.018} ₀	40	5	6-M4x7L	1.2 (1.5)
01A□AH101 (01A□AH10C)	1/5	137 (182)	15	18	5 ^{+0.012} ₀	24	3	3-M4x6L	0.7 (1.0)
01A□AHB01 (01A□AHB0C)	1/11	167.5 (212.5)	21	30	14 ^{+0.018} ₀	40	5	6-M4x7L	1.3 (1.6)
01A□AHC01 (01A□AHC0C)	1/21								
01A□AH701 (01A□AH70C)	1/33	176 (221)	27	45	24 ^{+0.021} ₀	59	5	6-M6x10L	2.4 (2.7)
C2A□AH101 (C2A□AH10C)	1/5	149 (194)	15	18	5 ^{+0.012} ₀	24	3	3-M4x6L	0.8 (1.1)
C2A□AHB01 (C2A□AHB0C)	1/11	179.5 (224.5)	21	30	14 ^{+0.018} ₀	40	5	6-M4x7L	1.4 (1.7)
C2A□AHC01 (C2A□AHC0C)	1/21	188 (233)	27	45	24 ^{+0.021} ₀	59	5	6-M6x10L	2.5 (2.8)
C2A□AH701 (C2A□AH70C)	1/33								

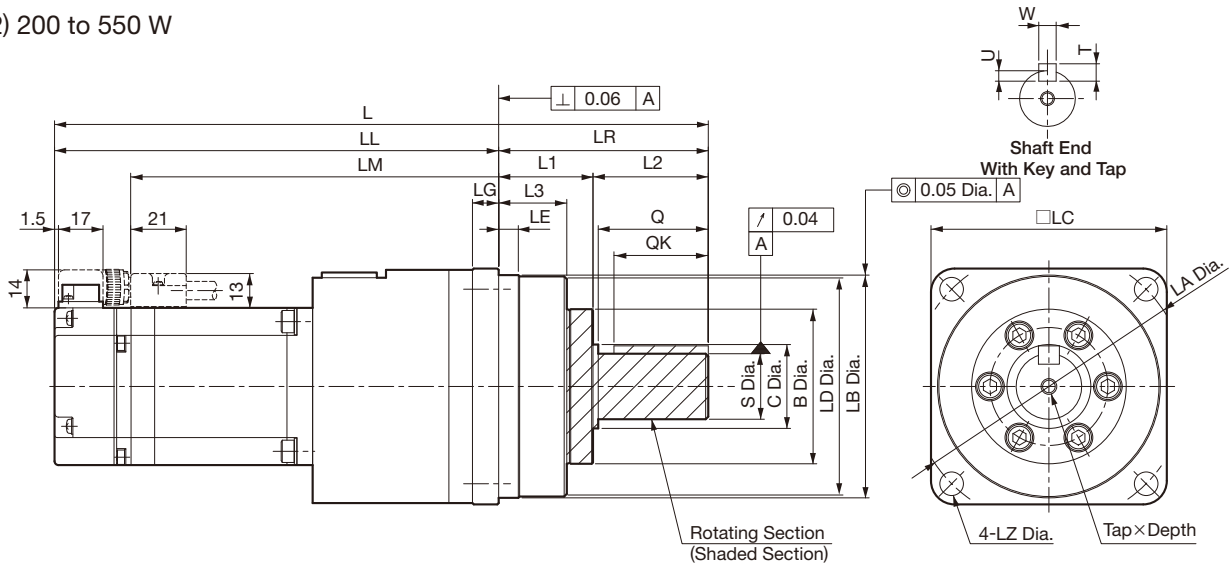
Notes: 1 The models and values in parentheses are for servomotors with holding brakes.
2 The dimensions not given on the table above are the same as those in the table on the previous page.

IMPORTANT

Regarding the flange output type shaft end, when the flange "LC" is 40 mm, we recommend designing a servomotor with the dimensions shown in the diagram on the right, in order to secure the gap between the gear oil seal and the parts on the load side.



(2) 200 to 550 W



Model SGMAV-	Gear Ratio	L	LL	LM	Flange Face Dimensions									
					LR	LE	LG	B	LD	LB	LC	LA	LZ	
02A□AH1※1 (02A□AH1※C)	1/5	202 (242)	144 (184)	115	58	2.5	8	40	55.5	56 ⁰ _{-0.030}	60	70	5.5	
02A□AHB※1 (02A□AHB※C)	1/11													
02A□AHC※1 (02A□AHC※C)	1/21	231 (271)	151 (191)	122	80	7.5	10	59	84	85 ⁰ _{-0.035}	90	105	9	
02A□AH7※1 (02A□AH7※C)	1/33													
04A□AH1※1 (04A□AH1※C)	1/5	220.5 (260.5)	162.5 (202.5)	133.5	58	2.5	8	40	55.5	56 ⁰ _{-0.030}	60	70	5.5	
04A□AHB※1 (04A□AHB※C)	1/11	249.5 (289.5)	169.5 (209.5)	140.5	80	7.5	10	59	84	85 ⁰ _{-0.035}	90	105	9	
04A□AHC※1 (04A□AHC※C)	1/21													
04A□AH7※1 (04A□AH7※C)	1/33	335.5 (375.5)	202.5 (242.5)	173.5	133	12.5	13	84	114	115 ⁰ _{-0.035}	120	135	11	
06A□AH1※1 (06A□AH1※C)	1/5	275.5 (321.5)	195.5 (241.5)	166.5	80	7.5	10	59	84	85 ⁰ _{-0.035}	90	105	9	
06A□AHB※1 (06A□AHB※C)	1/11													
06A□AHC※1 (06A□AHC※C)	1/21	361.5 (407.5)	228.5 (274.5)	199.5	133	12.5	13	84	114	115 ⁰ _{-0.035}	120	135	11	
06A□AH7※1 (06A□AH7※C)	1/33													

Model SGMAV-	Flange Face Dimensions						Tap × Depth	Key Dimensions				Approx. Mass kg
	L1	L2	L3	Q	C	S		QK	U	W	T	
02A□AH1※1 (02A□AH1※C)	28	30	20	28	20	16 ⁰ _{-0.018}	M4×8L	25	3	5	5	1.9 (2.5)
02A□AHB※1 (02A□AHB※C)												2.0 (2.6)
02A□AHC※1 (02A□AHC※C)	36	44	26	42	32	25 ⁰ _{-0.021}	M6×12L	36	4	8	7	3.8 (4.4)
02A□AH7※1 (02A□AH7※C)												
04A□AH1※1 (04A□AH1※C)	28	30	20	28	20	16 ⁰ _{-0.018}	M4×8L	25	3	5	5	2.2 (2.8)
04A□AHB※1 (04A□AHB※C)												4.1 (4.7)
04A□AHC※1 (04A□AHC※C)	36	44	26	42	32	25 ⁰ _{-0.021}	M6×12L	36	4	8	7	4.6 (5.3)
04A□AH7※1 (04A□AH7※C)												8.7 (9.3)
06A□AH1※1 (06A□AH1※C)	36	44	26	42	32	25 ⁰ _{-0.021}	M6×12L	36	4	8	7	4.4 (5.1)
06A□AHB※1 (06A□AHB※C)												9.2 (9.9)
06A□AHC※1 (06A□AHC※C)	48	85	33	82	44	40 ⁰ _{-0.025}	M10×20L	70	5	12	8	9.2 (9.9)
06A□AH7※1 (06A□AH7※C)												

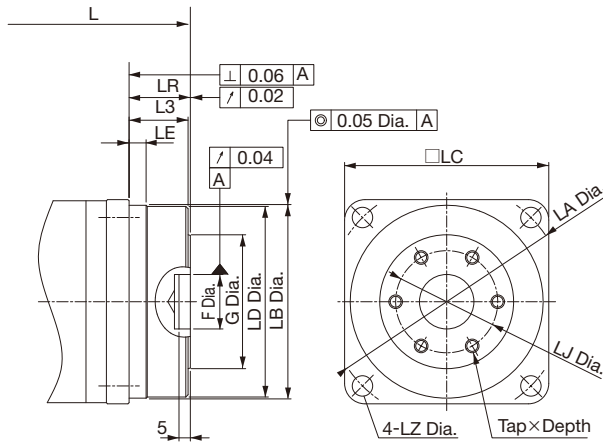
※: The asterisk (※) describes the values of the 8th digit of the model designation, "shaft end code 6 (straight with key and tap)." If a key or tap is not necessary, order a servomotor with "shaft end code 2 (without key and tap)."

Notes: 1 The models and values in parentheses are for servomotors with holding brakes.

2 Please note that gear dimensions are different from those of Σ-I, Σ-II, and Σ-III series.

With Low-backlash Gears External Dimensions Units: mm

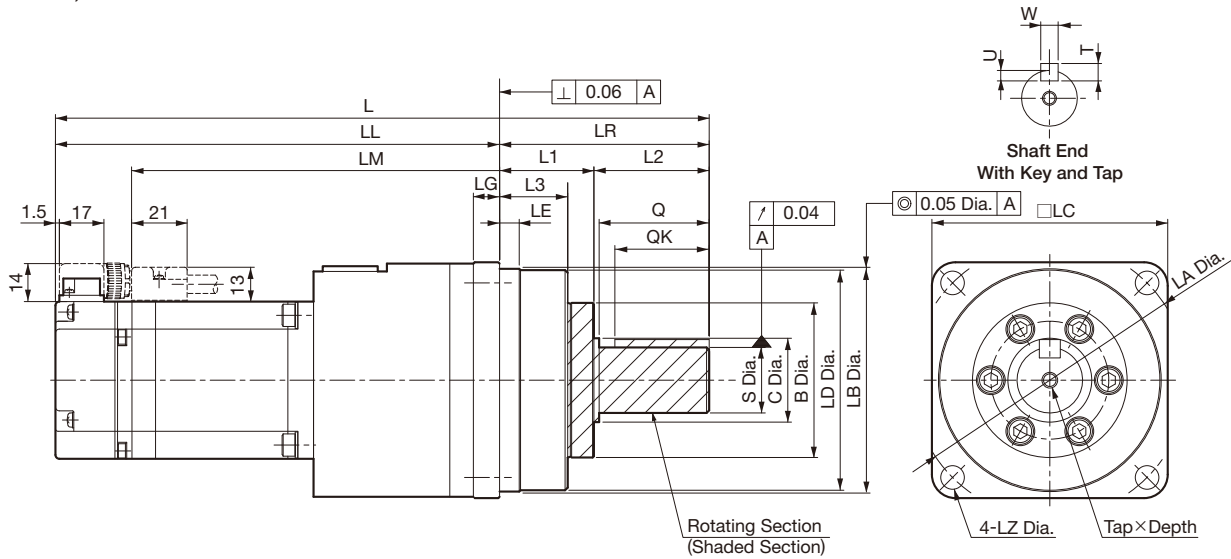
● Flange Output Face



Model SGMAV-	Gear Ratio	L	LR	LJ	F	G	No. of pcs Tap x Depth	Approx. Mass kg
02A□AH101 (02A□AH10C)	1/5	165 (205)	21	30	14 ^{+0.018} ₀	40	6-M4×7L	1.8 (2.4)
02A□AHB01 (02A□AHB0C)	1/11							1.9 (2.5)
02A□AHC01 (02A□AHC0C)	1/21	178 (218)	27	45	24 ^{+0.021} ₀	59	6-M6×10L	3.4 (4.0)
02A□AH701 (02A□AH70C)	1/33							
04A□AH101 (04A□AH10C)	1/5	183.5 (223.5)	21	30	14 ^{+0.018} ₀	40	6-M4×7L	2.1 (2.7)
04A□AHB01 (04A□AHB0C)	1/11	196.5 (236.5)	27	45	24 ^{+0.021} ₀	59	6-M6×10L	3.7 (4.3)
04A□AHC01 (04A□AHC0C)	1/21							
04A□AH701 (04A□AH70C)	1/33	237.5 (277.5)	35	60	32 ^{+0.025} ₀	84	6-M8×12L	7.3 (7.9)
06A□AH101 (06A□AH10C)	1/5	222.5 (268.5)	27	45	24 ^{+0.021} ₀	59	6-M6×10L	4.0 (4.7)
06A□AHB01 (06A□AHB0C)	1/11							4.2 (4.9)
06A□AHC01 (06A□AHC0C)	1/21	263.5 (309.5)	35	60	32 ^{+0.025} ₀	84	6-M8×12L	7.8 (8.5)
06A□AH701 (06A□AH70C)	1/33							

Notes: 1 The models and values in parentheses are for servomotors with holding brakes.
2 The dimensions not given on the table above are the same as those in the table on the previous page.

(3) 750 W, 1.0 kW



Model SGMAV-	Gear Ratio	L	LL	LM	Flange Face Dimensions								
					LR	LE	LG	B	LD	LB	LC	LA	LZ
08A□AH1※1 (08A□AH1※C)	1/5	273 (318)	193 (238)	163	80	7.5	10	59	84	85	90	105	9
08A□AHB※1 (08A□AHB※C)	1/11												
08A□AHC※1 (08A□AHC※C)	1/21	352 (397)	219 (264)	189	133	12.5	13	84	114	115	120	135	11
08A□AH7※1 (08A□AH7※C)	1/33												
10A□AH1※1 (10A□AH1※C)	1/5	303 (353)	223 (273)	193	80	7.5	10	59	84	85	90	105	9
10A□AHB※1 (10A□AHB※C)	1/11												
10A□AHC※1 (10A□AHC※C)	1/21	382 (432)	249 (299)	219	133	12.5	13	84	114	115	120	135	11
10A□AH7※1 (10A□AH7※C)	1/33												

Model SGMAV-	Flange Face Dimensions			Q	C	S	Tap × Depth	Key Dimensions				Approx. Mass kg
	L1	L2	L3					QK	U	W	T	
08A□AH1※1 (08A□AH1※C)	36	44	26	42	32	25	M6×12L	36	4	8	7	5.2 (6.1)
08A□AHB※1 (08A□AHB※C)												5.4 (6.3)
08A□AHC※1 (08A□AHC※C)	48	85	33	82	44	40	M10×20L	70	5	12	8	10.1 (11)
08A□AH7※1 (08A□AH7※C)												
10A□AH1※1 (10A□AH1※C)	36	44	26	42	32	25	M6×12L	36	4	8	7	6.5 (7.5)
10A□AHB※1 (10A□AHB※C)												
10A□AHC※1 (10A□AHC※C)	48	85	33	82	44	40	M10×20L	70	5	12	8	11.4 (12.4)
10A□AH7※1 (10A□AH7※C)												

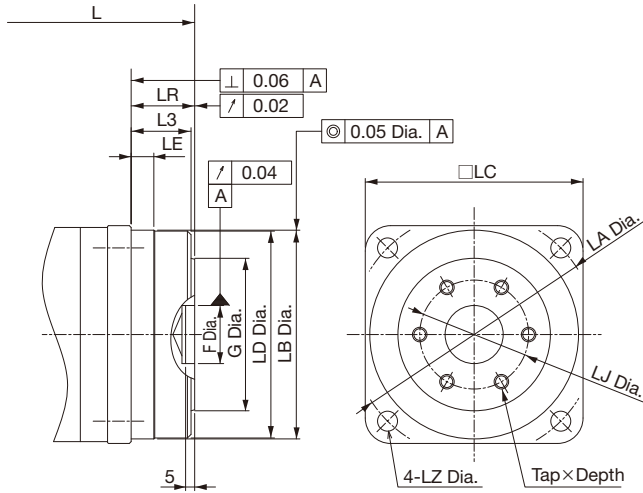
: The asterisk () describes the values of the 8th digit of the model designation, "shaft end code 6 (straight with key and tap)." If a key or tap is not necessary, order a servomotor with "shaft end code 2 (without key and tap)."

Notes: 1 The models and values in parentheses are for servomotors with holding brakes.

2 Please note that gear dimensions are different from those of Σ-I, Σ-II, and Σ-III series.

With Low-backlash Gears External Dimensions Units: mm

● Flange Output Face



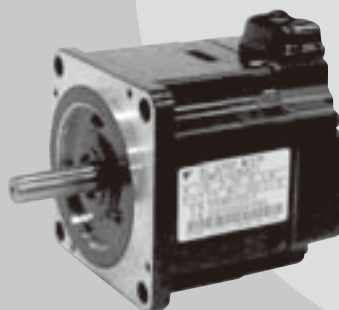
Model SGMAV-	Gear Ratio	L	LR	LJ	F	G	No. of pcs Tap x Depth	Approx. Mass kg
08A□AH101 (08A□AH10C)	1/5	220 (265)	27	45	24 ^{+0.021} ₀	59	6-M6x10L	4.8 (5.7)
08A□AHB01 (08A□AHB0C)	1/11							5.0 (5.9)
08A□AHC01 (08A□AHC0C)	1/21	254 (299)	35	60	32 ^{+0.025} ₀	84	6-M8x12L	8.7 (9.6)
08A□AH701 (08A□AH70C)	1/33							
10A□AH101 (10A□AH10C)	1/5	250 (300)	27	45	24 ^{+0.021} ₀	59	6-M6x10L	6.1 (7.1)
10A□AHB01 (10A□AHB0C)	1/11							
10A□AHC01 (10A□AHC0C)	1/21	284 (334)	35	60	32 ^{+0.025} ₀	84	6-M8x12L	10.0 (11.0)
10A□AH701 (10A□AH70C)	1/33							

Notes: 1 The models and values in parentheses are for servomotors with holding brakes.
2 The dimensions not given on the table above are the same as those in the table on the previous page.

SGMAV

Rotary Servomotors

SGMPS



Model Designations

• Without Gears

SGMPS - 01 A C A 2 1 - E

Σ-III Series Servomotor SGMPS
1st+2nd digits
3rd digit
4th digit
5th digit
6th digit
7th digit
8th digit

1st+2nd digits Rated Output

Code	Specifications
01	100 W
02	200 W
04	400 W
08	750 W
15	1.5 kW

3rd digit Power Supply Voltage

Code	Specifications
A	200 VAC

4th digit Serial Encoder

Code	Specifications
2	17-bit absolute (standard)
C	17-bit incremental (standard)

5th digit Design Revision Order

Code	Specifications
A	IP55 (standard)
E	IP67 (optional)

6th digit Shaft End

Code	Specifications
2	Straight without key (standard)
6	Straight with key and tap (optional)

7th digit Options

Code	Specifications
1	Without options
C	With holding brake (24 VDC)
E	With oil seal and holding brake (24 VDC)
S	With oil seal

8th digit RoHS Directive

Code	Specifications
E	RoHS Compliant

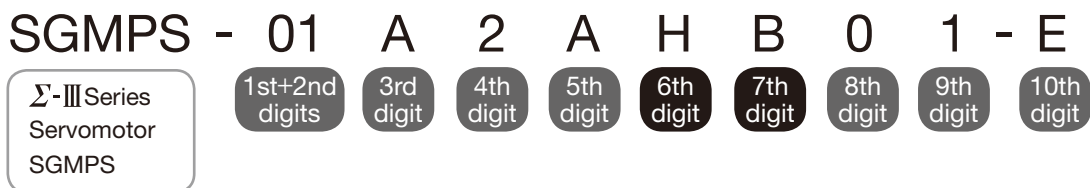
Features

- Medium inertia
- Flat type
- Mounted high-resolution serial encoder: 17 bits
- Maximum speed: 6,000 min⁻¹
- Wide selection: 100 W to 1.5 kW capacity, holding brake and gear options
- Standard protection level: IP55 (IP67 available on request)

Application Examples

- Semiconductor equipment
- Chip mounters
- PCB drilling stations
- Robots
- Material handling machines
- Food processing equipment

● With Gears



1st+2nd digits Rated Output

Code	Specifications
01	100 W
02	200 W
04	400 W
08	750 W
15	1.5 kW

3rd digit Power Supply Voltage

Code	Specifications
A	200 VAC

4th digit Serial Encoder

Code	Specifications
2	17-bit absolute (standard)
C	17-bit incremental (standard)

5th digit Design Revision Order

Code	Specifications
A	IP55 (standard)

6th digit Gear Type

Code	Specifications
H	HDS planetary low-backlash gear

7th digit Gear Ratio

Code	Specifications
B	1/11
C	1/21
1	1/5
7	1/33

8th digit Shaft End

Code	Specifications
0	Flange output
2	Straight without key
6	Straight with key and tap (optional)

9th digit Options

Code	Specifications
1	Without holding brake
C	With holding brake (24 VDC)

10th digit RoHS Directive

Code	Specifications
E	RoHS Compliant

Ratings and Specifications

Time Rating: Continuous
Vibration Class: V15
Insulation Resistance: 500 VDC, 10 MΩ min.
Ambient Temperature: 0 to 40°C
Excitation: Permanent magnet
Mounting: Flange-mounted
Thermal Class: B

Withstand Voltage: 1500 VAC for one minute
Enclosure: Totally enclosed, self-cooled, IP55
 (except for shaft opening)
Ambient Humidity: 20% to 80% (no condensation)
Drive Method: Direct drive
Rotation Direction: Counterclockwise (CCW) with forward run
 reference when viewed from the load side

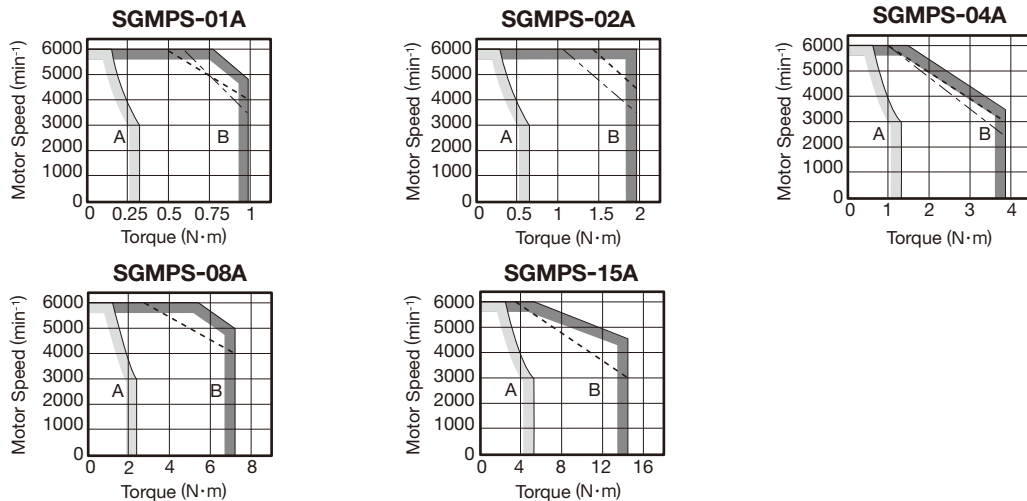
Voltage		200 V				
Servomotor Model: SGMPS-□□□□		01A	02A	04A	08A	15A
Rated Output*1	W	100	200	400	750	1500
Rated Torque*1, *2	N·m	0.318	0.637	1.27	2.39	4.77
Instantaneous Peak Torque*1	N·m	0.955	1.91	3.82	7.16	14.3
Rated Current*1	Arms	0.86	2.0	2.6	5.4	9.2
Instantaneous Max. Current*1	Arms	2.8	6.4	8.4	16.5	28.0
Rated Speed*1	min ⁻¹	3000				
Max. Speed*1	min ⁻¹	6000				
Torque Constant	N·m/Arms	0.401	0.361	0.524	0.476	0.559
Rotor Moment of Inertia	×10 ⁻⁴ kg·m ²	0.0592 (0.0892)	0.263 (0.415)	0.409 (0.561)	2.10 (2.98)	4.02 (4.90)
Rated Power Rate*1	kW/s	17.1	15.4	39.6	27.2	56.6
Rated Angular Acceleration*1	rad/s ²	53700	24200	31100	11400	11900
Applicable SERVOPACK	SGDV-□□□□	R90□	2R8A, 2R1F	2R8□	5R5A	120A

*1: These items and torque-motor speed characteristics quoted in combination with an SGDV SERVOPACK are at an armature winding temperature of 100°C. Other values quoted are at 20°C.

*2: Rated torques are continuous allowable torque values at 40°C with an aluminum heat sink of the following dimensions attached.
 SGMPS-01, 02, 04 : 250 mm×250 mm×6 mm
 SGMPS-08, 15 : 300 mm×300 mm×12 mm

Note: The values in parentheses are for servomotors with holding brakes.

● Torque-Motor Speed Characteristics A: Continuous Duty Zone B: Intermittent Duty Zone



Notes: 1 The characteristics of the intermittent duty zone differ depending on the supply voltage. The solid, dotted, and dashed-dotted lines of the intermittent duty zone indicate the characteristics when a servomotor runs with the following combinations:

- The solid line: With a three-phase 200 V or a single-phase 230 V SERVOPACK
- The dotted line: With a single-phase 200 V SERVOPACK
- The dashed-dotted line: With a single-phase 100 V SERVOPACK

2 When the effective torque is within the rated torque, the servomotor can be used within the intermittent duty zone.

3 When the main circuit cable length exceeds 20 m, note that the intermittent duty zone of the *Torque-Motor Speed Characteristics* will shrink as the line-to-line voltage drops.

Ratings and Specifications

● Derating Rate for Servomotor Fitted with an Oil Seal

When a motor is fitted with an oil seal, use the following derating rate because of the higher friction torque.

Servomotor Model SGMPS-	01A	02A	04A	08A	15A
Derating Rate %	90			95	

● Holding Brake Electrical Specifications

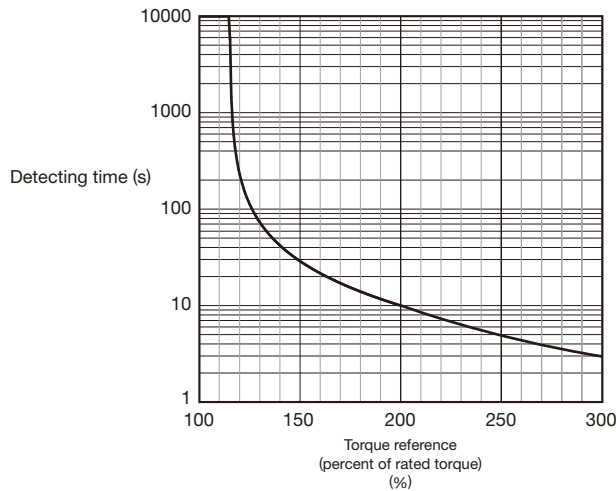
Holding Brake Rated Voltage	Servomotor Model	Servomotor Rated Output W	Holding Brake Specifications					
			Capacity W	Holding Torque N·m	Coil Resistance Ω(at 20°C)	Rated Current A(at 20°C)	Brake Release Time ms	Brake Operation Time ms
24 VDC ^{+10%} ₀	SGMPS-01A	100	7.8	0.318	73.9	0.33	20	100
	SGMPS-02A	200	7.6	0.637	76.1	0.32	40	100
	SGMPS-04A	400	8.2	1.27	70.3	0.34	40	100
	SGMPS-08A	750	7.5	2.39	76.8	0.31	20	100
	SGMPS-15A	1500	10	4.77	57.6	0.42	20	100

Notes: 1 The holding brake is only used to hold the load and cannot be used to stop the servomotor.

2 The holding brake open time and holding brake operation time vary depending on which discharge circuit is used. Make sure holding brake open time and holding brake operation time are correct for your servomotor.

● Overload Characteristics

The overload detection level is set under hot start conditions at a servomotor ambient temperature of 40°C.



Note: Overload characteristics shown above do not guarantee continuous duty of 100% or more output. Use a servomotor with effective torque within the continuous duty zone of *Torque-Motor Speed Characteristics*.

Ratings and Specifications

● Allowable Load Moment of Inertia at the Motor Shaft

The rotor moment of inertia ratio is the value for a servomotor without a gear and a holding brake.

Servomotor Model		Servomotor Rated Output	Allowable Load Moment of Inertia (Rotor Moment of Inertia Ratio)
SGMPS-	01	100 W	25 times
	02	200 W	15 times
	04	400 W	7 times
	08	750 W	5 times
	15	1500 W	

● Load Moment of Inertia

The larger the load moment of inertia, the worse the movement response.

The allowable load moment of inertia (J_L) depends on the motor capacity, as shown above. This value is provided strictly as a guideline and results may vary depending on servomotor drive conditions.

Use the AC servo drive capacity selection program SigmaSize+ to check the operation conditions.

The program can be downloaded for free from our web site (<http://www.e-mechatronics.com/>).

An overvoltage alarm (A.400) is likely to occur during deceleration if the load moment of inertia exceeds the allowable load moment of inertia. SERVOPACKs with a built-in regenerative resistor may generate a regenerative overload alarm (A.320). Take one of the following steps if this occurs.

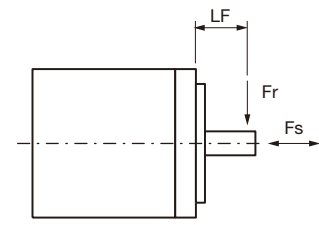
- Reduce the torque limit.
- Reduce the deceleration rate.
- Reduce the maximum speed.
- Install an external regenerative resistor if the alarm cannot be cleared using the steps above. Refer to *Regenerative Resistors* on page 375.

Regenerative resistors are not built into SERVOPACKs for 400 W motors or less.

External regenerative resistors are required when this condition is exceeded or if the allowable loss capacity (W) of the built-in regenerative resistor is exceeded due to regenerative drive conditions when a regenerative resistor is already built in.

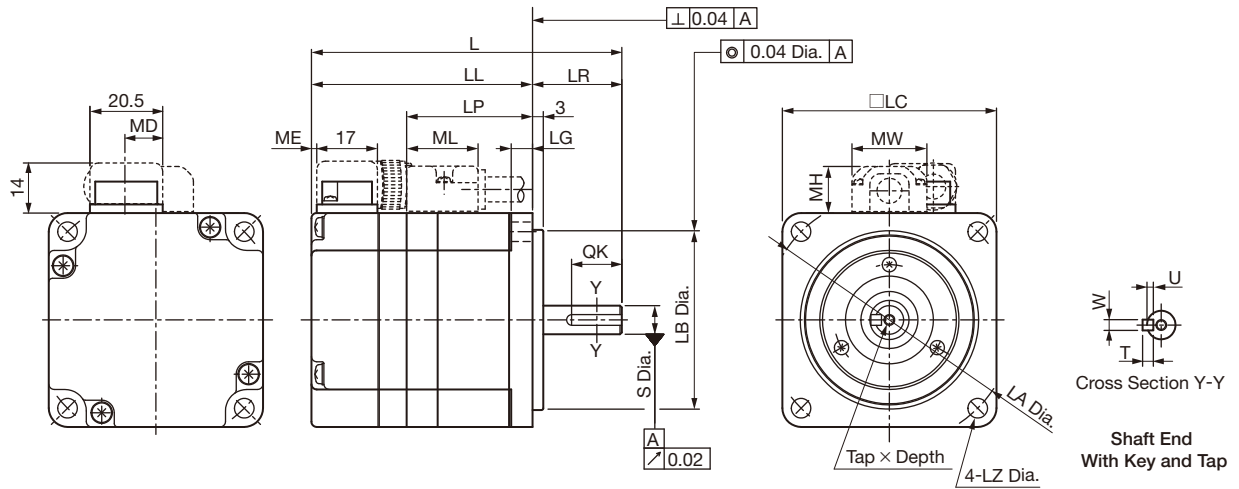
● Allowable Radial and Thrust Loads

Design the mechanical system so thrust and radial loads applied to the servomotor shaft end during operation fall within the ranges shown in the table.

Servomotor Model		Allowable Radial Load (F_r) N	Allowable Thrust Load (F_s) N	LF mm	Reference Diagram
SGMPS-	01A	78	49	20	
	02A	245	68	25	
	04A				
	08A	392	147	35	
	15A	490	147	35	

External Dimensions Units: mm

(1) 100 to 400 W

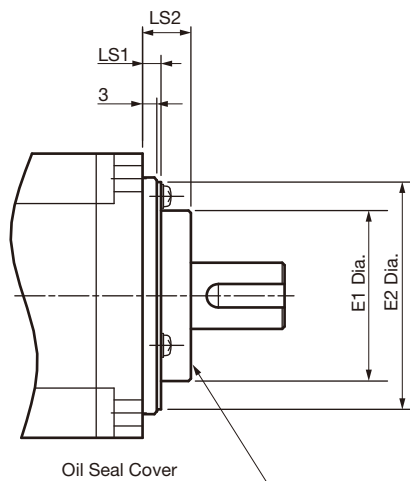


Model SGMPS-	L	LL	LP	LR	LC	LA	LB	LZ	LG	S	Tap x Depth	Key Dimensions				MD	ME	MH	ML	MW	Approx. Mass kg
												QK	U	W	T						
01A□A21-E (01A□A2C-E)	87 (115)	62 (90)	36	25	60	70	50 ⁰ _{-0.025}	5.5	6	8 ⁰ _{-0.009}	No tap	No key				9	1	12	20	19.8	0.5 (0.7)
01A□A61-E (01A□A6C-E)											M3x6L	14	1.8	3	3						
02A□A21-E (02A□A2C-E)	97 (128.5)	67 (98.5)	43	30	80	90	70 ⁰ _{-0.030}	7	8	14 ⁰ _{-0.011}	No tap	No key				14	1.5	13	21	21	1.1 (1.6)
02A□A61-E (02A□A6C-E)											M5x8L	16	3	5	5						
04A□A21-E (04A□A2C-E)	107 (138.5)	77 (108.5)	53	30	80	90	70 ⁰ _{-0.030}	7	8	14 ⁰ _{-0.011}	No tap	No key				14	1.5	13	21	21	1.4 (1.9)
04A□A61-E (04A□A6C-E)											M5x8L	16	3	5	5						

Note: The models and values in parentheses are for servomotors with holding brakes.

<Option>

● With an Oil Seal

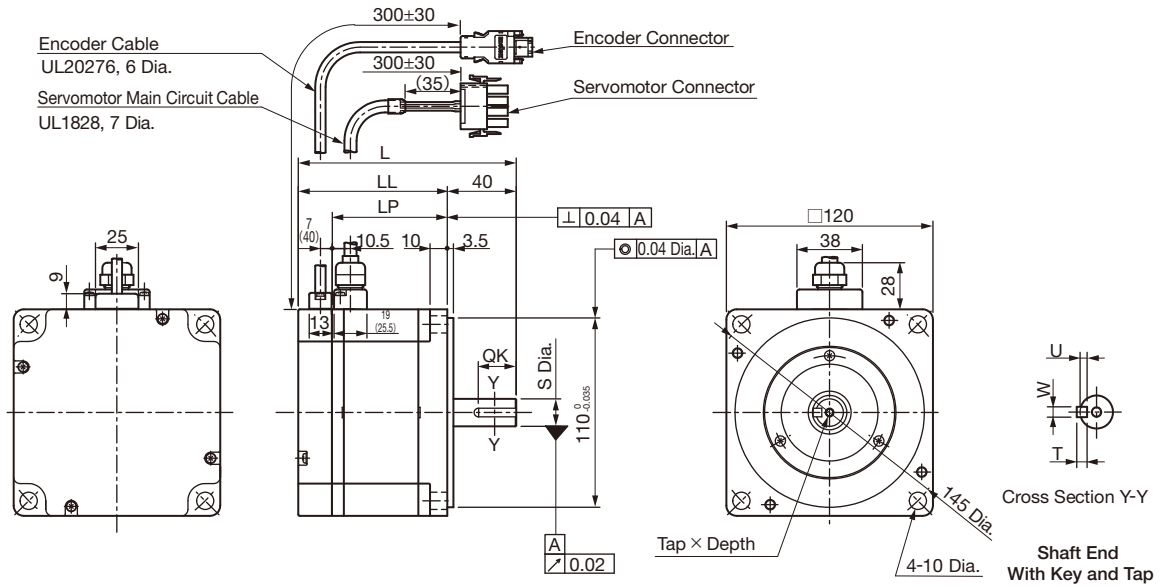


Model SGMPS-	Dimensions of Servomotor with an Oil Seal			
	E1	E2	LS1	LS2
01A	22	39	3.5	7
02A,04A	35	49	6.5	10

Note: The 7th digit of the model designation is "S" or "E."
The key dimensions are the same as those in the table above.

External Dimensions Units: mm

(2) 750 W, 1.5 kW

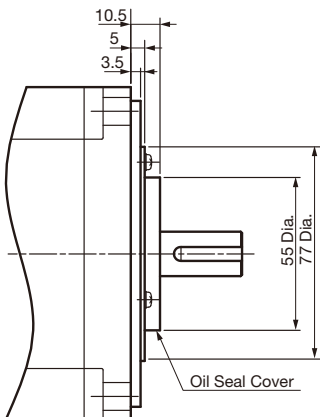


Model SGMPS-	L	LL	LP	S	Tap × Depth	Key Dimensions				Approx. Mass kg
						QK	U	W	T	
08A□A21-E (08A□A2C-E)	126.5 (160)	86.5 (120)	66.7	16 ⁰ _{-0.011}	No tap	No key				4.2 (5.7)
08A□A61-E (08A□A6C-E)					M5×8L	22	3	5	5	
15A□A21-E (15A□A2C-E)	154.5 (187.5)	114.5 (147.5)	94.7	19 ⁰ _{-0.013}	No tap	No key				6.6 (8.1)
15A□A61-E (15A□A6C-E)					M6×10L	22	3.5	6	6	

Note: The models and values in parentheses are for servomotors with holding brakes.

<Option>

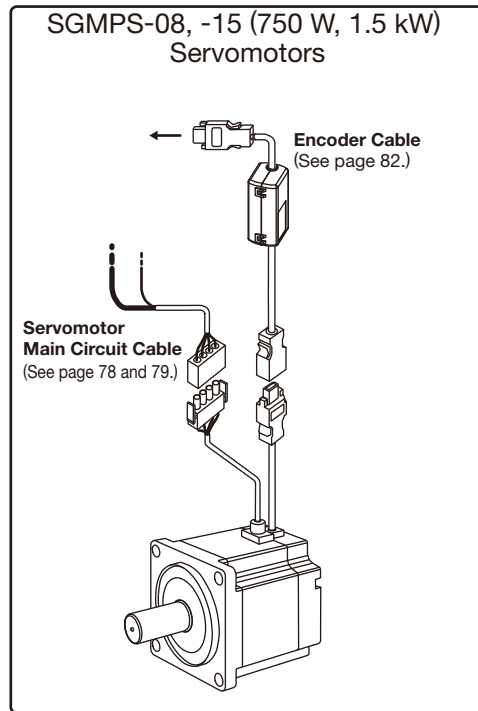
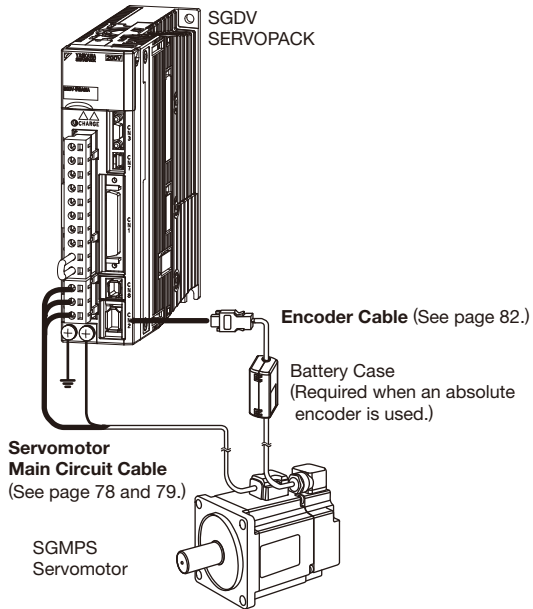
● With an Oil Seal



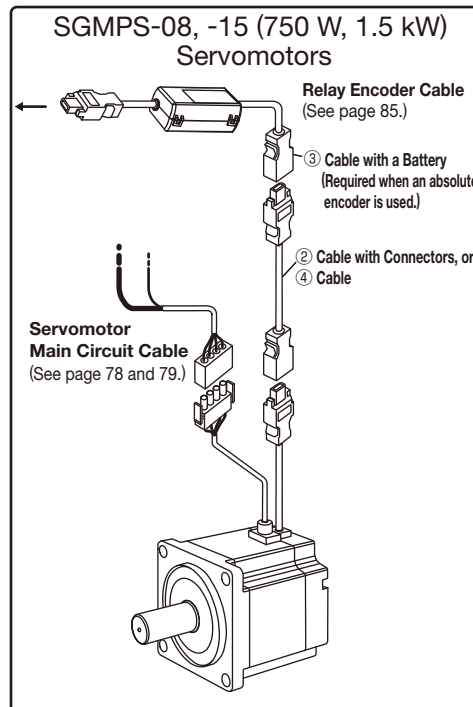
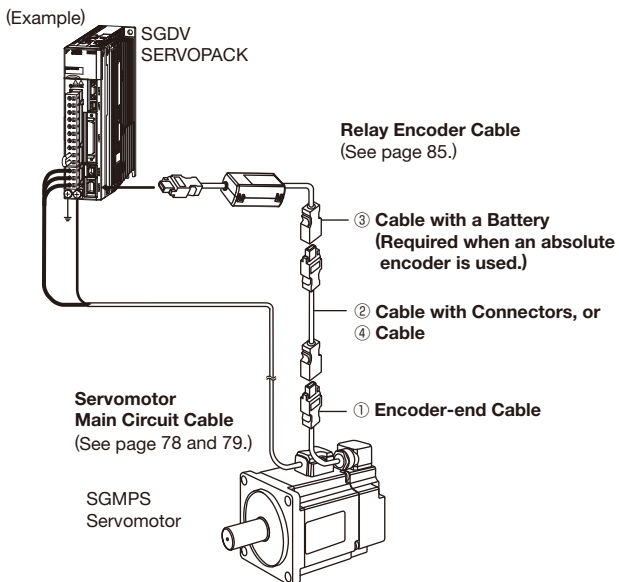
Selecting Cables

● **Cables Connections**

- Standard Wiring (Max. encoder cable length: 20 m)



- Encoder Cable Extension from 30 to 50 m
(See page 85.)



CAUTION

- Separate the servomotor main circuit cable wiring from the I/O signal cable and encoder cable at least 30 cm, and do not bundle or run them in the same duct.
- When the cable length exceeds 20 m, be sure to use a relay encoder cable.
- When the main circuit cable length exceeds 20 m, note that the intermittent duty zone of the *Torque-Motor Speed Characteristics* will shrink as the line-to-line voltage drops.

Selecting Cables

● Servomotor Main Circuit Cable

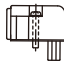


Name	Servomotor Rated Output	Length	Order No.		Specifications	Details
			Standard Type	Flexible Type*		
For Servomotor without Holding Brakes	100 W	3 m	JZSP-CSM01-03-E	JZSP-CSM21-03-E		(1)
		5 m	JZSP-CSM01-05-E	JZSP-CSM21-05-E		
		10 m	JZSP-CSM01-10-E	JZSP-CSM21-10-E		
		15 m	JZSP-CSM01-15-E	JZSP-CSM21-15-E		
		20 m	JZSP-CSM01-20-E	JZSP-CSM21-20-E		
		30 m	JZSP-CSM01-30-E	JZSP-CSM21-30-E		
		40 m	JZSP-CSM01-40-E	JZSP-CSM21-40-E		
	200 W, 400 W	3 m	JZSP-CSM02-03-E	JZSP-CSM22-03-E		
		5 m	JZSP-CSM02-05-E	JZSP-CSM22-05-E		
		10 m	JZSP-CSM02-10-E	JZSP-CSM22-10-E		
		15 m	JZSP-CSM02-15-E	JZSP-CSM22-15-E		
		20 m	JZSP-CSM02-20-E	JZSP-CSM22-20-E		
		30 m	JZSP-CSM02-30-E	JZSP-CSM22-30-E		
		40 m	JZSP-CSM02-40-E	JZSP-CSM22-40-E		
	750 W	3 m	JZSP-CMM00-03-E	JZSP-CMM01-03-E		
		5 m	JZSP-CMM00-05-E	JZSP-CMM01-05-E		
		10 m	JZSP-CMM00-10-E	JZSP-CMM01-10-E		
		15 m	JZSP-CMM00-15-E	JZSP-CMM01-15-E		
		20 m	JZSP-CMM00-20-E	JZSP-CMM01-20-E		
		30 m	JZSP-CMM00-30-E	JZSP-CMM01-30-E		
		40 m	JZSP-CMM00-40-E	JZSP-CMM01-40-E		
1.5 kW	3 m	JZSP-CMM20-03-E	—			
	5 m	JZSP-CMM20-05-E	—			
	10 m	JZSP-CMM20-10-E	—			
	15 m	JZSP-CMM20-15-E	—			
	20 m	JZSP-CMM20-20-E	—			
For Servomotor with Holding Brakes	100 W	3 m	JZSP-CSM11-03-E	JZSP-CSM31-03-E		(3)
		5 m	JZSP-CSM11-05-E	JZSP-CSM31-05-E		
		10 m	JZSP-CSM11-10-E	JZSP-CSM31-10-E		
		15 m	JZSP-CSM11-15-E	JZSP-CSM31-15-E		
		20 m	JZSP-CSM11-20-E	JZSP-CSM31-20-E		
		30 m	JZSP-CSM11-30-E	JZSP-CSM31-30-E		
		40 m	JZSP-CSM11-40-E	JZSP-CSM31-40-E		
	200 W, 400 W	3 m	JZSP-CSM12-03-E	JZSP-CSM32-03-E		
		5 m	JZSP-CSM12-05-E	JZSP-CSM32-05-E		
		10 m	JZSP-CSM12-10-E	JZSP-CSM32-10-E		
		15 m	JZSP-CSM12-15-E	JZSP-CSM32-15-E		
		20 m	JZSP-CSM12-20-E	JZSP-CSM32-20-E		
		30 m	JZSP-CSM12-30-E	JZSP-CSM32-30-E		
		40 m	JZSP-CSM12-40-E	JZSP-CSM32-40-E		
	750 W	3 m	JZSP-CMM10-03-E	JZSP-CMM11-03-E		
		5 m	JZSP-CMM10-05-E	JZSP-CMM11-05-E		
		10 m	JZSP-CMM10-10-E	JZSP-CMM11-10-E		
		15 m	JZSP-CMM10-15-E	JZSP-CMM11-15-E		
		20 m	JZSP-CMM10-20-E	JZSP-CMM11-20-E		
		30 m	JZSP-CMM10-30-E	JZSP-CMM11-30-E		
		40 m	JZSP-CMM10-40-E	JZSP-CMM11-40-E		
1.5 kW	3 m	JZSP-CMM30-03-E	—			
	5 m	JZSP-CMM30-05-E	—			
	10 m	JZSP-CMM30-10-E	—			
	15 m	JZSP-CMM30-15-E	—			
	20 m	JZSP-CMM30-20-E	—			

*: Use flexible cables for movable sections such as robot arms.

(Cont'd)

Selecting Cables

● Servomotor Main Circuit Cable (cont'd)

Name	Servomotor Rated Output	Length	Order No.		Specifications	Details
			Standard Type	Flexible Type*		
Servomotor-end Connector Kit	100 W		JZSP-CSM9-1-E		Crimped Type (A crimp tool is required.) 	(5)
	200 W, 400 W		JZSP-CSM9-2-E			(6)
	750 W, 1.5 kW (Without holding brake)		JZSP-CMM9-3-E		Crimped Type (A crimp tool is required.) 	(7)
	750 W, 1.5 kW (With holding brake)		JZSP-CSM9-5-E			
Cables	100 to 400 W	5 m	JZSP-CSM90-05-E	JZSP-CSM80-05-E		(8)
		10 m	JZSP-CSM90-10-E	JZSP-CSM80-10-E		
		15 m	JZSP-CSM90-15-E	JZSP-CSM80-15-E		
		20 m	JZSP-CSM90-20-E	JZSP-CSM80-20-E		
		30 m	JZSP-CSM90-30-E	JZSP-CSM80-30-E		
		40 m	JZSP-CSM90-40-E	JZSP-CSM80-40-E		
	750 W, 1.5 kW	5 m	JZSP-CSM91-05-E	JZSP-CSM81-05-E		(9)
		10 m	JZSP-CSM91-10-E	JZSP-CSM81-10-E		
		15 m	JZSP-CSM91-15-E	JZSP-CSM81-15-E		
		20 m	JZSP-CSM91-20-E	JZSP-CSM81-20-E		
		30 m	JZSP-CSM91-30-E	JZSP-CSM81-30-E		
		40 m	JZSP-CSM91-40-E	JZSP-CSM81-40-E		
		50 m	JZSP-CSM91-50-E	JZSP-CSM81-50-E		

*: Use flexible cables for movable sections such as robot arms.

(1) Wiring Specifications for Servomotors without Holding Brakes: 100 to 400 W

SERVOPACK-end Leads		Servomotor-end Connector	
Wire Color	Signal	Signal	Pin No.
Green/yellow	FG	FG	1
Blue	Phase W	Phase W	2
White	Phase V	Phase V	3
Red	Phase U	Phase U	4
		-	5
		-	6

(2) Wiring Specifications for Servomotors without Holding Brakes: 750 W, 1.5 kW

SERVOPACK-end Leads		Servomotor-end Connector	
Wire Color	Signal	Signal	Pin No.
Red	Phase U	Phase U	1
White	Phase V	Phase V	2
Blue	Phase W	Phase W	3
Green/yellow	FG	FG	4

(3) Wiring Specifications for Servomotor with Holding Brakes: 100 to 400 W

SERVOPACK-end Leads		Servomotor-end Connector	
Wire Color	Signal	Signal	Pin No.
Green/yellow	FG	FG	1
Blue	Phase W	Phase W	2
White	Phase V	Phase V	3
Red	Phase U	Phase U	4
Black	Brake	Brake	5
Black	Brake	Brake	6

Note: No polarity for connection to a holding brake.

(4) Wiring Specifications for Servomotor with Holding Brakes: 750 W, 1.5 kW

SERVOPACK-end Leads		Servomotor-end Connector	
Wire Color	Signal	Signal	Pin No.
Red	Phase U	Phase U	1
White	Phase V	Phase V	2
Blue	Phase W	Phase W	3
Green/yellow	FG	FG	4
Black	Brake	Brake	5
Black	Brake	Brake	6

Note: No polarity for connection to a holding brake.

Selecting Cables

(5) Servomotor-end Connector Kit Specifications: For 100 W Servomotors

Items	Specifications	External Dimensions mm
Order No.	JZSP-CSM9-1-E (Cables are not included.)	
Applicable Servomotors	SGMPS-01A	
Manufacturer	J.S.T. Mfg. Co., Ltd.	
Receptacle	J17-06FMH-7KL-1M-CF	
Electrical Contact	SJ1F-01GF-P0.8	
Applicable Wire Size	AWG20 to 24	
Outer Diameter of Insulating Sheath	1.11 dia. to 1.53 dia. mm	
Mounting Screw	M2 Pan-head screw	
Applicable Cable Outer Diameter	7±0.3 dia. mm	

Note: A crimp tool (Model no.: YRS-8841) is required. Contact the respective manufacturer for more information.

(6) Servomotor-end Connector Kit Specifications: For 200, 400 W Servomotors

Items	Specifications	External Dimensions mm
Order No.	JZSP-CSM9-2-E (Cables are not included.)	
Applicable Servomotors	SGMPS-02A, -04A	
Manufacturer	J.S.T. Mfg. Co., Ltd.	
Receptacle	J27-06FMH-7KL-1M-CF	
Electrical Contact	SJ2F-01GF-P1.0	
Applicable Wire Size	AWG20 to 24	
Outer Diameter of Insulating Sheath	1.11 dia. to 1.53 dia. mm	
Mounting Screw	M2 Pan-head screw	
Applicable Cable Outer Diameter	7±0.3 dia. mm	

Note: A crimp tool (Model no.: YRS-8861) is required. Contact the respective manufacturer for more information.

(7) Servomotor-end Connector Kit Specifications: For 750 W, 1.5 kW Servomotors

Items	Specifications		
	For Servomotors without Holding Brakes	For Servomotors with Holding Brakes	
		For power line	For brake line
Order No.	JZSP-CMM9-3-E	JZSP-CSM9-5-E	
Applicable Servomotors	SGMPS-08A, -15A		
Manufacturer	Tyco Electronics Japan G.K.		
Cap	350780-1	350781-1	
Socket	350550-6	350550-6	350689-3
Applicable Wire Size	AWG20 to 14	AWG20 to 14	AWG24 to 18
External Dimensions mm			

Note: The following crimp tools are required.

For use with servomotors without holding brakes or servomotors with holding brakes and power lines: Model no. 90296-2

For use with servomotors with holding brakes and brake lines: Model no. 90300-2.

Contact the respective manufacturer for more information.

Selecting Cables

(8) Cable Specifications: For 100 to 400 W Servomotors

Items	Standard Type	Flexible Type
Order No.*	JZSP-CSM90-□□-E (50 m max.)	JZSP-CSM80-□□-E(50 m max.)
Specifications	UL2517 (Rating temperature: 105°C) AWG20×6C For power line: AWG20 (0.52 mm ²) Outer diameter of insulating sheath: 1.53 dia. mm For holding brake line: AWG20 (0.52 mm ²) Outer diameter of insulating sheath: 1.53 dia. mm	UL2517 (Rating temperature: 105°C) AWG22×6C For power line: AWG22 (0.33 mm ²) Outer diameter of insulating sheath: 1.37 dia. mm For holding brake line: AWG22 (0.33 mm ²) Outer diameter of insulating sheath: 1.37 dia. mm
Finished Dimensions	7±0.3 dia. mm	
Internal Configuration and Lead Color		
Yaskawa Standard Specifications (Standard Length)	Cable length: 5 m, 10 m, 15 m, 20 m, 30 m, 40 m, 50 m	

*: Specify the cable length in □□ of order no.
 Example: JZSP-CSM90-05-E (5 m)

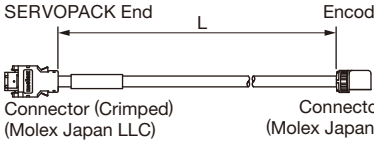
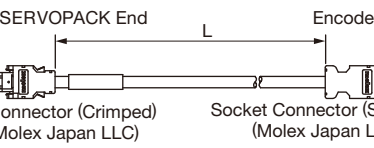
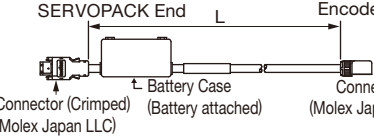
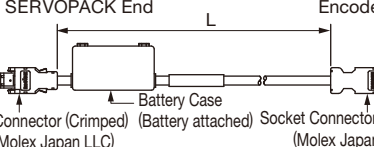




(9) Cable Specifications: For 750 W, 1.5 kW Servomotors

Items	Standard Type	Flexible Type
Order No.*	JZSP-CSM91-□□-E(50 m max.)	JZSP-CSM81-□□-E(50 m max.)
Specifications	UL2517 (Rating temperature: 105°C) AWG16×4C, AWG20×2C For power line: AWG16 (1.31 mm ²) Outer diameter of insulating sheath: 2.15 dia. mm For holding brake line: AWG20 (0.52 mm ²) Outer diameter of insulating sheath: 1.6 dia. mm	UL2517 (Rating temperature: 105°C) AWG16×4C, AWG22×2C For power line: AWG16 (1.31 mm ²) Outer diameter of insulating sheath: 2.35 dia. mm For holding brake line: AWG22 (0.33 mm ²) Outer diameter of insulating sheath: 1.37 dia. mm
Finished Dimensions	8±0.3 dia. mm	
Internal Configuration and Lead Color		
Yaskawa Standard Specifications (Standard Length)	Cable length: 5 m, 10 m, 15 m, 20 m, 30 m, 40 m, 50 m	

*: Specify the cable length in □□ of order no.
 Example: JZSP-CSM91-05-E (5 m)

Selecting Cables

● Encoder Cables (Length: 20 m or less)

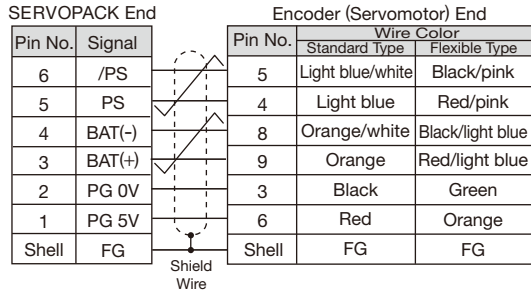
Name	Servo motor Capacity	Length	Order No.		Specifications	Details
			Standard Type	Flexible Type*1		
Cable with Connectors (For Incremental Encoder)	100 to 400 W	3 m	JZSP-CSP01-03-E	JZSP-CSP21-03-E	 <p>SERVOPACK End Encoder End</p> <p>Connector (Crimped) (Molex Japan LLC) Connector (Molex Japan LLC)</p>	(1)
		5 m	JZSP-CSP01-05-E	JZSP-CSP21-05-E		
		10 m	JZSP-CSP01-10-E	JZSP-CSP21-10-E		
		15 m	JZSP-CSP01-15-E	JZSP-CSP21-15-E		
		20 m	JZSP-CSP01-20-E	JZSP-CSP21-20-E		
	750 W, 1.5 kW	3 m	JZSP-CMP00-03-E	JZSP-CMP10-03-E	 <p>SERVOPACK End Encoder End</p> <p>Connector (Crimped) (Molex Japan LLC) Socket Connector (Soldered) (Molex Japan LLC)</p>	(2)
		5 m	JZSP-CMP00-05-E	JZSP-CMP10-05-E		
		10 m	JZSP-CMP00-10-E	JZSP-CMP10-10-E		
		15 m	JZSP-CMP00-15-E	JZSP-CMP10-15-E		
		20 m	JZSP-CMP00-20-E	JZSP-CMP10-20-E		
Cable with Connectors*2 (For Absolute Encoder, with a Battery Case)	100 to 400 W	3 m	JZSP-CSP05-03-E	JZSP-CSP25-03-E	 <p>SERVOPACK End Encoder End</p> <p>Connector (Crimped) (Molex Japan LLC) Battery Case (Battery attached) Connector (Molex Japan LLC)</p>	(3)
		5 m	JZSP-CSP05-05-E	JZSP-CSP25-05-E		
		10 m	JZSP-CSP05-10-E	JZSP-CSP25-10-E		
		15 m	JZSP-CSP05-15-E	JZSP-CSP25-15-E		
		20 m	JZSP-CSP05-20-E	JZSP-CSP25-20-E		
	750 W, 1.5 kW	3 m	JZSP-CSP19-03-E	JZSP-CSP29-03-E	 <p>SERVOPACK End Encoder End</p> <p>Connector (Crimped) (Molex Japan LLC) Battery Case (Battery attached) Socket Connector (Soldered) (Molex Japan LLC)</p>	(4)
		5 m	JZSP-CSP19-05-E	JZSP-CSP29-05-E		
		10 m	JZSP-CSP19-10-E	JZSP-CSP29-10-E		
		15 m	JZSP-CSP19-15-E	JZSP-CSP29-15-E		
		20 m	JZSP-CSP19-20-E	JZSP-CSP29-20-E		
SERVOPACK-end Connector Kit	100 W to 1.5 kW		JZSP-CMP9-1-E		Soldered 	(5)
Encoder-end Connector Kit	100 to 400 W		JZSP-CSP9-2-E		Crimped Type (A crimp tool is required.) 	
	750 W, 1.5 kW		JZSP-CMP9-2-E		Soldered 	
Cables		5 m	JZSP-CMP09-05-E	JZSP-CSP39-05-E	20 m Max. 	(6)
		10 m	JZSP-CMP09-10-E	JZSP-CSP39-10-E		
		15 m	JZSP-CMP09-15-E	JZSP-CSP39-15-E		
		20 m	JZSP-CMP09-20-E	JZSP-CSP39-20-E		

*1: Use flexible cables for movable sections such as robot arms.

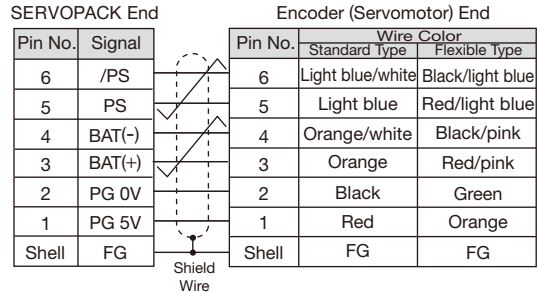
*2: When the battery is connected to the host controller, no battery case is required. If so, use a cable for incremental encoders.

Selecting Cables

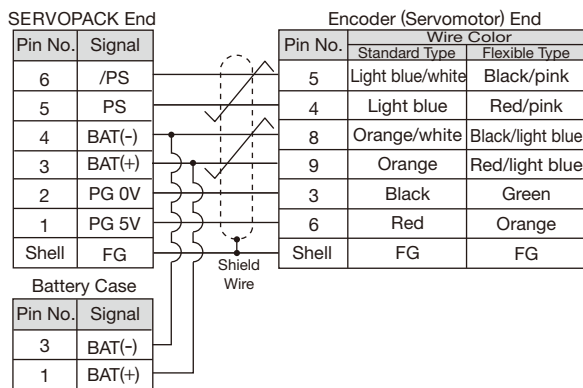
(1) Wiring Specifications for Cable with Connectors: 100 to 400 W (For incremental encoder)



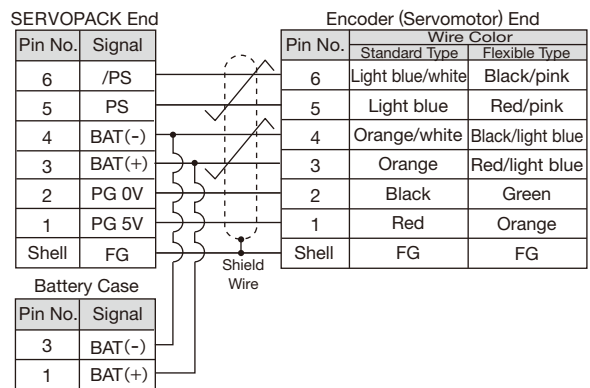
(2) Wiring Specifications for Cable with Connectors: 750 W, 1.5 kW (For incremental encoder)



(3) Wiring Specifications for Cable with Connectors: 100 to 400 W (For absolute encoder, with a battery case)



(4) Wiring Specifications for Cable with Connectors: 750 W, 1.5 kW (For absolute encoder, with a battery case)



(5) SERVOPACK-end/Encoder-end Connector Kit Specifications

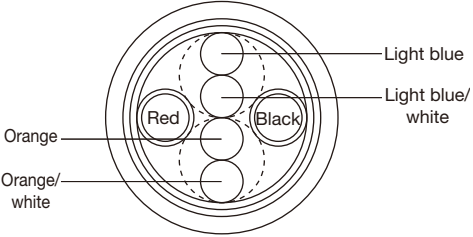
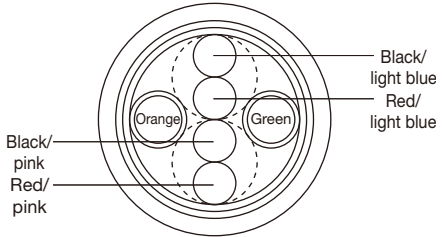
Items	SERVOPACK-end Connector Kit	Encoder-end Connector Kit	
Order No.	JZSP-CMP9-1-E (Cables are not included.)	JZSP-CSP9-2-E (Cables are not included.)	JZSP-CMP9-2-E (Cables are not included.)
Manufacturer	Molex Japan LLC	Molex Japan LLC	Molex Japan LLC
Specifications	55100-0670 (soldered) Product Specification: PS-54280	54346-0070 (crimped)* Mounting screw: M2 pan-head screw (x2) Outer diameter of applicable cable: 6.3 dia. to 7.7 dia. mm Applicable wire size: AWG22 to 26 Outer diameter of insulating sheath: 1.05 dia. to 1.4 dia. mm Application Specification: AS-54992 Crimping Specification: CS-56161	54280-0609 (soldered) Product Specification: PS-54280
External Dimensions mm			

*: A crimp tool is required.

The following crimp tool is applicable for the cables provided by Yaskawa. When using other wire sizes, contact the respective manufacturer for crimp tools.
Applicable crimp tool for Yaskawa's wire size: Hand Tool Model No. 57175-5000

Selecting Cables

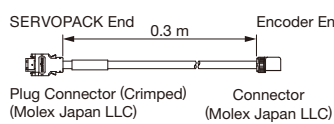
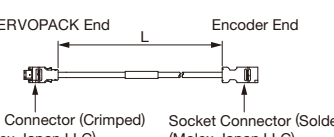
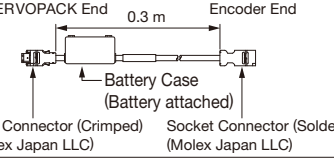

(6) Cable Specifications

Items	Standard Type	Flexible Type
Order No.*	JZSP-CMP09-□□-E	JZSP-CSP39-□□-E
Cable Length	20 m max.	
Specifications	UL20276 (Rating temperature: 80°C) AWG22×2C+AWG24×2P AWG22 (0.33 mm ²) Outer diameter of insulating sheath: 1.15 dia. mm AWG24 (0.20 mm ²) Outer diameter of insulating sheath: 1.09 dia. mm	UL20276 (Rating temperature: 80°C) AWG22×2C+AWG24×2P AWG22 (0.33 mm ²) Outer diameter of insulating sheath: 1.35 dia. mm AWG24 (0.20 mm ²) Outer diameter of insulating sheath: 1.21 dia. mm
Finished Dimensions	6.5 dia. mm	6.8 dia. mm
Internal Configuration and Lead Color		
Yaskawa Standards Specifications (Standard Length)	Cable length: 5 m, 10 m, 15 m, 20 m	

*: Specify the cable length in □□ of order no.
 Example: JZSP-CMP09-05-E (5 m)

Selecting Cables


● Relay Encoder Cables (For extending from 30 to 50 m)

Name	Length	Order No. Standard Type	Specifications	Details
① Encoder-end Cables (For incremental and absolute encoder)	0.3 m	JZSP-CSP11-E		(1)
② Cable with Connectors (For incremental and absolute encoder)	30 m	JZSP-UCMP00-30-E		(2)
	40 m	JZSP-UCMP00-40-E		
	50 m	JZSP-UCMP00-50-E		
③ Cable with a Battery Case (Required when an absolute encoder is used*)	0.3 m	JZSP-CSP12-E		(3)
④ Cables	30 m	JZSP-CMP19-30-E		(4)
	40 m	JZSP-CMP19-40-E		
	50 m	JZSP-CMP19-50-E		

*: Not required when connecting a battery to the host controller.


(1) Wiring Specifications for Encoder-end Cable

SERVOPACK End		Encoder (Servomotor) End	
Pin No.	Signal	Pin No.	Wire Color
6	/PS	5	Light blue/white
5	PS	4	Light blue
4	BAT (-)	8	Orange/white
3	BAT (+)	9	Orange
2	PG 0V	3	Black
1	PG 5V	6	Red
Shell	FG	Shell	FG



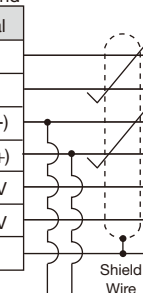
(2) Wiring Specifications for Cable with Connectors

SERVOPACK End		Encoder (Servomotor) End	
Pin No.	Signal	Pin No.	Wire Color
6	/PS	6	Light blue/white
5	PS	5	Light blue
4	BAT (-)	4	Orange/white
3	BAT (+)	3	Orange
2	PG 0V	2	Black
1	PG 5V	1	Red
Shell	FG	Shell	FG



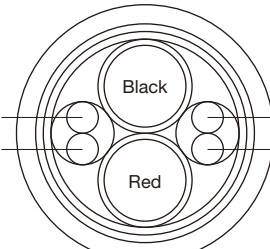
(3) Wiring Specifications for Cable with a Battery Case

SERVOPACK End		Encoder (Servomotor) End	
Pin No.	Signal	Pin No.	Wire Color
6	/PS	6	Light blue/white
5	PS	5	Light blue
4	BAT (-)	4	Orange/white
3	BAT (+)	3	Orange
2	PG 0V	2	Black
1	PG 5V	1	Red
Shell	FG	Shell	FG



Battery Case	
Pin No.	Signal
3	BAT (-)
1	BAT (+)

(4) Cable Specifications

Item	Standard Type
Order No.*	JZSP-CMP19-□□-E
Cable Length	50 m max.
Specifications	UL20276 (Rating temperature: 80°C) AWG16×2C+AWG26×2P AWG16 (1.31 mm ²) Outer diameter of insulating sheath: 2.0 dia. mm AWG26 (0.13 mm ²) Outer diameter of insulating sheath: 0.91 dia. mm
Finished Dimensions	6.8 dia. mm
Internal Configuration and Lead Colors	
Yaskawa Standard Specifications (Standard Length)	Cable length: 30 m, 40 m, 50 m

*: Specify the cable length in □□ of order no.
Example: JZSP-CMP19-30-E (30 m)

With Low-backlash Gears

Ratings and Specifications

Time Rating: Continuous
Insulation Resistance: 500 VDC, 10 MΩ min.
Ambient Temperature: 0 to 40°C
Excitation: Permanent magnet
Mounting: Flange-mounted
Gear Mechanism: Planetary gear mechanism
Thermal Class: B

Withstand Voltage: 1500 VAC for one minute
Enclosure: Totally enclosed, self-cooled, IP55
 (except for shaft opening)
Ambient Humidity: 20% to 80% (no condensation)
Drive Method: Direct drive
Rotation Direction: Counterclockwise (CCW) with forward run
 reference when viewed from the load side

Servomotor Model SGMPS-	Servomotor			Gear					
	Rated Output W	Rated Speed min ⁻¹	Rated Torque N·m	Gear Ratio	Lost Motion arc-min	Rated Torque / Efficiency*1 N·m / %	Instantaneous Peak Torque N·m	Rated Speed min ⁻¹	Max. Speed*2 min ⁻¹
01A□AH1□	100	3000	0.318	1/5	3 max.	1.27/80	4.34	600	800
01A□AHB□				1/11		2.80/80	9.55	273	363
01A□AHC□				1/21		5.34/80	18.2	143	190
01A□AH7□				1/33		8.40/80	28.7	91	121
02A□AH1□	200	3000	0.637	1/5	3 max.	2.55/80	8.40	600	800
02A□AHB□				1/11		5.96/85	19.3	273	363
02A□AHC□				1/21		11.4/85	37.3	143	190
02A□AH7□				1/33		17.9/85	58.6	91	121
04A□AH1□	400	3000	1.27	1/5	3 max.	5.40/85	17.6	600	800
04A□AHB□				1/11		11.9/85	39.1	273	363
04A□AHC□				1/21		22.7/85	72.2	143	190
04A□AH7□				1/33		33.5/80	115	91	121
08A□AH1□	750	3000	2.39	1/5	3 max.	10.2/85	33.3	600	800
08A□AHB□				1/11		22.3/85	71.0	273	363
08A□AHC□				1/21		42.7/85	140	143	190
08A□AH7□				1/33		67.0/85	206	91	121
15A□AH1□	1500	3000	4.77	1/5	3 max.	20.3/85	65.9	600	800
15A□AHB□				1/11		44.6/85	148	273	363
15A□AHC□				1/21		80.1/80	270	143	190
15A□AH7□				1/33		126/80	353*3	91	121

*1: Gear output torque is expressed using the following equation.

$$(\text{Gear output torque}) = (\text{Servomotor output torque}) \times \frac{1}{(\text{gear ratio})} \times (\text{efficiency})$$

Gear efficiency depends on operating conditions such as rated output, motor speed, and temperature etc. The values in the table are representative values with rated output, rated speed, and an ambient temperature of 25°C, and are not guaranteed values.

*2: Max. speed is up to 4000 min⁻¹ at the shaft.

*3: The instantaneous peak torque values indicated with *3 are limited by the gear, so use the following servomotor instantaneous peak torque. In this case, set torque limit parameters Pn402 and 403 for the SERVOPACK at 250%

Notes: 1 The gear mounted to our servomotor has not been broken in. Break in the servomotor if necessary. First, run the motor at low speed with no load. If no problems arise, gradually increase the speed and load.

2 The no-load torque for a servomotor with a gear is high immediately after the servomotor starts, and it then decreases and becomes stable a few minutes later. This is a common phenomenon caused by grease being circulated in the gear and not by a faulty gear.

IMPORTANT

The SERVOPACK speed control range is 1:5000. When using servomotors at extremely low speeds (0.02 min⁻¹ at gear output shaft), when using servomotors with one pulse feed reference for extended periods and in some other situations, the gear bearing lubrication may be insufficient. That may cause deterioration of bearing or increase the load ratio.

Contact your Yaskawa representative if you are using your servomotor under these conditions.

With Low-backlash Gears Ratings and Specifications

● **Moment of Inertia and Allowable Radial and Thrust Loads**

Servomotor Model SGMPS-	Moment of Inertia ×10 ⁻⁴ kg·m ²		Servomotors with Low-backlash Gears			Reference Diagram
	Motor + Gear	Gear	Allowable Radial Load (Fr) N	Allowable Thrust Load (Fs) N	LF mm	
01A□AH1□	0.152	0.093	167	147	55	
01A□AHB□	0.107	0.048	216			
01A□AHC□	0.102	0.043	392	235	69	
01A□AH7□	0.092	0.033	431			
02A□AH1□	0.623	0.360	245	235	69	
02A□AHB□	0.351	0.088	323			
02A□AHC□	0.373	0.110	549	294	79	
02A□AH7□	0.328	0.065	608			
04A□AH1□	0.769	0.360	245	235	69	
04A□AHB□	0.604	0.195	441	294	79	
04A□AHC□	0.604	0.195	568	314	100	
04A□AH7□	0.582	0.173	657			
08A□AH1□	2.87	0.765	343	294	79	
08A□AHB□	2.62	0.523	451	314	100	
08A□AHC□	2.76	0.663	813	490	137	
08A□AH7□	2.56	0.455	921			
15A□AH1□	5.56	1.540	353	314	137	
15A□AHB□	6.11	2.090	647	490		
15A□AHC□	6.00	1.980	1274	882	151	
15A□AH7□	5.14	1.116				

IMPORTANT The gear generates the loss at gear mechanism and oil seal. The loss varies with torque and motor speed conditions. The temperature rise depends on heat dissipation conditions. Always check the actual gear and motor temperature. If the temperature is high, take the measures shown below.

- Decrease the load ratio.
- Change the heat dissipation conditions.
- Cool the motor with a cooling fan etc.

Rated Output W	Heat Sink Size			
	1/5	1/11	1/21	1/33
100	A			
200	B			
400				
750				
1500	C			

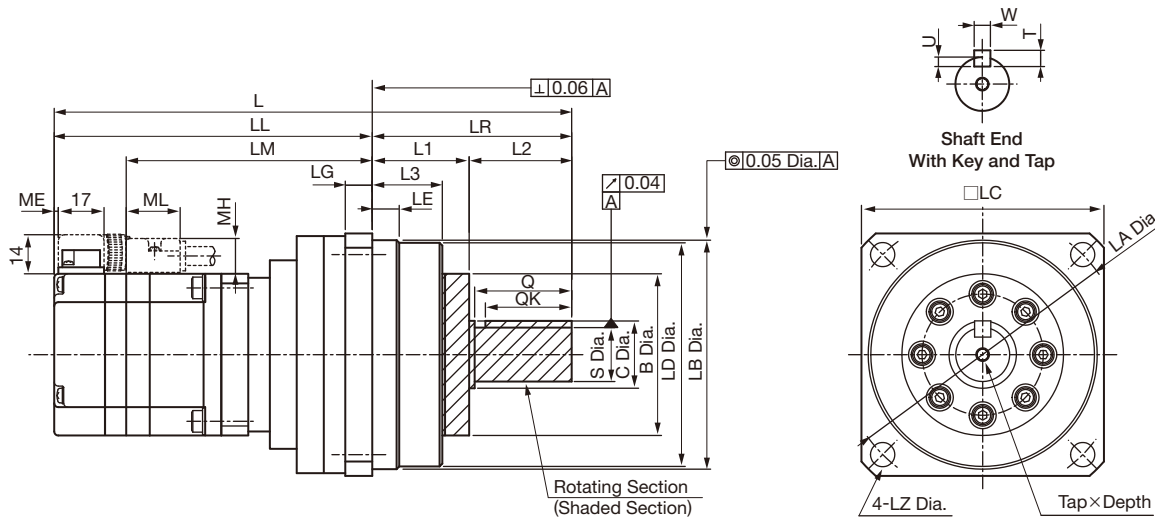
A : 250 mm×250 mm×6 mm, aluminum
 B : 300 mm×300 mm×12 mm, aluminum
 C : 350 mm×350 mm×12 mm, aluminum

SGMPS

With Low-backlash Gears

External Dimensions Units: mm

(1) 100 to 400 W

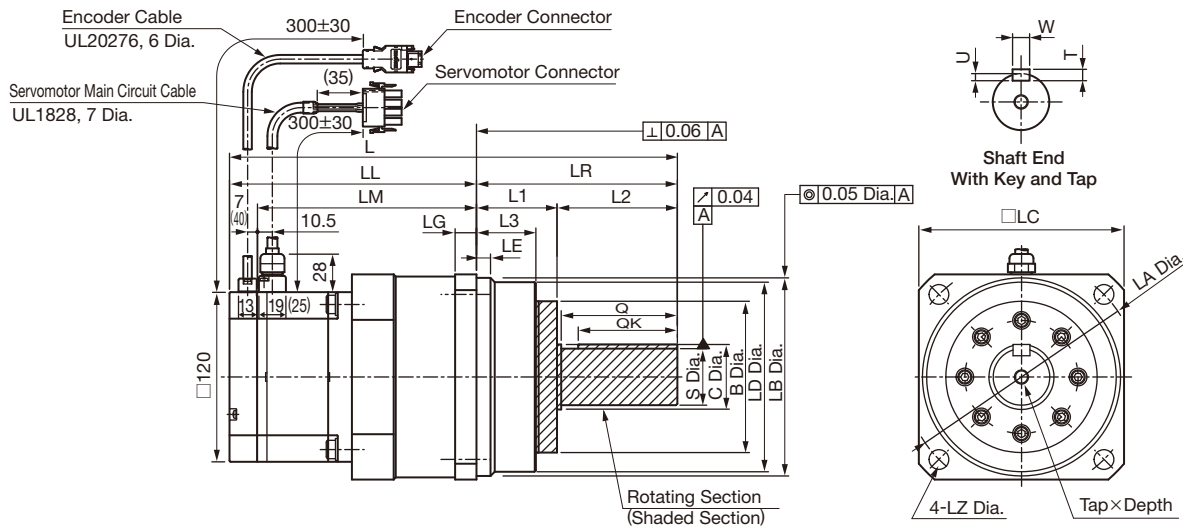


Model SGMPS-	Gear Ratio	L	LL	LM	LR	LE	LG	B	C	LD	LB	LC	LA	LZ	L1	L2	L3	Q	S	Tap x Depth	Key Dimensions				ME	MH	ML	Approx. Mass kg		
																					QK	U	W	T						
01A□AH1*1-E (01A□AH1*2-C-E)	1/5	168	108	82	60	8	9	40	20	64.5	65 ⁰ _{-0.030}	70	80	6.6	30	30	22	28	16 ⁰ _{-0.018}	M4x8L	25	3	5	5	1	12	20	1.3 (1.5)		
01A□AHB*1-E (01A□AHB*2-C-E)	1/11	191	117	91	74	7.5	10	59	26	84	85 ⁰ _{-0.035}	90	105	9	36	38	26	36	20 ⁰ _{-0.021}	M5x10L	32	3.5	6	6	1	12	20	2.8 (3.0)		
01A□AHC*1-E (01A□AHC*2-C-E)	1/21	197	123	99	74	7.5	10	59	26	84	85 ⁰ _{-0.035}	90	105	9	36	38	26	36	20 ⁰ _{-0.021}	M5x10L	32	3.5	6	6	1.5	13	21	3.2 (3.7)		
01A□AH7*1-E (01A□AH7*2-C-E)	1/33	215	131	107	84	12	12	59	32	96	100 ⁰ _{-0.035}	105	120	9	40	44	29	42	25 ⁰ _{-0.021}	M6x12L	36	4	8	7	1.5	13	21	3.5 (4.0)		
02A□AH1*1-E (02A□AH1*2-C-E)	1/5	207	133	109	74	7.5	10	59	26	84	85 ⁰ _{-0.035}	90	105	9	36	38	26	36	20 ⁰ _{-0.021}	M5x10L	32	3.5	6	6	1.5	13	21	3.8 (4.3)		
02A□AHB*1-E (02A□AHB*2-C-E)	1/11	225	141	117	84	12	12	59	32	96	100 ⁰ _{-0.035}	105	120	9	40	44	29	42	25 ⁰ _{-0.021}	M6x12L	36	4	8	7	1.5	13	21	3.2 (3.7)		
02A□AHC*1-E (02A□AHC*2-C-E)	1/21	253	148	124	105	14	13	59	40	112	115 ⁰ _{-0.035}	120	135	11	45	60	33	58	32 ⁰ _{-0.025}	M8x16L	50	5	10	8	1.5	13	21	3.5 (4.0)		
02A□AH7*1-E (02A□AH7*2-C-E)	1/33	254	149	125	105	12.5	13	84	40	114	115 ⁰ _{-0.035}	120	135	11	45	60	33	58	32 ⁰ _{-0.025}	M8x16L	50	5	10	8	1.5	13	21	4.1 (4.6)		
04A□AH1*1-E (04A□AH1*2-C-E)	1/5	225	141	117	84	12	12	59	32	96	100 ⁰ _{-0.035}	105	120	9	40	44	29	42	25 ⁰ _{-0.021}	M6x12L	36	4	8	7	1.5	13	21	4.5 (5.0)		
04A□AHB*1-E (04A□AHB*2-C-E)	1/11	253	148	124	105	14	13	59	40	112	115 ⁰ _{-0.035}	120	135	11	45	60	33	58	32 ⁰ _{-0.025}	M8x16L	50	5	10	8	1.5	13	21	7.0 (7.5)		
04A□AHC*1-E (04A□AHC*2-C-E)	1/21	254	149	125	105	12.5	13	84	40	114	115 ⁰ _{-0.035}	120	135	11	45	60	33	58	32 ⁰ _{-0.025}	M8x16L	50	5	10	8	1.5	13	21	7.0 (7.5)		
04A□AH7*1-E (04A□AH7*2-C-E)	1/33																													

: The asterisk () describes the values of the 8th digit of the model designation, "shaft end code 6 (straight with key and tap)." If a key or tap is not necessary, order a servomotor with "shaft end code 2 (without key and tap)."
 Note: The models and values in parentheses are for servomotors with holding brakes.

With Low-backlash Gears External Dimensions Units: mm

(2) 750 W, 1.5 kW



Model SGMPS-	Gear Ratio	L	LL	LM	LR	LE	LG	B	C	LD	LB	LC	LA	LZ	L1	L2	L3	Q	S	Tap x Depth	Key Dimensions				Approx. Mass kg	
																					QK	U	W	T		
08A□AH1*1-E (08A□AH1□C-E)	1/5	234.5 (268)	150.5 (184)	131	84	12	12	59	32	96	100 ⁰ _{-0.035}	105	120	9	40	44	29	42	25 ⁰ _{-0.021}	M6×12L	36	4	8	7	6.9 (8.4)	
08A□AHB*1-E (08A□AHB□C-E)	1/11	263.5 (297)	158.5 (192)	139	105	14	13	59	40	112	115 ⁰ _{-0.035}	120	135	11	45	60	33	58	32 ⁰ _{-0.025}	M8×16L	50	5	10	8	8.0 (9.5)	
08A□AHC*1-E (08A□AHC□C-E)	1/21	316.5 (350)	174.5 (208)	155	142	10	15	84	44	134	140 ⁰ _{-0.040}	145	165	14	57	85	40	82	40 ⁰ _{-0.025}	M10×20L	70	5	12	8	11.0 (12.5)	
08A□AH7*1-E (08A□AH7□C-E)	1/33	291.5 (325)	186.5 (220)	167	105	12.5	13	84	40	114	115 ⁰ _{-0.035}	120	135	11	45	60	33	58	32 ⁰ _{-0.025}	M8×16L	50	5	10	8	11.5 (13.1)	
15A□AH1*1-E (15A□AH1□C-E)	1/5	344.5 (378)	202.5 (236)	183	142	10	15		44	134	140 ⁰ _{-0.040}	145	165		57	85	40		40 ⁰ _{-0.025}	M10×20L			70		12	
15A□AHC*1-E (15A□AHC□C-E)	1/21	364.5 (398)	208.5 (242)	189	156	16	16	135	51	163	165 ⁰ _{-0.040}	170	190	14	70	86	51	82	45 ⁰ _{-0.025}					5.5	14	9
15A□AH7*1-E (15A□AH7□C-E)	1/33																									

: The asterisk () describes the values of the 8th digit of the model designation, "shaft end code 6 (straight with key and tap)." If a key or tap is not necessary, order a servomotor with "shaft end code 2 (without key and tap)."

Note: The models and values in parentheses are for servomotors with holding brakes.

SGMPS

Flange-type With Low-backlash Gears

Ratings and Specifications

Time Rating: Continuous
Insulation Resistance: 500 VDC, 10 MΩ min.
Ambient Temperature: 0 to 40°C
Excitation: Permanent magnet
Mounting: Flange-mounted
Gear Mechanism: Planetary gear mechanism
Thermal Class: B

Withstand Voltage: 1500 VAC for one minute
Enclosure: Totally enclosed, self-cooled, IP55
 (except for shaft opening)
Ambient Humidity: 20% to 80% (no condensation)
Drive Method: Direct drive
Rotation Direction: Counterclockwise (CCW) with forward run
 reference when viewed from the load side

Servomotor Model SGMPS-	Servomotor			Gear					
	Rated Output W	Rated Speed min ⁻¹	Rated Torque N·m	Gear Ratio	Lost Motion arc-min	Rated Torque / Efficiency*1 N·m/%	Instantaneous Peak Torque N·m	Rated Speed min ⁻¹	Max. Speed*2 min ⁻¹
01A□AH10	100	3000	0.318	1/5	3 max.	1.27/80	4.32	600	800
01A□AHB0				1/11		2.80/80	9.5	273	363
01A□AHC0				1/21		5.34/80	18.1	143	190
01A□AH70				1/33		8.40/80	27.0	91	121
02A□AH10	200	3000	0.637	1/5	3 max.	2.55/80	8.6	600	800
02A□AHB0				1/11		5.62/80	18.9	273	363
02A□AHC0				1/21		10.7/80	36.1	143	190
02A□AH70				1/33		16.8/80	48.0*3	91	121
04A□AH10	400	3000	1.27	1/5	3 max.	5.08/80	17.2	600	800
04A□AHB0				1/11		11.2/80	35.0	273	363
04A□AHC0				1/21		21.3/80	72.2	143	190
04A□AH70				1/33		33.5/80	93.0*3	91	121
08A□AH10	750	3000	2.39	1/5	3 max.	9.56/80	32.0	600	800
08A□AHB0				1/11		21.0/80	56.0*3	273	363
08A□AHC0				1/21		40.2/80	134	143	190
08A□AH70				1/33		63.1/80	156*3	91	121
15A□AH10	1500	3000	4.77	1/5	3 max.	19.1/80	64.4	600	800
15A□AHB0				1/11		42.0/80	142	272	363
15A□AHC0				1/21		80.1/80	270	143	190
15A□AH70				1/33		126/80	353*3	91	121

*1: Gear output torque is expressed using the following equation.

$$(\text{Gear output torque}) = (\text{Servomotor output torque}) \times \frac{1}{(\text{gear ratio})} \times (\text{efficiency})$$

Gear efficiency depends on operating conditions such as rated output, motor speed, and temperature etc. The values in the table are representative values with rated output, rated speed, and an ambient temperature of 25°C, and are not guaranteed values.

*2: Max. speed is up to 4000 min⁻¹ at the shaft.

*3: The instantaneous peak torque values indicated with *3 are limited by the gear, so use the following servomotor instantaneous peak torque. In this case, set torque limit parameters Pn402 and 403 for the SERVOPACK at 250%

Notes: 1 The gear mounted to our servomotor has not been broken in. Break in the servomotor if necessary. First, run the motor at low speed with no load. If no problems arise, gradually increase the speed and load.

2 The no-load torque for a servomotor with a gear is high immediately after the servomotor starts, and it then decreases and becomes stable a few minutes later. This is a common phenomenon caused by grease being circulated in the gear and not by a faulty gear.

IMPORTANT

The SERVOPACK speed control range is 1:5000. When using servomotors at extremely low speeds (0.02 min⁻¹ at gear output shaft), when using servomotors with one pulse feed reference for extended periods and in some other situations, the gear bearing lubrication may be insufficient. That may cause deterioration of bearing or increase the load ratio.

Contact your Yaskawa representative if you are using your servomotor under these conditions.

Flange-type With Low-backlash Gears | Ratings and Specifications

● **Moment of Inertia and Allowable Radial and Thrust Loads**

Servomotor Model SGMPS-	Moment of Inertia × 10 ⁻⁴ kg · m ²		Servomotors with Low-backlash Gears			Reference Diagram
	Motor + Gear	Gear	Allowable Radial Load (Fr) N	Allowable Thrust Load (Fs) N	LF mm	
01A□AH10	0.144	0.085	167	147	55	
01A□AHB0	0.100	0.041	216			
01A□AHC0	0.102	0.043	392	235	69	
01A□AH70	0.085	0.026	431			
02A□AH10	0.543	0.280	245	235	69	
02A□AHB0	0.364	0.101	323			
02A□AHC0	0.351	0.088	549	294	79	
02A□AH70	0.317	0.054	608			
04A□AH10	0.689	0.280	245	235	69	
04A□AHB0	0.636	0.227	441	294	79	
04A□AHC0	0.628	0.219	568	314	100	
04A□AH70	0.545	0.136	657			
08A□AH10	2.72	0.616	343	294	79	
08A□AHB0	2.65	0.552	451	314	100	
08A□AHC0	2.65	0.552	813	490	137	
08A□AH70	2.43	0.327	921			
15A□AH10	5.59	1.57	353	314	137	
15A□AHB0	5.58	1.56	647	490		
15A□AHC0	5.9	1.88	1274	882	151	
15A□AH70	5.1	1.08				

SGMPS

IMPORTANT The gear generates the loss at gear mechanism and oil seal. The loss varies with torque and motor speed conditions. The temperature rise depends on heat dissipation conditions. Always check the actual gear and motor temperature. If the temperature is high, take the measures shown below.

- Decrease the load ratio.
- Change the heat dissipation conditions.
- Cool the motor with a cooling fan etc.

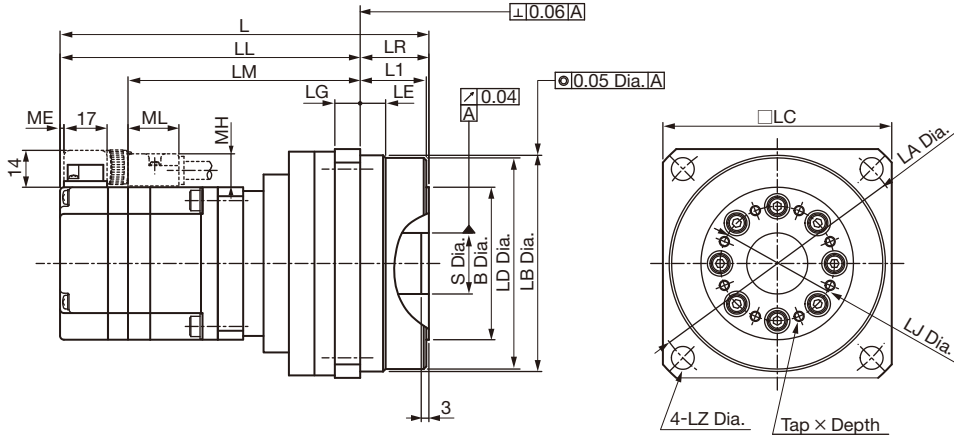
Rated Output W	Heat Sink Size			
	1/5	1/11	1/21	1/33
100	A			
200	B			
400				
750				
1500	C			

A : 250 mm×250 mm×6 mm, aluminum
 B : 300 mm×300 mm×12 mm, aluminum
 C : 350 mm×350 mm×12 mm, aluminum

Flange-type With Low-backlash Gears

External Dimensions Units: mm

(1) 100 to 400 W

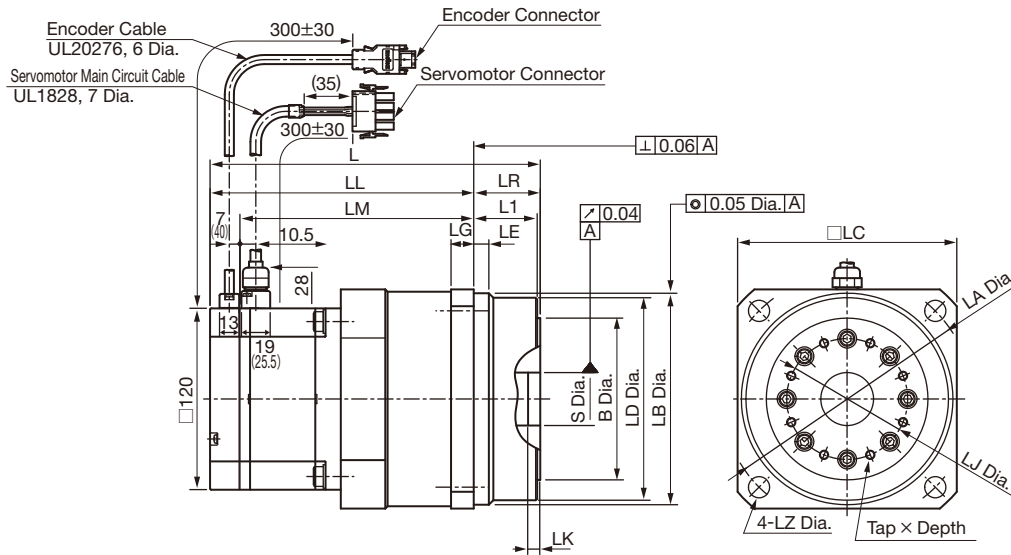


Model SGMPS-	Gear Ratio	L	LL	LM	LR	LE	LG	B	LD	LB	LC	LA	LZ	L1	S	Tap x Depth	LJ	ME	MH	ML	Approx. Mass kg
01A□AH101-E (01A□AH10C-E)	1/5	132	109	83	23	8	9	50	64.5	65 ⁰ _{-0.030}	70	80	6.6	22	19 ^{+0.021} ₀	M3 x 6L	35	1	12	20	1.3 (1.5)
01A□AHB01-E (01A□AHB0C-E)	1/11	(160)	(137)																		1.4 (1.6)
01A□AHC01-E (01A□AHC0C-E)	1/21	145	118	92	27	10	10	60	83	85 ⁰ _{-0.035}	90	105	9	26	24 ^{+0.021} ₀	M4 x 7L	45	1	12	20	2.4 (2.6)
01A□AH701-E (01A□AH70C-E)	1/33	(173)	(146)																		
02A□AH101-E (02A□AH10C-E)	1/5	150	123	99	27	10	10	60	83	85 ⁰ _{-0.035}	90	105	9	26	24 ^{+0.021} ₀	M4 x 7L	45	1.5	13	21	2.9 (3.4)
02A□AHB01-E (02A□AHB0C-E)	1/11	(181.5)	(154.5)																		3.0 (3.5)
02A□AHC01-E (02A□AHC0C-E)	1/21	162	131	107	31	12	12	70	96	100 ⁰ _{-0.035}	105	120	9	29	28 ^{+0.021} ₀	M5 x 8L	55	1.5	13	21	4.1 (4.6)
02A□AH701-E (02A□AH70C-E)	1/33	(193.5)	(162.5)																		
04A□AH101-E (04A□AH10C-E)	1/5	160	133	109	27	10	10	60	83	85 ⁰ _{-0.035}	90	105	9	26	24 ^{+0.021} ₀	M4 x 7L	45	1.5	13	21	3.2 (3.7)
04A□AHB01-E (04A□AHB0C-E)	1/11	172	141	117	31	12	12	70	96	100 ⁰ _{-0.035}	105	120	9	29	28 ^{+0.021} ₀	M5 x 8L	55	1.5	13	21	4.4 (4.9)
04A□AHC01-E (04A□AHC0C-E)	1/21	184	149	125	35	14	13	90	112	115 ⁰ _{-0.035}	120	135	11	33	32 ^{+0.025} ₀	M5 x 8L	70	1.5	13	21	5.8 (6.3)
04A□AH701-E (04A□AH70C-E)	1/33	(215.5)	(180.5)																		

Note: The models and values in parentheses are for servomotors with holding brakes.

Flange-type With Low-backlash Gears External Dimensions Units: mm

(2) 750 W, 1.5 kW



Model SGMPS-	Gear Ratio	L	LL	LM	LR	LE	LG	B	LD	LB	LC	LA	LZ	L1	LJ	LK	S	Tap x Depth	Approx. Mass kg
08A□AH101-E (08A□AH10C-E)	1/5	181.5 (215)	150.5 (184)	131	31	12	12	70	96	100 ⁰ _{-0.035}	105	120	9	29	55	3	28 ^{+0.021} ₀	M5x8L	6.9 (8.4)
08A□AHB01-E (08A□AHB0C-E)	1/11	193.5 (227)	158.5 (192)	139	35	14	13	90	112	115 ⁰ _{-0.035}	120	135	11	33	70	3	32 ^{+0.025} ₀	M5x8L	8.6 (10.1)
08A□AHC01-E (08A□AHC0C-E)	1/21	218.5 (252)	174.5 (208)	155	44	10	15	107	134	140 ⁰ _{-0.040}	145	165	14	42	80	4	35 ^{+0.025} ₀	M6x10L	12.2 (13.7)
08A□AH701-E (08A□AH70C-E)	1/33																		
15A□AH101-E (15A□AH10C-E)	1/5	221.5 (255)	186.5 (220)	167	35	12.5	13	90	112	115 ⁰ _{-0.035}	120	135	11	33	70	3	32 ^{+0.025} ₀	M5x8L	11.6 (13.1)
15A□AHB01-E (15A□AHB0C-E)	1/11	246.5 (280)	202.5 (236)	183	44	10	15	107	134	140 ⁰ _{-0.040}	145	165	14	42	80	4	35 ^{+0.025} ₀	M6x10L	15.8 (17.3)
15A□AHC01-E (15A□AHC0C-E)	1/21	261.5 (295)	208.5 (242)	189	53	16	16	135	163	165 ⁰ _{-0.040}	170	190		51	100	6	47 ^{+0.025} ₀	M8x12L	20.5 (22.0)
15A□AH701-E (15A□AH70C-E)	1/33																		

Note: The models and values in parentheses are for servomotors with holding brakes.

SGMPS

Rotary Servomotors

SGMGV



Model Designations

SGMGV - 03 A D A 2 1

Σ-V Series Servomotor SGMGV
1st+2nd digits
3rd digit
4th digit
5th digit
6th digit
7th digit

1st+2nd digits Rated Output

Code	Specifications
03	300 W
05	450 W
09	850 W
13	1.3 kW
20	1.8 kW
30	2.9 kW
44	4.4 kW
55	5.5 kW
75	7.5 kW
1A	11 kW
1E	15 kW

3rd digit Power Supply Voltage

Code	Specifications
A	200 VAC
D	400 VAC

4th digit Serial Encoder

Code	Specifications
3	20-bit absolute (standard)
D	20-bit incremental (standard)

5th digit Design Revision Order

Code	Specifications
A	Standard

6th digit Shaft End

Code	Specifications
2	Straight without key (standard)
6	Straight with key and tap (optional)

7th digit Options

Code	Specifications
1	Without options
B	With holding brake (90 VDC)
C	With holding brake (24 VDC)
D	With oil seal and holding brake (90 VDC)
E	With oil seal and holding brake (24 VDC)
S	With oil seal

Features

- High-speed driving of feed shafts for various machines
- Wide selection: 300 W to 15 kW capacity, holding brake option
- Mounted serial encoder: 20 bits, high resolution
- Protective structure: IP67

Application Examples

- Machine tools
- Transfer machines
- Material handling machines
- Food processing equipment

Configurations of connectors for the main circuit vary depending on servomotor capacity.



SGMGV-03/-05

The connectors are used only for Yaskawa servomotors. Order the connectors specified by Yaskawa.

Both protective structure IP67 and European Safety Standards compliant connectors are available.

For details, refer to page 106 and 107.



SGMGV-09 to -1E

The connectors for these models are round. The connectors specified by Yaskawa are required. Note that the connectors vary depending on the operation environment of servomotors.

Two types of connectors are available.

- Standard connectors:

For details, refer to page 109 and 110.

- Protective structure IP67 and European Safety Standards compliant connectors:

For details, refer to page 111.

Ratings and Specifications

Time Rating: Continuous

Vibration Class: V15

Insulation Resistance: 500 VDC, 10 MΩ min.

Ambient Temperature: 0 to 40°C

Excitation: Permanent magnet

Mounting: Flange-mounted

Thermal Class: F

Withstand Voltage: 1500 VAC for one minute (200-V Class)

1800 VAC for one minute (400-V Class)

Enclosure: Totally enclosed, self-cooled, IP67

(except for shaft opening)

Ambient Humidity: 20% to 80% (no condensation)

Drive Method: Direct drive

Rotation Direction: Counterclockwise (CCW) with forward run reference when viewed from the load side

200-V Class

Servomotor Model: SGMGV-□□□□		03A	05A	09A	13A	20A	30A	44A	55A	75A	1AA	1EA
Rated Output* ¹	kW	0.3	0.45	0.85	1.3	1.8	2.9 2.4* ²	4.4	5.5	7.5	11	15
Rated Torque* ¹	N·m	1.96	2.86	5.39	8.34	11.5	18.6 15.1* ²	28.4	35.0	48.0	70.0	95.4
Instantaneous Peak Torque* ¹	N·m	5.88	8.92	13.8	23.3	28.7	45.1	71.1	87.6	119	175	224
Rated Current* ¹	Arms	2.8	3.8	6.9	10.7	16.7	23.8 19.6* ²	32.8	42.1	54.7	58.6	78
Instantaneous Max. Current* ¹	Arms	8	11	17	28	42	56	84	110	130	140	170
Rated Speed* ¹	min ⁻¹	1500										
Max. Speed* ¹	min ⁻¹	3000									2000	
Torque Constant	N·m/Arms	0.776	0.854	0.859	0.891	0.748	0.848	0.934	0.871	0.957	1.32	1.37
Rotor Moment of Inertia	×10 ⁻⁴ kg·m ²	2.48 (2.73)	3.33 (3.58)	13.9 (16)	19.9 (22)	26 (28.1)	46 (54.5)	67.5 (76.0)	89.0 (97.5)	125 (134)	242 (261)	303 (341)
Rated Power Rate* ¹	kW/s	15.5 (14.1)	24.6 (22.8)	20.9 (18.2)	35.0 (31.6)	50.9 (47.1)	75.2 (63.5)	119 (106)	138 (126)	184 (172)	202 (188)	300 (283)
Rated Angular Acceleration* ¹	rad/s ²	7900 (7180)	8590 (7990)	3880 (3370)	4190 (3790)	4420 (4090)	4040 (3410)	4210 (3740)	3930 (3590)	3840 (3580)	2890 (2680)	3150 (2960)
Applicable SERVOPACK	SGDV-□□□□	3R8A	3R8A	7R6A	120A	180A	330A 200A* ²	330A	470A	550A	590A	780A

*1: These items and torque-motor speed characteristics quoted in combination with a SERVOPACK are at an armature winding temperature of 20°C.

*2: When using SGDV-200A SERVOPACKS with SGMGV-30A servomotors, use these values.

Notes: 1 The values in parentheses are for servomotors with holding brakes.

2 The above specifications show the values under the cooling condition when the following heat sinks are mounted on the servomotors.

SGMGV-03A/-05A: 250 mm × 250 mm × 6 mm (aluminum)
 SGMGV-09A/-13A/-20A: 400 mm × 400 mm × 20 mm (iron)
 SGMGV-30A/-44A/-55A/-75A: 550 mm × 550 mm × 30 mm (iron)
 SGMGV-1AA/-1EA: 650 mm × 650 mm × 35 mm (iron)

400-V Class

Servomotor Model: SGMGV-□□□□		03D	05D	09D	13D	20D	30D	44D	55D	75D	1AD	1ED
Rated Output*	kW	0.3	0.45	0.85	1.3	1.8	2.9	4.4	5.5	7.5	11	15
Rated Torque*	N·m	1.96	2.86	5.39	8.34	11.5	18.6	28.4	35.0	48.0	70.0	95.4
Instantaneous Peak Torque*	N·m	5.88	8.92	13.8	23.3	28.7	45.1	71.1	87.6	119	175	224
Rated Current*	Arms	1.4	1.9	3.5	5.4	8.4	11.9	16.5	20.8	25.7	28.1	37.2
Instantaneous Max. Current*	Arms	4	5.5	8.5	14	20	28	40.5	52	65	70	85
Rated Speed*	min ⁻¹	1500										
Max. Speed*	min ⁻¹	3000									2000	
Torque Constant	N·m/Arms	1.55	1.71	1.72	1.78	1.50	1.70	1.93	1.80	1.92	2.64	2.74
Rotor Moment of Inertia	×10 ⁻⁴ kg·m ²	2.48 (2.73)	3.33 (3.58)	13.9 (16)	19.9 (22)	26 (28.1)	46 (54.5)	67.5 (76.0)	89.0 (97.5)	125 (134)	242 (261)	303 (341)
Rated Power Rate*	kW/s	15.5 (14.1)	24.6 (22.8)	20.9 (18.2)	35.0 (31.6)	50.9 (47.1)	75.2 (63.5)	119 (106)	138 (126)	184 (172)	202 (188)	300 (283)
Rated Angular Acceleration*	rad/s ²	7900 (7180)	8590 (7990)	3880 (3370)	4190 (3790)	4420 (4090)	4040 (3410)	4210 (3740)	3930 (3590)	3840 (3580)	2890 (2680)	3150 (2960)
Applicable SERVOPACK	SGDV-□□□□	1R9D	1R9D	3R5D	5R4D	8R4D	120D	170D	210D	260D	280D	370D

*: These items and torque-motor speed characteristics quoted in combination with a SERVOPACK are at an armature winding temperature of 20°C.

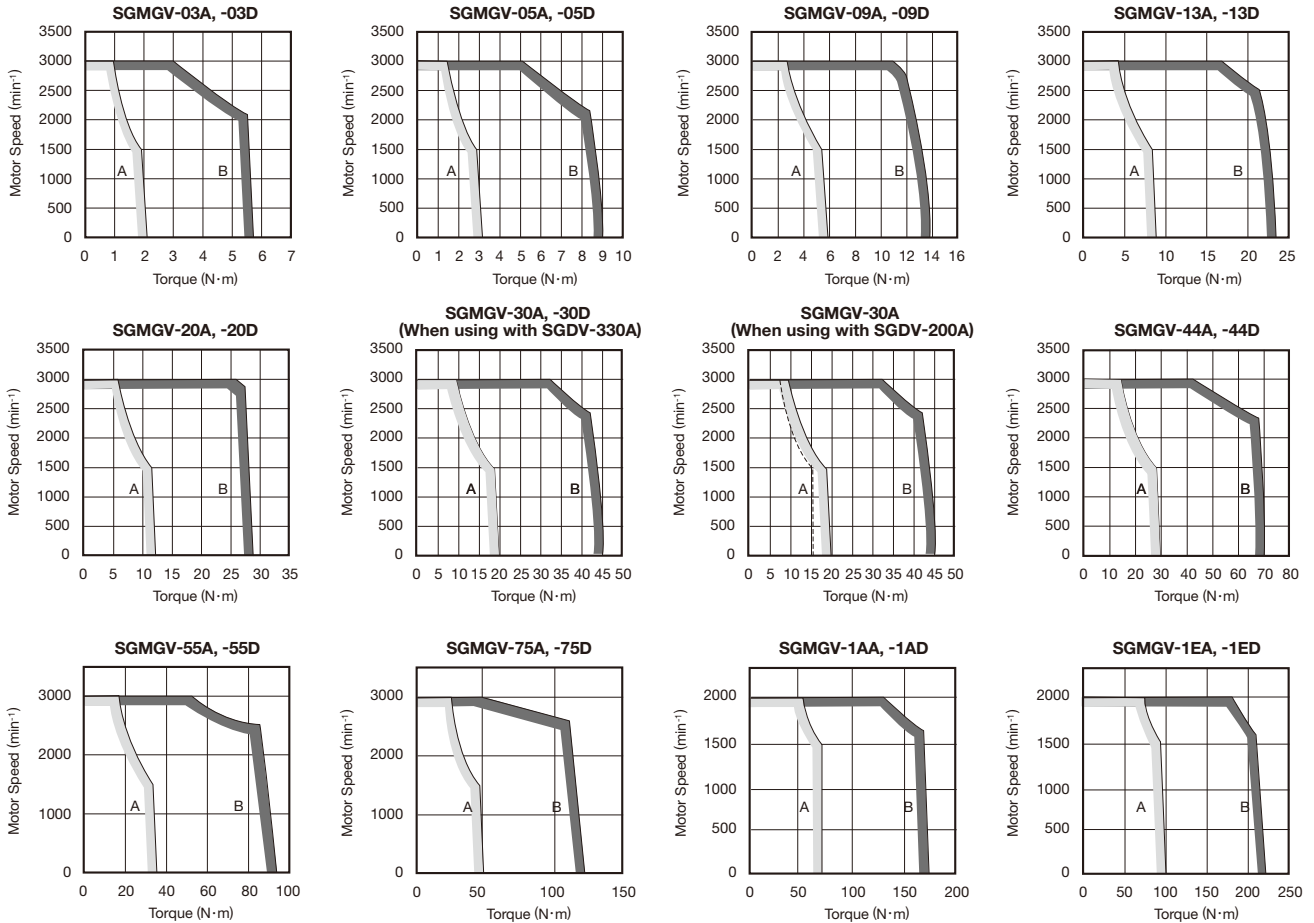
Notes: 1 The values in parentheses are for servomotors with holding brakes.

2 The above specifications show the values under the cooling condition when the following heat sinks are mounted on the servomotors.

SGMGV-03D/-05D: 250 mm × 250 mm × 6 mm (aluminum)
 SGMGV-09D/-13D/-20D: 400 mm × 400 mm × 20 mm (iron)
 SGMGV-30D/-44D/-55D/-75D: 550 mm × 550 mm × 30 mm (iron)
 SGMGV-1AD/-1ED: 650 mm × 650 mm × 35 mm (iron)

Ratings and Specifications

● Torque-Motor Speed Characteristics (200 V/400 V) A : Continuous Duty Zone B : Intermittent Duty Zone



Notes: 1 When the effective torque is within the allowable range for the rated torque, the servomotor can be used within the intermittent duty zone.
2 When the main circuit cable length exceeds 20 m, note that the intermittent duty zone of the Torque-Motor Speed Characteristics will shrink as the line-to-line voltage drops.

● Holding Brake Electrical Specifications

Servomotor Model	Servomotor Rated Output kW	Holding Brake Specifications				
		Holding Torque N·m	Rated Voltage 24 VDC		Rated Voltage 90 VDC	
			Capacity W	Rated Current A (at 20°C)	Capacity W	Rated Current A (at 20°C)
SGMGV-03	0.3	4.5	10	0.42	10	0.11
SGMGV-05	0.45	4.5	10	0.42	10	0.11
SGMGV-09	0.85	12.7	10	0.41	10	0.11
SGMGV-13	1.3	19.6	10	0.41	10	0.11
SGMGV-20	1.8	19.6	10	0.41	10	0.11
SGMGV-30	2.9	43.1	18.5	0.77	18.5	0.21
SGMGV-44	4.4	43.1	18.5	0.77	18.5	0.21
SGMGV-55	5.5	72.6	25	1.05	25	0.28
SGMGV-75	7.5	72.6	25	1.05	25	0.28
SGMGV-1A	11	84.3	32	1.33	32	0.36
SGMGV-1E	15	114.6	35	1.46	35	0.39

Notes: 1 The holding brake is only used to hold the load and cannot be used to stop the servomotor.
2 The holding brake open time and holding brake operation time vary depending on which discharge circuit is used. Make sure holding brake open time and holding brake operation time are correct for your servomotor.
3 A 24-VDC power supply is not included.
4 Refer to page 373 for information on the 90-VDC power supply.

SGMGV

Ratings and Specifications

● Allowable Load Moment of Inertia at the Motor Shaft

The rotor moment of inertia ratio is the value for a servomotor without a gear and a holding brake.

Servomotor Model	Servomotor Rated Output	Allowable Load Moment of Inertia (Rotor Moment of Inertia Ratio)
SGMGV-03 to -1E	0.3 to 1.5 kW	5 times

● Load Moment of Inertia

The larger the load moment of inertia, the worse the movement response of the load.

The allowable load moment of inertia (J_L) depends on the motor capacity, as shown above. This value is provided strictly as a guideline and results may vary depending on servomotor drive conditions.

Use the AC servo drive capacity selection program SigmaSize+ to check the operation conditions.

The program can be downloaded for free from our web site (<http://www.e-mechatronics.com/>).

An overvoltage alarm (A.400) is likely to occur during deceleration if the load moment of inertia exceeds the allowable load moment of inertia. SERVOPACKs with a built-in regenerative resistor may generate a regenerative overload alarm (A.320). Take one of the following steps if this occurs.

- Reduce the torque limit.
- Reduce the deceleration rate.
- Reduce the maximum speed.
- Install an external regenerative resistor if the alarm cannot be cleared using the steps above. Refer to *Regenerative Resistors* on page 375.

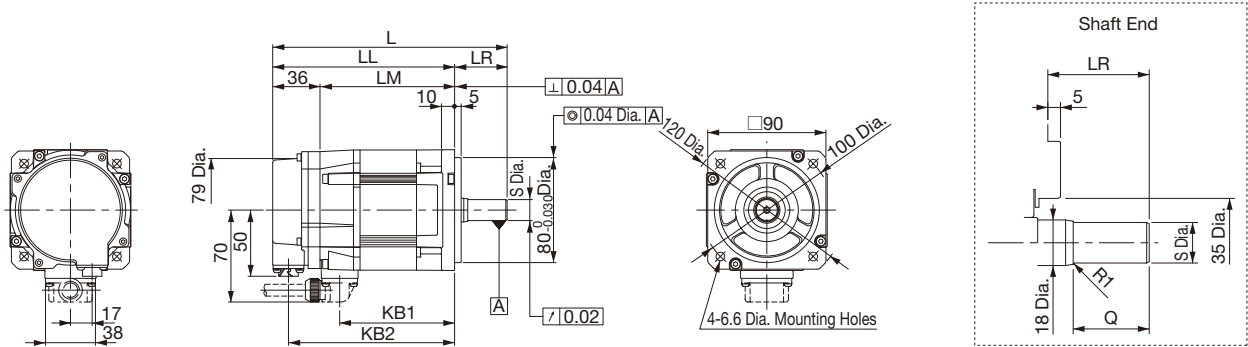
● Allowable Radial and Thrust Loads

Design the mechanical system so thrust and radial loads applied to the servomotor shaft end during operation fall within the ranges shown in the table.

Servomotor Model	Allowable Radial Load (F_r) N	Allowable Thrust Load (F_s) N	LF mm	Reference Diagram	
SGMGV-	03□□A21	490	98	37	
	05□□A21	490	98	40	
	09□□A21	490	98	58	
	13□□A21	686	343	58	
	20□□A21	980	392	58	
	30□□A21	1470	490	79	
	44□□A21	1470	490	79	
	55□□A21	1764	588	113	
	75□□A21	1764	588	113	
	1A□□A21	1764	588	116	
	1E□□A21	4998	2156	116	

External Dimensions Units: mm

● Without Holding Brakes
(1) 300 W, 450 W

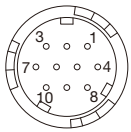


Note: For the specifications of the other shaft ends, refer to page 105.

Model SGMGV-	L	LL	LM	LR	KB1	KB2	Shaft End Dimensions		Approx. Mass kg
							S	Q	
03□□A21	163	126	90	37	75	114	14 ⁰ _{-0.011}	25	2.6
05□□A21	179	139	103	40	88	127	16 ⁰ _{-0.011}	30	3.2

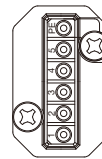
Note: Models with oil seals are of the same configuration.

· Cable Specifications for Encoder-end Connector (20-bit Encoder)



Receptacle: CM10-R10P-D
Applicable plug (To be provided by the customer)
Plug: CM10-AP10S-□-D (L-shaped)
CM10-SP10S-□-D (Straight)
(Boxes (□) indicate a value that varies, depending on cable size.)
Manufacturer: DDK Ltd.

· Cable Specifications for Servomotor-end Connector



Pin	FG (Frame ground)
5	-
4	-
3	Phase U
2	Phase V
1	Phase W

Manufacturer: Japan Aviation Electronics Industry, Ltd.

With an Absolute Encoder

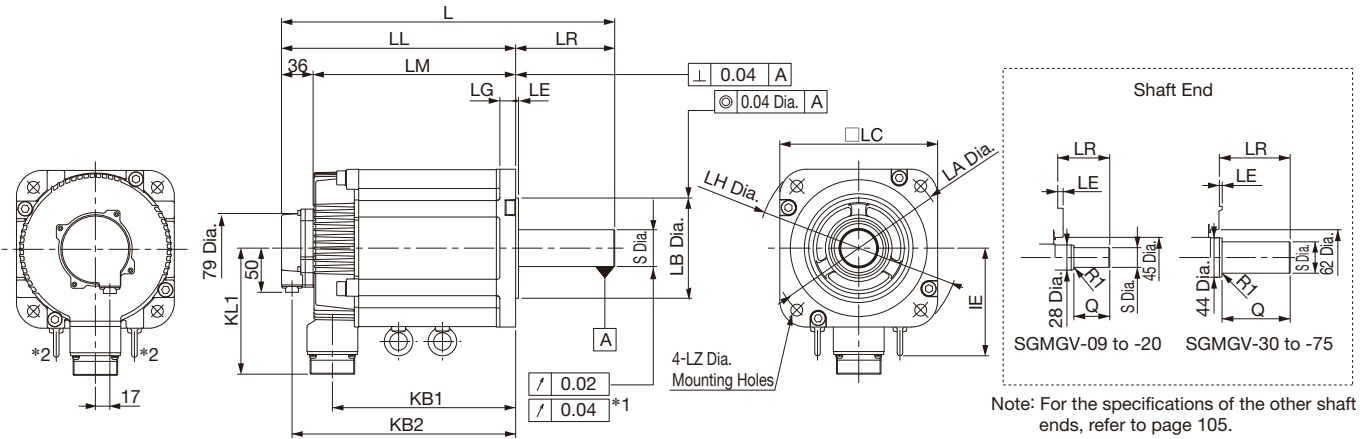
1	PS	6	BAT (+)
2	/PS	7	-
3	-	8	-
4	PG 5V	9	PG 0V
5	BAT (-)	10	FG (Frame ground)

With an Incremental Encoder

1	PS	6	-
2	/PS	7	-
3	-	8	-
4	PG 5V	9	PG 0V
5	-	10	FG (Frame ground)

External Dimensions Units: mm

(2) 850 W to 7.5 kW

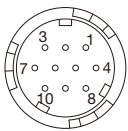


- *1: When using SGMGV-55 and -75 servomotors
 *2: Eyebolts are included for the SGMGV-55 and -75 servomotors.

Model SGMGV-	L	LL	LM	LR	KB1	KB2	IE	KL1	Flange Face Dimensions						Shaft End Dimensions		Approx. Mass kg	
									LA	LB	LC	LE	LG	LH	LZ	S		Q
09□□A21	195	137	101	58	83	125	-	104	145	110 ⁰ _{-0.035}	130	6	12	165	9	19 ⁰ _{-0.013}	40	5.5
13□□A21	211	153	117	58	99	141	-	104	145	110 ⁰ _{-0.035}	130	6	12	165	9	22 ⁰ _{-0.013}	40	7.1
20□□A21	229	171	135	58	117	159	-	104	145	110 ⁰ _{-0.035}	130	6	12	165	9	24 ⁰ _{-0.013}	40	8.6
30□□A21	239	160	124	79	108	148	-	134	200	114.3 ⁰ _{-0.025}	180	3.2	18	230	13.5	35 ^{+0.01} ₀	76	13.5
44□□A21	263	184	148	79	132	172	-	134	200	114.3 ⁰ _{-0.025}	180	3.2	18	230	13.5	35 ^{+0.01} ₀	76	17.5
55□□A21	334	221	185	113	163	209	123	144	200	114.3 ⁰ _{-0.025}	180	3.2	18	230	13.5	42 ⁰ _{-0.016}	110	21.5
75□□A21	380	267	231	113	209	255	123	144	200	114.3 ⁰ _{-0.025}	180	3.2	18	230	13.5	42 ⁰ _{-0.016}	110	29.5

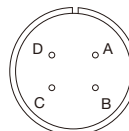
Note: Models with oil seals are of the same configuration.

· Cable Specifications for Encoder-end Connector (20-bit Encoder)



Receptacle: CM10-R10P-D
 Applicable plug (To be provided by the customer)
 Plug: CM10-AP10S-□-D (L-shaped)
 CM10-SP10S-□-D (Straight)
 (Boxes □ indicate a value that varies, depending on cable size.)
 Manufacturer: DDK Ltd.

· Cable Specifications for Servomotor-end Connector



A	Phase U
B	Phase V
C	Phase W
D	FG (Frame ground)

Manufacturer: DDK Ltd.

With an Absolute Encoder

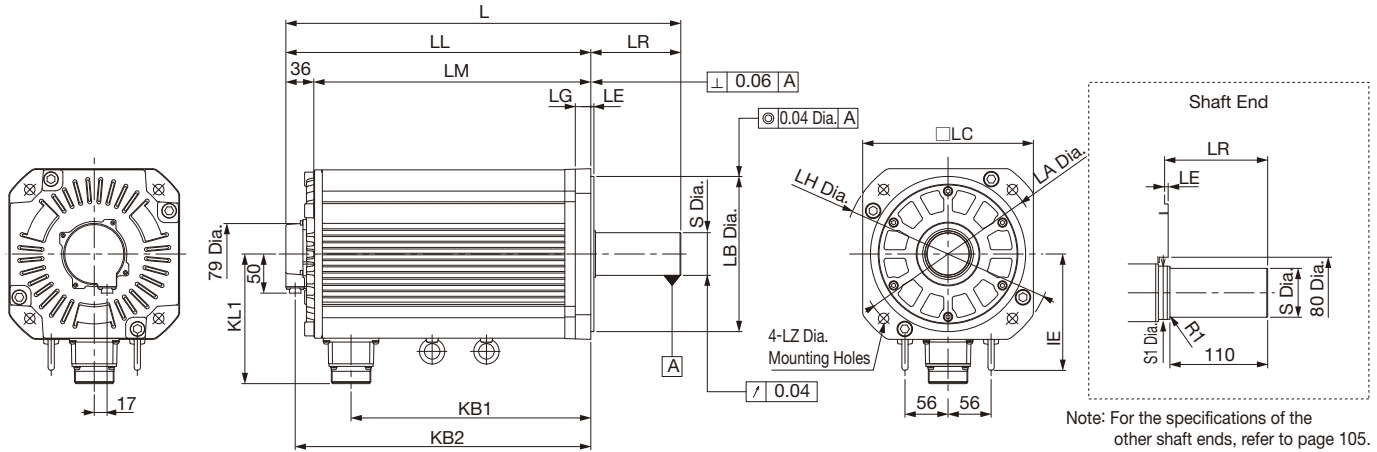
1	PS	6	BAT (+)
2	/PS	7	-
3	-	8	-
4	PG 5V	9	PG 0V
5	BAT (-)	10	FG (Frame ground)

With an Incremental Encoder

1	PS	6	-
2	/PS	7	-
3	-	8	-
4	PG 5V	9	PG 0V
5	-	10	FG (Frame ground)

External Dimensions Units: mm

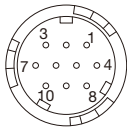
(3) 11 kW, 15 kW



Model SGMGV-	L	LL	LM	LR	KB1	KB2	IE	KL1	Flange Face Dimensions							Shaft End Dimensions		Approx. Mass kg
									LA	LB	LC	LE	LG	LH	LZ	S	S1	
1A□□A21	447	331	295	116	247	319	150	168	235	200 ⁰ _{-0.046}	220	4	20	270	13.5	42 ⁰ _{-0.016}	50	57
1E□□A21	509	393	357	116	309	381	150	168	235	200 ⁰ _{-0.046}	220	4	20	270	13.5	55 ^{+0.030} _{-0.011}	60	67

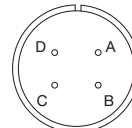
Note: Models with oil seals are of the same configuration.

· Cable Specifications for Encoder-end Connector
(20-bit Encoder)



Receptacle: CM10-R10P-D
Applicable plug (To be provided by the customer)
Plug: CM10-AP10S-□-D (L-shaped)
CM10-SP10S-□-D (Straight)
(Boxes □ indicate a value that varies,
depending on cable size.)
Manufacturer: DDK Ltd.

· Cable Specifications for Servomotor-end Connector



A	Phase U
B	Phase V
C	Phase W
D	FG (Frame ground)

Manufacturer: DDK Ltd.

With an Absolute Encoder

1	PS	6	BAT (+)
2	/PS	7	-
3	-	8	-
4	PG 5V	9	PG 0V
5	BAT (-)	10	FG (Frame ground)

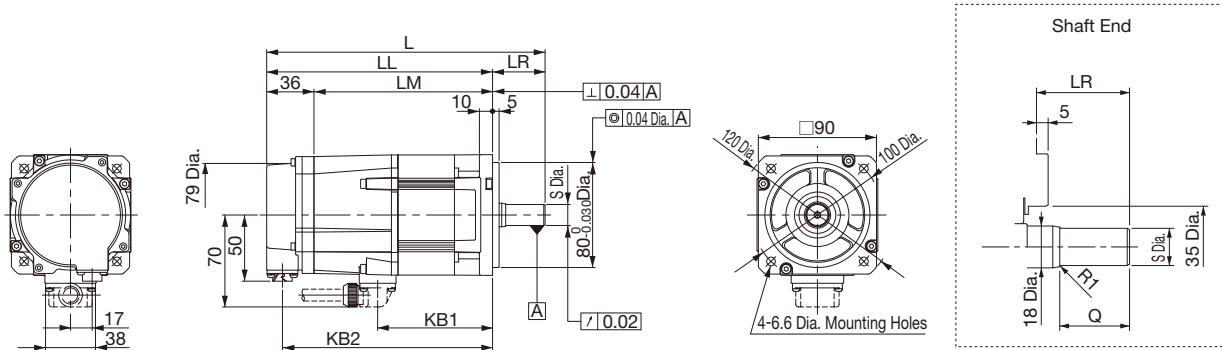
With an Incremental Encoder

1	PS	6	-
2	/PS	7	-
3	-	8	-
4	PG 5V	9	PG 0V
5	-	10	FG (Frame ground)

External Dimensions Units: mm

● With Holding Brakes

(1) 300 W, 450 W

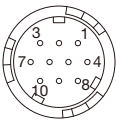


Note: For the specifications of the other shaft ends, refer to page 105.

Model SGMGV-	L	LL	LM	LR	KB1	KB2	Shaft End Dimensions		Approx. Mass kg
							S	Q	
03□□A2□	196	159	123	37	75	147	14 ⁰ _{-0.011}	25	3.6
05□□A2□	212	172	136	40	88	160	16 ⁰ _{-0.011}	30	4.2

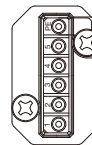
Note: Models with oil seals are of the same configuration.

· Cable Specifications for Encoder-end Connector (20-bit Encoder)



Receptacle: CM10-R10P-D
 Applicable plug (To be provided by the customer)
 Plug: CM10-AP10S-□-D (L-shaped)
 CM10-SP10S-□-D (Straight)
 (Boxes (□) indicate a value that varies, depending on cable size.)
 Manufacturer: DDK Ltd.

· Cable Specifications for Servomotor-end Connector



PE	FG (Frame ground)
5	Brake terminal
4	Brake terminal
3	Phase U
2	Phase V
1	Phase W

With an Absolute Encoder

1	PS	6	BAT (+)
2	/PS	7	-
3	-	8	-
4	PG 5V	9	PG 0V
5	BAT (-)	10	FG (Frame ground)

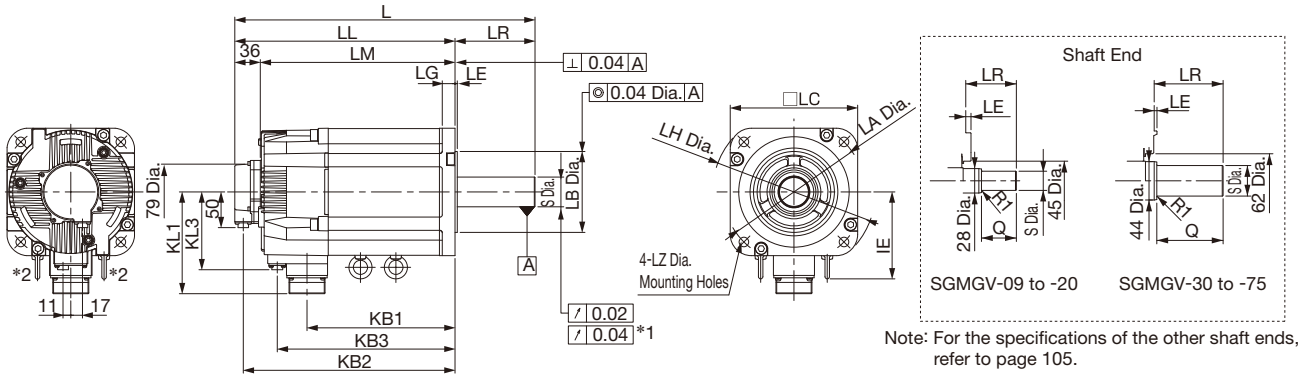
With an Incremental Encoder

1	PS	6	-
2	/PS	7	-
3	-	8	-
4	PG 5V	9	PG 0V
5	-	10	FG (Frame ground)

Manufacturer: Japan Aviation Electronics Industry, Ltd.

External Dimensions Units: mm

(2) 850 W to 7.5 kW

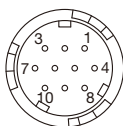


*1: When using SGMGV-55 and -75 servomotors
*2: Eyebolts are included for the SGMGV-55 and -75 servomotors.

Model SGMGV-	L	LL	LM	LR	KB1	KB2	KB3	IE	KL1	KL3	Flange Face Dimensions							Shaft End Dimensions		Approx. Mass kg
											LA	LB	LC	LE	LG	LH	LZ	S	Q	
09□□A2□	231	173	137	58	83	161	115	-	104	80	145	110 ⁰ _{-0.035}	130	6	12	165	9	19 ⁰ _{-0.013}	40	7.5
13□□A2□	247	189	153	58	99	177	131	-	104	80	145	110 ⁰ _{-0.035}	130	6	12	165	9	22 ⁰ _{-0.013}	40	9.0
20□□A2□	265	207	171	58	117	195	149	-	104	80	145	110 ⁰ _{-0.035}	130	6	12	165	9	24 ⁰ _{-0.013}	40	11.0
30□□A2□	287	208	172	79	108	196	148	-	134	110	200	114.3 ⁰ _{-0.025}	180	3.2	18	230	13.5	35 ^{+0.01} ₀	76	19.5
44□□A2□	311	232	196	79	132	220	172	-	134	110	200	114.3 ⁰ _{-0.025}	180	3.2	18	230	13.5	35 ^{+0.01} ₀	76	23.5
55□□A2□	378	265	229	113	163	253	205	123	144	110	200	114.3 ⁰ _{-0.025}	180	3.2	18	230	13.5	42 ⁰ _{-0.016}	110	27.5
75□□A2□	424	311	275	113	209	299	251	123	144	110	200	114.3 ⁰ _{-0.025}	180	3.2	18	230	13.5	42 ⁰ _{-0.016}	110	35

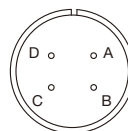
Note: Models with oil seals are of the same configuration.

· Cable Specifications for Encoder-end Connector (20-bit Encoder)



Receptacle: CM10-R10P-D
Applicable plug (To be provided by the customer)
Plug: CM10-AP10S-□-D (L-shaped)
CM10-SP10S-□-D (Straight)
(Boxes (□) indicate a value that varies, depending on cable size.)
Manufacturer: DDK Ltd.

· Cable Specifications for Servomotor-end Connector



A	Phase U
B	Phase V
C	Phase W
D	FG (Frame ground)

Manufacturer: DDK Ltd.

With an Absolute Encoder

1	PS	6	BAT (+)
2	/PS	7	-
3	-	8	-
4	PG 5V	9	PG 0V
5	BAT (-)	10	FG (Frame ground)

With an Incremental Encoder

1	PS	6	-
2	/PS	7	-
3	-	8	-
4	PG 5V	9	PG 0V
5	-	10	FG (Frame ground)

· Cable Specifications for Brake-end Connector



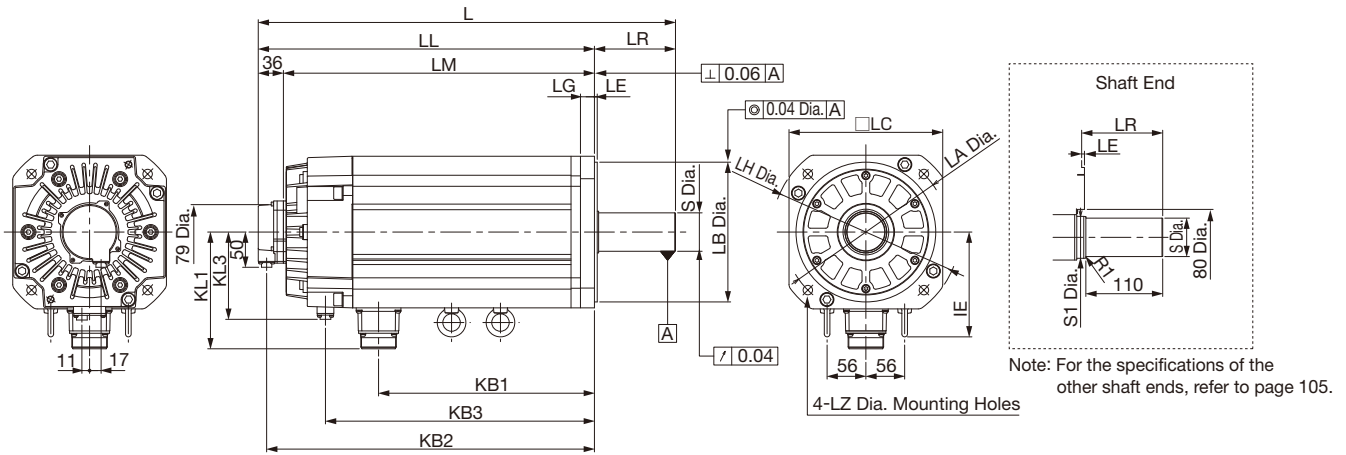
Receptacle: CM10-R2P-D
Applicable plug (To be provided by the customer)
Plug: CM10-AP2S-□-D (L-shaped)
CM10-SP2S-□-D (Straight)
(Boxes (□) indicate a value that varies, depending on cable size.)
Manufacturer: DDK Ltd.

Brake terminal
Brake terminal

Note: No polarity for connection to the brake terminals

External Dimensions Units: mm

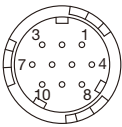
(3) 11 kW, 15 kW



Model SGMGV-	L	LL	LM	LR	KB1	KB2	KB3	IE	KL1	KL3	Flange Face Dimensions						Shaft End Dimensions		Approx. Mass kg	
											LA	LB	LC	LE	LG	LH	LZ	S		S1
1A□□A2□	498	382	346	116	247	370	315	150	168	125	235	200 ⁰ _{-0.046}	220	4	20	270	13.5	42 ⁰ _{-0.016}	50	65
1E□□A2□	598	482	446	116	309	470	385	150	168	125	235	200 ⁰ _{-0.046}	220	4	20	270	13.5	55 ^{+0.030} _{+0.011}	60	85

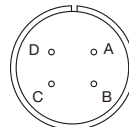
Note: Models with oil seals are of the same configuration.

· Cable Specifications for Encoder-end Connector
(20-bit Encoder)



Receptacle: CM10-R10P-D
Applicable plug (To be provided by the customer)
Plug: CM10-AP10S-□-D (L-shaped)
CM10-SP10S-□-D (Straight)
(Boxes □ indicate a value that varies,
depending on cable size.)
Manufacturer: DDK Ltd.

· Cable Specifications for Servomotor-end Connector



A	Phase U
B	Phase V
C	Phase W
D	FG (Frame ground)

Manufacturer: DDK Ltd.

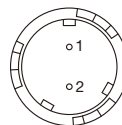
With an Absolute Encoder

1	PS	6	BAT (+)
2	/PS	7	-
3	-	8	-
4	PG 5V	9	PG 0V
5	BAT (-)	10	FG (Frame ground)

With an Incremental Encoder

1	PS	6	-
2	/PS	7	-
3	-	8	-
4	PG 5V	9	PG 0V
5	-	10	FG (Frame ground)

· Cable Specifications for Brake-end Connector



Receptacle: CM10-R2P-D
Applicable plug (To be provided by the customer)
Plug: CM10-AP2S-□-D (L-shaped)
CM10-SP2S-□-D (Straight)
(Boxes □ indicate a value that varies,
depending on cable size.)
Manufacturer: DDK Ltd.

Brake terminal
Brake terminal

Note: No polarity for connection to the brake terminals

External Dimensions Units: mm

● Shaft End

SGMGV -

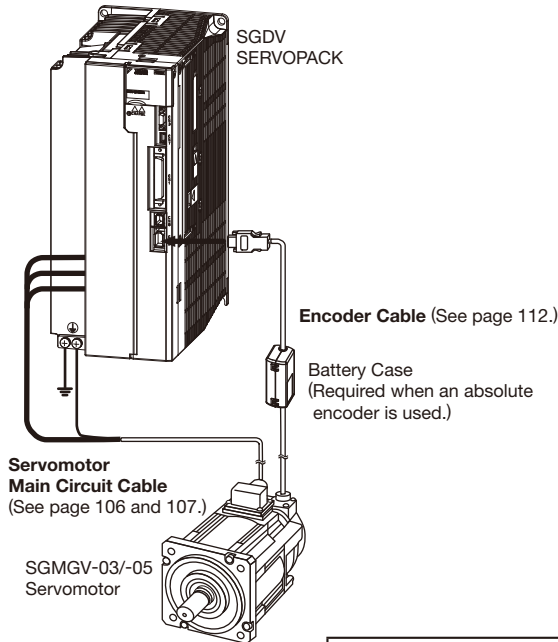
Code	Specifications	Remarks
2	Straight without key	Standard
6	Straight with key and tap for one location (Key slot is JIS B1301-1996 fastening type)	Optional

Shaft End	Model SGMGV-									
	03	05	09	13	20	30/44	55/75	1A	1E	
Code: 2 (Straight without Key)										
	LR	37	40	58	58	58	79	113	116	116
	Q	25	30	40	40	40	76	110	110	110
	S	14 ⁰ _{-0.011}	16 ⁰ _{-0.011}	19 ⁰ _{-0.013}	22 ⁰ _{-0.013}	24 ⁰ _{-0.013}	35 ^{+0.01} ₀	42 ⁰ _{-0.016}	42 ⁰ _{-0.016}	55 ^{+0.030} _{+0.011}
Code: 6 (Straight with Key and Tap)										
	LR	37	40	58	58	58	79	113	116	116
	Q	25	30	40	40	40	76	110	110	110
	QK	15	20	25	25	25	60	90	90	90
	S	14 ⁰ _{-0.011}	16 ⁰ _{-0.011}	19 ⁰ _{-0.013}	22 ⁰ _{-0.013}	24 ⁰ _{-0.013}	35 ^{+0.01} ₀	42 ⁰ _{-0.016}	42 ⁰ _{-0.016}	55 ^{+0.030} _{+0.011}
	W	5	5	5	6	8	10	12	12	16
	T	5	5	5	6	7	8	8	8	10
	U	3	3	3	3.5	4	5	5	5	6
	P	M4 Screw, Depth 10	M5 Screw, Depth 12				M12 Screw, Depth 25	M16 Screw, Depth 32	M20 Screw, Depth 40	

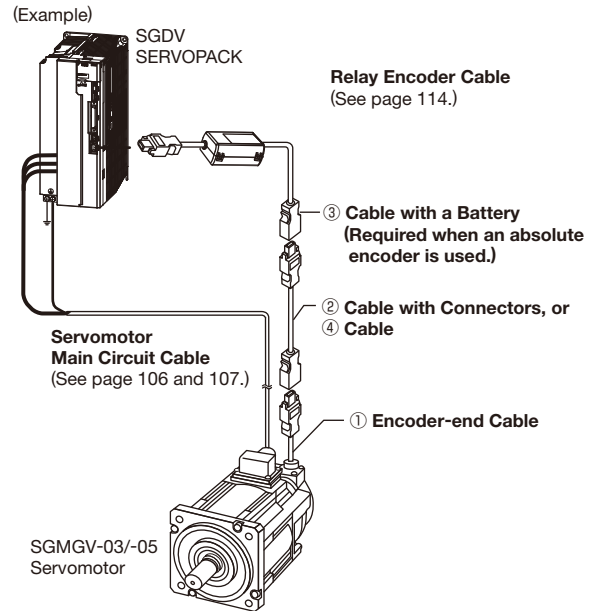
Selecting Cables (SGMGV-03 / -05)

● Cables Connections

- Standard Wiring (Max. encoder cable length: 20 m)



- Encoder Cable Extension from 30 to 50 m
(See page 114.)



⚠ CAUTION

- Separate the servomotor main circuit cable wiring from the I/O signal cable and encoder cable at least 30 cm, and do not bundle or run them in the same duct.
- When the main circuit cable length exceeds 20 m, note that the intermittent duty zone of the *Torque-Motor Speed Characteristics* will shrink as the line-to-line voltage drops.

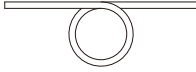
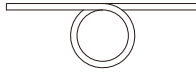
● Servomotor Main Circuit Cable

Servomotor Rated Output	Name	Length	Order No.	Specifications	Details
			Standard (Flexible) Type*		
0.3 kW 0.45 kW	For Servomotor without Holding Brakes	3 m	JZSP-CVM21-03-E		(1)
		5 m	JZSP-CVM21-05-E		
		10 m	JZSP-CVM21-10-E		
		15 m	JZSP-CVM21-15-E		
		20 m	JZSP-CVM21-20-E		
		30 m	JZSP-CVM21-30-E		
		40 m	JZSP-CVM21-40-E		
	50 m	JZSP-CVM21-50-E			
	For Servomotor with Holding Brakes	3 m	JZSP-CVM41-03-E		(2)
		5 m	JZSP-CVM41-05-E		
		10 m	JZSP-CVM41-10-E		
		15 m	JZSP-CVM41-15-E		
		20 m	JZSP-CVM41-20-E		
		30 m	JZSP-CVM41-30-E		
40 m		JZSP-CVM41-40-E			
50 m	JZSP-CVM41-50-E				
	Servomotor-end Connector Kit	-	JZSP-CVM9-1-E	Crimped Type (A crimp tool is required.)	(3)

*: These flexible cables are provided as standard equipment.

(Cont'd)

Selecting Cables (SGMGV-03 / -05)

Servomotor Rated Output	Name	Length	Order No.		Specifications	Details
			Standard	(Flexible) Type*		
0.3 kW 0.45 kW	Cables	For Servomotor without Holding Brakes (4 wires)	3 m	JZSP-CVM29-03-E		(4)
			5 m	JZSP-CVM29-05-E		
			10 m	JZSP-CVM29-10-E		
			15 m	JZSP-CVM29-15-E		
			20 m	JZSP-CVM29-20-E		
			30 m	JZSP-CVM29-30-E		
			40 m	JZSP-CVM29-40-E		
			50 m	JZSP-CVM29-50-E		
		For Servomotor with Holding Brakes (6 wires)	3 m	JZSP-CVM49-03-E		(4)
			5 m	JZSP-CVM49-05-E		
			10 m	JZSP-CVM49-10-E		
			15 m	JZSP-CVM49-15-E		
			20 m	JZSP-CVM49-20-E		
			50 m	JZSP-CVM49-50-E		

*: These flexible cables are provided as standard equipment.

(1) Wiring Specifications for Servomotors without Holding Brakes

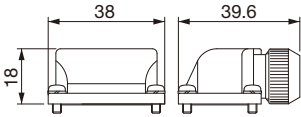
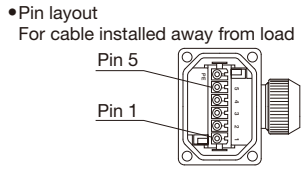
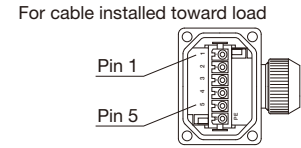
SERVOPACK-end Leads		Servomotor-end Connector	
Wire Color	Signal	Signal	Pin No.
Green/yellow	FG	FG	PE
-	-	-	5
-	-	-	4
Red	Phase U	Phase U	3
White	Phase V	Phase V	2
Blue	Phase W	Phase W	1

(2) Wiring Specifications for Servomotor with Holding Brakes

SERVOPACK-end Leads		Servomotor-end Connector	
Wire Color	Signal	Signal	Pin No.
Green/yellow	FG	FG	PE
Black	Brake	Brake	5
Black	Brake	Brake	4
Red	Phase U	Phase U	3
White	Phase V	Phase V	2
Blue	Phase W	Phase W	1

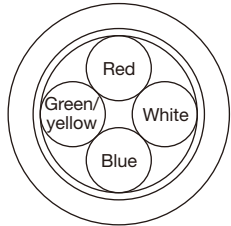
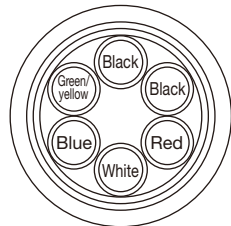
Note: No polarity for connection to a holding brake

(3) Servomotor-end Connector Kit Specifications

Items	Specifications	External Dimensions mm
Order No.	JZSP-CVM9-1-E (Cables are not included.)	
Applicable Servomotors	SGMGV-03/-05	
Manufacturer	Japan Aviation Electronics Industry, Ltd.	
Plug	JNYFX06SJ3	
Electrical Contact	ST-TMH-S-C1B	
Applicable Wire Size	AWG18 to 22	
Outer Diameter of Insulating Sheath	1.3 dia. to 1.8 dia.	
Mounting Screw	M3 Pan head screw	
Applicable Cable Outer Diameter	6.9 dia. to 8.3 dia.	

Note: A crimp tool (Model no. : CT160-3-TMH5B) is required. Contact the respective manufacturer for more information.

(4) Cable Specifications (Flexible Type)

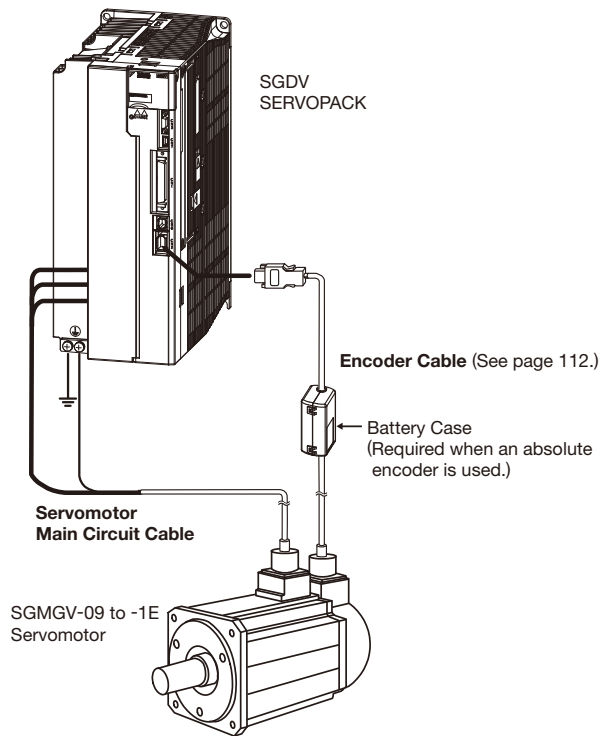
Items	For Servomotor without Holding Brakes (4 wires)	For Servomotor with Holding Brakes (6 wires)
Order No.*	JZSP-CVM29-□□-E	JZSP-CVM49-□□-E
Cable Length	50 m max.	
Specifications	UL2586 (Rating temperature: 105°C) AWG20×4C For power line: AWG20 (0.55 mm ²) Outer diameter of insulating sheath: 1.77 dia.	UL2586 (Rating temperature: 105°C) AWG20×6C For power line: AWG20 (0.55 mm ²) Outer diameter of insulating sheath: 1.77 dia. For holding brake line: AWG20 (0.55 mm ²) Outer diameter of insulating sheath: 1.77 dia.
Finished Dimensions	7.3±0.3 dia.	7.4±0.3 dia.
Internal Configuration and Lead Color		
Yaskawa Standard Specifications (Standard Length)	Cable length: 3 m, 5 m, 10 m, 15 m, 20 m, 30 m, 40 m, 50 m	

*: Specify the cable length in □□ of order no.
Example: JZSP-CVM29-05-E (5 m)

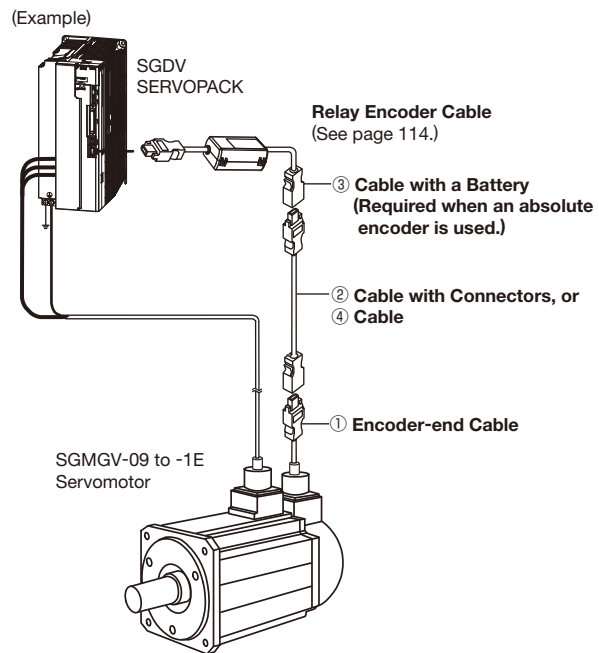
Selecting Cables (SGMGV-09 to -1E)

● Cables Connections

- Standard Wiring (Max. encoder cable length: 20 m)



- Encoder Cable Extension from 30 to 50 m
(See page 114.)



⚠ CAUTION

- Separate the servomotor main circuit cable wiring from the I/O signal cable and encoder cable at least 30 cm, and do not bundle or run them in the same duct.
- When the main circuit cable length exceeds 20 m, note that the intermittent duty zone of the *Torque-Motor Speed Characteristics* will shrink as the line-to-line voltage drops.

● Servomotor Main Circuit Cables

Customers must assemble the servomotor's main circuit cables and attach connectors to connect the SERVOPACKs and the SGMGV servomotors.

The connectors specified by Yaskawa are required. Note that the connectors vary depending on the operation environment of servomotors.

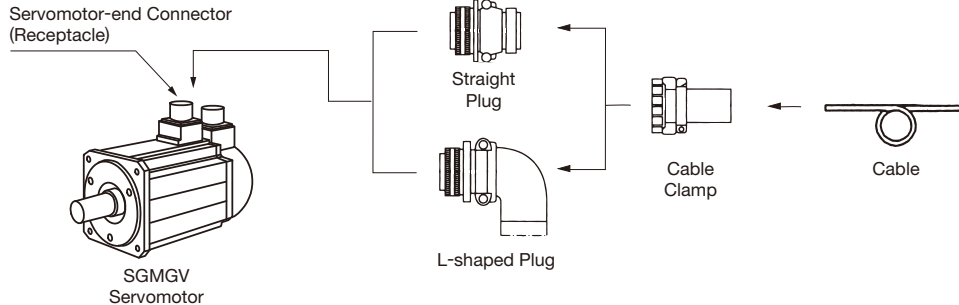
Two types of connectors are available.

- Standard connectors
- Protective structure IP67 and European Safety Standards compliant connectors

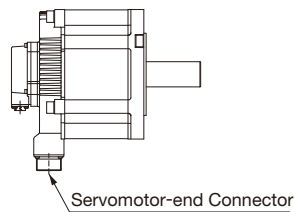
Yaskawa does not specify which cables to use. Use appropriate cables for the connectors.

Selecting Cables (SGMGV-09 to -1E)

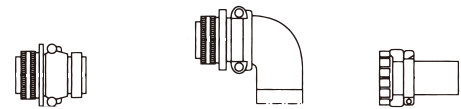
● Standard Connectors
● Connector Configuration



(1) Without Holding Brakes



Servomotor-end Connector
For 0.85 to 15 kW

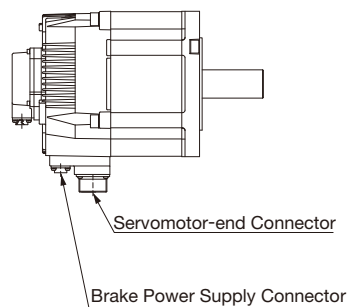


Capacity kW	Servomotor-end Connector (Receptacle)	Cable-end Connector (Not provided by Yaskawa)		
		Straight Plug	L-shaped Plug	Cable Clamp
0.85 1.3 1.8	CE05-2A18-10PD-D (MS3102A18-10P)	MS3106B18-10S	MS3108B18-10S	MS3057-10A
2.9 4.4	CE05-2A22-22PD-D (MS3102A22-22P)	MS3106B22-22S	MS3108B22-22S	MS3057-12A
5.5 to 15	CE05-2A32-17PD-D (MS3102A32-17P)	MS3106B32-17S	MS3108B32-17S	MS3057-20A

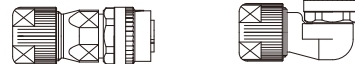
Notes: 1 Servomotor-end connectors (receptacles) are RoHS-compliant. Contact the respective connector manufacturers for RoHS-compliant cable-end connectors (not provided by Yaskawa).
2 Servomotor-end connectors (receptacles) can be used with MS plugs. For the model number of the MS receptacle, refer to the receptacle number in parentheses and select the appropriate plug.

(2) With Holding Brakes

0.85 to 15 kW servomotors require servomotor-end connector and brake power supply connector. The servomotor-end connector is the same as is used for servomotors without holding brakes.



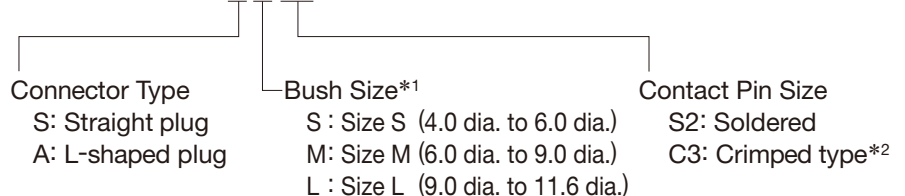
Brake Power Supply Connector
0.85 to 15 kW



Capacity kW	Servomotor-end Connector (Receptacle)	Cable-end Connector (Not provided by Yaskawa)		
		Straight Plug	L-shaped Plug	Manufacturer
0.85 to 15	CM10-R2P-D	CM10-SP2S-S-D Applicable Cable: 4.0 dia. to 6.0 dia.	CM10-AP2S-S-D Applicable Cable: 4.0 dia. to 6.0 dia.	DDK Ltd.
		CM10-SP2S-M-D Applicable Cable: 6.0 dia. to 9.0 dia.	CM10-AP2S-M-D Applicable Cable: 6.0 dia. to 9.0 dia.	
		CM10-SP2S-L-D Applicable Cable: 9.0 dia. to 11.6 dia.	CM10-AP2S-L-D Applicable Cable: 9.0 dia. to 11.6 dia.	

To order a brake power supply connector kit (0.85 to 15 kW) with the order no. below, contact your Yaskawa representative.

J Z S P - C V B 9 - S M S₂ - E



*1: A size-M connector kit is available as a standard equipment.
*2: A crimp tool (model: 357J-50448T) by DDK Ltd. is required.

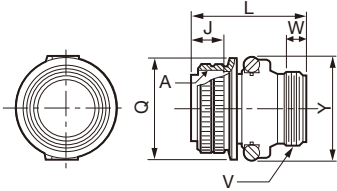
SGMGV

Selecting Cables (SGMGV-09 to -1E)

● Cable-end Connectors

(1) MS3106B□□-□□S :

Straight Plug

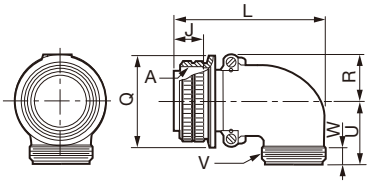


Units: mm

Shell Size	Joint Screw A	Length of Joint Portion J±0.12	Overall Length L max.	Outer Diameter of Joint Nut Q ⁺⁰ _{-0.38}	Cable Clamp Set Screw V	Effective Screw Length W min.	Maximum Width Y max.
18	1-1/8-18UNEF	18.26	52.37	34.13	1-20UNEF	9.53	42
22	1-3/8-18UNEF	18.26	55.57	40.48	1-3/16-18UNEF	9.53	50
32	2-18UNS	18.26	61.92	56.33	1-3/4-18UNS	11.13	66

(2) MS3108B□□-□□S :

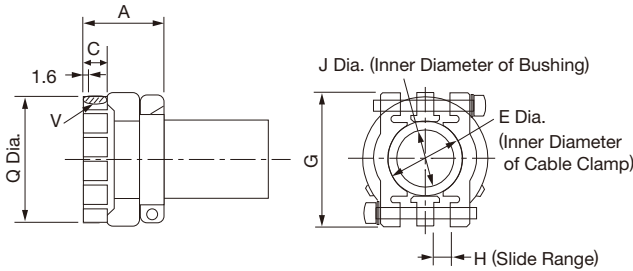
L-shaped Plug



Units: mm

Shell Size	Joint Screw A	Length of Joint Portion J±0.12	Overall Length L max.	Outer Diameter of Joint Nut Q ⁺⁰ _{-0.38}	R ±0.5	U ±0.5	Cable Clamp Set Screw V	Effective Screw Length W min.
18	1-1/8-18UNEF	18.26	68.27	34.13	20.5	30.2	1-20UNEF	9.53
22	1-3/8-18UNEF	18.26	76.98	40.48	24.1	33.3	1-3/16-18UNEF	9.53
32	2-18UNS	18.26	95.25	56.33	32.8	44.4	1-3/4-18UNS	11.13

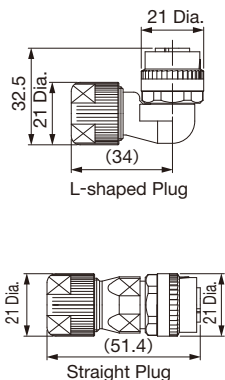
(3) MS3057-□□A : Cable Clamp with Rubber Bushing



Units: mm

Cable Clamp Type	Applicable Connector Shell Size	Overall Length A±0.7	Effective Screw Length C	E Diameter	G±0.7	H	J Diameter	Set Screw V	Outer Diameter Q±0.7 Dia.	Attached Bushing
MS3057-10A	18	23.8	10.3	15.9	31.7	3.2	14.3	1-20UNEF	30.1	AN3420-10
MS3057-12A	20, 22	23.8	10.3	19	37.3	4	15.9	1-3/16-18UNEF	35.0	AN3420-12
MS3057-20A	32	27.8	11.9	31.7	51.6	6.3	23.8	1-3/4-18UNS	51.6	AN3420-20

● Dimensional Drawings of Brake Power Supply

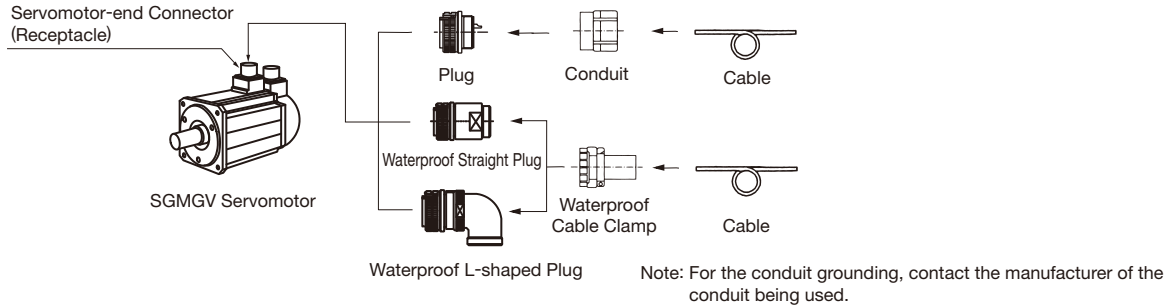


Items	Specifications
Connector Order No.	CM10-□P2S-□-D (Cables are not included.)
Protective Structure	IP67
Manufacturer	DDK Ltd.
Instructions	L-shaped plug (CM10-AP2S-□-D): TC-573, Straight plug (CM10-SP2S-□-D): TC-583
Electrical Contact Order No.	<p>Electrical contact (100 pcs in one bag)</p> <ul style="list-style-type: none"> ·Crimped type: CM10-#22SC(C3)-100, Wire size: AWG16 to 20, Outer diameter of sheath: 1.87 to 2.45 dia., Hand tool: 357J-50448T ·Soldered type: CM10-#22SC (S2)-100, Wire size: AWG16 max. <p>Reel contact (4000 pcs on one reel)</p> <ul style="list-style-type: none"> ·Crimped type: CM10-#22SC(C3)-4000, Wire size: AWG 16 to 20, Outer diameter of sheath: 1.87 to 2.45 dia., Semi-automatic tool: AP-A50541T (product name for one set), AP-A50541T-1 (product name for applicator) <p>Note: The product name of the semi-automatic tool refers to the product name of the press and applicator (crimper) as a set.</p>

Selecting Cables (SGMGV-09 to -1E)

● **Protective Structure IP67 and European Safety Standards Compliant Connector**

● **Connector Configuration**



(1) Without Holding Brakes

Servomotor-end Connector For 0.85 to 15 kW

Capacity kW	Servomotor-end Connector (Receptacle)	Cable-end Connector (Not Provided by Yaskawa)			Applicable Cable Diameter (For Reference)	Manufacturer
		Straight Plug	L-shaped Plug	Cable Clamp		
0.85 1.3 1.8	CE05-2A18-10PD-D	CE05-6A18-10SD-D-BSS	CE05-8A18-10SD-D-BAS	CE3057-10A-1-D	10.5 dia. to 14.1 dia.	DDK Ltd.
				CE3057-10A-2-D	8.5 dia. to 11.0 dia.	
				CE3057-10A-3-D	6.5 dia. to 8.7 dia.	
2.9 4.4	CE05-2A22-22PD-D	CE05-6A22-22SD-D-BSS	CE05-8A22-22SD-D-BAS	CE3057-12A-1-D	12.5 dia. to 16.0 dia.	
				CE3057-12A-2-D	9.5 dia. to 13.0 dia.	
				CE3057-12A-3-D	6.8 dia. to 10.0 dia.	
				CE3057-12A-7-D	14.5 dia. to 17.0 dia.	
5.5 to 15	CE05-2A32-17PD-D	CE05-6A32-17SD-D-BSS	CE05-8A32-17SD-D-BAS	CE3057-20A-1-D	22 dia. to 23.8 dia.	
				CE3057-20A-2-D	24 dia. to 26.6 dia.	
				CE3057-20A-3-D	22 dia. to 22.5 dia.	

(2) With Holding Brakes

0.85 to 15 kW servomotors require servomotor-end connector and brake power supply connector. The servomotor-end connector is the same as is used for servomotors without holding brakes.

Servomotor-end Connector (The same as is used for servomotors without holding brakes.)

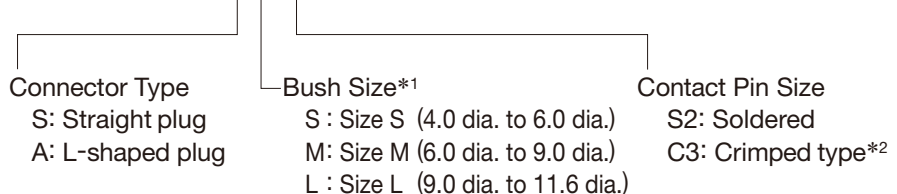
Brake Power Supply Connector

Brake Power Supply Connector For 0.85 to 15 kW

Capacity kW	Servomotor-end Connector (Receptacle)	Cable-end Connector (Not provided by Yaskawa)		Manufacturer
		Straight Plug	L-shaped Plug	
0.85 to 15	CM10-R2P-D	CM10-SP2S-S-D Applicable Cable: 4.0 dia. to 6.0 dia.	CM10-AP2S-S-D Applicable Cable: 4.0 dia. to 6.0 dia.	DDK Ltd.
		CM10-SP2S-M-D Applicable Cable: 6.0 dia. to 9.0 dia.	CM10-AP2S-M-D Applicable Cable: 6.0 dia. to 9.0 dia.	
		CM10-SP2S-L-D Applicable Cable: 9.0 dia. to 11.6 dia.	CM10-AP2S-L-D Applicable Cable: 9.0 dia. to 11.6 dia.	

To order a brake power supply connector kit (0.85 to 15 kW) with the order no. below, contact your Yaskawa representative.

J Z S P - C V B 9 - S M S 2 - E

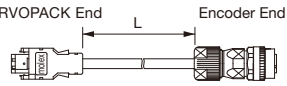
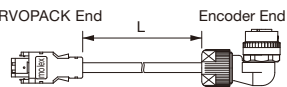
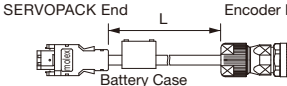
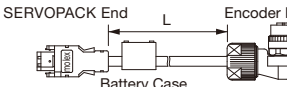
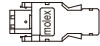
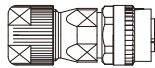
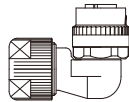
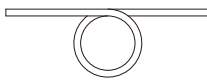


*1: A size-M connector kit is available as a standard equipment.
*2: A crimp tool (model: 357J-50448T) by DDK Ltd. is required.

SGMGV

Selecting Cables

● Encoder Cables (Max. length: 20 m)

Name	Length (L)	Order No.		Specifications	Details
		Standard Type	Flexible Type*1		
Encoder Cable with Connectors (For Incremental Encoder)	3 m	JZSP-CVP01-03-E	JZSP-CVP11-03-E	 <p>SERVOPACK End Encoder End</p> <p>Connector (Crimped) (Molex Japan LLC) CM10-SP10S-□-D (DDK Ltd.)</p>	(1)
	5 m	JZSP-CVP01-05-E	JZSP-CVP11-05-E		
	10 m	JZSP-CVP01-10-E	JZSP-CVP11-10-E		
	15 m	JZSP-CVP01-15-E	JZSP-CVP11-15-E		
	20 m	JZSP-CVP01-20-E	JZSP-CVP11-20-E		
	3 m	JZSP-CVP02-03-E	JZSP-CVP12-03-E	 <p>SERVOPACK End Encoder End</p> <p>Connector (Crimped) (Molex Japan LLC) CM10-AP10S-□-D (DDK Ltd.)</p>	
	5 m	JZSP-CVP02-05-E	JZSP-CVP12-05-E		
	10 m	JZSP-CVP02-10-E	JZSP-CVP12-10-E		
	15 m	JZSP-CVP02-15-E	JZSP-CVP12-15-E		
	20 m	JZSP-CVP02-20-E	JZSP-CVP12-20-E		
Encoder Cable with Connectors (For Absolute Encoder, with a Battery Case)	3 m	JZSP-CVP06-03-E	JZSP-CVP26-03-E	 <p>SERVOPACK End Encoder End</p> <p>Connector (Crimped)(Molex Japan LLC) CM10-SP10S-□-D (DDK Ltd.)</p>	(2)
	5 m	JZSP-CVP06-05-E	JZSP-CVP26-05-E		
	10 m	JZSP-CVP06-10-E	JZSP-CVP26-10-E		
	15 m	JZSP-CVP06-15-E	JZSP-CVP26-15-E		
	20 m	JZSP-CVP06-20-E	JZSP-CVP26-20-E		
	3 m	JZSP-CVP07-03-E	JZSP-CVP27-03-E	 <p>SERVOPACK End Encoder End</p> <p>Connector (Crimped)(Molex Japan LLC) CM10-AP10S-□-D (DDK Ltd.)</p>	
	5 m	JZSP-CVP07-05-E	JZSP-CVP27-05-E		
	10 m	JZSP-CVP07-10-E	JZSP-CVP27-10-E		
15 m	JZSP-CVP07-15-E	JZSP-CVP27-15-E			
20 m	JZSP-CVP07-20-E	JZSP-CVP27-20-E			
SERVOPACK-end Connector Kit		JZSP-CMP9-1-E		<p>Soldered</p>  <p>(Molex Japan LLC)</p>	(3)
Encoder-end Connectors for Protective Structure IP67 Straight Plug	JZSP-CVP9-1-E	<p>Connector Specifications</p> <p>Plug: CM10-SP10S-M-D</p> <p>Electrical Contact: (Crimped)*2</p> <p>CM10-#22SC(C4)-100</p> <p>(Applicable Cable Diameter: 6.0 dia. to 9.0 dia.)</p>	 <p>+ Electrical Contact</p> <p>(DDK Ltd.)</p>	-	
	JZSP-CVP9-3-E	<p>Connector Specifications</p> <p>Plug: CM10-SP10S-M-D</p> <p>Electrical Contact: (Soldered)</p> <p>CM10-#22SC(S1)-100</p> <p>(Applicable Cable Diameter: 6.0 dia. to 9.0 dia.)</p>			
Encoder-end Connectors for Protective Structure IP67 L-shaped Plug	JZSP-CVP9-2-E	<p>Connector Specifications</p> <p>Plug: CM10-AP10S-M-D</p> <p>Electrical Contact: (Crimped)*2</p> <p>CM10-#22SC(C4)-100</p> <p>(Applicable Cable Diameter: 6.0 dia. to 9.0 dia.)</p>	 <p>+ Electrical Contact</p> <p>(DDK Ltd.)</p>	-	
	JZSP-CVP9-4-E	<p>Connector Specifications</p> <p>Plug: CM10-AP10S-M-D</p> <p>Electrical Contact: (Soldered)</p> <p>CM10-#22SC(S1)-100</p> <p>(Applicable Cable Diameter: 6.0 dia. to 9.0 dia.)</p>			
Cables	3 m	JZSP-CMP09-03-E	JZSP-CSP39-03-E		(4)
	5 m	JZSP-CMP09-05-E	JZSP-CSP39-05-E		
	10 m	JZSP-CMP09-10-E	JZSP-CSP39-10-E		
	15 m	JZSP-CMP09-15-E	JZSP-CSP39-15-E		
	20 m	JZSP-CMP09-20-E	JZSP-CSP39-20-E		

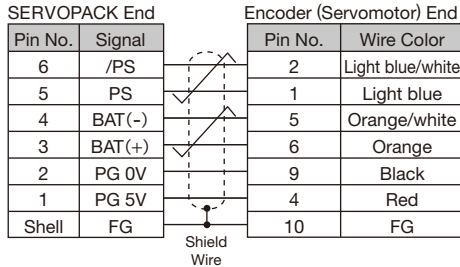
*1: Use flexible cables for movable sections such as robot arms.

*2: A crimp tool (357J-52667T) is required.

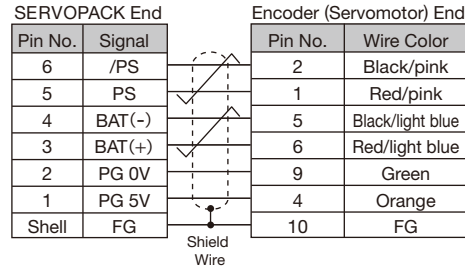
Selecting Cables

(1) Wiring Specifications for Cable with Connectors (For incremental encoder)

· Standard Type

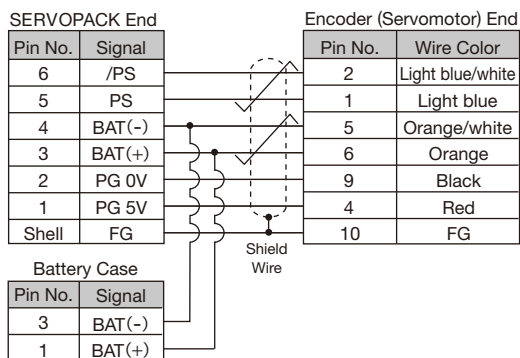


· Flexible Type

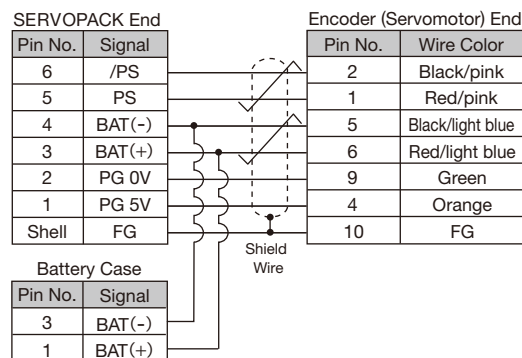


(2) Wiring Specifications for Cable with Connectors (For absolute encoder, with a battery case)

· Standard Type



· Flexible Type



(3) SERVOPACK-end Connector Kit Specifications

Items	Specifications
Order No.	JZSP-CMP9-1-E
Manufacturer	Molex Japan LLC
Connector Model (For standard)	55100-0670 (soldered)
External Dimensions (Units: mm)	

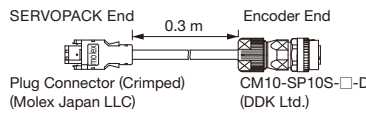
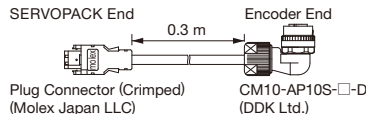
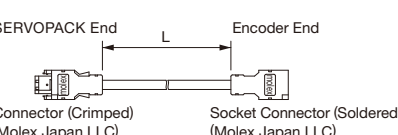
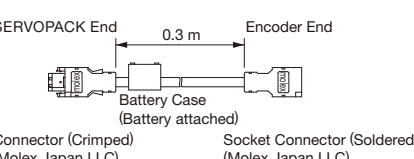

(4) Cable Specifications

Items	Standard Type	Flexible Type
Order No.*	JZSP-CMP09-□□-E	JZSP-CSP39-□□-E
Cable Length	20 m max.	
Specifications	UL20276 (Rating temperature: 80°C) AWG22×2C+AWG24×2P AWG22 (0.33 mm ²) Outer diameter of insulating sheath: 1.15 dia. AWG24 (0.20 mm ²) Outer diameter of insulating sheath: 1.09 dia.	UL20276 (Rating temperature: 80°C) AWG22×2C+AWG24×2P AWG22 (0.33 mm ²) Outer diameter of insulating sheath: 1.35 dia. AWG24 (0.20 mm ²) Outer diameter of insulating sheath: 1.21 dia.
Finished Dimensions	6.5 dia.	6.8 dia.
Internal Configuration and Lead Color		
Yaskawa Standards Specifications (Standard Length)	Cable length: 3 m, 5 m, 10 m, 15 m, 20 m	

*: Specify the cable length in □□ of order no.
Example: JZSP-CMP09-05-E (5 m)

Selecting Cables

● Encoder Cables (For extending from 30 to 50 m)

Name	Length	Order No.	Specifications	Details
① Encoder-end Cables (For incremental and absolute encoder)	0.3 m	JZSP-CVP01-E	 <p>SERVOPACK End → 0.3 m → Encoder End</p> <p>Plug Connector (Crimped) (Molex Japan LLC)</p> <p>CM10-SP10S-□-D (DDK Ltd.)</p>	(1)
		JZSP-CVP02-E	 <p>SERVOPACK End → 0.3 m → Encoder End</p> <p>Plug Connector (Crimped) (Molex Japan LLC)</p> <p>CM10-AP10S-□-D (DDK Ltd.)</p>	
② Cable with Connectors (For incremental and absolute encoder)	30 m	JZSP-UCMP00-30-E	 <p>SERVOPACK End → L → Encoder End</p> <p>Connector (Crimped) (Molex Japan LLC)</p> <p>Socket Connector (Soldered) (Molex Japan LLC)</p>	(2)
	40 m	JZSP-UCMP00-40-E		
	50 m	JZSP-UCMP00-50-E		
③ Cable with a Battery Case (Required when an absolute encoder is used.*)	0.3 m	JZSP-CSP12-E	 <p>SERVOPACK End → 0.3 m → Encoder End</p> <p>Connector (Crimped) (Molex Japan LLC)</p> <p>Battery Case (Battery attached)</p> <p>Socket Connector (Soldered) (Molex Japan LLC)</p>	(3)
④ Cables	30 m	JZSP-CMP19-30-E		(4)
	40 m	JZSP-CMP19-40-E		
	50 m	JZSP-CMP19-50-E		

*: Not required when connecting a battery to the host controller.

Selecting Cables

(1) Wiring Specifications for Encoder-end Cable (For incremental and absolute encoder)

SERVOPACK End		Encoder (Servomotor) End	
Pin No.	Signal	Pin No.	Wire Color
6	/PS	2	Light blue/white
5	PS	1	Light blue
4	BAT(-)	5	Orange/white
3	BAT(+)	6	Orange
2	PG 0V	9	Black
1	PG 5V	4	Red
Shell	FG	10	FG

Note: The signals BAT(+) and BAT(-) are used when using an absolute encoder.

(2) Wiring Specifications for Cable with Connectors (For incremental and absolute encoder)

SERVOPACK End		Encoder (Servomotor) End	
Pin No.	Signal	Pin No.	Wire Color
6	/PS	6	Light blue/white
5	PS	5	Light blue
4	BAT (-)	4	Orange/white
3	BAT (+)	3	Orange
2	PG 0V	2	Black
1	PG 5V	1	Red
Shell	FG	Shell	FG

(3) Wiring Specifications for Cable with a Battery Case (For absolute encoder)

SERVOPACK End		Encoder (Servomotor) End	
Pin No.	Signal	Pin No.	Wire Color
6	/PS	6	Light blue/white
5	PS	5	Light blue
4	BAT (-)	4	Orange/white
3	BAT (+)	3	Orange
2	PG 0V	2	Black
1	PG 5V	1	Red
Shell	FG	Shell	FG

Battery Case	
Pin No.	Signal
3	BAT (-)
1	BAT (+)

(4) Cable Specifications

Item	Standard Type
Order No.*	JZSP-CMP19-□□-E
Cable Length	50 m max.
Specifications	UL20276 (Rating temperature: 80°C) AWG16×2C+AWG26×2P AWG16 (1.31 mm ²) Outer diameter of insulating sheath: 2.0 dia. AWG26 (0.13 mm ²) Outer diameter of insulating sheath: 0.91 dia.
Finished Dimensions	6.8 dia.
Internal Configuration and Lead Colors	
Yaskawa Standard Specifications (Standard Length)	Cable length: 30 m, 40 m, 50 m

*: Specify the cable length in □□ of order no.
Example: JZSP-CMP19-30-E (30 m)

Rotary Servomotors

SGMSV



Model Designations

SGMSV - 10 A D A 2 1

Σ-V Series Servomotor SGMSV
1st+2nd digits
3rd digit
4th digit
5th digit
6th digit
7th digit

1st+2nd digits Rated Output

Code	Specifications
10	1.0 kW
15	1.5 kW
20	2.0 kW
25	2.5 kW
30	3.0 kW
40	4.0 kW
50	5.0 kW
70	7.0 kW*

*: Available only for 200-VAC models.

3rd digit Power Supply Voltage

Code	Specifications
A	200 VAC
D	400 VAC

4th digit Serial Encoder

Code	Specifications
3	20-bit absolute (standard)
D	20-bit incremental (standard)

5th digit Design Revision Order

Code	Specifications
A	Standard

6th digit Shaft End

Code	Specifications
2	Straight without key (standard)
6	Straight with key and tap (optional)

7th digit Options

Code	Specifications
1	Without options
B	With holding brake (90 VDC)
C	With holding brake (24 VDC)
D	With oil seal and holding brake (90 VDC)
E	With oil seal and holding brake (24 VDC)
S	With oil seal

Features

- Super high power
- Wide selection: 1.0 kW to 7.0 kW capacity, holding brake option
- Mounted serial encoder: 20 bits, high resolution
- Protective structure : IP67 (Not including the IP22 compliant enclosure for 7.0 kW motor)

Application Examples

- Chip mounters
- PCB drilling stations
- Machine tool feeders

Configurations of connectors for the main circuit



SGMSV-10 to -70

The connectors for these models are round. The connectors specified by Yaskawa are required. Note that the connectors vary depending on the operation environment of servomotors.

Two types of connectors are available.

- Standard connectors

For details, refer to page 126 to 128.

- Protective structure IP67 and European Safety Standards compliant connectors

For details, refer to page 129 and 130.

Note: Connectors are not provided by Yaskawa.

Ratings and Specifications

Time Rating: Continuous
Vibration Class: V15
Insulation Resistance: 500 VDC, 10 MΩ min.
Ambient Temperature: 0 to 40°C
Excitation: Permanent magnet
Mounting: Flange-mounted
Thermal Class: F

Withstand Voltage: 1500 VAC for one minute (200-V class)
 1800 VAC for one minute (400-V class)

Enclosure: Totally enclosed, self-cooled, IP67
 (except for shaft opening)

Note: IP22 for SGMSV-70 servomotors.

Ambient Humidity: 20% to 80% (no condensation)

Drive Method: Direct drive

Rotation Direction: Counterclockwise (CCW) with forward run
 reference when viewed from the load side

200-V Class

Servomotor Model: SGMSV-□□□		10A	15A	20A	25A	30A	40A	50A	70A
Rated Output*	kW	1.0	1.5	2.0	2.5	3.0	4.0	5.0	7.0
Rated Torque*	N·m	3.18	4.90	6.36	7.96	9.80	12.6	15.8	22.3
Instantaneous Peak Torque*	N·m	9.54	14.7	19.1	23.9	29.4	37.8	47.6	54
Rated Current*	Arms	5.7	9.3	12.1	13.8	17.9	25.4	27.6	38.3
Instantaneous Max. Current*	Arms	17	28	42	44.5	56	77	84	105
Rated Speed*	min ⁻¹	3000							
Max. Speed*	min ⁻¹	6000	5000						
Torque Constant	N·m/Arms	0.636	0.590	0.561	0.610	0.582	0.519	0.604	0.604
Rotor Moment of Inertia	×10 ⁻⁴ kg·m ²	1.74 (1.99)	2.00 (2.25)	2.47 (2.72)	3.19 (3.44)	7.00 (9.2)	9.60 (11.8)	12.3 (14.5)	12.3
Rated Power Rate*	kW/s	58 (51)	120 (107)	164 (149)	199 (184)	137 (104)	165 (135)	203 (172)	404
Rated Angular Acceleration*	rad/s ²	18300 (16000)	24500 (21800)	25700 (23400)	25000 (23100)	14000 (10700)	13100 (10700)	12800 (10900)	18100
Applicable SERVOPACK	SGDV-□□□□	7R6A	120A	180A	200A	200A	330A	330A	550A

*: These items and torque-motor speed characteristics quoted in combination with a SERVOPACK are at an armature winding temperature of 20°C.
 Notes: 1 The values in parentheses are for servomotors with holding brakes.

2 The above specifications show the values under the cooling condition when the following heat sinks are mounted on the servomotors.

SGMSV-10A/-15A/-20A/-25A : 300 mm×300 mm×12 mm (aluminum)

SGMSV-30A/-40A/-50A/-70A : 400 mm×400 mm×20 mm (aluminum)

400-V Class

Servomotor Model: SGMSV-□□□		10D	15D	20D	25D	30D	40D	50D
Rated Output*	kW	1.0	1.5	2.0	2.5	3.0	4.0	5.0
Rated Torque*	N·m	3.18	4.9	6.36	7.96	9.8	12.6	15.8
Instantaneous Peak Torque*	N·m	9.54	14.7	19.1	23.9	29.4	37.8	47.6
Rated Current*	Arms	2.8	4.7	6.1	7.4	8.9	12.5	13.8
Instantaneous Max. Current*	Arms	8.5	14	20	25	28	38	42
Rated Speed*	min ⁻¹	3000						
Max. Speed*	min ⁻¹	6000	5000					
Torque Constant	N·m/Arms	1.27	1.23	1.18	1.15	1.16	1.06	1.21
Rotor Moment of Inertia	×10 ⁻⁴ kg·m ²	1.74 (1.99)	2.00 (2.25)	2.47 (2.72)	3.19 (3.44)	7.00 (9.2)	9.60 (11.8)	12.3 (14.5)
Rated Power Rate*	kW/s	58 (51)	120 (107)	164 (149)	199 (184)	137 (104)	165 (135)	203 (172)
Rated Angular Acceleration*	rad/s ²	18300 (16000)	24500 (21800)	25700 (23400)	25000 (23100)	14000 (10700)	13100 (10700)	12800 (10900)
Applicable SERVOPACK	SGDV-□□□□	3R5D	5R4D	8R4D	120D	120D	170D	170D

*: These items and torque-motor speed characteristics quoted in combination with a SERVOPACK are at an armature winding temperature of 20°C.
 Notes: 1 The values in parentheses are for servomotors with holding brakes.

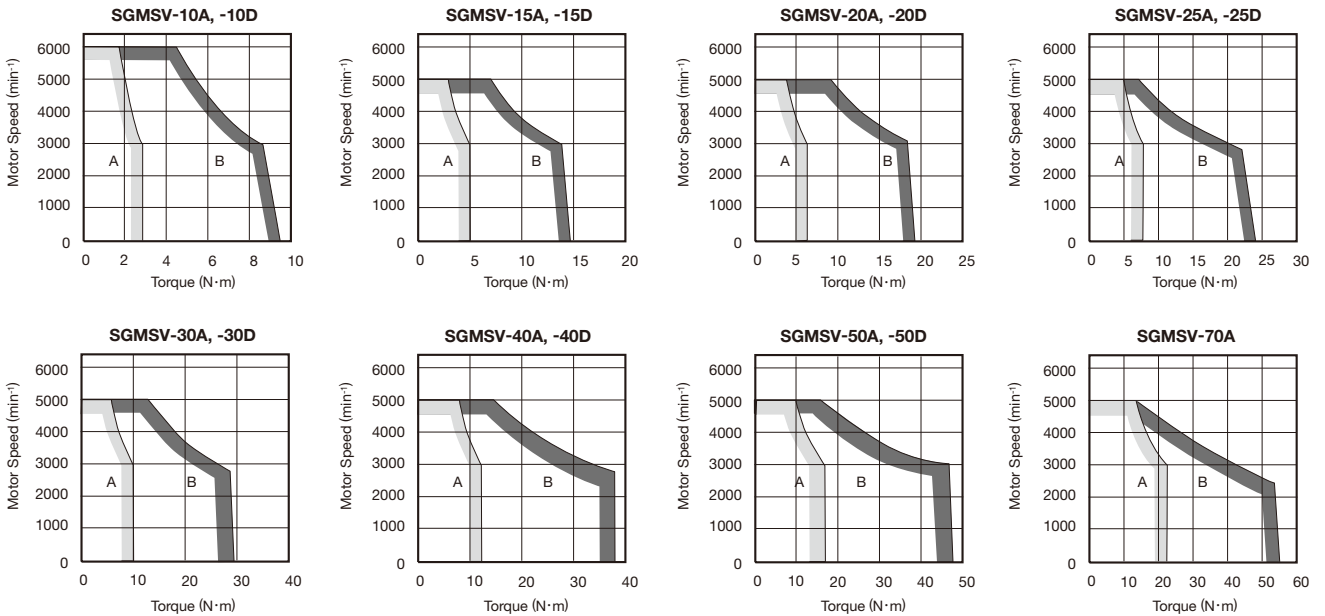
2 The above specifications show the values under the cooling condition when the following heat sinks are mounted on the servomotors.

SGMSV-10D/-15D/-20D/-25D : 300 mm×300 mm×12 mm (aluminum)

SGMSV-30D/-40D/-50D : 400 mm×400 mm×20 mm (aluminum)

Ratings and Specifications

● Torque-Motor Speed Characteristics (200 V/400 V) A: Continuous Duty Zone B: Intermittent Duty Zone



Notes: 1 When the effective torque is within the rated torque, the servomotor can be used within the intermittent duty zone.
2 When the main circuit cable length exceeds 20 m, note that the intermittent duty zone of the Torque-Motor Speed Characteristics will shrink as the line-to-line voltage drops.

● Holding Brake Electrical Specifications

Servomotor Model	Servomotor Rated Output kW	Holding Brake Specifications				
		Holding Torque N·m	Rated Voltage 24 VDC		Rated Voltage 90 VDC	
			Capacity W	Rated Current A (at 20°C)	Capacity W	Rated Current A (at 20°C)
SGMSV-10	1.0	7.84	12	0.5	12	0.13
SGMSV-15	1.5	7.84	12	0.5	12	0.13
SGMSV-20	2.0	7.84	12	0.5	12	0.13
SGMSV-25	2.5	10	12	0.5	12	0.13
SGMSV-30	3.0	20	10	0.41	10	0.11
SGMSV-40	4.0	20	10	0.41	10	0.11
SGMSV-50	5.0	20	10	0.41	10	0.11

Notes: 1 The holding brake is only used to hold the load and cannot be used to stop the servomotor.
2 The holding brake open time and holding brake operation time vary depending on which discharge circuit is used. Make sure holding brake open time and holding brake operation time are correct for your servomotor.
3 A 24-VDC power supply is not included.
4 For information on a 90-VDC power supply, refer to page 373.

SGMSV

Ratings and Specifications

● Allowable Load Moment of Inertia at the Motor Shaft

The rotor moment of inertia ratio is the value for a servomotor without a gear and a holding brake.

Servomotor Model	Servomotor Rated Output	Allowable Load Moment of Inertia (Rotor Moment of Inertia Ratio)
SGMSV-10 to -70	1.0 to 7.0 kW	5 times

● Load Moment of Inertia

The larger the load moment of inertia, the worse the movement response.

The allowable load moment of inertia (J_L) depends on the motor capacity, as shown above. This value is provided strictly as a guideline and results may vary depending on servomotor drive conditions.

Use the AC servo drive capacity selection program SigmaSize+ to check the operation conditions.

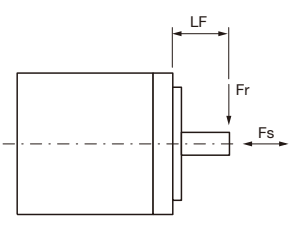
The program can be downloaded for free from our web site (<http://www.e-mechatronics.com/>).

An overvoltage alarm (A.400) is likely to occur during deceleration if the load moment of inertia exceeds the allowable load moment of inertia. SERVOPACKs with a built-in regenerative resistor may generate a regenerative overload alarm (A.320). Take one of the following steps if this occurs.

- Reduce the torque limit.
- Reduce the deceleration rate.
- Reduce the maximum speed.
- Install an external regenerative resistor if the alarm cannot be cleared using the steps above. Refer to *Regenerative Resistors* on page 375.

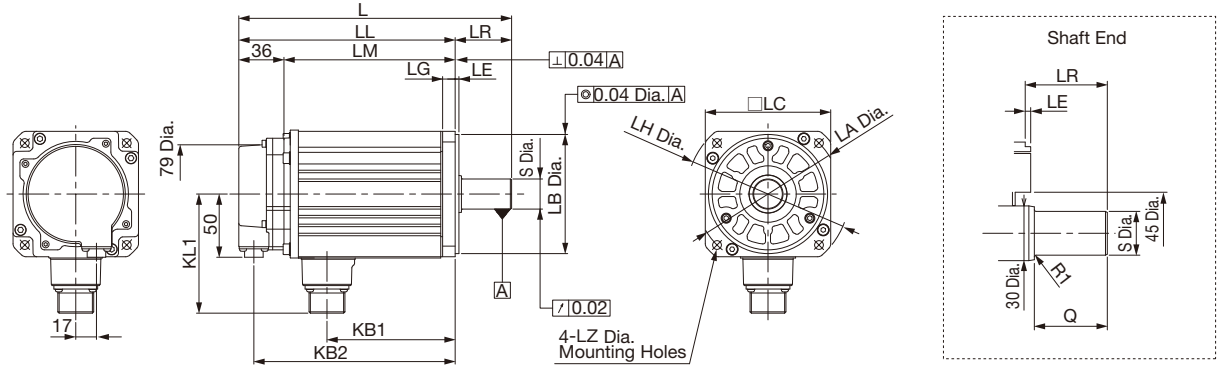
● Allowable Radial and Thrust Loads

Design the mechanical system so thrust and radial loads applied to the servomotor shaft end during operation fall within the ranges shown in the table.

Servomotor Model	Allowable Radial Load (F_r) N	Allowable Thrust Load (F_s) N	LF mm	Reference Diagram
SGMSV-	10□□A21	686	45	
	15□□A21			
	20□□A21			
	25□□A21	980	63	
	30□□A21			
	40□□A21			
	50□□A21			
70□□A21	1176	392		

External Dimensions Units: mm

● Without Holding Brakes
(1) 1.0 to 5.0 kW

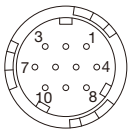


Note: For the specifications of the other shaft ends, refer to page 124.

Model SGMSV-	L	LL	LM	LR	KB1	KB2	KL1	Flange Face Dimensions							Shaft End Dimensions		Approx. Mass kg	
								LA	LB	LC	LE	LF	LG	LH	LZ	S		Q
10□A21	192	147	111	45	76	135	96	115	95 ⁰ _{-0.035}	100	3	3	10	130	7	24 ⁰ _{-0.013}	40	4.1
15□A21	202	157	121	45	86	145	96	115	95 ⁰ _{-0.035}	100	3	3	10	130	7	24 ⁰ _{-0.013}	40	4.6
20□A21	218	173	137	45	102	161	96	115	95 ⁰ _{-0.035}	100	3	3	10	130	7	24 ⁰ _{-0.013}	40	5.4
25□A21	241	196	160	45	125	184	96	115	95 ⁰ _{-0.035}	100	3	3	10	130	7	24 ⁰ _{-0.013}	40	6.8
30□A21	259	196	160	63	124	184	114	145	110 ⁰ _{-0.035}	130	6	6	12	165	9	28 ⁰ _{-0.013}	55	10.5
40□A21	296	233	197	63	161	221	114	145	110 ⁰ _{-0.035}	130	6	6	12	165	9	28 ⁰ _{-0.013}	55	13.5
50□A21	336	273	237	63	201	261	114	145	110 ⁰ _{-0.035}	130	6	6	12	165	9	28 ⁰ _{-0.013}	55	16.5

Note: Models with oil seals are of the same configuration.

• Cable Specifications for Encoder-end Connector
(20-bit Encoder)



Receptacle: CM10-R10P-D
Applicable plug (To be provided by the customer)
Plug: CM10-AP10S-□-D (L-shaped)
CM10-SP10S-□-D (Straight)
(Boxes □ indicate a value that varies, depending on cable size.)

Manufacturer : DDK Ltd.

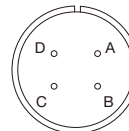
With an Absolute Encoder

1	PS	6	BAT (+)
2	/PS	7	-
3	-	8	-
4	PG 5V	9	PG 0V
5	BAT (-)	10	FG (Frame ground)

With an Incremental Encoder

1	PS	6	-
2	/PS	7	-
3	-	8	-
4	PG 5V	9	PG 0V
5	-	10	FG (Frame ground)

• Cable Specifications for Servomotor-end Connector



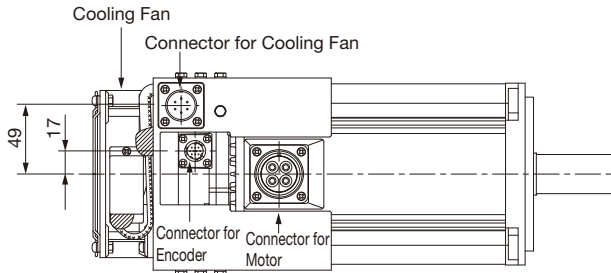
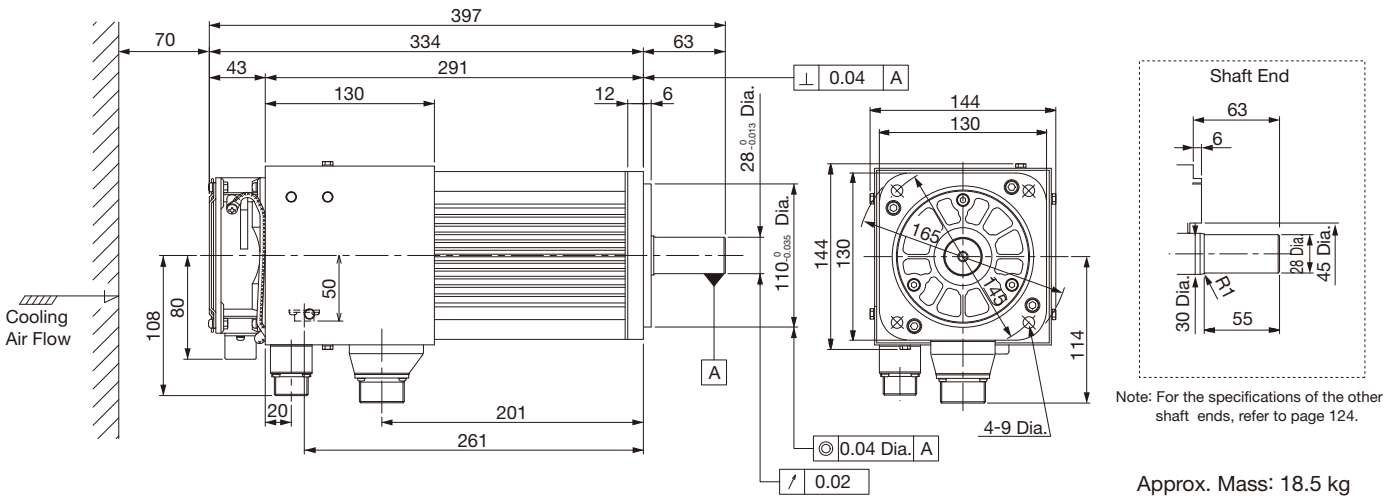
A	Phase U
B	Phase V
C	Phase W
D	FG (Frame ground)

• SGMSV-10 to -25
Manufacturer : DDK Ltd.
• SGMSV-30 to -50
Manufacturer : Japan Aviation
Electronics
Industry, Ltd.

External Dimensions Units: mm

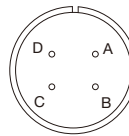
(2) 7.0 kW (only for 200 V servomotors)

Note: Leave a minimum space of 70 mm around the servomotor to allow for a sufficient amount of cooling air.



<ul style="list-style-type: none"> Specifications of Cooling Fan Single-phase 220 V 50/60 Hz 17/15 W 0.11/0.09 A 	<ul style="list-style-type: none"> Specifications of rotation error detector Contact Capacity: <ul style="list-style-type: none"> Max. allowable voltage: 350 V (AC, DC) Max. allowable current: 120 mA (AC, DC) Max. controllable power: 360 mW Alarm Contact: <ul style="list-style-type: none"> ON at normal fan rotation. OFF at 1680±100 min⁻¹ or less. (OFF during 3 seconds at start-up)
---	---

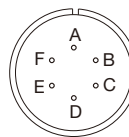
· Cable Specifications for Servomotor-end Connector



A	Phase U
B	Phase V
C	Phase W
D	FG (Frame ground)

Manufacturer: Japan Aviation Electronics Industry, Ltd.

· Cable Specifications for Fan-end Connector

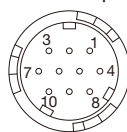


Receptacle: MS3102A14S-6P
Applicable plug: MS3108B14S-6S
Cable clamp: MS3057-6A

Note: Servomotor-end connectors (receptacles) are RoHS-compliant. Contact the respective connector manufacturers for RoHS-compliant cable-end connectors.

A	Fan motor
B	Fan motor
C	-
D	Alarm terminal
E	Alarm terminal
F	FG (Frame ground)

· Cable Specifications for Encoder-end Connector (20-bit Encoder)



Receptacle: CM10-R10P-D
Applicable plug (To be provided by the customer)
Plug: CM10-SP10S-□-D (Straight)
(Boxes (□) indicate a value that varies, depending on cable size.)
Use straight plugs to avoid interference with the fan cover.
Manufacturer: DDK Ltd.

With an Absolute Encoder

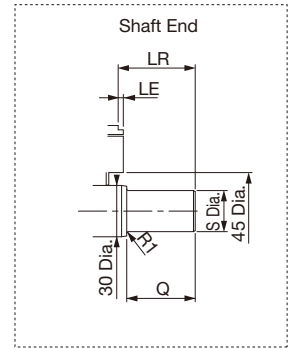
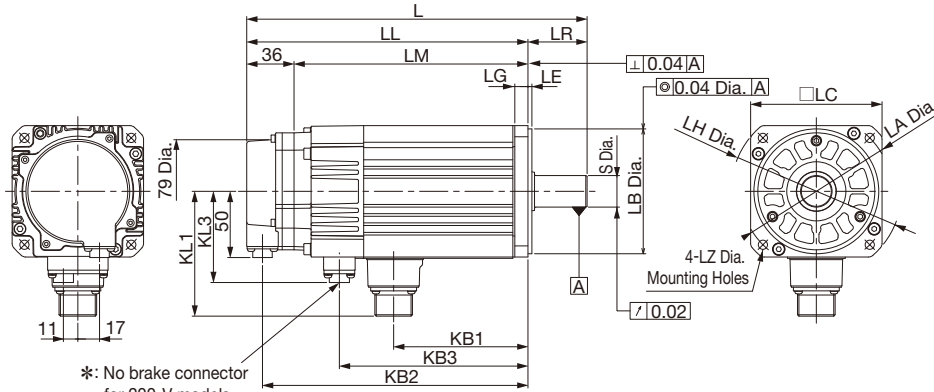
1	PS	6	BAT (+)
2	/PS	7	-
3	-	8	-
4	PG 5V	9	PG 0V
5	BAT (-)	10	FG (Frame ground)

With an Incremental Encoder

1	PS	6	-
2	/PS	7	-
3	-	8	-
4	PG 5V	9	PG 0V
5	-	10	FG (Frame ground)

External Dimensions Units: mm

● With Holding Brakes
(1) 1.0 to 5.0 kW

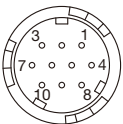


Note: For the specifications of the other shaft ends, refer to page 124.

Model SGMSV-	L	LL	LM	LR	KB1		KB2	KB3*		KL1	Flange Face Dimensions			Shaft End Dimensions		Approx. Mass kg						
					200V	400V		200V	400V		LA	LB	LC	LE	LF		LG	LH	LZ	S	Q	
10□□A2□	233	188	152	45	67	76	176	118	102	96	69	115	95 ⁰ _{-0.035}	100	3	3	10	130	7	24 ⁰ _{-0.013}	40	5.5
15□□A2□	243	198	162	45	77	86	186	128	102	96	69	115	95 ⁰ _{-0.035}	100	3	3	10	130	7	24 ⁰ _{-0.013}	40	6
20□□A2□	259	214	178	45	93	102	202	144	102	96	69	115	95 ⁰ _{-0.035}	100	3	3	10	130	7	24 ⁰ _{-0.013}	40	6.8
25□□A2□	292	247	211	45	116	125	225	177	102	96	69	115	95 ⁰ _{-0.035}	100	3	3	10	130	7	24 ⁰ _{-0.013}	40	8.7
30□□A2□	295	232	196	63	114	124	220	176	119	114	81	145	110 ⁰ _{-0.035}	130	6	6	12	165	9	28 ⁰ _{-0.013}	55	13
40□□A2□	332	269	233	63	151	161	257	213	119	114	81	145	110 ⁰ _{-0.035}	130	6	6	12	165	9	28 ⁰ _{-0.013}	55	16
50□□A2□	372	309	273	63	191	201	297	253	119	114	81	145	110 ⁰ _{-0.035}	130	6	6	12	165	9	28 ⁰ _{-0.013}	55	19

*: No brake connector for 200-V models (there are brake terminals on the servomotor-end connectors).
Note: Models with oil seals are of the same configuration.

• Cable Specifications for Encoder-end Connector
(20-bit Encoder)



Receptacle: CM10-R10P-D
Applicable plug (To be provided by the customer)
Plug: CM10-AP10S-□-D (L-shaped)
CM10-SP10S-□-D (Straight)
(Boxes (□) indicate a value that varies, depending on cable size.)
Manufacturer: DDK Ltd.

With an Absolute Encoder

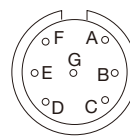
1	PS	6	BAT (+)
2	/PS	7	-
3	-	8	-
4	PG 5V	9	PG 0V
5	BAT (-)	10	FG (Frame ground)

With an Incremental Encoder

1	PS	6	-
2	/PS	7	-
3	-	8	-
4	PG 5V	9	PG 0V
5	-	10	FG (Frame ground)

200-V Class

• Cable Specifications for Servomotor-end Connector



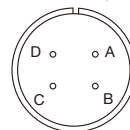
A	Phase U
B	Phase V
C	Phase W
D	FG (Frame ground)
E	Brake terminal
F	Brake terminal
G	-

Manufacturer: Japan Aviation Electronics Industry, Ltd.

Note: No polarity for connection to the brake terminals

400-V Class

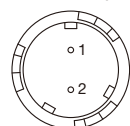
• Cable Specifications for Servomotor-end Connector



A	Phase U
B	Phase V
C	Phase W
D	FG (Frame ground)

- SGMSV-10 to -25
Manufacturer: DDK Ltd.
- SGMSV-30 to -50
Manufacturer: Japan Aviation Electronics Industry, Ltd.

• Cable Specifications for Brake-end Connector



Receptacle: CM10-R2P-D
Applicable plug (To be provided by the customer)
Plug: CM10-AP2S-□-D (L-shaped)
CM10-SP2S-□-D (Straight)
(Boxes (□) indicate a value that varies, depending on cable size.)
Manufacturer: DDK Ltd.

Brake terminal
Brake terminal

Note: No polarity for connection to the brake terminals

External Dimensions Units: mm

● Shaft End

SGMSV - □□□□□□□□

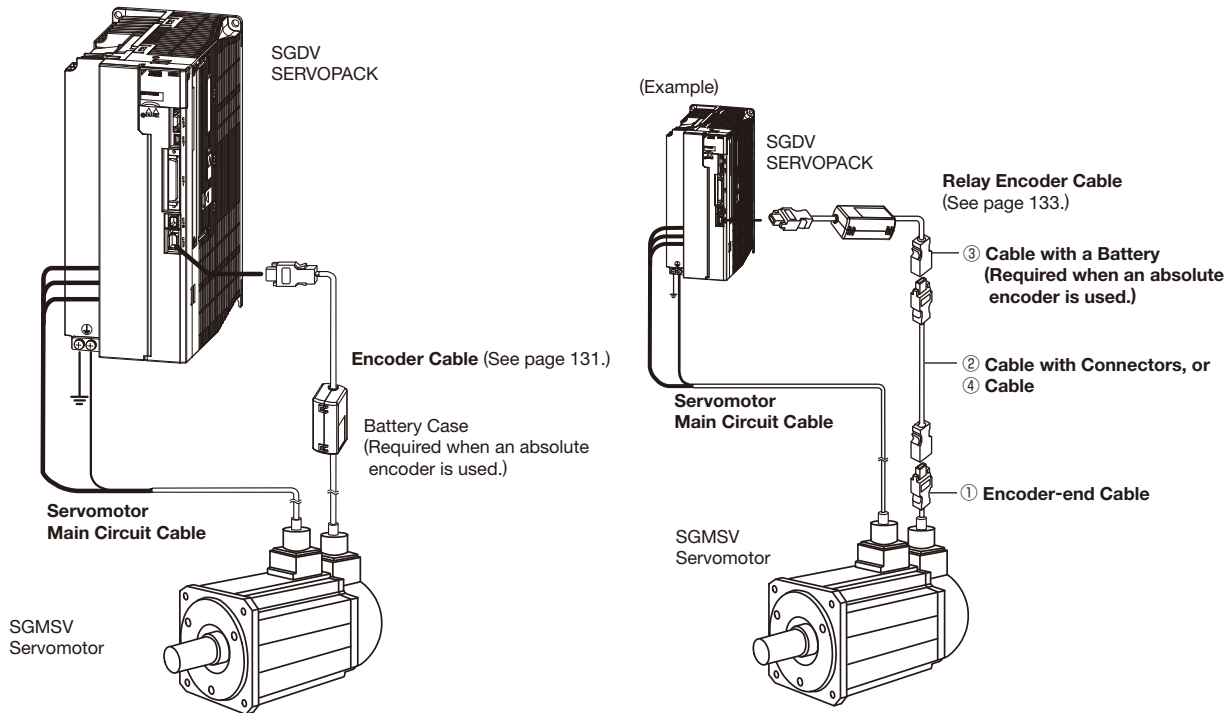
Code	Specifications	Remarks
2	Straight without key	Standard
6	Straight with key and tap for one location (Key slot is JIS B1301-1996 fastening type)	Optional

Code	Specifications	Shaft End	Model SGMSV-								
			10	15	20	25	30	40	50	70	
2	Straight without Key		LR	45				63			
			Q	40				55			
			S	24 ⁰ _{-0.013}				28 ⁰ _{-0.013}			
6	Straight with Key and Tap		LR	45				63			
			Q	40				55			
			QK	32				50			
			S	24 ⁰ _{-0.013}				28 ⁰ _{-0.013}			
			W	8							
			T	7							
			U	4							
P	M8 Screw Depth16										

Selecting Cables

● Cables Connections

- Standard Wiring (Max. encoder cable length: 20 m)
- Encoder Cable Extension from 30 to 50 m (See page 133.)



⚠ CAUTION

- Separate the servomotor main circuit cable wiring from the I/O signal cable and encoder cable at least 30 cm, and do not bundle or run them in the same duct.
- When the main circuit cable length exceeds 20 m, note that the intermittent duty zone of the *Torque-Motor Speed Characteristics* will shrink as the line-to-line voltage drops.

● Servomotor Main Circuit Cables

Customers must assemble the servomotor's main circuit cables and attach connectors to connect the SERVOPACKs and the SGMSV servomotors.

The connectors for these models are round. The connectors specified by Yaskawa are required. Note that the connectors vary depending on the operation environment of servomotors.

Two types of connectors are available.

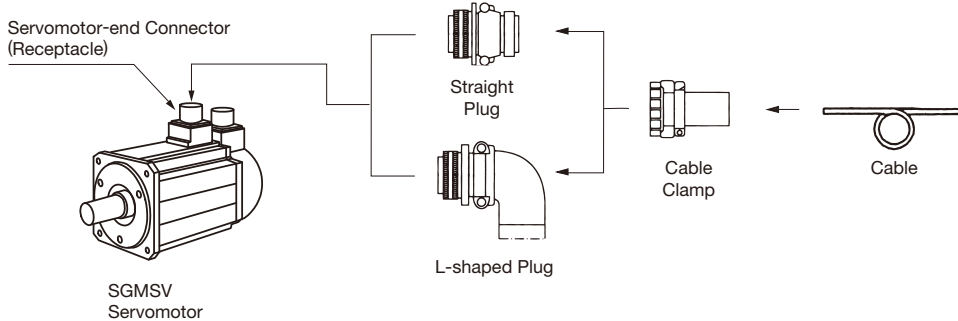
- Standard connectors
- Protective structure IP67 and European Safety Standards compliant connectors

Yaskawa does not specify which cables to use. Use appropriate cables for the connectors.

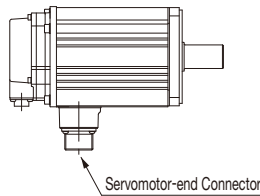
Selecting Cables

● Standard Connectors

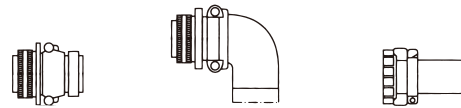
● Connector Configuration



(1) Without Holding Brakes



Servomotor-end Connector
For 1.0 to 7.0 kW

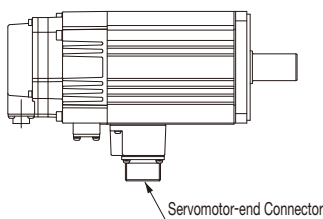


Capacity kW	Servomotor-end Connector (Receptacle)	Cable-end Connector (Not provided by Yaskawa)		
		Straight Plug	L-shaped Plug	Cable Clamp
1.0 to 2.5	CE05-2A18-10PD-D (MS3102A18-10P)	MS3106B18-10S	MS3108B18-10S	MS3057-10A
3.0 to 7.0	JL04HV-2E22-22PE-B-R (MS3102A22-22P)	MS3106B22-22S	MS3108B22-22S	MS3057-12A

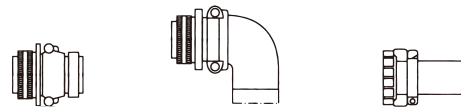
Note: 1 Servomotor-end connectors (receptacles) are RoHS-compliant. Contact the respective connector manufacturers for RoHS-compliant cable-end connectors.
2 Servomotor-end connectors (receptacles) can be used with MS plugs. For the model number of the MS receptacle, refer to the receptacle number in parentheses and select the appropriate plug.

(2) With Holding Brakes (200 V)

No brake connector for 200-V models (there are brake terminals on the servomotor-end connectors).



Servomotor-end Connector
For 1.0 to 5.0 kW

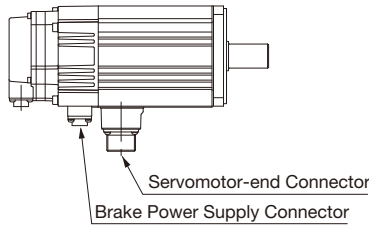


Capacity kW	Servomotor-end Connector (Receptacle)	Cable-end Connector (Not provided by Yaskawa)		
		Straight Plug	L-shaped Plug	Cable Clamp
1.0 to 2.5	JL04V-2E20-15PE-B-R (MS3102A20-15P)	MS3106B20-15S	MS3108B20-15S	MS3057-12A
3.0 to 5.0	JL04V-2E24-10PE-B-R (MS3102A24-10P)	MS3106B24-10S	MS3108B24-10S	MS3057-16A

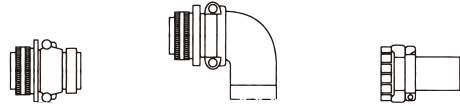
Note: 1 Servomotor-end connectors (receptacles) are RoHS-compliant. Contact the respective connector manufacturers for RoHS-compliant cable-end connectors.
2 Servomotor-end connectors (receptacles) can be used with MS plugs. For the model number of the MS receptacle, refer to the receptacle number in parentheses and select the appropriate plug.

Selecting Cables

(3) With Holding Brakes (400 V)



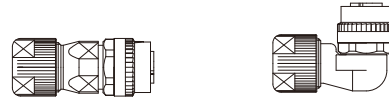
Servomotor-end Connector
For 1.0 to 5.0 kW



Capacity kW	Servomotor-end Connector (Receptacle)	Cable-end Connector (Not provided by Yaskawa)		
		Straight Plug	L-shaped Plug	Cable Clamp
1.0 to 2.5	CE05-2A18-10PD-D (MS3102A18-10P)	MS3106B18-10S	MS3108B18-10S	MS3057-10A
3.0 to 5.0	JL04HV-2E22-22PE-B-R (MS3102A22-22P)	MS3106B22-22S	MS3108B22-22S	MS3057-12A

Notes: 1 Servomotor-end connectors (receptacles) are RoHS-compliant. Contact the respective connector manufacturers for RoHS-compliant cable-end connectors.
2 Servomotor-end connectors (receptacles) can be used with MS plugs. For the model number of the MS receptacle, refer to the receptacle number in parentheses and select the appropriate plug.

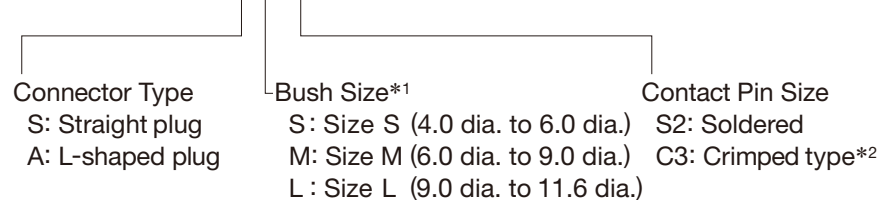
Brake Power Supply Connector
For 1.0 to 5.0 kW



Capacity kW	Servomotor-end Connector (Receptacle)	Cable-end Connector (Not provided by Yaskawa)			Manufacturer
		Straight Plug	L-shaped Plug		
1.0 to 5.0	CM10-R2P-D	CM10-SP2S-S-D Applicable Cable: 4.0 dia. to 6.0 dia.	CM10-AP2S-S-D Applicable Cable: 4.0 dia. to 6.0 dia.	DDK Ltd.	
		CM10-SP2S-M-D Applicable Cable: 6.0 dia. to 9.0 dia.	CM10-AP2S-M-D Applicable Cable: 6.0 dia. to 9.0 dia.		
		CM10-SP2S-L-D Applicable Cable: 9.0 dia. to 11.6 dia.	CM10-AP2S-L-D Applicable Cable: 9.0 dia. to 11.6 dia.		

To order a brake power supply connector kit (1.0 to 5.0 kW) with the order no. below, contact your Yaskawa representative.

J Z S P - C V B 9 - S M S2 - E

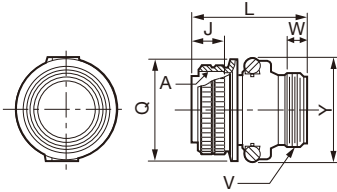


*1: A size-M connector kit is available as standard equipment.
*2: A crimp tool (model: 357J-50448T) by DDK Ltd. is required.

Selecting Cables

● Cable-end Connectors

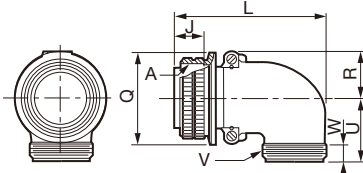
(1) MS3106B□□-□□S : Straight Plug



Units: mm

Shell Size	Joint Screw A	Length of Joint Portion J±0.12	Overall Length L max.	Outer Diameter of Joint Nut Q ^{+0.10} _{-0.38}	Cable Clamp Set Screw V	Effective Screw Length W min.	Maximum Width Y max.
18	1-1/8-18UNEF	18.26	52.37	34.13	1-20UNEF	9.53	42
20	1-1/4-18UNEF	18.26	55.57	37.28	1-3/16-18UNEF	9.53	47
22	1-3/8-18UNEF	18.26	55.57	40.48	1-3/16-18UNEF	9.53	50
24	1-1/2-18UNEF	18.26	58.72	43.63	1-7/16-18UNEF	9.53	53

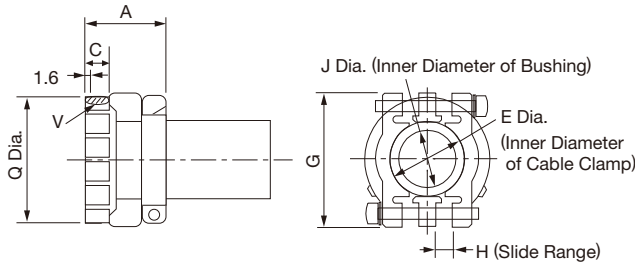
(2) MS3108B□□-□□S : L-shaped Plug



Units: mm

Shell Size	Joint Screw A	Length of Joint Portion J±0.12	Overall Length L max.	Outer Diameter of Joint Nut Q ^{+0.10} _{-0.38}	R ±0.5	U ±0.5	Cable Clamp Set Screw V	Effective Screw Length W min.
18	1-1/8-18UNEF	18.26	68.27	34.13	20.5	30.2	1-20UNEF	9.53
20	1-1/4-18UNEF	18.26	76.98	37.28	22.5	33.3	1-3/16-18UNEF	9.53
22	1-3/8-18UNEF	18.26	76.98	40.48	24.1	33.3	1-3/16-18UNEF	9.53
24	1-1/2-18UNEF	18.26	86.51	43.63	25.6	36.5	1-7/16-18UNEF	9.53

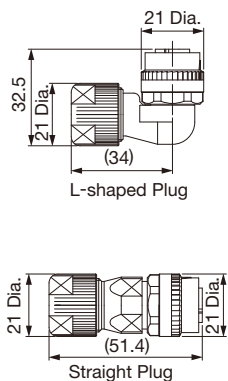
(3) MS3057-□□A : Cable Clamp with Rubber Bushing



Units: mm

Cable Clamp Type	Applicable Connector Shell Size	Overall Length A±0.7	Effective Screw Length C	E Diameter	G±0.7	H	J Diameter	Set Screw V	Outer Diameter Q±0.7 Dia.	Attached Bushing
MS3057-10A	18	23.8	10.3	15.9	31.7	3.2	14.3	1-20UNEF	30.1	AN3420-10
MS3057-12A	20, 22	23.8	10.3	19	37.3	4	15.9	1-3/16-18UNEF	35.0	AN3420-12
MS3057-16A	24	26.2	10.3	23.8	42.9	4.8	19.1	1-7/16-18UNEF	42.1	AN3420-16

● Dimensional Drawings of Brake Power Supply

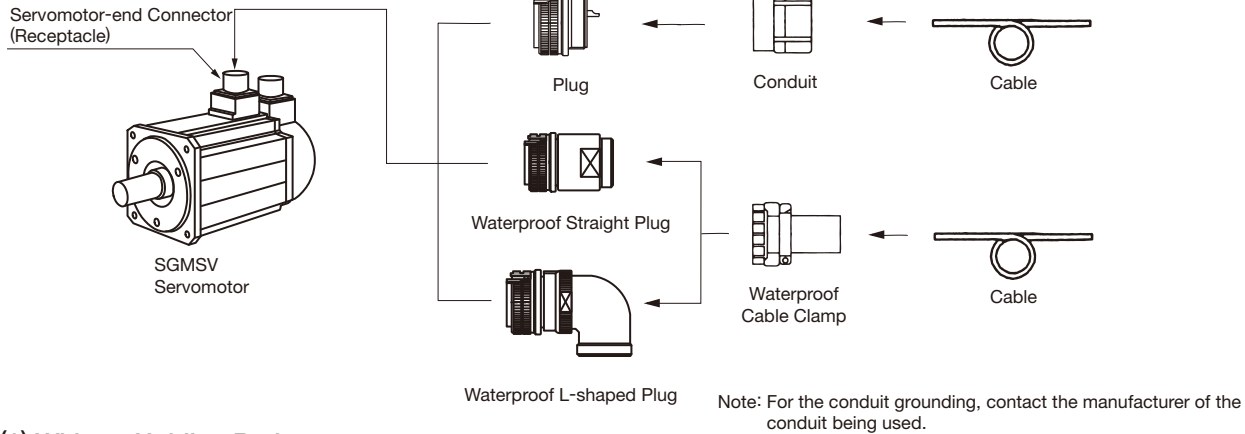


Items	Specifications
Connector Order No.	CM10- □P2S-□ -D (Cables are not included.)
Protective Structure	IP67
Manufacturer	DDK Ltd.
Instructions	L-shaped plug (CM10-AP2S- □ -D): TC-573, Straight plug (CM10-SP2S- □ -D): TC-583
Electrical Contact Order No.	<p>Electrical contact (100 pcs in one bag)</p> <ul style="list-style-type: none"> Crimped type: CM10-#22SC(C3)-100, Wire size: AWG16 to 20, Outer diameter of sheath: 1.87 to 2.45 dia., Hand tool: 357J-50448T Soldered type: CM10-#22SC (S2)-100, Wire size: AWG16 max. <p>Real contact (4000 pcs on one reel)</p> <ul style="list-style-type: none"> Crimped type: CM10-#22SC(C3)-4000, Wire size: AWG 16 to 20, Outer diameter of sheath: 1.87 to 2.45 dia., Semi-automatic tool: AP-A50541T (product name for one set), AP-A50541T-1 (product name for applicator) <p>Note: The product name of the semi-automatic tool refers to the product name of the press and applicator (crimper) as a set.</p>

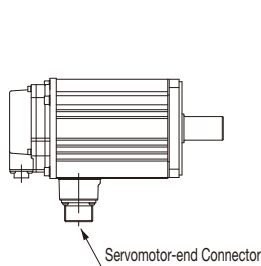
Selecting Cables

● Protective Structure IP67 and European Safety Standards Compliant Connector

● Connector Configuration



(1) Without Holding Brakes



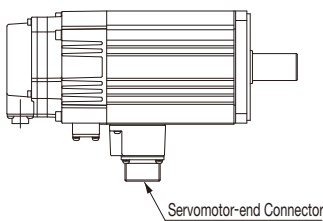
Servomotor-end Connector
For 1.0 to 7.0 kW

Capacity kW	Servomotor-end Connector (Receptacle)	Cable-end Connector (Not Provided by Yaskawa)				Applicable Cable Diameter (For Reference)	Manufacturer
		Plug	Straight Plug	L-shaped Plug	Cable Clamp		
1.0 to 2.5	CE05-2A18-10PD-D	CE05-6A18-10SD-D	CE05-6A18-10SD-D-BSS	CE05-8A18-10SD-D-BAS	CE3057-10A-1-D	10.5 dia. to 14.1 dia.	DDK Ltd.
					CE3057-10A-2-D	8.5 dia. to 11.0 dia.	
					CE3057-10A-3-D	6.5 dia. to 8.7 dia.	
3.0 to 7.0	JL04HV-2E22-22PE-B-R	JL04V-6A22-22SE-R	JL04V-6A22-22SE-EB-R or JA06A-22-22S-J1-EB-R*	JL04V-8A22-22SE-EB-R or JA08A-22-22S-J1-EB-R*	JL04-2022CK (09) -R	6.5 Dia. to 9.5 Dia.	Japan Aviation Electronics Industry, Ltd.
					JL04-2022CK (12) -R	9.5 Dia. to 13.0 Dia.	
					JL04-2022CK (14) -R	12.9 Dia. to 15.9 Dia.	

*: Not compliant with European Safety Standards, but compliant with protective structure IP67.

(2) With Holding Brakes (200 V)

No brake connector for 200-V models
(there are brake terminals on the servomotor-end connectors).



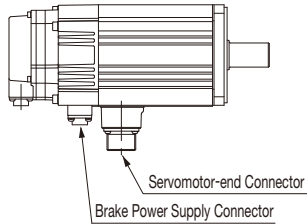
Servomotor-end Connector
For 1.0 to 5.0 kW

Capacity kW	Servomotor-end Connector (Receptacle)	Cable-end Connector (Not Provided by Yaskawa)				Applicable Cable Diameter (For Reference)	Manufacturer
		Plug	Straight Plug	L-shaped Plug	Cable Clamp		
1.0 to 2.5	JL04V-2E20-15PE-B-R	JL04V-6A20-15SE-R	JL04V-6A20-15SE-EB-R	JL04V-8A20-15SE-EB-R	JL04-2022CK (09) -R	6.5 Dia. to 9.5 Dia.	Japan Aviation Electronics Industry, Ltd.
					JL04-2022CK (12) -R	9.5 Dia. to 13.0 Dia.	
					JL04-2022CK (14) -R	12.9 Dia. to 15.9 Dia.	
3.0 to 5.0	JL04V-2E24-10PE-B-R	JL04V-6A24-10SE-R	JL04V-6A24-10SE-EB-R or JA06A-24-10S-J1-EB-R*	JL04V-8A24-10SE-EB-R or JA08A-24-10S-J1-EB-R*	JL04-2428CK (11) -R	9.0 Dia. to 12.0 Dia.	Japan Aviation Electronics Industry, Ltd.
					JL04-2428CK (14) -R	12.0 Dia. to 15.0 Dia.	
					JL04-2428CK (17) -R	15.0 Dia. to 18.0 Dia.	
					JL04-2428CK (20) -R	18.0 Dia. to 20.0 Dia.	

*: Not compliant with European Safety Standards, but compliant with protective structure IP67.

Selecting Cables

(3) With Holding Brakes (400 V)



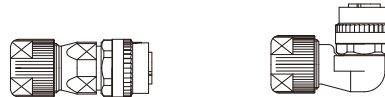
Servomotor-end Connector
For 1.0 to 5.0 kW



Capacity kW	Servomotor- end Connector (Receptacle)	Cable-end Connector (Not Provided by Yaskawa)					Applicable Cable Diameter (For Reference)	Manufacturer
		Plug	Straight Plug	L-shaped Plug	Cable Clamp			
1.0 to 2.5	CE05-2A18- 10PD-D	CE05- 6A18- 10SD-D	CE05-6A18- 10SD-D-BSS	CE05-8A18- 10SD-D-BAS	CE3057-10A-1-D	10.5 dia. to 14.1 dia.	DDK Ltd.	
					CE3057-10A-2-D	8.5 dia. to 11.0 dia.		
					CE3057-10A-3-D	6.5 dia. to 8.7 dia.		
3.0 to 5.0	JL04HV-2E22- 22PE-B-R	JL04V- 6A22- 22SE-R	JL04V-6A22SE-EB-R or JA06A-22-22S-J1-EB-R*	JL04V-8A22-22SE-EB-R or JA08A-22-22S-J1-EB-R*	JL04-2022CK (09) -R	6.5 Dia. to 9.5 Dia.	Japan Aviation Electronics Industry, Ltd.	
					JL04-2022CK (12) -R	9.5 Dia. to 13.0 Dia.		
					JL04-2022CK (14) -R	12.9 Dia. to 15.9 Dia.		

*: Not compliant with European Safety Standards, but compliant with protective structure IP67.

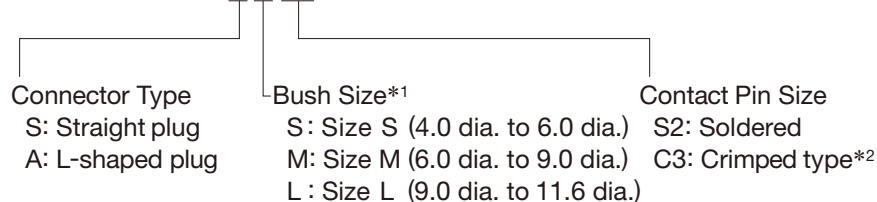
Brake Power Supply Connector
For 1.0 to 5.0 kW



Capacity kW	Servomotor-end Connector (Receptacle)	Cable-end Connector (Not provided by Yaskawa)		Manufacturer
		Straight Plug	L-shaped Plug	
1.0 to 5.0	CM10-R2P-D	CM10-SP2S-S-D Applicable Cable: 4.0 dia. to 6.0 dia.	CM10-AP2S-S-D Applicable Cable: 4.0 dia. to 6.0 dia.	DDK Ltd.
		CM10-SP2S-M-D Applicable Cable: 6.0 dia. to 9.0 dia.	CM10-AP2S-M-D Applicable Cable: 6.0 dia. to 9.0 dia.	
		CM10-SP2S-L-D Applicable Cable: 9.0 dia. to 11.6 dia.	CM10-AP2S-L-D Applicable Cable: 9.0 dia. to 11.6 dia.	

To order a brake power supply connector kit (1.0 to 5.0 kW)
with the order no. below, contact your Yaskawa representative.

J Z S P - C V B 9 - S M S2 - E

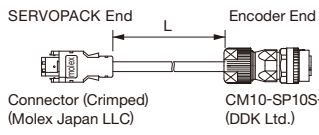
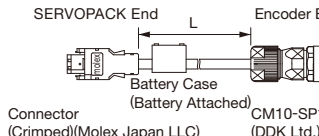
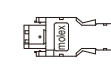





*1: A size-M connector kit is available as standard equipment.

*2: A crimp tool (model: 357J-50448T) by DDK Ltd. is required.

Selecting Cables

● Encoder Cables (Max. length: 20 m)

Name	Length (L)	Order No.		Specifications	Details
		Standard Type	Flexible Type*1		
Encoder Cable with Connectors (For Incremental Encoder)	3 m	JZSP-CVP01-03-E	JZSP-CVP11-03-E	 <p>SERVOPACK End L Encoder End</p> <p>Connector (Crimped) (Molex Japan LLC) CM10-SP10S-□-D (DDK Ltd.)</p>	(1)
	5 m	JZSP-CVP01-05-E	JZSP-CVP11-05-E		
	10 m	JZSP-CVP01-10-E	JZSP-CVP11-10-E		
	15 m	JZSP-CVP01-15-E	JZSP-CVP11-15-E		
	20 m	JZSP-CVP01-20-E	JZSP-CVP11-20-E		
	3 m	JZSP-CVP02-03-E*3	JZSP-CVP12-03-E		
	5 m	JZSP-CVP02-05-E*3	JZSP-CVP12-05-E		
	10 m	JZSP-CVP02-10-E*3	JZSP-CVP12-10-E		
Encoder Cable with Connectors*2 (For Absolute Encoder, with a Battery Case)	3 m	JZSP-CVP06-03-E	JZSP-CVP26-03-E	 <p>SERVOPACK End L Encoder End</p> <p>Connector (Crimped)(Molex Japan LLC) Battery Case (Battery Attached) CM10-SP10S-□-D (DDK Ltd.)</p>	(2)
	5 m	JZSP-CVP06-05-E	JZSP-CVP26-05-E		
	10 m	JZSP-CVP06-10-E	JZSP-CVP26-10-E		
	15 m	JZSP-CVP06-15-E	JZSP-CVP26-15-E		
	20 m	JZSP-CVP06-20-E	JZSP-CVP26-20-E		
	3 m	JZSP-CVP07-03-E*3	JZSP-CVP27-03-E		
	5 m	JZSP-CVP07-05-E*3	JZSP-CVP27-05-E		
	10 m	JZSP-CVP07-10-E*3	JZSP-CVP27-10-E		
SERVOPACK-end Connector Kit		JZSP-CMP9-1-E		<p>Soldered</p>  <p>(Molex Japan LLC)</p>	(3)
	Encoder-end Connectors for Protective Structure IP67 Straight Plug	JZSP-CVP9-1-E	<p>Connector Specifications</p> <p>Plug: CM10-SP10S-M-D</p> <p>Electrical Contact: (Crimped)*4</p> <p>CM10-#22SC(C4)-100</p> <p>Applicable Cable Diameter: 6.0 dia. to 9.0 dia.)</p>		 + Electrical Contact
JZSP-CVP9-3-E		<p>Connector Specifications</p> <p>Plug: CM10-SP10S-M-D</p> <p>Electrical Contact: (Soldered)</p> <p>CM10-#22SC(S1)-100</p> <p>Applicable Cable Diameter: 6.0 dia. to 9.0 dia.)</p>		(DDK Ltd.)	
Encoder-end Connectors for Protective Structure IP67 L-shaped Plug	JZSP-CVP9-2-E	<p>Connector Specifications</p> <p>Plug: CM10-AP10S-M-D</p> <p>Electrical Contact: (Crimped)*4</p> <p>CM10-#22SC(C4)-100</p> <p>Applicable Cable Diameter: 6.0 dia. to 9.0 dia.)</p>		 + Electrical Contact	-
	JZSP-CVP9-4-E	<p>Connector Specifications</p> <p>Plug: CM10-AP10S-M-D</p> <p>Electrical Contact: (Soldered)</p> <p>CM10-#22SC(S1)-100</p> <p>Applicable Cable Diameter: 6.0 dia. to 9.0 dia.)</p>			
Cables	3 m	JZSP-CMP09-03-E	JZSP-CSP39-03-E		(4)
	5 m	JZSP-CMP09-05-E	JZSP-CSP39-05-E		
	10 m	JZSP-CMP09-10-E	JZSP-CSP39-10-E		
	15 m	JZSP-CMP09-15-E	JZSP-CSP39-15-E		
	20 m	JZSP-CMP09-20-E	JZSP-CSP39-20-E		

*1: Use flexible cables for movable sections such as robot arms.

*2: Not required when connecting a battery to the host controller.

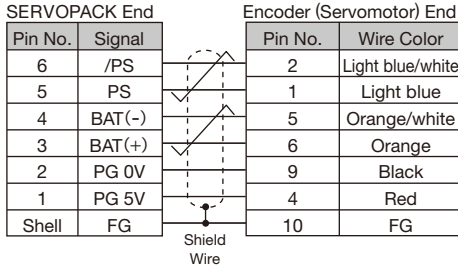
*3: You cannot use a right-angle connector for the encoder of a SGMSV-70A (7.0-kW) Servomotor. Use a straight connector.

*4: A crimp tool (357J-52667T) is required.

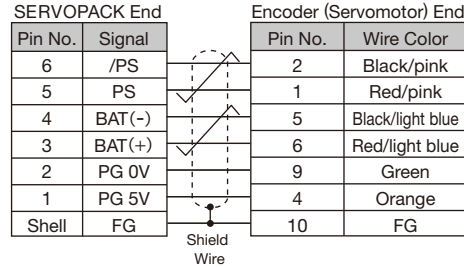
Selecting Cables

(1) Wiring Specifications for Cable with Connectors (For incremental encoder)

• Standard Type

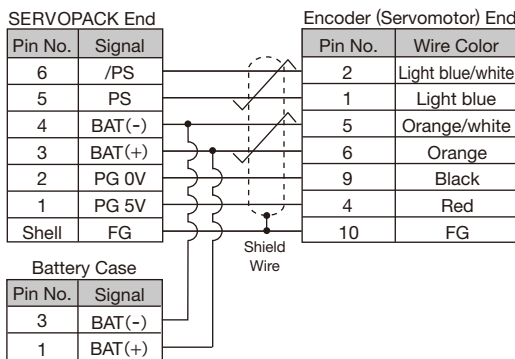


• Flexible Type

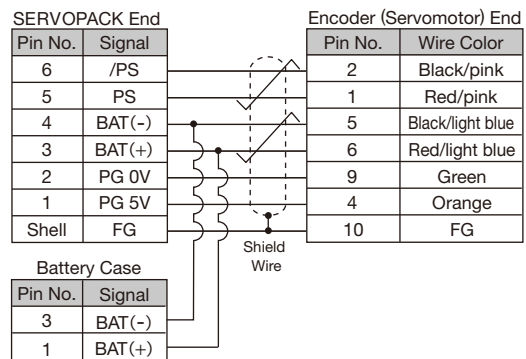


(2) Wiring Specifications for Cable with Connectors (For absolute encoder, with a battery case)

• Standard Type



• Flexible Type



(3) SERVOPACK-end Connector Kit Specifications

Items	Specifications
Order No.	JZSP-CMP9-1-E
Manufacturer	Molex Japan LLC
Connector Model (For standard)	55100-0670 (soldered)
External Dimensions (Units: mm)	

(4) Cable Specifications

Items	Standard Type	Flexible Type
Order No.*	JZSP-CMP09-□□-E	JZSP-CSP39-□□-E
Cable Length	20 m max.	
Specifications	UL20276 (Rating temperature: 80°C) AWG22×2C+AWG24×2P AWG22 (0.33 mm ²) Outer diameter of insulating sheath: 1.15 dia. AWG24 (0.20 mm ²) Outer diameter of insulating sheath: 1.09 dia.	UL20276 (Rating temperature: 80°C) AWG22×2C+AWG24×2P AWG22 (0.33 mm ²) Outer diameter of insulating sheath: 1.35 dia. AWG24 (0.20 mm ²) Outer diameter of insulating sheath: 1.21 dia.
Finished Dimensions	6.5 dia.	6.8 dia.
Internal Configuration and Lead Color		
Yaskawa Standards Specifications (Standard Length)	Cable length: 3 m, 5 m, 10 m, 15 m, 20 m	

*: Specify the cable length in □□ of order no.
Example: JZSP-CMP09-05-E (5 m)

Selecting Cables

Encoder Cables (For extending from 30 to 50 m)

Name	Length	Order No.	Specifications	Details
① Encoder-end Cables (For incremental and absolute encoder)	0.3 m	JZSP-CVP01-E		(1)
		JZSP-CVP02-E*1		
② Cable with Connectors (For incremental and absolute encoder)	30 m	JZSP-UCMP00-30-E		(2)
	40 m	JZSP-UCMP00-40-E		
	50 m	JZSP-UCMP00-50-E		
③ Cable with a Battery Case (For absolute encoder*2)	0.3 m	JZSP-CSP12-E		(3)
④ Relay Cables	30 m	JZSP-CMP19-30-E		(4)
	40 m	JZSP-CMP19-40-E		
	50 m	JZSP-CMP19-50-E		

*1: You cannot use a right-angle connector for the encoder of a SGMSV-70A (7.0-kW) Servomotor. Use a straight connector.

*2: Not required when connecting a battery to the host controller.

(1) Wiring Specifications for Encoder-end Cable (For incremental and absolute encoder)

SERVOPACK End		Encoder (Servomotor) End	
Pin No.	Signal	Pin No.	Wire Color
6	/PS	2	Light blue/white
5	PS	1	Light blue
4	BAT (-)	5	Orange/white
3	BAT (+)	6	Orange
2	PG 0V	9	Black
1	PG 5V	4	Red
Shell	FG	10	FG

Shield Wire

Note: The signals BAT(+) and BAT(-) are used when using an absolute encoder.

(2) Wiring Specifications for Cable with Connectors (For incremental and absolute encoder)

SERVOPACK End		Encoder (Servomotor) End	
Pin No.	Signal	Pin No.	Wire Color
6	/PS	6	Light blue/white
5	PS	5	Light blue
4	BAT (-)	4	Orange/white
3	BAT (+)	3	Orange
2	PG 0V	2	Black
1	PG 5V	1	Red
Shell	FG	Shell	FG

Shield Wire

(4) Relay Encoder Cable Specifications

(3) Wiring Specifications for Cable with a Battery Case (For absolute encoder)

SERVOPACK End		Encoder (Servomotor) End	
Pin No.	Signal	Pin No.	Wire Color
6	/PS	6	Light blue/white
5	PS	5	Light blue
4	BAT (-)	4	Orange/white
3	BAT (+)	3	Orange
2	PG 0V	2	Black
1	PG 5V	1	Red
Shell	FG	Shell	FG

Shield Wire

Battery Case	
Pin No.	Signal
3	BAT (-)
1	BAT (+)

Item	Standard Type
Order No.*	JZSP-CMP19-□□-E
Cable Length	50 m max.
Specifications	UL20276 (Rating temperature: 80°C) AWG16×2C+AWG26×2P AWG16 (1.31 mm ²) Outer diameter of insulating sheath: 2.0 dia. mm AWG26 (0.13 mm ²) Outer diameter of insulating sheath: 0.91 dia. mm
Finished Dimensions	6.8 dia.
Internal Configuration and Lead Colors	
Yaskawa Standard Specifications (Standard Length)	Cable length: 30 m, 40 m, 50 m

*: Specify the cable length in □□ of order no.
Example: JZSP-CMP19-30-E (30 m)



Rotary Servomotor General Instructions

Precautions on Servomotor Installation

Servomotors can be installed either horizontally or vertically.

The service life of the servomotor will be shortened or unexpected problems will occur if the servomotor is installed incorrectly or in an inappropriate location. Always observe the following installation instructions.

CAUTION

• Do not connect the servomotor directly to a commercial power line. This will damage the servomotor.
The servomotor cannot operate without the proper SERVOPACK.

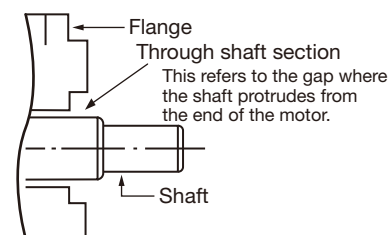
(1) Installation Environment

Items	Condition
Ambient Temperature	0 to 40°C (no freezing)
Ambient Humidity	20% to 80%RH (no condensation)
Installation Site	<ul style="list-style-type: none"> • Free of corrosive or explosive gases. • Well-ventilated and free of dust and moisture. • Facilitates inspection and cleaning. • Elevation :1,000 m max. • Free of high magnetic field
Storage Environment	Store the servomotor in the following environment if it is stored with the power cable disconnected. Ambient temperature during storage: -20 to +60°C (no freezing) Ambient humidity during storage: 20% to 80%RH (no condensation)

(2) Enclosure

The servomotor enclosure* is described table as follows.

Model	Without Gears	With Gears
SGMMV-B3, -B5, -B9	IP42	-
SGMMV-A1, -A2, -A3	IP55	-
SGMAV, SGMJV	IP65	IP55
SGMPS	IP55 IP67 (optional)	IP55
SGMGV	IP67	-
SGMSV	IP67 (SGMSV-70 servomotor only: IP22)	-



*: Except through shaft section. The enclosure specification can be satisfied only when using a specified cable.

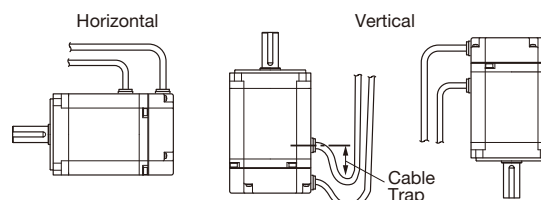
- Do not use servomotors in a location that is subject to oil. If the servomotor is used in a location that is subject to water or oil mist, order a servomotor with an oil seal to seal the through shaft section.

Precautions on Using Servomotor with Oil Seal:

- Put the oil surface under the oil seal lip.
- Use the oil seal in favorably lubricated condition.
- When using the servomotor with its shaft upward direction, be sure that oil will not stay in the oil seal lip.

(3) Orientation

- Servomotors can be installed either horizontally or vertically. When installing servomotors vertically, make cable traps to keep out water. When mounting servomotors with the shaft up, take measures with the connected machine to prevent oil from getting into the servomotors through gear boxes etc.

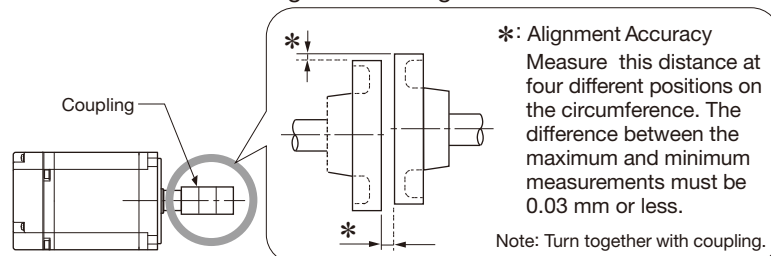


(4) Alignment

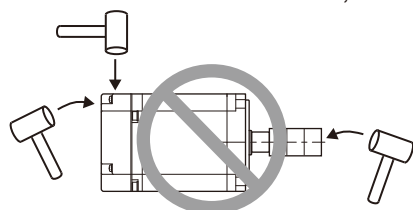
Align the shaft of the servomotor with the shaft of the equipment, and then couple the shafts.

IMPORTANT

- 1 Install the servomotor so that alignment accuracy falls within the following range. Vibration that will damage the bearings and encoders if the shafts are not properly aligned.



- 2 Do not allow any direct impact to the shafts when installing the couplings. Do not hit the area near encoders with a hammer etc., as impacts may damage the encoders.



- 3 Before installation, thoroughly remove the anticorrosive paint from the end of the motor shaft. Only after removing the paint can servomotors be installed on the machines.



(5) Cable Stress

- Make sure there is no bending or tension on the cables themselves, the connections, or the cable lead inlets. Be especially careful to wire encoder cables so that they are not subject to stress because the core wires of encoder cables and main circuit cables are very thin at only 0.2 to 0.3 mm².

(6) Connectors

Observe the following precautions:

- When the connectors are connected to the motor, be sure to connect the end of motor main circuit cables before connecting the encoder cable's end. If the encoder cable's end is connected, the encoder may break because of the voltage differences between FG.
- Make sure there is no foreign matters such as dust and metal chips in the connector before connecting.
- Do not apply shock to resin connectors. Otherwise, they may be damaged.
- Make sure of the pin arrangement.
- Be sure not to apply stress on the connector, when using flexible cables. The connector may be damaged by stress.
- When handling a servomotor with its cables connected, hold the servomotor or the connectors and cables will be damaged.
- Fix the cable connector to SGMJV, SGMAV, SGMP5-01/-02/-04 or SGMGV-03/-05 servomotors with screws. Refer to "Cable connections to SGMJV, SGMAV and SGMP5 servomotors" or "Cable connections to SGMGV-03/-05 servomotors." Make sure that the connector is securely fixed with screws. If the cable connector is not secure, the requirements for the protective structure's specifications may not be met.

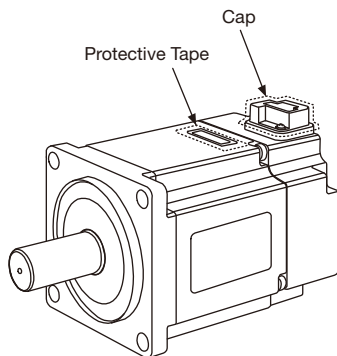
Cable Connections to SGMJV, SGMVA and SGMPS Servomotors

Connect the main circuit cable and encoder cable to SGMJV, SGMVA or SGMPS-01/-02/-04 servomotor in the following manner.

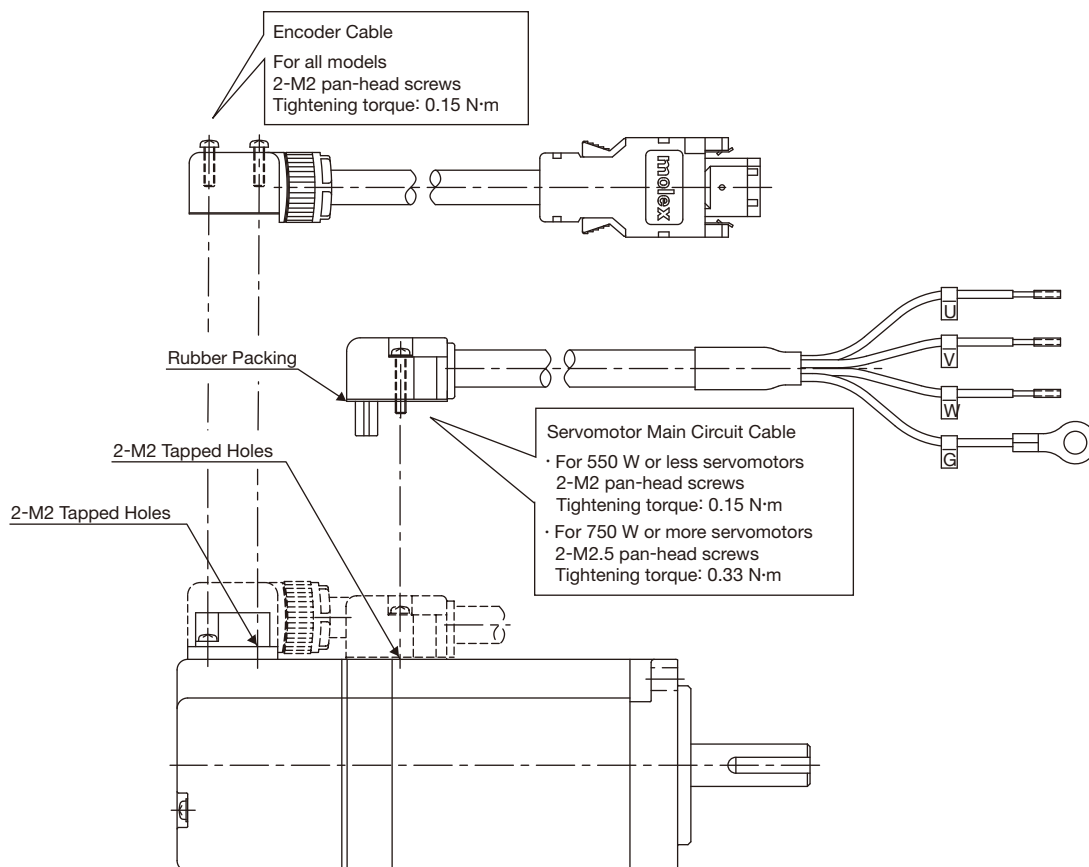
! CAUTION

Do not directly touch the connector pins provided with the servomotor. Particularly, the encoder may be damaged by static electricity, etc.

STEP1 Remove the protective tape and cap from the servomotor connector.



STEP2 Mount the cable connector on the servomotor and fix it with screws as shown in the figure below.



IMPORTANT

- First, connect the servomotor to the servomotor main circuit cable end.
 - Do not remove the rubber packing. Mount the connector so that the rubber packing is seated properly.
- If the rubber packing is not seated properly, the requirements for the protective structure specifications may not be met.

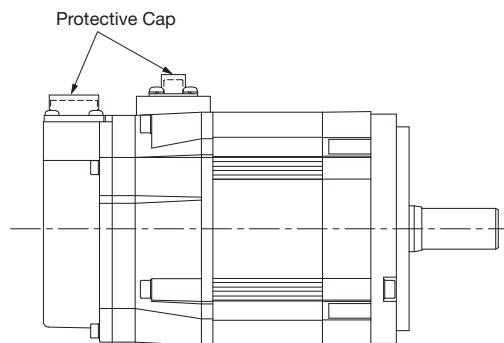
Cable Connections to SGMGV-03/-05 Servomotors

Connect the main circuit cable and encoder cable to SGMGV-03/-05 servomotor in the following manner.

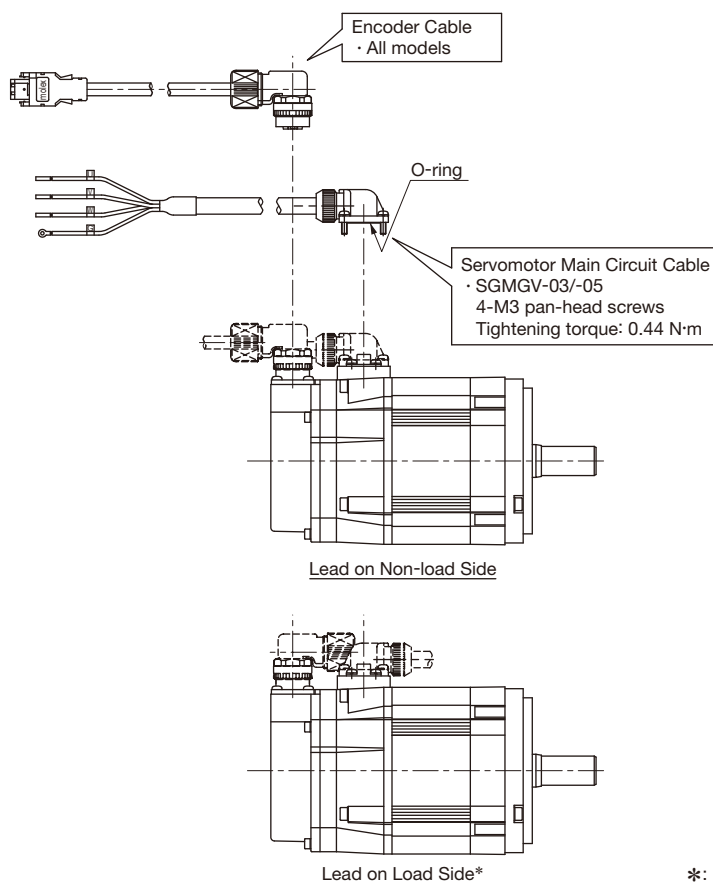
! CAUTION

Do not directly touch the connector pins provided with the servomotor. Particularly, the encoder may be damaged by static electricity, etc.

STEP1 Remove the protective cap from the servomotor connector.



STEP2 Mount the cable connector on the servomotor and fix it with screws as shown in the figure below.



*: In this case, contact your Yaskawa representative.

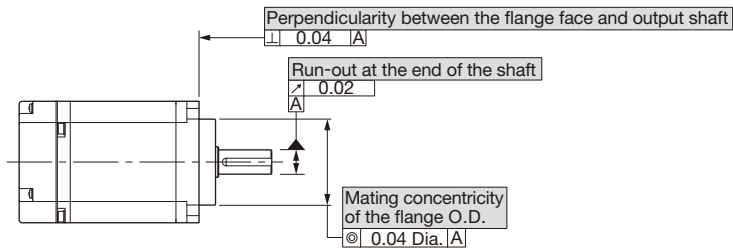
IMPORTANT

- First, connect the servomotor to the servomotor main circuit cable end.
 - Do not remove the O-ring. Mount the connector so that the O-ring is seated properly.
- If the O-ring is not seated properly, the requirements for the protective structure specifications may not be met.

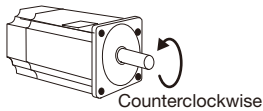
Mechanical Specifications

● Mechanical Tolerance T.I.R. (Total Indicator Reading)

The following figure shows tolerances for the servomotor's output shaft and installation area. For more details on tolerances, refer to the external dimensions of the individual servomotor.

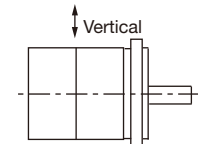


● Direction of Servomotor Rotation



Positive rotation of the servomotor without a gear is counterclockwise when viewed from the load. Refer to *Ratings and Specifications* for each series regarding rotation direction of the servomotor with a gear. The direction of rotation can be reversed by changing the SERVOPACK parameters.

● Shock Resistance

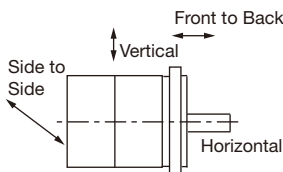


Impact Applied to the Servomotor

Mount the servomotor with the axis horizontal. The servomotor will withstand the following vertical impacts:

- Impact Acceleration: 490 m/s²
- Impact occurrences: 2

● Vibration Resistance



Impact Applied to the Servomotor

Mount the servomotor with the axis horizontal. The servomotor will withstand the following vibration acceleration in three directions: Vertical, side to side, and front to back.

Servomotor Model	Vibration Acceleration at Flange
SGMMV, SGMJV, SGMVA, SGMP5	49 m/s ²
SGMGV -03 to -44, SGMSV -10 to -50	49 m/s ² (Front to back direction: 24.5 m/s ²)
SGMGV -55 to -1E	24.5 m/s ²
SGMSV -70	14.7 m/s ²

IMPORTANT

The amount of vibration the servomotor endures will vary depending on the application. Check the vibration acceleration being applied to your servomotor for each application.

● Vibration Class

The vibration class for the servomotors at rated motor speed is V15.

(A vibration class of V15 indicates a total vibration amplitude of 15 μm maximum on the servomotor during rated rotation.)

Rotor Moment of Inertia

Small-capacity servomotors come in a medium inertia series "SGMJV servomotor," "SGMP5 servomotor" and low inertia series "SGMAV servomotor." The rotor moment of inertia of SGMJV servomotor and SGMP5 servomotor are twice as large as that of SGMAV. Select servomotors based on the specifications of your devices, such as load moment of inertia or machine rigidity.

- When the rotor moment of inertia is large:

Servomotors are capable of corresponding to load changes because of the decrease of the moment of inertia ratio. This has the benefit of reducing settling time and speed ripple. This should also improve control stability of machines with low rigidity.

- When mounting a servomotor with a large rotor moment of inertia to a device with a small load moment of inertia:

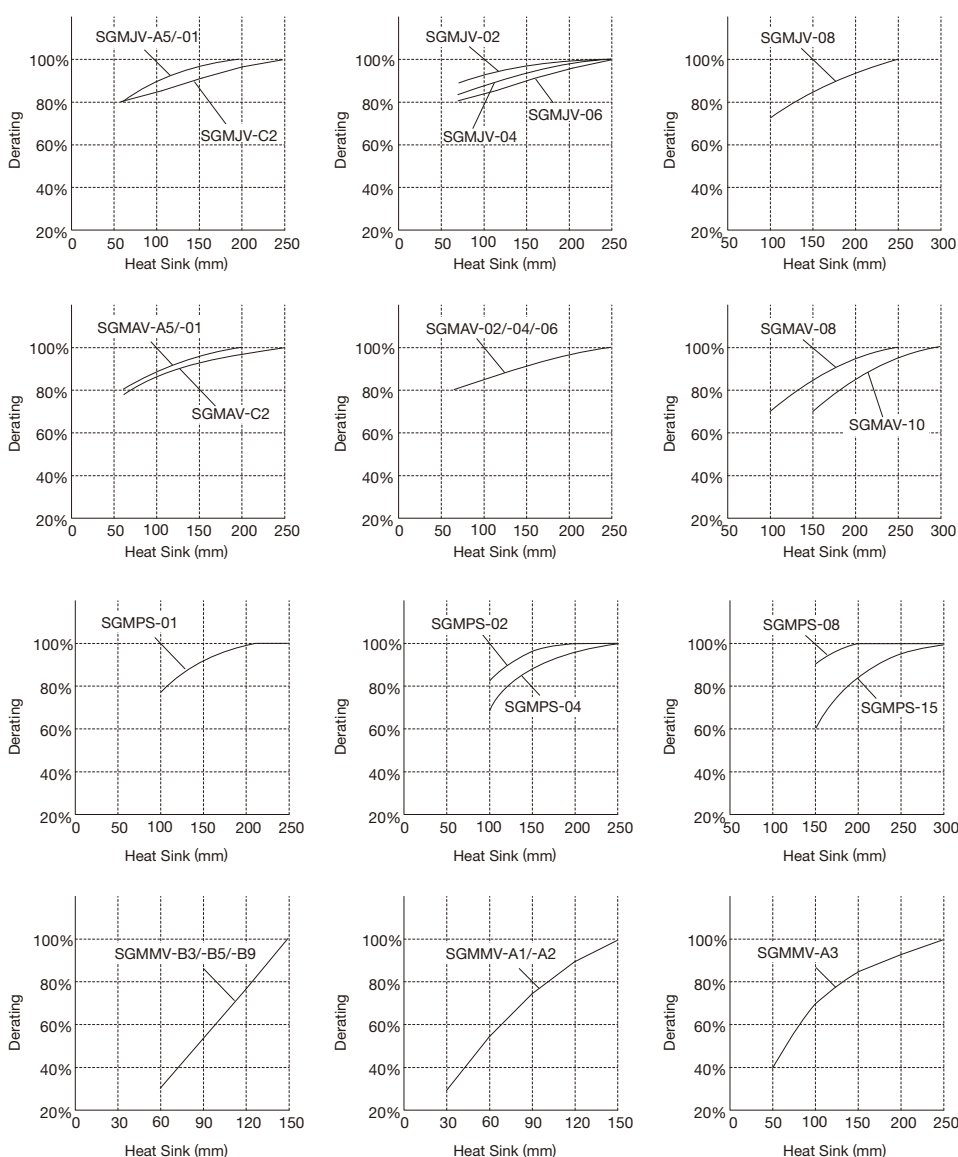
Acceleration/deceleration torque increases and effective load ratio increases. Check the effective load ratio when you select motor capacity.

Servomotor Heat Dissipation Conditions

The motor rated specifications are continuous allowable values at an ambient temperature of 40°C when servomotors are installed with heat sinks. When the motor is mounted on a small surface, the motor temperature may rise considerably because of the limited heat radiating abilities of the surface. See the following graph for the relation between heat sink size and derating (derating ratio).

IMPORTANT The actual temperature rise depends on the following conditions. Always check the Servomotor temperature with actual equipment.

- How the heat sink (Servomotor mounting section) is attached to the installation surface
- Status between the heat sink and Servomotor (sealant, reduction gear, etc.)
- Material used for the Servomotor mounting section
- Servomotor speed



Holding Brake Delay Time

Holding brakes have motion delay time that varies depending on when the brake is open and when the brake is operating. The following table shows the brake delay time of each servomotor.

IMPORTANT

Make sure the holding brake delay time is correct for your servomotor.

- Example, switching the holding brakes on the DC side

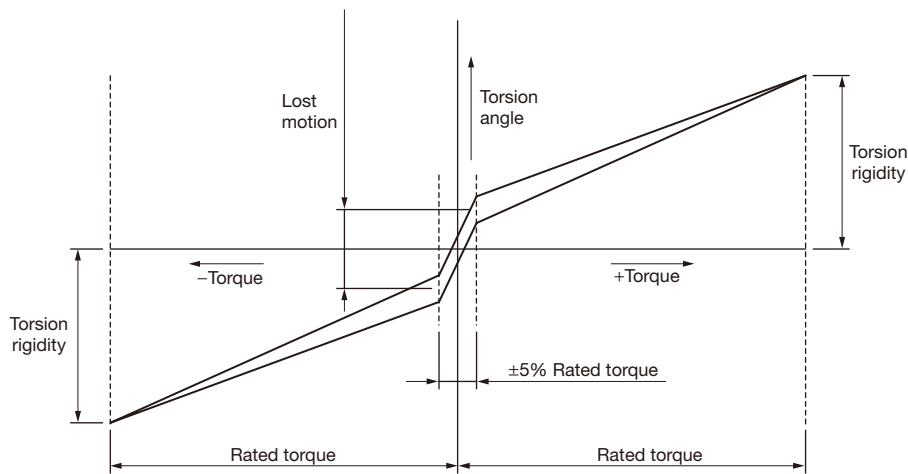
Model	Voltage	Brake Open Time ms	Brake Operation Time ms	Model	Voltage	Brake Open Time ms	Brake Operation Time ms
SGMMV-A1 to -A3	24 V	40	100	SGMGV-03 to -20	24 V, 90 V	100	80
SGMAV-A5 to -04	24 V	60	100	SGMGV-30,-44		170	100 (24 V), 80 (90 V)
SGMAV-06 to -10	24 V	80	100	SGMGV-55,-75,-1A		170	80
SGMJV-A5 to -04	24 V	60	100	SGMGV-1E		250	80
SGMJV-06, -08	24 V	80	100	SGMSV-10 to -25		170	80
SGMPS-01, -08	24 V	20	100	SGMSV-30 to -50		100	80
SGMPS-02, -04, -15	24 V	40	100				

Terms for Servomotors with Gears

(1) Terminology for Servomotors with Low-backlash Gears

Item	Measurement Method/Definition	Typical Value
Rated Torque (N·m)	The rated output torque of the motor is the gear input torque. The rated torque is this value multiplied by the inverse of the gear ratio and efficiency.	—
Lost Motion (arc-min)*	Angular difference in a screw with a ± 5% rated torque load. (Maximum value at any four positions during output.)	3 max.
Torsion Rigidity (arc-min)*	Highest torsion angle value on one side with a ± rated torque load.	10 max.
Angular Transmission Error Accuracy (arc-min)	Difference in absolute accuracy for one rotation under load and no-load conditions during output.	6 max.

*: See the following graph for lost motion and torsion rigidity.

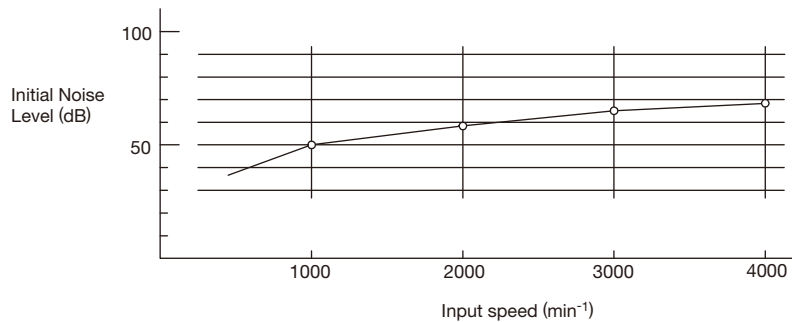


(2) Noise Data

The following noise data for a servomotor with a gear is for reference only. The data may vary slightly depending on the capacity and gear ratio of the servomotor.

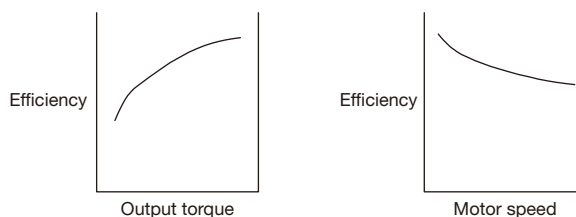
Measurement Conditions

- Scale A: 50 cm
- Ground Noise: 28 dB



(3) Efficiency

The output torque and motor speed produce the following trends in efficiency. The values in the tables, Ratings and Specifications of SGM□□ Servomotors with Gears, are at the rated motor torque and rated motor speed.



Cables

● Standard Cables

Standard servomotor main circuit cables, encoder cables, and relay cables cannot be used in cases where high flexibility is needed, as when the cables themselves move or are twisted or turned.

When you use Standard Cables, observe the recommended bending radius given in the following table and perform all wiring so that stress is not applied to the cables. Use the cables so that they are not repeatedly bent. Use flexible cables for flexible applications.

Cable Diameter	Recommended Bending Radius [R]
Less than 8 mm	15 mm min.
8 mm	20 mm min.
Over 8 mm	Cable diameter × 3 mm min.

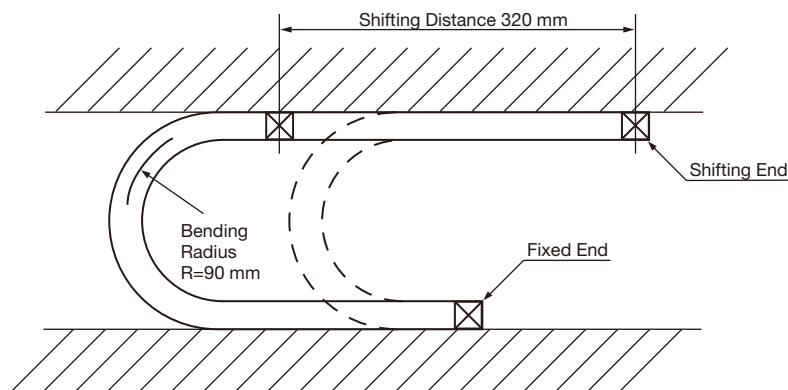
● Flexible Cables

(1) Life of Flexible Cable

The flexible cable supports 10,000,000 or more operations of bending life with the recommended bending radius $R = 90$ mm under the following test conditions.

● Conditions

- 1 Repeat moving one end of the cable forward and backward for 320 mm using the test equipment shown in the following figure.
- 2 Connect the lead wires in parallel, and count the number of cable return motion times until a lead wire is disconnected. Note that one reciprocation is counted as one test.



- Notes: 1 The life of flexible cable differs largely depending on the amount of mechanical shocks, mounting to the cable, and fixing methods. The life of flexible cable is limited under the specified conditions.
2 The life of flexible cable indicates the number of bending times in which lead wires are electrically conducted and by which no cracks and damages that affects the performance of cable sheathing are caused. Disconnecting the shield wire is not taken into account.

(2) Wiring Precautions

Even if the recommended bending radius R is followed in the mechanical design, incorrect wiring may cause the early disconnection. Observe the following precautions when wiring.

(a) Cable twisting

Straighten the flexible cables wiring.

Twisted cables cause the early disconnection. Check the indication on the cable surface to make sure that the cable is not twisted.

(b) Fixing method

Do not fix the moving points of the flexible cable, or stress on the fixed points may cause early disconnection. Fix the cable at the minimum number of points. Do not put stress on the servomotor-end and SERVOPACK-end connectors.

(c) Cable length

If the cable length is too long, it may result the cable sagging. If the cable length is too short, excessive tension on the fixed points will cause the early disconnection. Use a flexible cable with the optimum length.

(d) Interference between cables

Avoid interference between cables.

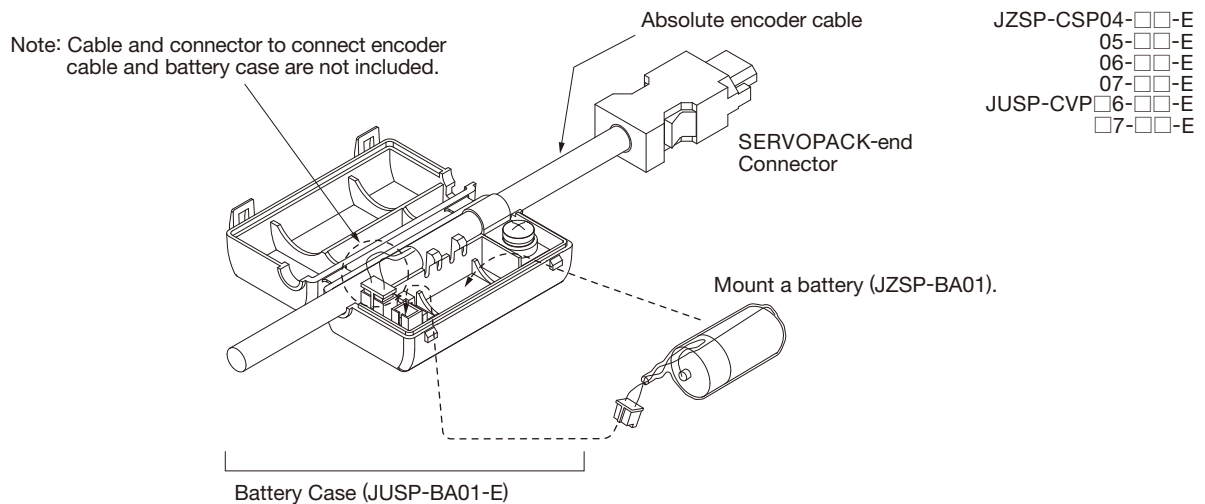
Interference limits the motion of flexible cable, which causes early disconnection. Keep enough distance between cables, or provide a partition when wiring.

Battery Case

● Battery Case (Model: JUSP-BA01-E)

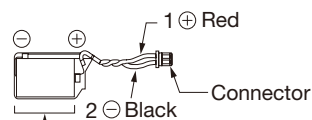
Use this battery case if your battery case needs replacing due to damage etc.. This battery case cannot be used with an incremental encoder cable.

- IMPORTANT**
- 1 The battery case (JUSP-BA01-E) is not provided with a battery. A battery must be purchased separately.
 - 2 Install the battery case where the ambient temperature is between 0°C to 55°C.



(1) Mounting a Battery in a Battery Case

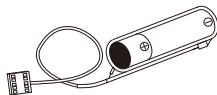
Prepare a lithium battery (JZSP-BA01) and mount in a battery case.



ER3 V Lithium Battery
(3.6 V, 1000 mAh, manufactured by Toshiba Battery Co., Ltd.)

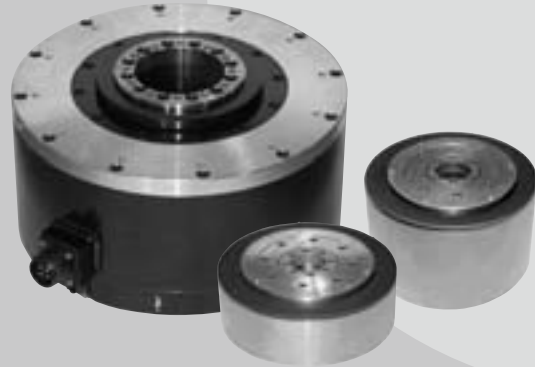
(2) Connecting a Battery to the Host Controller

Use a battery that meets the specifications of the host controller. Use an ER6VC3N (3.6 V, 2000 mAh, manufactured by Toshiba Battery Co., Ltd.) or equivalent battery.



Direct Drive Servomotors

SGMCS



Model Designations

SGMCS - 02 B 3 C 1 1

Direct Drive Servomotor SGMCS

1st+2nd digits 3rd digit 4th digit 5th digit 6th digit 7th digit

1st+2nd digits Rated Torque

● Small-capacity

Code	Specifications
02	2.0 N·m
04	4.0 N·m
05	5.0 N·m
07	7.0 N·m
08	8.0 N·m
10	10 N·m
14	14 N·m
16	16 N·m
17	17 N·m
25	25 N·m
35	35 N·m

● Medium-capacity

Code	Specifications
45	45 N·m
80	80 N·m
1A	110 N·m
1E	150 N·m
2Z	200 N·m

3rd digit Motor Outer Diameter

Code	Specifications
B	135 dia. mm
C	175 dia. mm
D	230 dia. mm
E	290 dia. mm
M	280 dia. mm
N	360 dia. mm

4th digit Serial Encoder

Code	Specifications
3	20-bit absolute (without multiturn data) (standard)
D	20-bit incremental (option)

5th digit Design Revision Order

Code	Specifications
A	Model of servomotor outer diameter code M, N
B	Model of servomotor outer diameter code E
C	Model of servomotor outer diameter code B, C, D

6th digit Flange Specifications

Code	Flange Specifications		Motor Outer Diameter Code (3rd digit)					
	Specifications	Mounted Side	B	C	D	E	M	N
1	C-face	Non-load side	○	○	○	○	-	-
		load end	-	-	-	-	○	○
3	C-face	Non-load side	-	-	-	-	○	○
4	C-face	Non-load side (with cable on side)	○	○	○	○	-	-

○ : Applicable Model

7th digit Option

Code	Specifications
1	Without options

Features

- Directly coupled to a load without a mechanical transmission such as a gear.
- Powerful and smooth operation throughout the speed range from low to high.
(Instantaneous peak torque: 6 to 600 N·m
maximum speed: 250 to 500 min⁻¹)
- High-resolution, 20-bit encoder for highly precise indexing.
- Easy wiring and piping with the hollow structure.

Application Examples

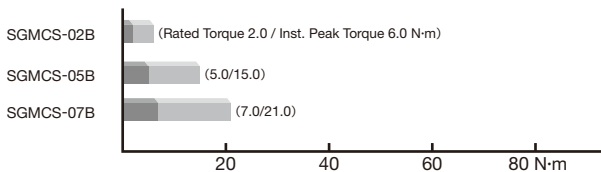
- Semiconductor equipment
- LCD manufacturing equipment
- Units for inspection and testing
- Electronic parts assembling machines
- IC handlers
- Inspection units for integrated circuits
- Automated machines
- Robots

Rated Torque / Peak Torque

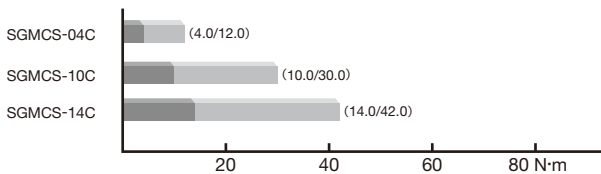
● Small-capacity



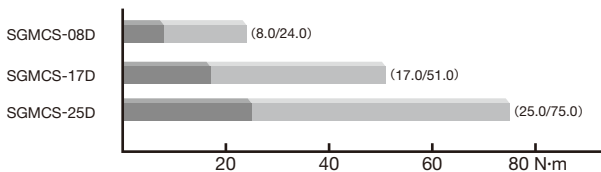
Outer Diameter 135 mm, Inner Diameter 20 mm



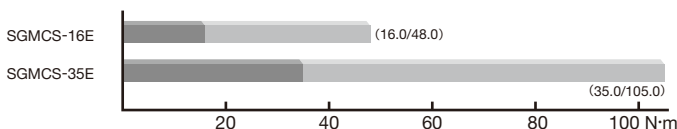
Outer Diameter 175 mm, Inner Diameter 35 mm



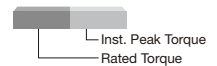
Outer Diameter 230 mm, Inner Diameter 60 mm



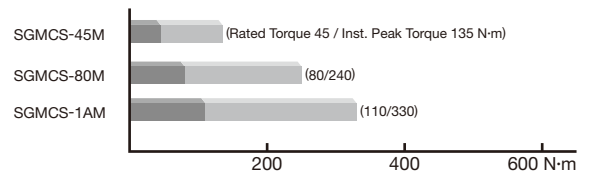
Outer Diameter 290 mm, Inner Diameter 75 mm



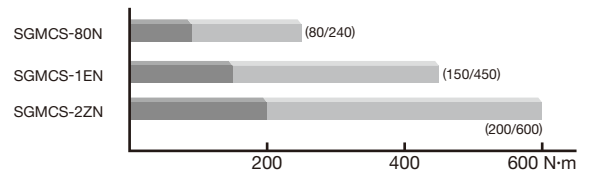
● Medium-capacity



Outer Diameter 280 mm, Inner Diameter 75 mm



Outer Diameter 360 mm, Inner Diameter 118 mm



Ratings and Specifications

● Small-capacity Series

Time Rating: Continuous

Vibration Class: V15

Insulation Resistance: 500 VDC, 10 MΩ min.

Ambient Temperature: 0 to 40°C

Excitation: Permanent magnet

Mounting: Flange method

Thermal Class: A

Withstand Voltage: 1500 VAC for one minute

Enclosure: Totally enclosed, self-cooled, IP42 (except for gaps on the rotating section of the shaft)

Ambient Humidity: 20% to 80% (no condensation)

Drive Method: Direct drive

Rotation Direction: Counterclockwise (CCW) with forward run reference when viewed from the load side

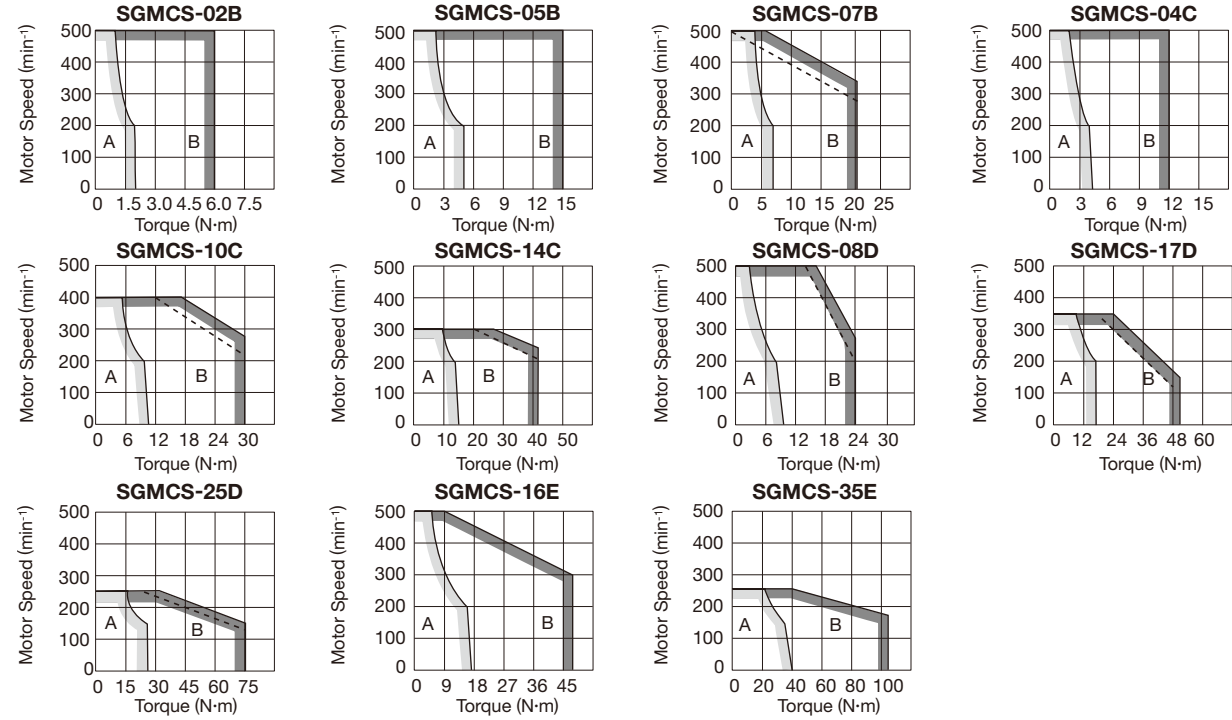
Voltage		200 V										
Servomotor Model	SGMCS-□□□□□	02B□C	05B□C	07B□C	04C□C	10C□C	14C□C	08D□C	17D□C	25D□C	16E□B	35E□B
Rated Output*1	W	42	105	147	84	209	293	168	356	393	335	550
Rated Torque*1, *2	N·m	2.0	5.0	7.0	4.0	10.0	14.0	8.0	17.0	25.0	16.0	35.0
Instantaneous Peak Torque*1	N·m	6.0	15.0	21.0	12.0	30.0	42.0	24.0	51.0	75.0	48.0	105
Stall Torque*1	N·m	2.05	5.15	7.32	4.09	10.1	14.2	8.23	17.4	25.4	16.5	35.6
Rated Current*1	Arms	1.8	1.7	1.4	2.2	2.2	2.8	1.9	2.5	2.6	3.3	3.5
Instantaneous Max. Current*1	Arms	5.4	5.1	4.1	7.0	7.0	8.3	5.6	7.5	8.0	9.4	10.0
Rated Speed*1	min ⁻¹	200			200			200		150	200	150
Max. Speed*1	min ⁻¹	500			500	400	300	500	350	250	500	250
Torque Constant	N·m/Arms	1.18	3.17	5.44	2.04	5.05	5.39	5.1	7.8	10.8	5.58	11.1
Rotor Moment of Inertia	×10 ⁻⁴ kg·m ²	28	51	77	77	140	220	285	510	750	930	1430
Rated Power Rate*1	kW/s	1.4	4.9	6.4	2.1	7.1	8.9	2.2	5.7	8.3	2.75	8.57
Rated Angular Acceleration*1	rad/s ²	710	980	910	520	710	640	280	330	330	170	240
Absolute Accuracy	second	±15			±15			±15		±15		
Repeatability	second	±1.3			±1.3			±1.3		±1.3		
Applicable SERVOPACK	SGDV-□□□□□	2R8A, 2R1F				2R8□			2R8□		5R5A	

*1: These items and torque-motor speed characteristics quoted in combination with an SGDV SERVOPACK are at an armature winding temperature of 100°C. Other values quoted at 20°C.

*2: Rated torques are continuous allowable torque values at 40°C with a steel heat sink attached.
 Heat sink: SGMCS-□□B : 350 mm × 350 mm × 12 mm SGMCS-□□C : 450 mm × 450 mm × 12 mm
 SGMCS-□□D : 550 mm × 550 mm × 12 mm SGMCS-□□E : 650 mm × 650 mm × 12 mm

Notes: 1 SGMCS servomotor with holding brake is not available.
 2 For the bearings used in SGMCS servomotors, loss varies according to the bearing temperature. At low temperatures, the amount of heat loss will be large.

● Small-capacity Series: Torque-Motor Speed Characteristics A : Continuous Duty Zone B : Intermittent Duty Zone

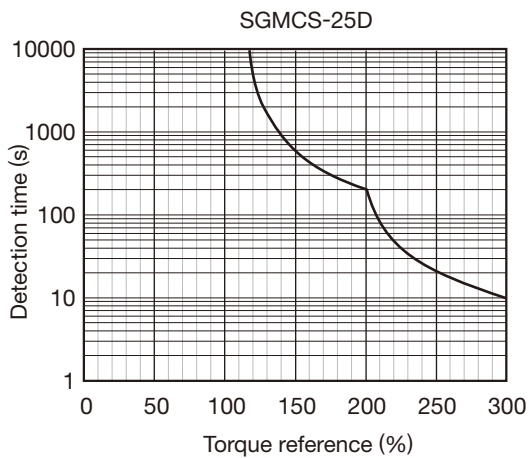
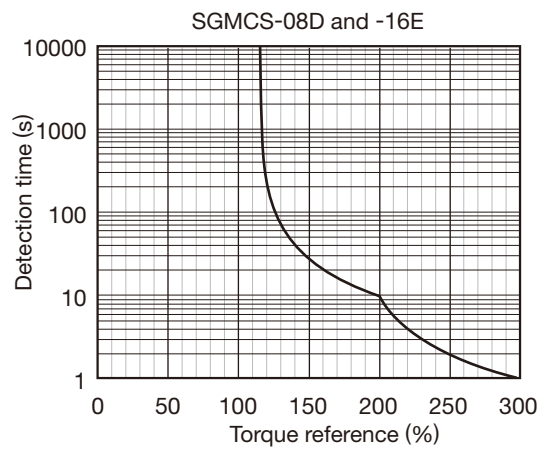
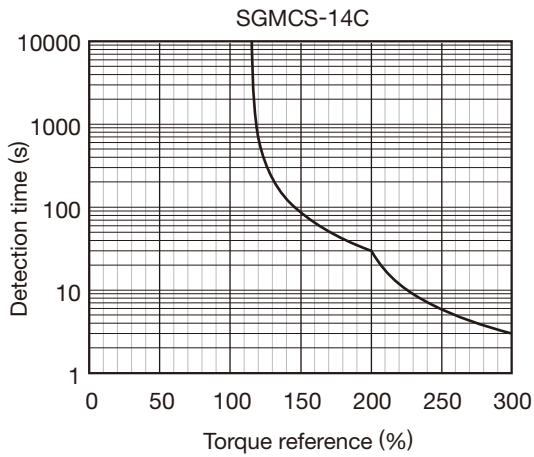
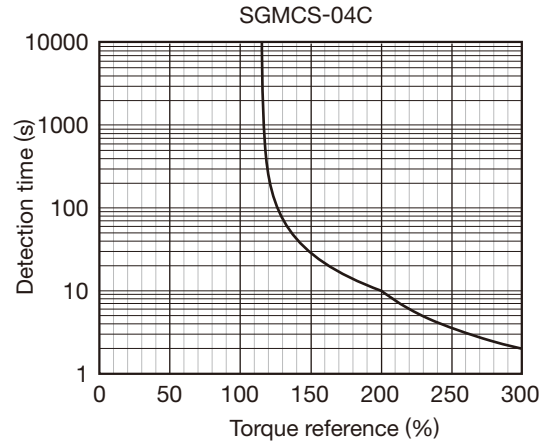
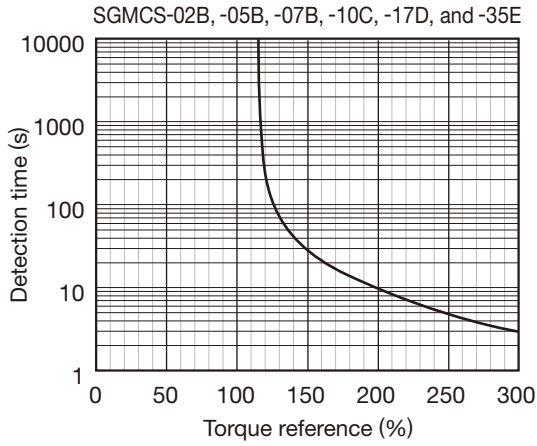


Notes: 1 The characteristics of the intermittent duty zone differ depending on the supply voltage. The solid and dotted lines of the intermittent duty zone indicate the characteristics when a servomotor runs with the following combinations:
 · The solid line: With a three-phase 200 V SERVOPACK
 · The dotted line: With a single-phase 100 V SERVOPACK
 2 When the effective torque is within the rated torque, the servomotor can be used within the intermittent duty zone.
 3 When the main circuit cable length exceeds 20 m, note that the intermittent duty zone of the Torque-Motor Speed Characteristics will shrink as the line-to-line voltage drops.

Ratings and Specifications

● **Small-capacity Series: Servomotor Overload Protection Characteristics**

The overload detection level is set under hot start conditions at a servomotor ambient temperature of 40° C.



SGMCS

Note: Overload characteristics shown above do not guarantee continuous duty of 100% or more output. Use a servomotor with effective torque within the continuous duty zone of *Small-capacity Series: Torque-Motor Speed Characteristics* on the previous page.

Ratings and Specifications

● Medium-capacity Series

Time Rating: Continuous

Vibration Class: V15

Insulation Resistance: 500 VDC, 10 MΩ min.

Ambient Temperature: 0 to 40°C

Excitation: Permanent magnet

Mounting: Flange method

Thermal Class: F

Withstand Voltage: 1500 VAC for one minute

Enclosure: Totally enclosed, self-cooled, IP44
(except for shaft opening)

Ambient Humidity: 20% to 80% (no condensation)

Drive Method: Direct drive

Rotation Direction: Counterclockwise (CCW) with forward run reference
when viewed from the load side

Voltage		200 V					
Servomotor Model SGMCS-□□□□□□		45M□A	80M□A	1AM□A	80N□A	1EN□A	2ZN□A
Rated Output*1	W	707	1260	1730	1260	2360	3140
Rated Torque*1, *2	N·m	45	80	110	80	150	200
Instantaneous Peak Torque*1	N·m	135	240	330	240	450	600
Stall Torque*1	N·m	45	80	110	80	150	200
Rated Current*1	Arms	5.80	9.74	13.4	9.35	17.4	18.9
Instantaneous Max. Current*1	Arms	17	28	42	28	56	56
Rated Speed*1	min ⁻¹	150			150		
Max. Speed*1	min ⁻¹	300			300	250	
Torque Constant	N·m/Arms	8.39	8.91	8.45	9.08	9.05	11.5
Rotor Moment of Inertia	×10 ⁻⁴ kg·m ²	388	627	865	1360	2470	3060
Rated Power Rate*1	kW/s	52.2	102	140	47.1	91.1	131
Rated Angular Acceleration*1	rad/s ²	1160	1280	1270	588	607	654
Absolute Accuracy	second	±15			±15		
Repeatability	second	±1.3			±1.3		
Applicable SERVOPACK	SGDV-□□□□	7R6A	120A	180A	120A	200A	200A

*1: These items and torque-motor speed characteristics quoted in combination with an SGD V SERVOPACK are at an armature winding temperature of 20°C.

*2: Rated torques are continuous allowable torque values at 40°C with a steel heat sink attached.
Heat sink: 750 mm × 750 mm × 45 mm

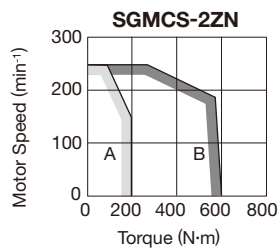
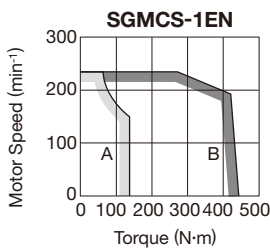
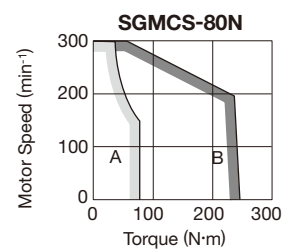
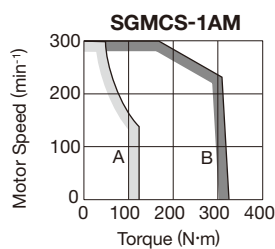
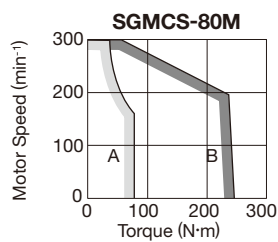
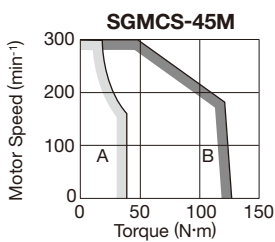
Notes: 1 SGMCS servomotor with holding brake is not available.

2 For the bearings used in SGMCS servomotors, loss varies according to the bearing temperature. At low temperatures, the amount of heat loss will be large.

● Medium-capacity Series: Torque-Motor Speed Characteristics

Ⓐ : Continuous Duty Zone

Ⓑ : Intermittent Duty Zone



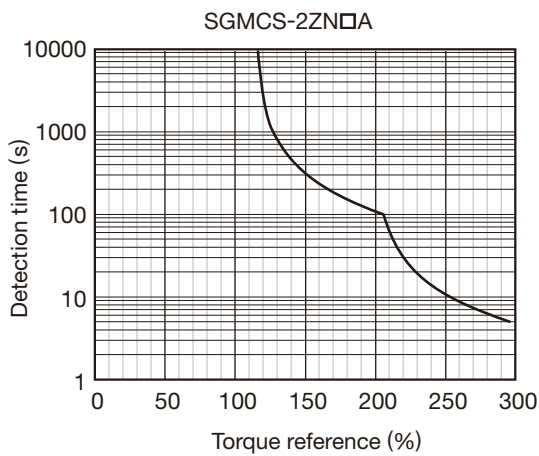
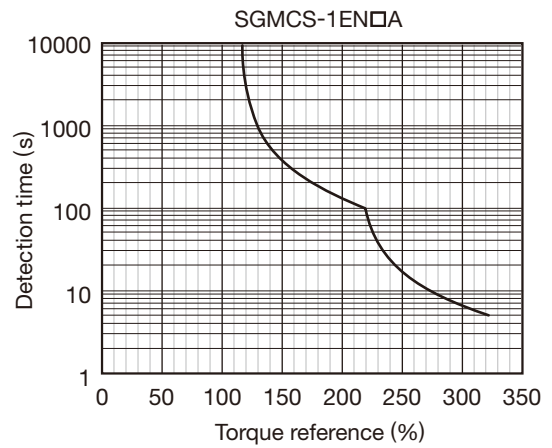
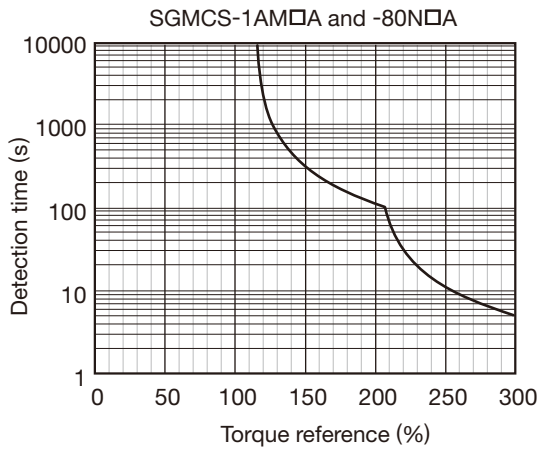
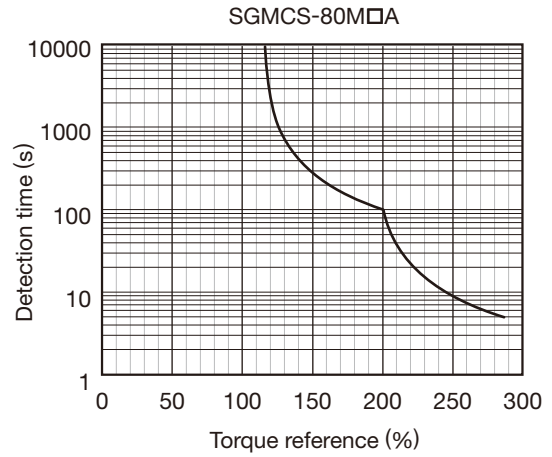
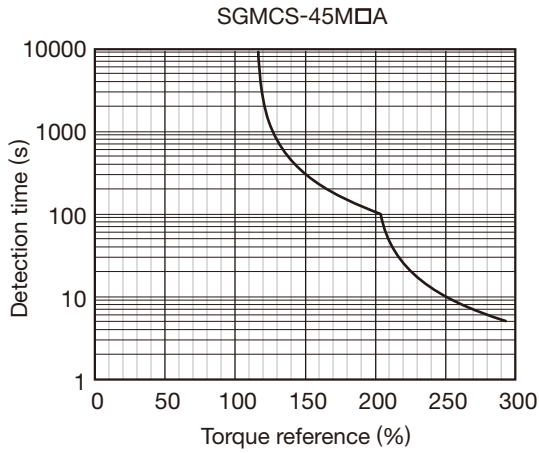
Notes: 1 When the effective torque is within the rated torque, the servomotor can be used within the intermittent duty zone.

2 When the main circuit cable length exceeds 20 m, note that the intermittent duty zone of the Torque-Motor Speed Characteristics will shrink as the line-to-line voltage drops.

Ratings and Specifications

● **Medium-capacity Series: Servomotor Overload Protection Characteristics**

The overload detection level is set under hot start conditions at a servomotor ambient temperature of 40° C.



SGMCS

Note: Overload characteristics shown above do not guarantee continuous duty of 100% or more output. Use a servomotor with effective torque within the continuous duty zone of *Medium-capacity Series: Torque-Motor Speed Characteristics* on the previous page.

Ratings and Specifications

● Allowable Load Moment of Inertia at the Motor Shaft

Servomotor Model		Rated Torque N·m	Allowable Load Moment of Inertia (Rotor Moment of Inertia Ratio)
SGMCS-	02B□C, 05B□C, 07B□C, 04C□C	2.0, 5.0, 7.0, 4.0	10 times
	10C□C	10.0	5 times
	14C□C, 08D□C, 17D□C, 25D□C, 16E□B, 35E□B	14.0, 8.0, 17.0, 25.0, 16.0, 35.0	3 times
	45M□A, 80M□A, 1AM□A, 80N□A, 1EN□A, 2ZN□A	45, 80, 110, 150, 200	3 times

● Load Moment of Inertia

The larger the load moment of inertia, the worse the movement response.

The allowable load moment of inertia (J_L) depends on the motor capacity, as shown above. This value is provided strictly as a guideline and results may vary depending on servomotor drive conditions.

Use the AC servo drive capacity selection program SigmaSize+ to check the operation conditions.

The program can be downloaded for free from our web site (<http://www.e-mechatronics.com/>).

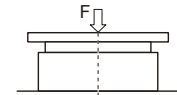
An overvoltage alarm (A.400) is likely to occur during deceleration if the load moment of inertia exceeds the allowable load moment of inertia. SERVOPACKs with a built-in regenerative resistor may generate a regenerative overload alarm (A.320). Take one of the following steps if this occurs.

- Reduce the torque limit.
- Reduce the deceleration rate.
- Reduce the maximum speed.
- Install an external regenerative resistor if the alarm cannot be cleared using the steps above. Refer to *Regenerative Resistors* on page 375.

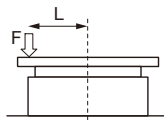
Mechanical Specifications

● Allowable Loads

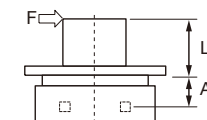
The loads applied while a servomotor is running are roughly classified in the following patterns. Design the machine so that the thrust load and moment load will not exceed the values in the table.



Where F is external force,
Thrust load: $F_a = F + \text{Load mass}$
Moment load: $M = 0$



Where F is external force,
Thrust load: $F_a = F + \text{Load mass}$
Moment load: $M = F \times L$



Where F is external force,
Thrust load: $F_a = \text{Load mass}$
Moment load: $M = F \times (L + A)$

(See the table below for the dimension A of each servomotor model.)

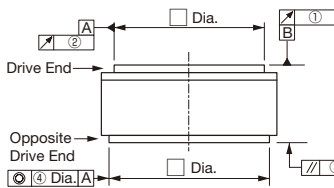
Servomotor Model SGMCS- □	02B	05B	07B	04C	10C	14C	08D	17D	25D	16E	35E	45M	80M	1AM	80N	1EN	2ZN
Dimension A mm	0			0			0			0		33		37.5			
Allowable Thrust Load (F_a) N	1500			3300			4000			11000		9000		16000			
Allowable Moment Load (M) N·m	40	50	64	70	75	90	93	103	135	250	320	180		350			

Note: SGMCS-02B to -35E servomotors, set dimensions A to 0 (zero).

● Mechanical Tolerance

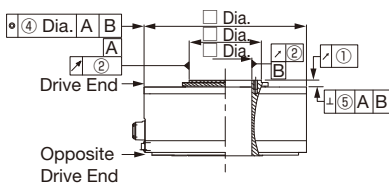
The following table shows tolerances for the servomotor's output shaft and installation area. See the dimensional drawing of the individual servomotor for more details on tolerances.

(1) Small-capacity Series



Tolerance T.I.R. (Total Indicator Reading) Units: mm	Servomotor Model SGMCS-										
	02B	05B	07B	04C	10C	14C	08D	17D	25D	16E	35E
① Run-out of the Surface of the Shaft	0.02		0.02		0.02		0.02		0.02		0.02
② Run-out at the End of the Shaft	0.04		0.04		0.04		0.04		0.04		0.04
③ Pararellism between the Flange Face and Output Shaft	0.07		0.07		0.07		0.08		0.08		0.08
④ Coaxiality of Output Axis and Mounting Socket Joint	0.07		0.07		0.07		0.08		0.08		0.08

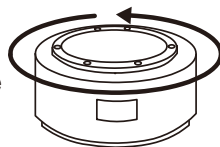
(2) Medium-capacity Series



Tolerance T.I.R. (Total Indicator Reading) Units: mm	Servomotor Model SGMCS-					
	45M	80M	1AM	80N	1EN	2ZN
① Run-out of the Surface of the Shaft	0.02		0.02			
② Run-out at the End of the Shaft	0.04		0.04			
③ Pararellism between the Flange Face and Output Shaft	-		-			
④ Coaxiality of Output Axis and Mounting Socket Joint	0.08		0.08			
⑤ Right angle between Flange Face and Output Shaft	0.08		0.08			

● Direction of Rotation

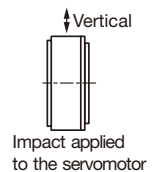
Positive rotation of the servomotor is counterclockwise when viewed from the load.



● Impact Resistance

Mount the servomotor with the axis horizontal. The servomotor will withstand the following vertical impacts:

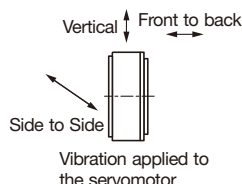
- Impact Acceleration: 490 m/s²
- Number of Impacts: 2



● Vibration Resistance

Mount the servomotor with the axis horizontal. The servomotor will withstand the following vibration acceleration in three directions: Vertical, side to side, and front to back.

Servomotor Type	Vibration Acceleration at Flange
Small-capacity Series	49 m/s ²
Medium-capacity Series	24.5 m/s ²



● Vibration Class

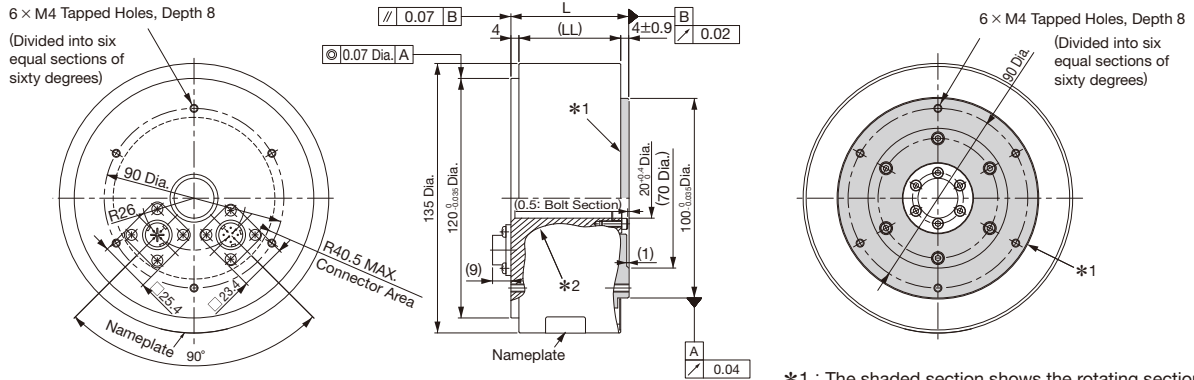
The vibration class at rated motor speed is V15. (A vibration class of V15 indicates a total vibration amplitude of 15 μm maximum on the servomotor during rated rotation.)

External Dimensions Units: mm

● Small-capacity Series

(1) Rated Torque 2.0 to 7.0 N·m (Outer Diameter 135 mm, Inner Diameter 20 mm)

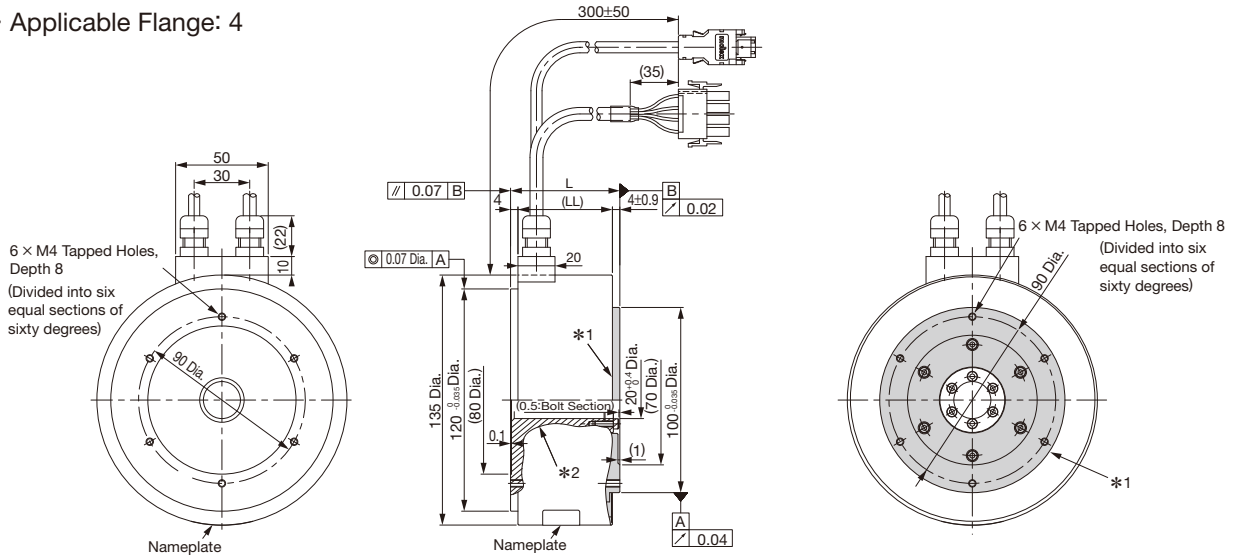
• Applicable Flange: 1



*1 : The shaded section shows the rotating section.
*2 : The hatched section shows the non-rotating section.

Model SGMCS-	L	(LL)	Approx. Mass kg
02B□C11	59	51	4.8
05B□C11	88	80	5.8
07B□C11	128	120	8.2

• Applicable Flange: 2

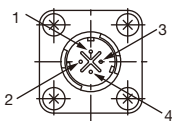


*1 : The shaded section shows the rotating section.
*2 : The hatched section shows the non-rotating section.

Model SGMCS-	L	(LL)	Approx. Mass kg
02B□C41	59	51	4.8
05B□C41	88	80	5.8
07B□C41	128	120	8.2

● Servomotor Connector for Small-capacity Series Servomotors (Applicable Flange: 1)

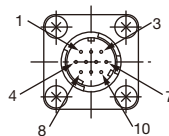
Servomotor-end Connector Specifications



Model: JN1AS04MK2
Manufacturer: Japan Aviation Electronics Industry, Ltd.
Applicable plug: JN1DS04FK1
(Provided by the customer.)

1	Phase U	Red
2	Phase V	White
3	Phase W	Blue
4	FG (Frame ground)	Green (yellow)

Encoder-end Connector Specifications



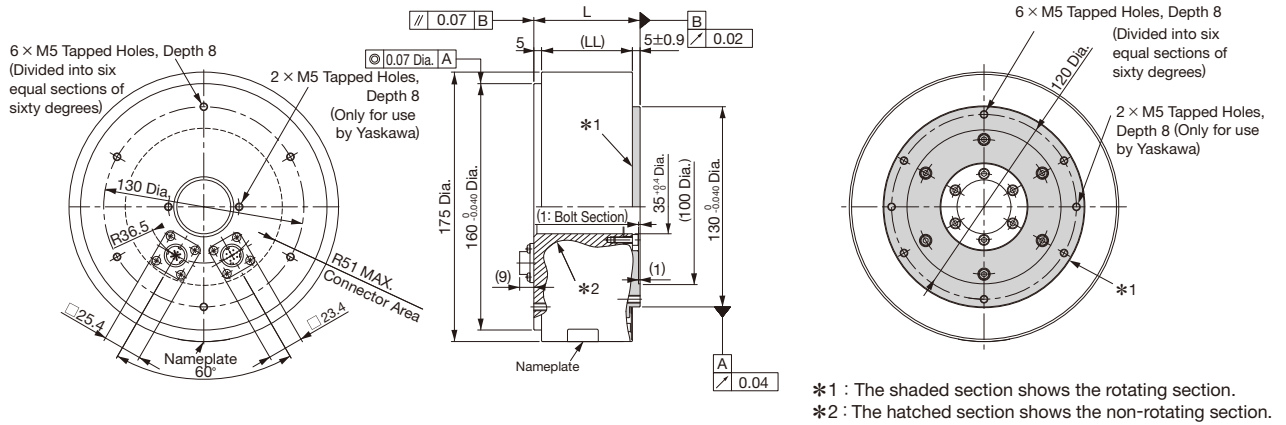
Model: JN1AS10ML1
Manufacturer: Japan Aviation Electronics Industry, Ltd.
Applicable plug: JN1DS10SL1
(Provided by the customer.)

1	PS	Light blue	6	-	-
2	/PS	Light blue/ white	7	FG (Frame ground)	Shield
3	-	-	8	-	-
4	PG5V	Red	9	PG0V	Black
5	-	-	10	-	-

External Dimensions Units: mm

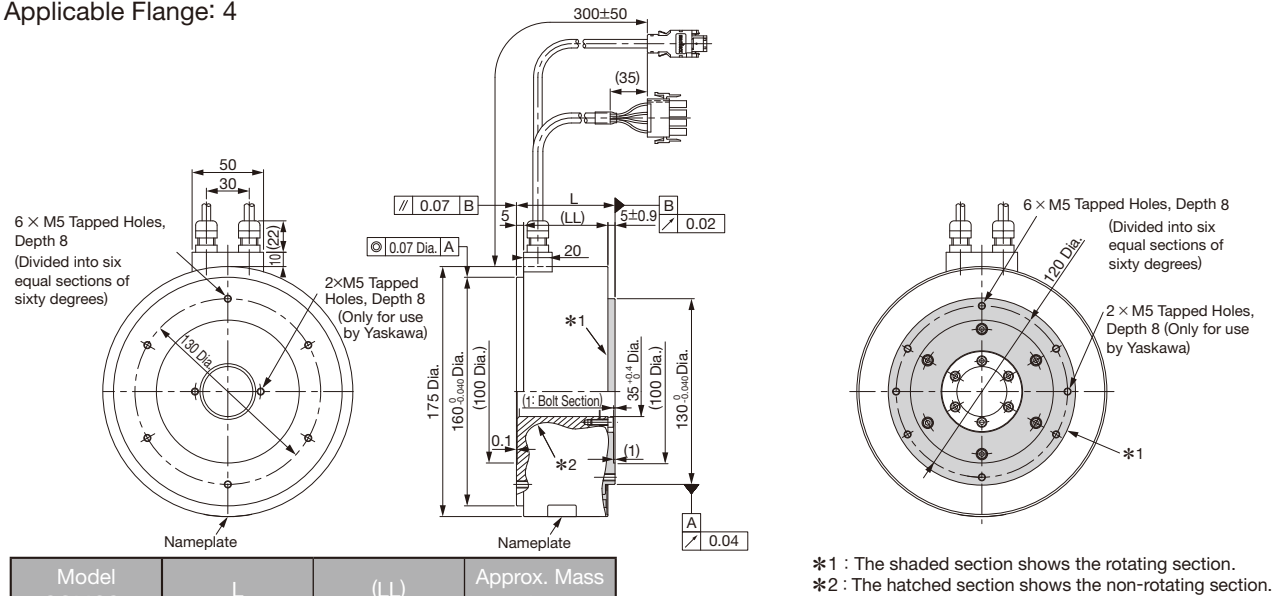
(2) Rated Torque 4.0 to 14.0 N·m (Outer Diameter 175 mm, Inner Diameter 35 mm)

• Applicable Flange: 1



Model SGMCS-	L	(LL)	Approx. Mass kg
04C□C11	69	59	7.2
10C□C11	90	80	10.2
14C□C11	130	120	14.2

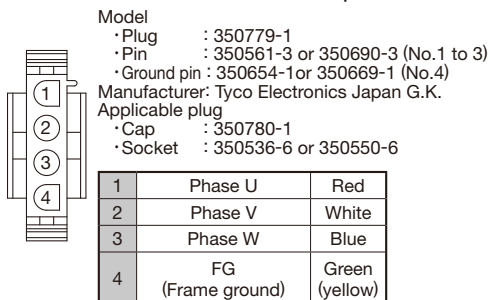
• Applicable Flange: 4



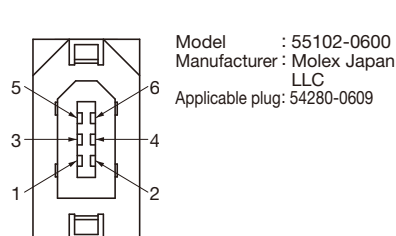
Model SGMCS-	L	(LL)	Approx. Mass kg
04C□C41	69	59	7.2
10C□C41	90	80	10.2
14C□C41	130	120	14.2

● Servomotor Connector (Applicable Flange: 4)

Servomotor-end Connector Specifications



Encoder-end Connector Specifications

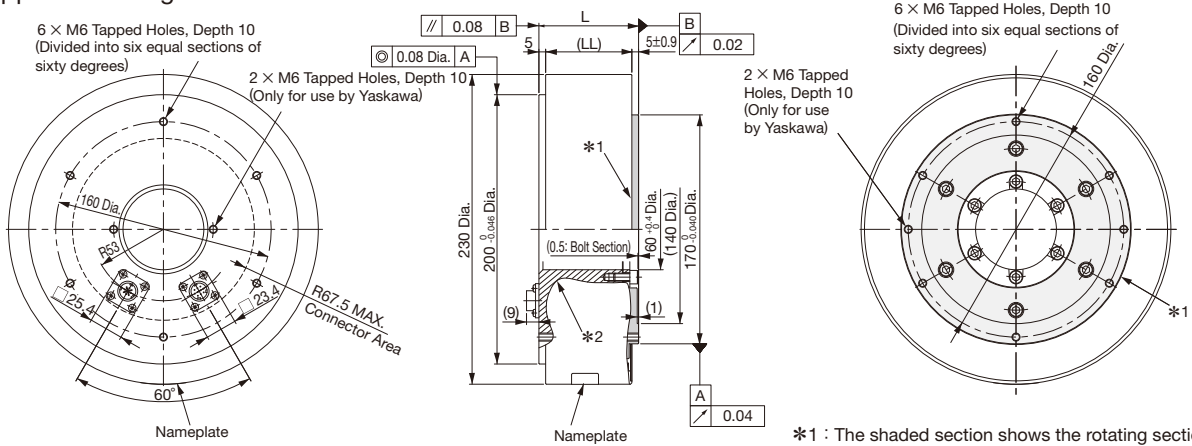


1	PG5V	Red
2	PG0V	Black
3	-	-
4	-	-
5	PS	Light blue
6	/PS	Light blue/white
Connector Case	FG (Frame ground)	Shield

External Dimensions Units: mm

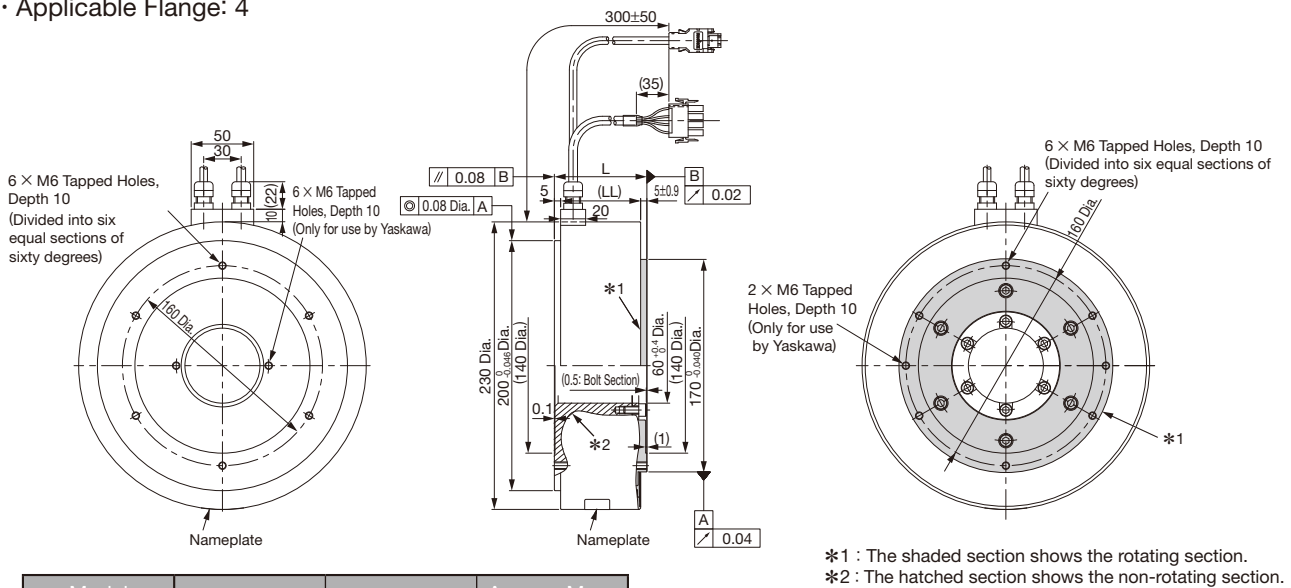
(3) Rated Torque 8.0 to 25.0 N·m (Outer Diameter 230 mm, Inner Diameter 60 mm)

• Applicable Flange: 1



Model SGMCS-	L	(LL)	Approx. Mass kg
08D□C11	74	64	14.0
17D□C11	110	100	22.0
25D□C11	160	150	29.7

• Applicable Flange: 4

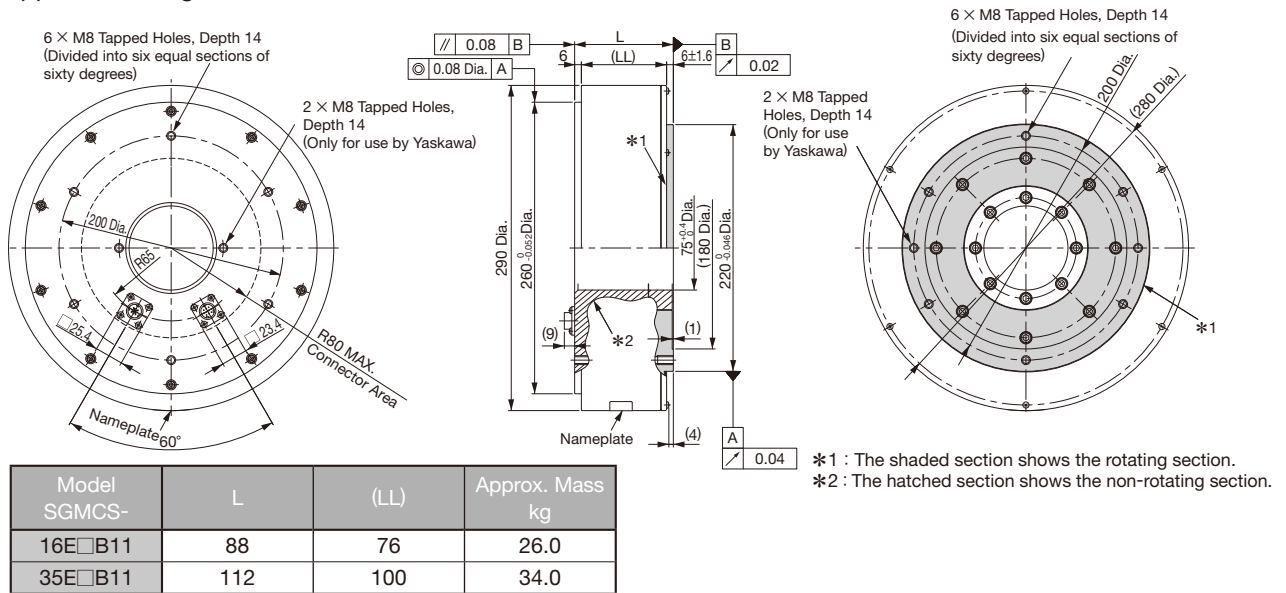


Model SGMCS-	L	(LL)	Approx. Mass kg
08D□C41	74	64	14.0
17D□C41	110	100	22.0
25D□C41	160	150	29.7

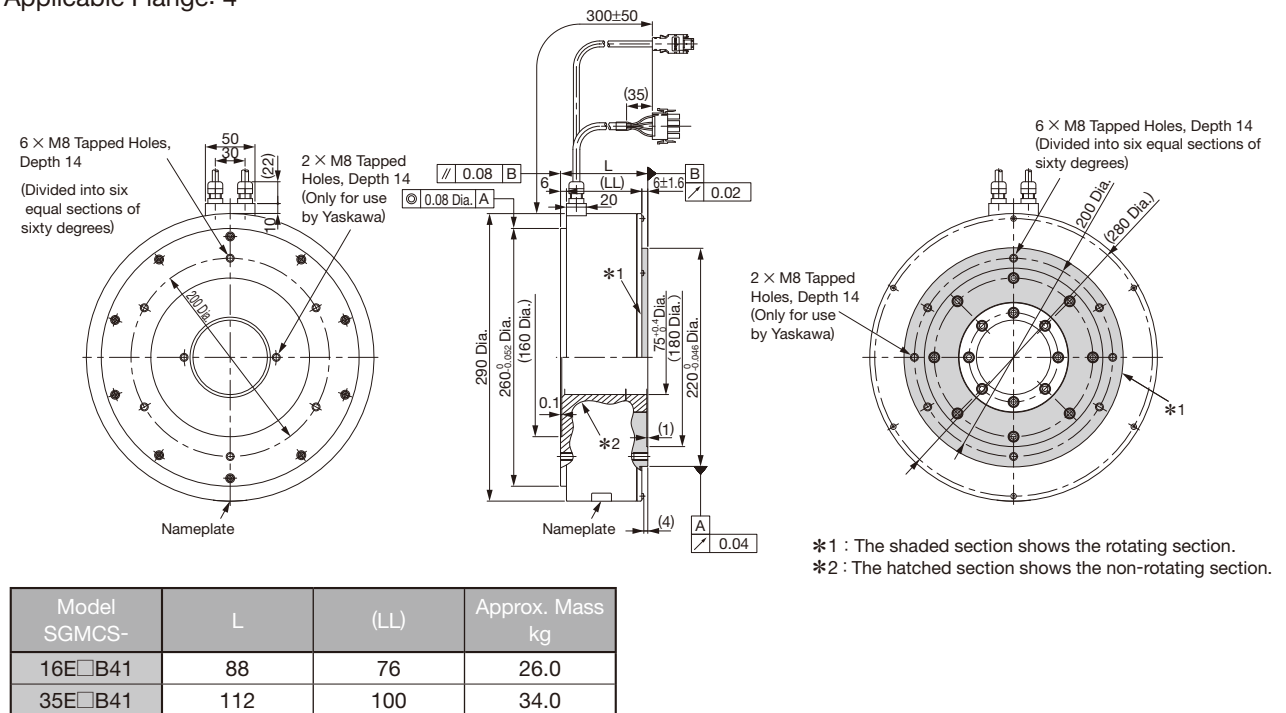
External Dimensions Units: mm

(4) Rated Torque 16.0 to 35.0 N·m (Outer Diameter 290 mm, Inner Diameter 75 mm)

• Applicable Flange: 1



• Applicable Flange: 4



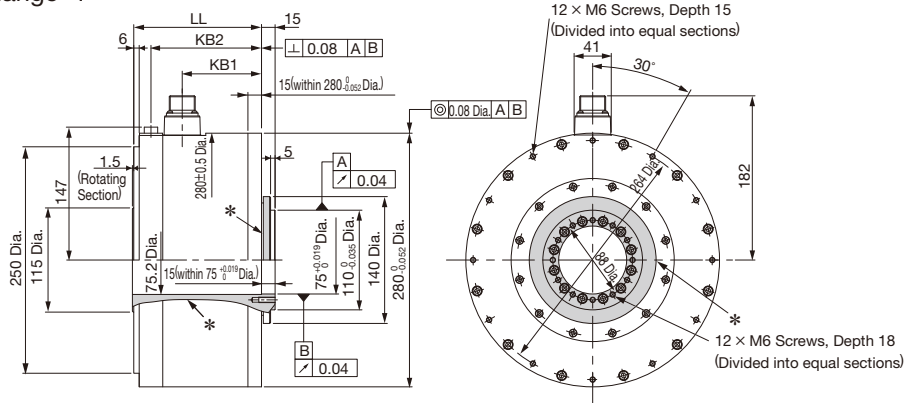
SGMCS

External Dimensions Units: mm

● Medium-capacity Series

(1) Rated Torque 45 to 110 N·m (Outer Diameter 280 mm, Inner Diameter 75 mm)

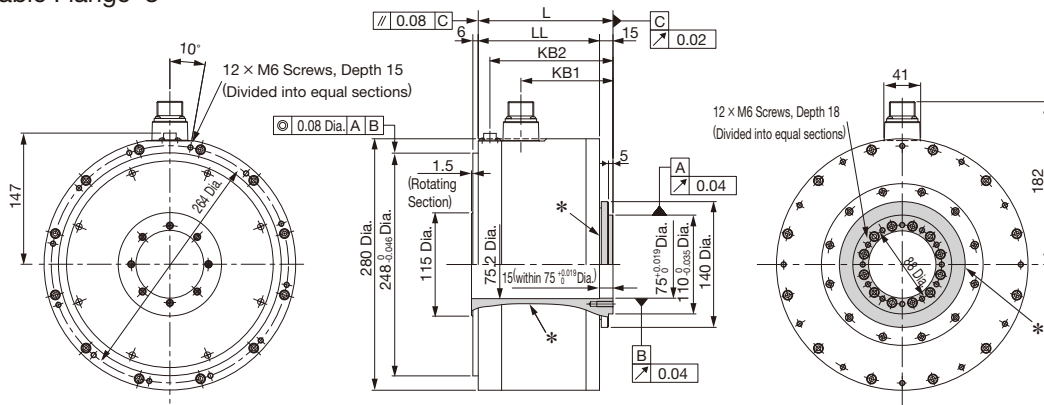
• Applicable Flange: 1



*: The shaded section shows the rotating section.

Model SGMCS-	LL	KB1	KB2	Approx. Mass kg
45M□A11	141	87.5	122	38
80M□A11	191	137.5	172	45
1AM□A11	241	187.5	222	51

• Applicable Flange: 3

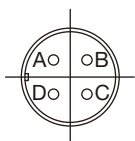


*: The shaded section shows the rotating section.

Model SGMCS-	L	LL	KB1	KB2	Approx. Mass kg
45M□A31	150	135	102.5	137	38
80M□A31	200	185	152.5	187	45
1AM□A31	250	235	202.5	237	51

● Servomotor Connector for Medium-capacity Series Servomotors (Applicable Flange: 1, 3)

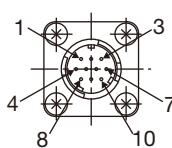
Servomotor-end Connector Specifications
(Same for All Medium-capacity Models)



Model : CE05-2A18-10PD
 Manufacturer : DDK Ltd.
 Applicable plug and cable clamp
 Plug : CE05-6A18-10SD-B-BSS
 Cable clamp : CE3057-10A-□(D265)

A	Phase U
B	Phase V
C	Phase W
D	FG (Frame ground)

Encoder-end Connector Specifications
(Same for All Medium-capacity Models)



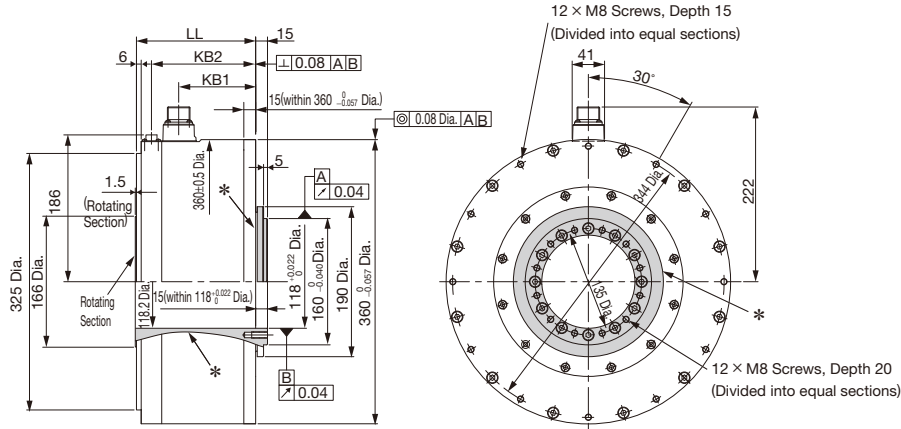
Model : JN1AS10ML1
 Manufacturer : Japan Aviation
 Electronics Industry, Ltd.
 Applicable plug : JN1DS10SL1

1	PS	6	-
2	/PS	7	FG (Frame ground)
3	-	8	-
4	PG5V	9	PG0V
5	-	10	-

External Dimensions Units: mm

(2) Rated Torque 80 to 200 N·m (Outer Diameter 360 mm, Inner Diameter 118 mm)

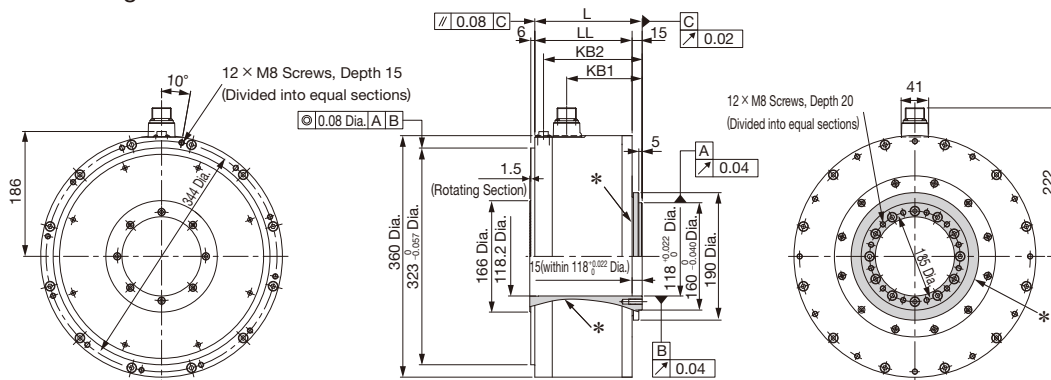
• Applicable Flange: 1



*: The shaded section shows the rotating section.

Model SGMCS-	LL	KB1	KB2	Approx. Mass kg
80N□A11	151	98	132	50
1EN□A11	201	148	182	68
2ZN□A11	251	198	232	86

• Applicable Flange: 3



*: The shaded section shows the rotating section.

Model SGMCS-	L	LL	KB1	KB2	Approx. Mass kg
80N□A31	160	145	113	147	50
1EN□A31	210	195	163	197	68
2ZN□A31	260	245	213	247	86

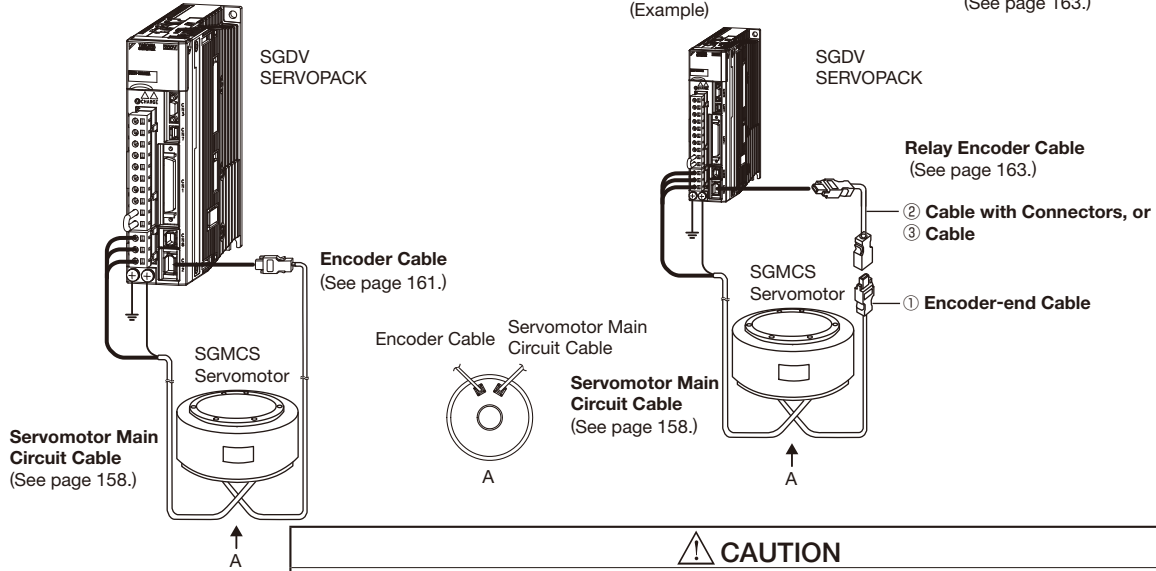
Selecting Cables

● Cables Connections

● Standard Wiring (Max. encoder cable length: 20 m)

● Encoder Cable Extension from 30 to 50 m

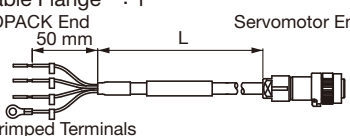
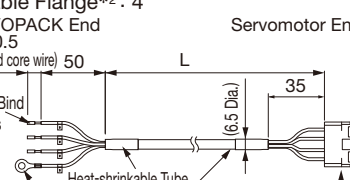

(See page 163.)



⚠ CAUTION

- Separate the servomotor main circuit cable wiring from the I/O signal cable and encoder cable at least 30 cm, and do not bundle or run them in the same duct.
- When the encoder cable length exceeds 20 m, use a relay encoder cable.
- When the main circuit cable length exceeds 20 m, note that the intermittent duty zone of the *Torque-Motor Speed Characteristics* will shrink as the line-to-line voltage drops.

● Servomotor Main Circuit Cables

Name	Length (L)	Order No.		Specifications	Details
		Standard Type	Flexible Type*1		
Small-capacity Series	Cable with Loose Wire at SERVOPACK End	3 m	JZSP-CMM60-03-E	JZSP-CSM60-03-E	Applicable Flange*2 : 1 SERVOPACK End 50 mm L Servomotor End  M4 Crimped Terminals
		5 m	JZSP-CMM60-05-E	JZSP-CSM60-05-E	
		10 m	JZSP-CMM60-10-E	JZSP-CSM60-10-E	
		15 m	JZSP-CMM60-15-E	JZSP-CSM60-15-E	
		20 m	JZSP-CMM60-20-E	JZSP-CSM60-20-E	
	Servomotor-end Connector	3 m	JZSP-CMM00-03-E	JZSP-CMM01-03-E	Applicable Flange*2 : 4 SERVOPACK End 8.5±0.5 (Exposed core wire) 50 L Servomotor End  Sheath to Bind Core Wires Heat-shrinkable Tube M4 Crimped Terminals Cable: UL2517 (AWG20×4C) Cap : 350780-1(4-pole) Socket : 350536-6(Chained)
		5 m	JZSP-CMM00-05-E	JZSP-CMM01-05-E	
		10 m	JZSP-CMM00-10-E	JZSP-CMM01-10-E	
		15 m	JZSP-CMM00-15-E	JZSP-CMM01-15-E	
		20 m	JZSP-CMM00-20-E	JZSP-CMM01-20-E	
Cables	JN1DS04FK1		Applicable Flange*2 : 1 Soldered		(2)
	JZSP-CMM9-3-E		Applicable Flange*2 : 4 Crimped Type (A crimp tool is required.)		(3)
	5 m	JZSP-CSM90-05-E	JZSP-CSM80-05-E		(4)
	10 m	JZSP-CSM90-10-E	JZSP-CSM80-10-E		
	15 m	JZSP-CSM90-15-E	JZSP-CSM80-15-E		
20 m	JZSP-CSM90-20-E	JZSP-CSM80-20-E			
50 m	JZSP-CSM90-50-E	JZSP-CSM80-50-E			
Medium-capacity Series: Cables	Contact your Yaskawa representative for cables with connectors and cables.				(5)

*1: Use flexible cables for movable sections such as robot arms.
 *2: For applicable flanges, see model designations on page 144.
 Note: SGMCS servomotors with holding brakes are not available.

Selecting Cables

(1) Small-capacity Series: Wiring Specifications for Cables

· Applicable Flange: 1

SERVOPACK End		Servomotor End	
Wire Color	Signal	Signal	Pin No.
Red	Phase U	Phase U	1
White	Phase V	Phase V	2
Blue	Phase W	Phase W	3
Green/(yellow)	FG	FG	4

· Applicable Flange: 4

SERVOPACK End		Servomotor End	
Wire Color	Signal	Signal	Pin No.
Red	Phase U	Phase U	1
White	Phase V	Phase V	2
Blue	Phase W	Phase W	3
Green/(yellow)	FG	FG	4

(2) Small-capacity Series: Servomotor-end Connector Specifications

Items	Specifications
Manufacturer	Japan Aviation Electronics Industry, Ltd.
Order No.	JN1DS04FK1 (Soldered)
Outer Diameter of Applicable Cable	5.7 dia. to 7.3 dia. mm
External Dimensions mm	

(3) Small-capacity Series: Servomotor-end Connector Kit Specifications

Items	Specifications
Manufacturer	Tyco Electronics Japan G.K.
Order No.	JZSP-CMM9-3-E
Cap	350780-1
Socket	350550-6
Applicable Wire Size	AWG20 to 14
External Dimensions mm	

Note: A crimp tool (Model no.: 90296-2) is required. Contact the respective manufacturer for more information.

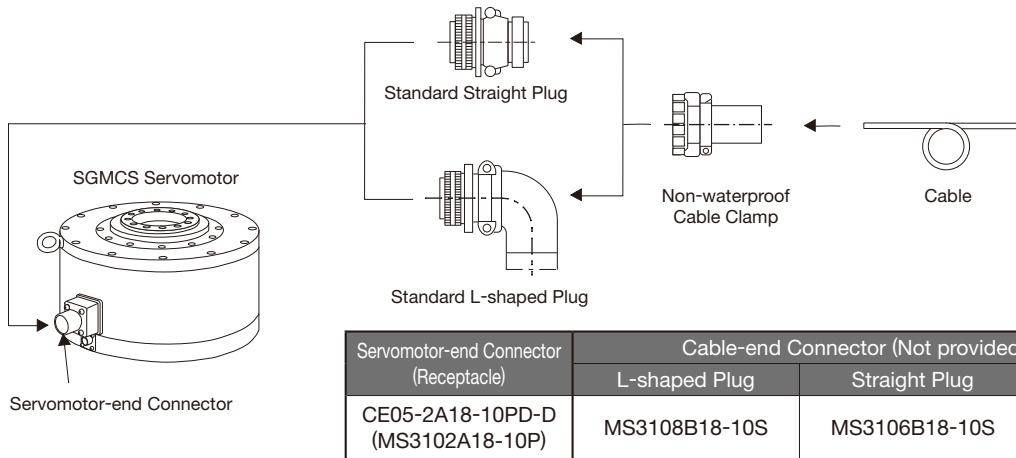
(4) Small-capacity Series: Cable Specifications

Items	Standard Type	Flexible Type
Order No.*	JZSP-CSM90-□□-E (50 m max.)	JZSP-CSM80-□□-E (50 m max.)
Specifications	UL2517 (Rating temperature: 105°C) AWG20 × 6C For power line: AWG20 (0.52 mm ²) Outer diameter of insulating sheath: 1.53 dia. mm For holding brake line: AWG20 (0.52 mm ²) Outer diameter of insulating sheath: 1.53 dia. mm	UL2517 (Rating temperature: 105°C) AWG22 × 6C For power line: AWG22 (0.33 mm ²) Outer diameter of insulating sheath: 1.37 dia. mm For holding brake line: AWG22 (0.33 mm ²) Outer diameter of insulating sheath: 1.37 dia. mm
Finished Dimensions	7 ± 0.3 mm	
Internal Configuration and Lead Color		
Yaskawa Standard Specifications (Standard Length)	Cable length : 5 m, 10 m, 15 m, 20 m, 50 m	

*: Specify the cable length □□ of order no.
Example: JZSP-CSM90-15-E (15 m)

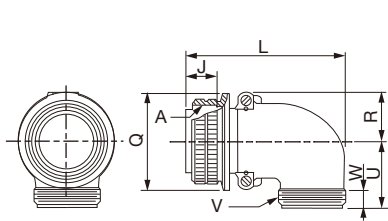
Selecting Cables

(5) Medium-capacity Series (SGMCS-□□M and N): Connector Specifications



Notes: 1 Servomotor-end connectors (receptacles) are RoHS-compliant. Contact the respective connector manufacturers for RoHS-compliant cable-end connectors (not provided by Yaskawa).
 2 Servomotor-end connectors (receptacles) can be used with MS plugs. For the model number of the MS receptacle, refer to the receptacle number in parentheses and select the appropriate plug.

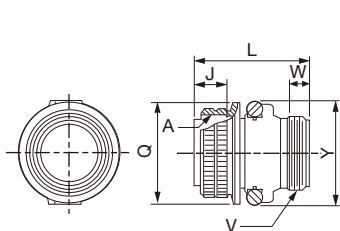
• Dimensional Drawings: MS3108B L-shaped Plug Shell



Units: mm

Model No.	Shell Size	Joint Screw A	Length of Joint Portion J ±0.12	Overall Length L Max.	Outer Diameter of Joint Nut Q ⁺⁰ _{-0.38}	R ±0.5	U ±0.5	Cable Clamp Set Screw V	Effective Screw Length W Min.
MS 3108B	18	1 1/8-18UNEF	18.26	68.27	34.13	20.5	30.2	1-20UNEF	9.53

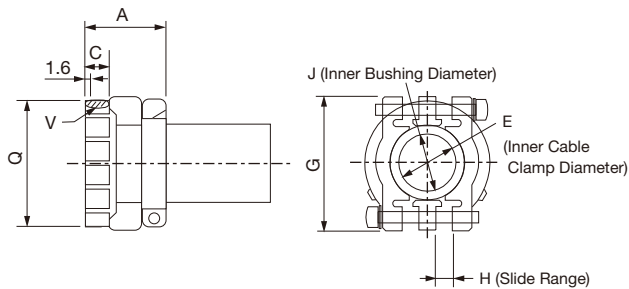
• Dimensional Drawings: MS3106B Straight Plug Shell



Units: mm

Model No.	Shell Size	Joint Screw A	Length of Joint Portion J ±0.12	Overall Length L Max.	Outer Diameter of Joint Nut Q ⁺⁰ _{-0.38}	Cable Clamp Set Screw V	Effective Screw Length W Min.	Maximum Width Y Max.
MS 3106B	18	1 1/8-18UNEF	18.26	52.37	34.13	1-20UNEF	9.53	42

• Dimensional Drawings: MS3057-10A Cable Clamp with Rubber Bushing

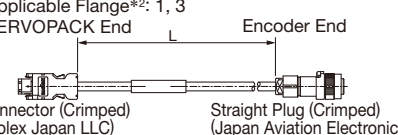
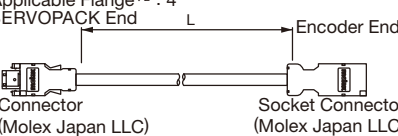
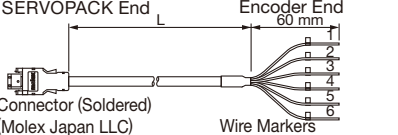
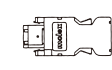

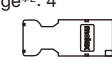
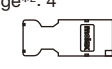



Units: mm

Model No.	Applicable Connector Shell Size	Overall Length A ±0.7	Effective Screw Length C	E	G ±0.7	H	J	Set Screw V	Outer Diameter Q ±0.7	Attached Bushing
MS3057-10A	18	23.8	10.3	15.9	31.7	3.2	14.3	1-20UNEF	30.1	AN3420-10

Selecting Cables

Encoder Cables and Connectors (Max. length: 20 m)

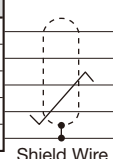
Name	Length (L)	Order No.		Specifications	Details	
		Standard Type	Flexible Type*1			
Cable with Connectors (For Incremental and Absolute Encoder)	3 m	JZSP-CMP60-03-E	JZSP-CSP60-03-E	Applicable Flange*2: 1, 3 SERVOPACK End  Encoder End Connector (Crimped) (Molex Japan LLC) Straight Plug (Crimped) (Japan Aviation Electronics Industry, Ltd.)	(1)	
	5 m	JZSP-CMP60-05-E	JZSP-CSP60-05-E			
	10 m	JZSP-CMP60-10-E	JZSP-CSP60-10-E			
	15 m	JZSP-CMP60-15-E	JZSP-CSP60-15-E			
	20 m	JZSP-CMP60-20-E	JZSP-CSP60-20-E			
	Cable with Loose Wire at Encoder End (For Incremental and Absolute Encoder)	3 m	JZSP-CMP00-03-E	JZSP-CMP10-03-E	Applicable Flange*2: 4 SERVOPACK End  Encoder End Connector (Molex Japan LLC) Socket Connector (Molex Japan LLC)	(2)
		5 m	JZSP-CMP00-05-E	JZSP-CMP10-05-E		
		10 m	JZSP-CMP00-10-E	JZSP-CMP10-10-E		
		15 m	JZSP-CMP00-15-E	JZSP-CMP10-15-E		
		20 m	JZSP-CMP00-20-E	JZSP-CMP10-20-E		
Cable with Loose Wire at Encoder End (For Incremental and Absolute Encoder)	3 m	JZSP-CMP03-03-E	JZSP-CMP13-03-E	SERVOPACK End  Encoder End Connector (Soldered) (Molex Japan LLC) Wire Markers 60 mm	(3)	
	5 m	JZSP-CMP03-05-E	JZSP-CMP13-05-E			
	10 m	JZSP-CMP03-10-E	JZSP-CMP13-10-E			
	15 m	JZSP-CMP03-15-E	JZSP-CMP13-15-E			
	20 m	JZSP-CMP03-20-E	JZSP-CMP13-20-E			
SERVOPACK-end Connector Kit		JZSP-CMP9-1-E		Soldered  (Molex Japan LLC)	(4)	
Encoder-end Connector Kit		JN1DS10SL1 (Straight Plug)		Applicable Flange*2: 1, 3 Crimped Type (A crimp tool is required.)  (Japan Aviation Electronics Industry, Ltd.)		
		JN1-22-22S-PKG100 (Socket Contact)		Applicable Flange*2: 4 Soldered  (Molex Japan LLC)		
		JZSP-CMP9-2-E		Applicable Flange*2: 4 Soldered  (Molex Japan LLC)		
Cables	5 m	JZSP-CMP09-05-E	JZSP-CSP39-05-E		(5)	
	10 m	JZSP-CMP09-10-E	JZSP-CSP39-10-E			
	15 m	JZSP-CMP09-15-E	JZSP-CSP39-15-E			
	20 m	JZSP-CMP09-20-E	JZSP-CSP39-20-E			

*1: Use flexible cables for movable sections such as robot arms.
*2: For applicable flanges, see model designations on page 144.

(1) Wiring Specifications for Cable with Connectors

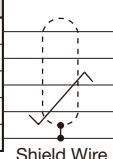
- Applicable Flange: 1, 3
(Standard type)

SERVOPACK End		Encoder End	
Pin No.	Signal	Pin No.	Wire Color
1	PG5V	4	Red
2	PG0V	9	Black
5	PS	1	Light blue
6	/PS	2	Light blue/white
Shell	FG	7	FG Shield wire



- (Flexible type)

SERVOPACK End		Encoder End	
Pin No.	Signal	Pin No.	Wire Color
1	PG5V	4	Orange
2	PG0V	9	Green
5	PS	1	Black/light blue
6	/PS	2	Red/light blue
Shell	FG	7	FG Shield wire

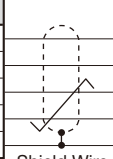


Note: Be sure to connect the shield wire of encoder cable to the connector case (shell).

(2) Wiring Specifications for Cable with Connectors

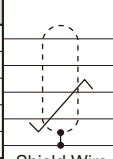
- Applicable Flange: 4
(Standard type)

SERVOPACK End		Encoder End	
Pin No.	Signal	Pin No.	Wire Color
1	PG5V	1	Red
2	PG0V	2	Black
5	PS	5	Light blue
6	/PS	6	Light blue/white
Shell	FG	7	FG Shield wire



- (Flexible type)

SERVOPACK End		Encoder End	
Pin No.	Signal	Pin No.	Wire Color
1	PG5V	1	Orange
2	PG0V	2	Green
5	PS	5	Red/light blue
6	/PS	6	Black/light blue
Shell	FG	7	FG Shield wire



Note: Be sure to connect the shield wire of encoder cable to the connector case (shell).

Selecting Cables

(3) Wiring Specifications for Cable with Loose Wire at Encoder End

(Standard type)

SERVOPACK End		Encoder End	
Pin No.	Signal	Wire Color	Marker
6	/PS	Light blue/white	6
5	PS	Light blue	5
4	BAT(-)	Orange/white	4
3	BAT(+)	Orange	3
2	PG0V	Black	2
1	PG5V	Red	1
Shell	FG		

(Flexible type)

SERVOPACK End		Encoder End	
Pin No.	Signal	Wire Color	Marker
1	PG5V	Orange	1
2	PG0V	Green	2
3	BAT(+)	Red/pink	3
4	BAT(-)	Black/pink	4
5	PS	Red/light blue	5
6	/PS	Black/light blue	6
Shell	FG		

Notes: 1 The signals BAT(+) and BAT(-) are not needed when using SGMCS servomotors.
2 Be sure to connect the shield wire of encoder cable to the connector case (shell).

(4) SERVOPACK-end/Encoder-end Connector Kit Specifications

Items	SERVOPACK-end Connector Kit	Encoder-end Connector Kit	
Order No.	JZSP-CMP9-1-E (Cables are not included.)	From Japan Aviation Electronics Industry Ltd. Tools are not included.	JZSP-CMP9-2-E (Cables are not included.)
Manufacturer	Molex Japan LLC	Japan Aviation Electronics Industry, Ltd.	Molex Japan LLC
Specifications	55100-0670 (soldered) Product Specification : PS-54280 Note: 55100-0670 (soldered) when using a connector kit	Straight plug: JN1DS10SL1 (crimped) Socket contact type: JN1-22-22S-PKG100 Outer diameter of applicable cable : 5.7 dia. to 7.3 dia. mm Applicable wire size: AWG21 to 25 Outer diameter of insulating sheath: 0.8 dia. to 1.5 dia. mm Crimp tool (hand tool) model: CT150-2-JN	54280-0609 (Soldered) Product Specification : PS-54280
External Dimensions (Units: mm)			

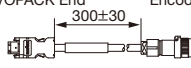
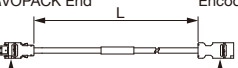

(5) Cable Specifications

Items	Standard Type	Flexible Type
Order No.*	JZSP-CMP09-□□-E	JZSP-CSP39-□□-E
Cable Length	20 m max.	
Specifications	UL20276 (Rating temperature: 80°C) AWG22×2C+AWG24×2P AWG22 (0.33 mm ²) Outer diameter of insulating sheath: 1.15 dia. mm AWG24 (0.20 mm ²) Outer diameter of insulating sheath: 1.09 dia. mm	UL20276 (Rating temperature: 80°C) AWG22×2C+AWG24×2P AWG22 (0.33 mm ²) Outer diameter of insulating sheath: 1.35 dia. mm AWG24 (0.20 mm ²) Outer diameter of insulating sheath: 1.21 dia. mm
Finished Dimensions	6.5 dia. mm	6.8 dia. mm
Internal Configuration and Lead Colors		
Yaskawa Standard Specifications (Standard Length)	Cable length: 5 m, 10 m, 15 m, 20 m	

* Specify the cable length in □□ of order no.
Example: JZSP-CMP09-05-E (5 m)

Selecting Cables

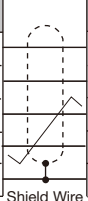
● Relay Encoder Cables (For extending from 30 to 50 m)

Name	Length	Order No. Standard Type	Specifications	Details
① Encoder-end Cables (For incremental and absolute encoder)	0.3 m	JZSP-CSP15-E	Applicable Flange*: 1, 3 SERVOPACK End Encoder End  Plug Connector (Soldered) Plug (Molex Japan LLC) (Japan Aviation Electronics Industry, Ltd.)	(1)
② Cable with Connectors (For incremental and absolute encoder)	30 m	JZSP-UCMP00-30-E	Applicable Flange*: 4 SERVOPACK End Encoder End  Plug Connector (Crimped) Socket Connector (Soldered) (Molex Japan LLC) (Molex Japan LLC)	(2)
	40 m	JZSP-UCMP00-40-E		
	50 m	JZSP-UCMP00-50-E		
③ Cables	30 m	JZSP-CMP19-30-E		(3)
	40 m	JZSP-CMP19-40-E		
	50 m	JZSP-CMP19-50-E		

*: For applicable flanges, see model designations on page 144.

(1) Wiring Specifications for Encoder-end Cable

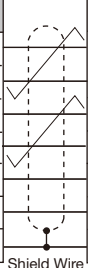
SERVOPACK End		Encoder End	
Pin No.	Signal	Pin No.	Wire Color
1	PG 5V	4	Red
2	PG 0V	9	Black
5	PS	1	Light blue
6	/PS	2	Light blue/white
Shell	FG	7	FG Shield wire



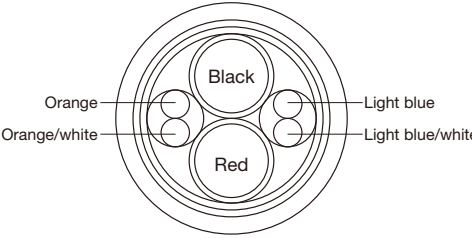
Note: Be sure to connect the shield wire of encoder cable to the connector case (shell).

(2) Wiring Specifications for Cable with Connectors

SERVOPACK End		Encoder End	
Pin No.	Signal	Pin No.	Wire Color
6	/PS	6	Light blue/white
5	PS	5	Light blue
4	BAT (-)	4	Orange/white
3	BAT (+)	3	Orange
2	PG 0V	2	Black
1	PG 5V	1	Red
Shell	FG	Shell	FG



(3) Cable Specifications

Items	Standard Type
Order No.*	JZSP-CMP19-□□-E
Cable Length	50 m max.
Specifications	UL20276 (Rating temperature: 80°C) AWG16×2C+AWG26×2P AWG16 (1.31 mm ²) Outer diameter of insulating sheath: 2.0 dia.mm AWG26 (0.13 mm ²) Outer diameter of insulating sheath: 0.91 dia. mm
Finished Dimensions	6.8 dia. mm
Internal Configuration and Lead Colors	
Yaskawa Standard Specifications (Standard Length)	Cable length: 30 m, 40 m, 50 m

* Specify the cable length in □□ of order no.
Example: JZSP-CMP19-30-E (30 m)

Direct Drive Servomotors

SGMVCV



Model Designations

SGMVCV - 04 B E A 1 1

Direct Drive
Servomotor
SGMVCV

1st+2nd
digits

3rd
digit

4th
digit

5th
digit

6th
digit

7th
digit

1st+2nd
digits Rated Torque

Code	Specifications
04	4.0 N·m
08	8.0 N·m
10	10 N·m
14	14 N·m
16	16 N·m
17	17 N·m
25	25 N·m
35	35 N·m

4th digit Serial Encoder

Code	Specifications
E	22-bit single-turn absolute encoder
I	22-bit multiturn absolute encoder

5th digit Design Revision Order

A

6th digit Flange Specifications

Code	Specifications
1	Non-load side
4	Non-load side (with cable on side)

7th digit Option

Code	Specifications
1	Without options
5	High machine precision (runout at end of shaft and runout of shaft surface: 0.01 mm)

3rd digit Motor Outer Diameter

Code	Specifications
B	135 dia. mm
C	175 dia. mm
D	230 dia. mm

Features

- Directly coupled to a load without a mechanical transmission such as a gear.
- Powerful and smooth operation throughout the speed range from low to high.
(Instantaneous peak torque: 12 to 105 N·m
maximum speed: 400 to 600 min⁻¹)
- High-resolution, 22-bit encoder for highly precise indexing.
- Easy wiring and piping with the hollow structure.

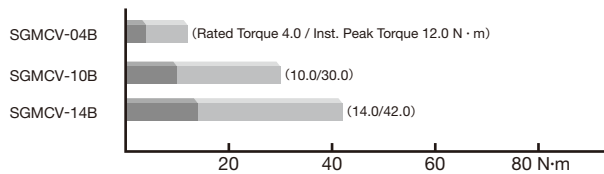
Application Examples

- Semiconductor equipment
- LCD manufacturing equipment
- Units for inspection and testing
- Electronic parts assembling machines
- IC handlers
- Inspection units for integrated circuits
- Automated machines
- Robots

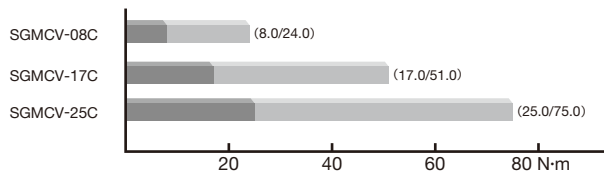
Rated Torque / Peak Torque



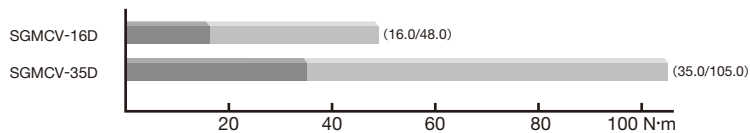
Outer Diameter 135 mm, Inner Diameter 25 mm



Outer Diameter 175 mm, Inner Diameter 40 mm



Outer Diameter 230 mm, Inner Diameter 60 mm



Ratings and Specifications

● Specifications

Time Rating: Continuous

Vibration Class: V15

Insulation Resistance: 500 VDC, 10 MΩ min.

Ambient Temperature: 0 to 40°C

Excitation: Permanent magnet

Mounting: Flange method

Thermal Class: F

Withstand Voltage: 1500 VAC for one minute

Enclosure: Totally enclosed, self-cooled, IP42
(except for shaft opening)

Ambient Humidity: 20% to 80% (no condensation)

Drive Method: Direct drive

Rotation Direction: Counterclockwise (CCW) with forward run reference
when viewed from the load side

Voltage		200 V							
Servomotor Model SGMCV-□□□□□		04B	10B	14B	08C	17C	25C	16D	35D
Rated Output*1	W	126	314	440	251	534	785	503	1100 1000*3
Rated Torque*1, *2	N·m	4.00	10.0	14.0	8.00	17.0	25.0	16.0	35.0
Instantaneous Peak Torque*1	N·m	12.0	30.0	42.0	24.0	51.0	75.0	48.0	105
Stall Torque*1	N·m	4.00	10.0	14.0	8.00	17.0	25.0	16.0	35.0
Rated Current*1	Arms	2.0	2.8	4.6	2.4	4.5		5.0	
Instantaneous Max. Current*1	Arms	6.4	8.9	14.1	8.6	14.7	13.9	16.9	16.0
Rated Speed*1	min ⁻¹	300			300				300 270*3
Max. Speed*1	min ⁻¹	600			600		500	600	400
Torque Constant	N·m/Arms	2.21	3.81	3.27	3.52	4.04	6.04	3.35	7.33
Rotor Moment of Inertia	×10 ⁻⁴ kg·m ²	16.2	25.2	36.9	56.5	78.5	111	178	276
Rated Power Rate*1	kW/s	9.88	39.7	53.1	11.3	36.8	56.3	14.4	44.4
Rated Angular Acceleration*1	rad/s ²	2470	3970	3790	1420	2170	2250	899	1270
Absolute Accuracy	second	± 15							
Repeatability	second	± 1.3							
Applicable SERVOPACK	SGDV-□□□□	2R8□		5R5A	2R8□	5R5A	7R6A	5R5A	7R6A*3 120A

*1: These items and torque-motor speed characteristics quoted in combination with a SERVOPACK are at an armature winding temperature of 100°C. Other values quoted at 20°C.

*2: Rated torques are continuous allowable torque values at 40°C with a steel heat sink of the following dimensions attached.
SGMVCV-04B, 10B, 14B : 350 × 350 × 12 (mm) SGMVCV-08C, 17C, 25C : 450 × 450 × 12 (mm) SGMVCV-16D, 35D : 550 × 550 × 12 (mm)

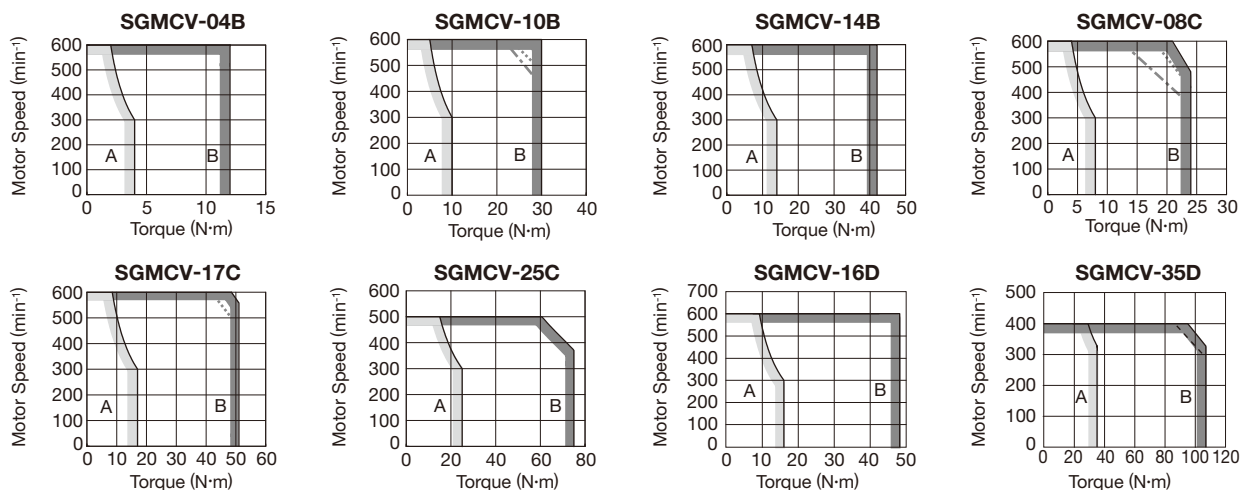
*3: If you use an SGD7S-7R6A SERVOPACK and SGMCV-35D Servomotor together, use this value (a derated value).

Notes: 1 SGMCV servomotor with holding brake is not available.

2 For the bearings used in SGMCS servomotors, loss varies according to the bearing temperature. At low temperatures, the amount of heat loss will be large.

● Torque-Motor Speed Characteristics

A : Continuous Duty Zone **B** : Intermittent Duty Zone



Notes: 1 Differs depending on the supply voltage. The solid and dotted lines indicate the characteristics when a servomotor runs with the following combinations:

- The solid line: With a three-phase 200 V or a single-phase 230 V SERVOPACK
- The dotted line: With a single-phase 200 V SERVOPACK
- The dashed-dotted line: With a single-phase 100 V SERVOPACK

The SGMCV-04B and -14B servomotors combined with a single-phase 200 V SERVOPACK and single-phase 100 V SERVOPACK has the same characteristics as one combined with a three-phase 200 V SERVOPACK.

2 When the effective torque is within the rated torque, the servomotor can be used within the intermittent duty zone.

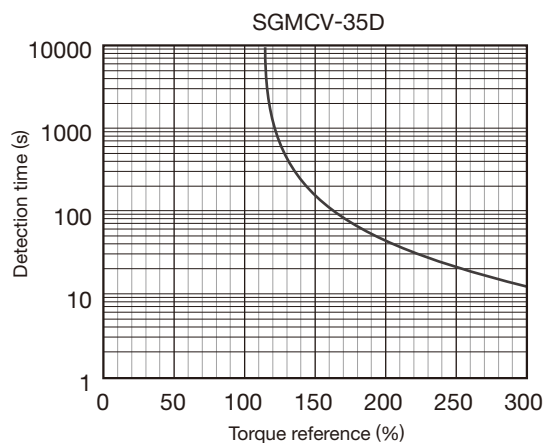
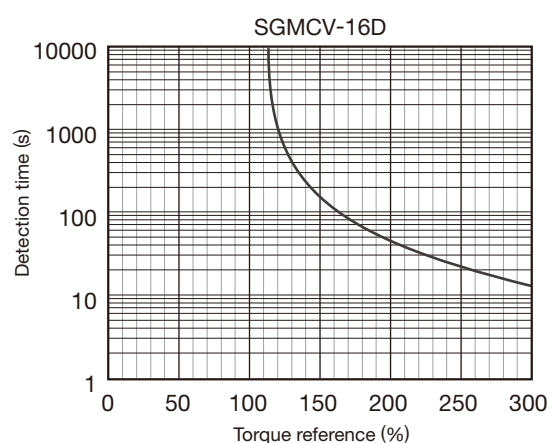
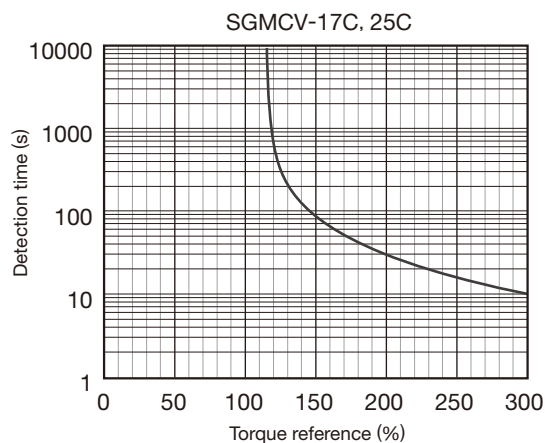
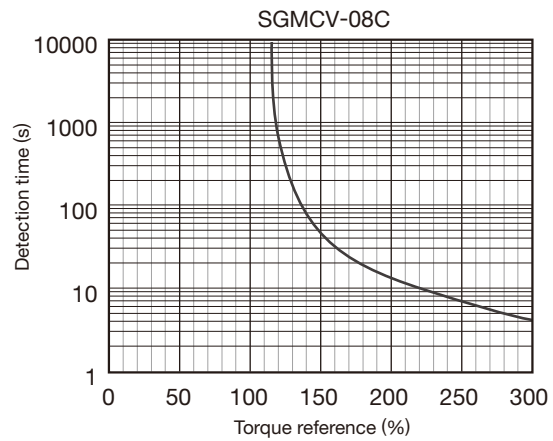
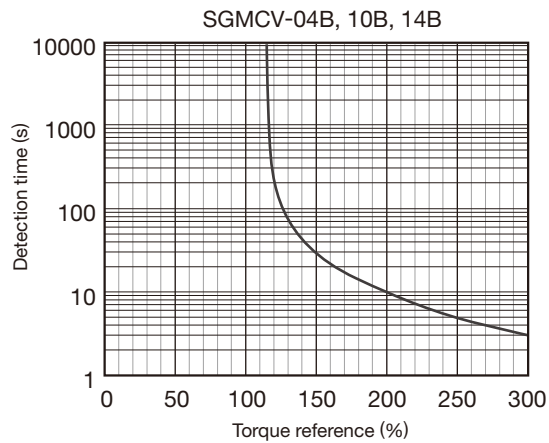
3 When the main circuit cable length exceeds 20 m, note that the intermittent duty zone of the *Torque-Motor Speed Characteristics* will shrink as the line-to-line voltage drops.

4 Contact your Yaskawa representative for information on the SGMCV-25C.

Ratings and Specifications

● Servomotor Overload Protection Characteristics

The overload detection level is set under hot start conditions at a servomotor ambient temperature of 40° C.



Note: Overload characteristics shown above do not guarantee continuous duty of 100% or more output. Use a servomotor with effective torque within the continuous duty zone of *Torque-Motor Speed Characteristics* on the previous page.

● Allowable Load Moment of Inertia at the Motor Shaft

Servomotor Model SGMCV-	Rated Torque N·m	Allowable Load Moment of Inertia (Rotor Moment of Inertia Ratio)	Servomotor Model SGMCV-	Rated Torque N·m	Allowable Load Moment of Inertia (Rotor Moment of Inertia Ratio)
04B	4.00	25 times	17C	17.0	25 times
10B	10.0	40 times	25C	25.0	25 times
14B	14.0	45 times	16D	16.0	10 times
08C	8.00	15 times	35D	35.0	15 times

Ratings and Specifications

● Load Moment of Inertia

The larger the load moment of inertia, the worse the movement response.

The allowable load moment of inertia (J_L) depends on the motor capacity, as shown above. This value is provided strictly as a guideline and results may vary depending on servomotor drive conditions.

Use the AC servo drive capacity selection program SigmaSize+ to check the operation conditions.

The program can be downloaded for free from our web site (<http://www.e-mechatronics.com/>).

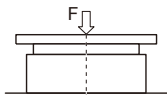
An overvoltage alarm (A.400) is likely to occur during deceleration if the load moment of inertia exceeds the allowable load moment of inertia. SERVOPACKs with a built-in regenerative resistor may generate a regenerative overload alarm (A.320). Take one of the following steps if this occurs.

- Reduce the torque limit.
- Reduce the deceleration rate.
- Reduce the maximum speed.
- Install an external regenerative resistor if the alarm cannot be cleared using the steps above. Refer to *Regenerative Resistors* on page 375.

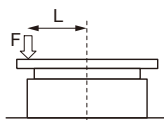
Mechanical Specifications

● Allowable Loads

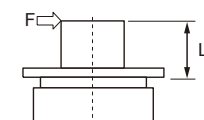
The loads applied while a servomotor is running are roughly classified in the following patterns. Design the machine so that the thrust load and moment load will not exceed the values in the table.



Where F is external force,
Thrust load = $F + \text{Load mass}$
Moment load = 0



Where F is external force,
Thrust load = $F + \text{Load mass}$
Moment load = $F \times L$



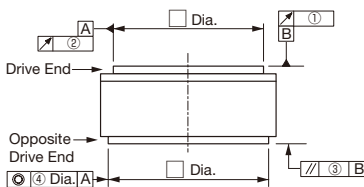
Where F is external force,
Thrust load = Load mass
Moment load = $F \times L$

Servomotor Model SGMCV- □	04B	10B	14B	08C	17C	25C	16D	35D
Allowable Thrust Load	N	1500			3300		4000	
Allowable Moment Load	N·m	45	55	65	92	98	110	225

● Mechanical Tolerance

The tolerances for the servomotor's output shaft and installation area are as follows.

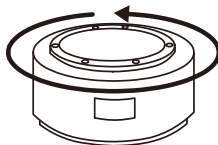
See the dimensional drawing of the individual servomotor for more details on tolerances.



- ① Run-out of the Surface of the Shaft: 0.02 (0.01 for high machine precision option)
- ② Run-out at the End of the Shaft: 0.04 (0.01 for high machine precision option)
- ③ Parallelism between the Flange Face and Output Shaft: 0.07
- ④ Coaxiality of Output Axis and Mounting Socket Joint: 0.07

● Direction of Rotation

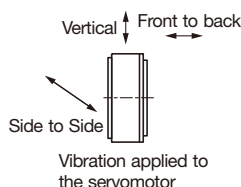
Positive rotation of the servomotor is counterclockwise when viewed from the load.



● Vibration Resistance

Mount the servomotor with the axis horizontal.

The servomotor will withstand the following vibration acceleration in three directions: Vertical, side to side, and front to back.

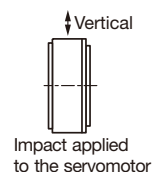


- Vibration Acceleration at Flange: 49m/s²

● Impact Resistance

Mount the servomotor with the axis horizontal. The servomotor will withstand the following vertical impacts:

- Impact Acceleration: 490 m/s²
- Number of Impacts: 2



● Vibration Class

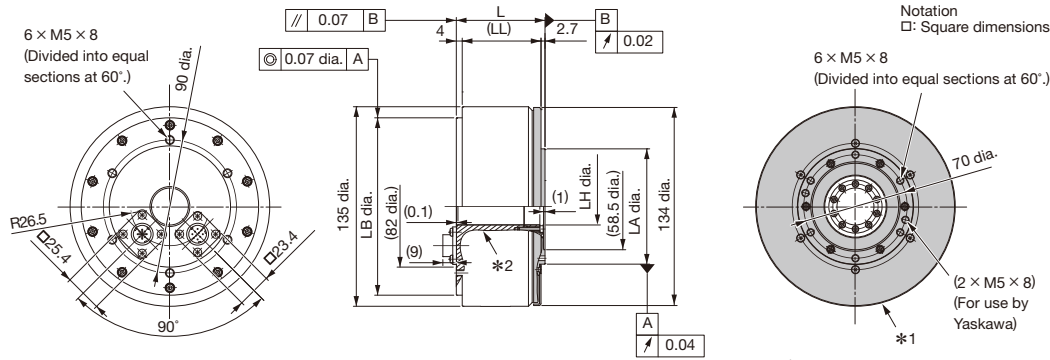
The vibration class at rated motor speed is V15. (A vibration class of V15 indicates a total vibration amplitude of 15 μm maximum on the servomotor during rated rotation.)

External Dimensions Units: mm

● **Motors**

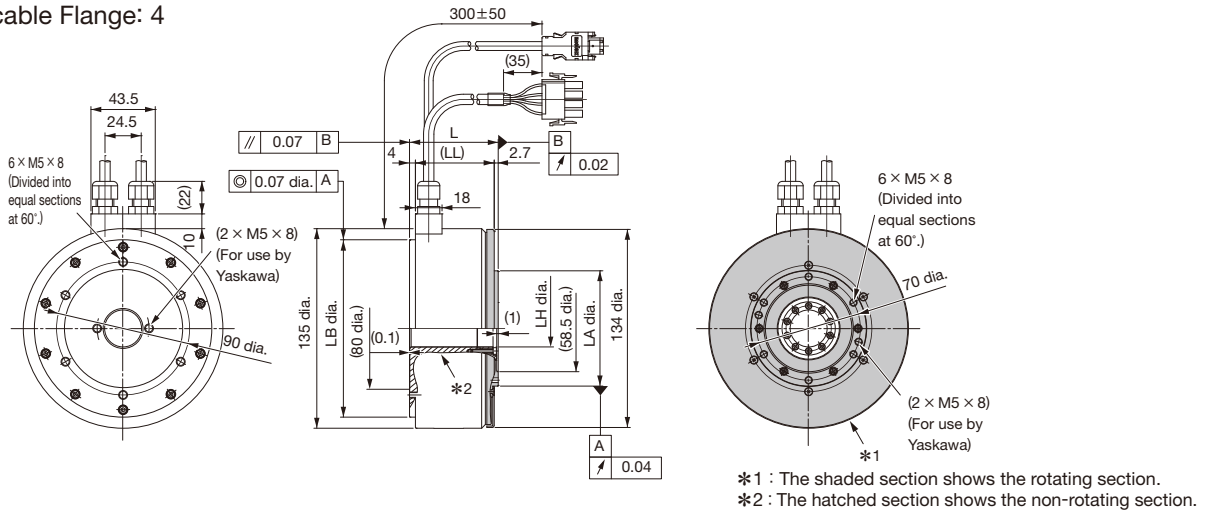
(1) Rated Torque 4.0 to 14.0 N·m (Outer Diameter 120 mm, Inner Diameter 25 mm)

· Applicable Flange: 1



Model SGMCV-	L	(LL)	LB	LH	LA	Approx. Mass kg
04B□A11	60	53.3	120 ⁰ _{-0.035}	25 ^{+0.3} _{+0.1}	78 ⁰ _{-0.030}	5.0
10B□A11	85	78.3	120 ⁰ _{-0.035}	25 ^{+0.3} _{+0.1}	78 ⁰ _{-0.030}	6.5
14B□A11	115	108.3	120 ⁰ _{-0.035}	25 ^{+0.3} _{+0.1}	78 ⁰ _{-0.030}	9.0

· Applicable Flange: 4



Model SGMCV-	L	(LL)	LB	LH	LA	Approx. Mass kg
04B□A41	60	53.3	120 ⁰ _{-0.035}	25 ^{+0.3} _{+0.1}	78 ⁰ _{-0.030}	5.0
10B□A41	85	78.3	120 ⁰ _{-0.035}	25 ^{+0.3} _{+0.1}	78 ⁰ _{-0.030}	6.5
14B□A41	115	108.3	120 ⁰ _{-0.035}	25 ^{+0.3} _{+0.1}	78 ⁰ _{-0.030}	9.0

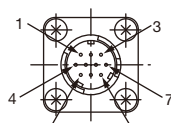
● **Servomotor Connector (Applicable Flange: 1)**
Servomotor-end Connector Specifications



Model: JN1AS04MK2R
Manufacturer: Japan Aviation Electronics Industry, Ltd.
Applicable plug: JN1DS04FK1
(Provided by the customer.)

1	Phase U	Red
2	Phase V	White
3	Phase W	Blue
4	FG (Frame ground)	Green (yellow)

Encoder-end Connector Specifications



Model: JN1AS10ML1
Manufacturer: Japan Aviation Electronics Industry, Ltd.
Applicable plug: JN1DS10SL1
(Provided by the customer.)

1	PS	Light blue	6	-	-
2	/PS	Light blue/white	7	FG (Frame ground)	Shield
3	-	-	8*	BAT	Orange
4	PG5V	Red	9	PG0V	Black
5*	BAT0	Orange/white	10	-	-

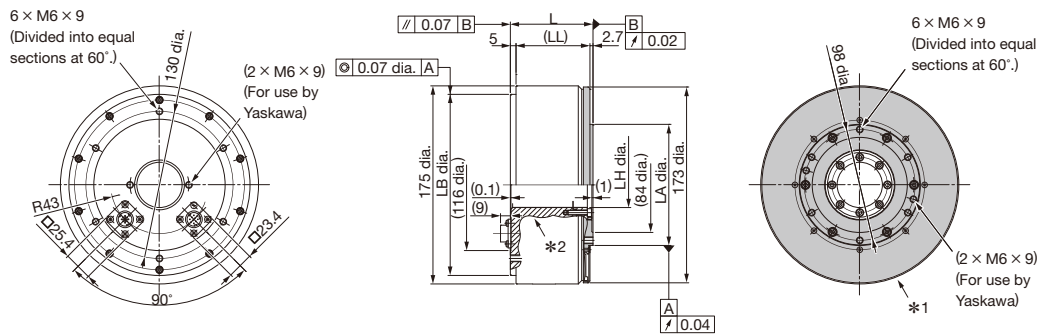
*: A battery is required only for a multeturn absolute encoder.

SGMCV

External Dimensions Units: mm

(2) Rated Torque 8.0 to 25.0 N·m (Outer Diameter 160 mm, Inner Diameter 40 mm)

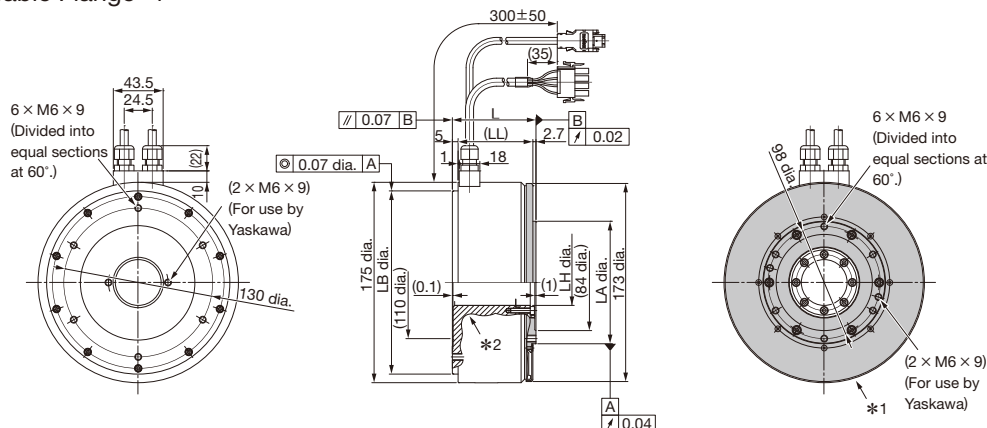
· Applicable Flange: 1



*1 : The shaded section shows the rotating section.
*2 : The hatched section shows the non-rotating section.

Model SGMCV-	L	(LL)	LB	LH	LA	Approx. Mass kg
08C□A11	73	65.3	160 ⁰ _{-0.040}	40 ^{+0.3} _{+0.1}	107 ⁰ _{-0.035}	9.0
17C□A11	87	79.3	160 ⁰ _{-0.040}	40 ^{+0.3} _{+0.1}	107 ⁰ _{-0.035}	11.0
25C□A11	117	109.3	160 ⁰ _{-0.040}	40 ^{+0.3} _{+0.1}	107 ⁰ _{-0.035}	15.0

· Applicable Flange: 4



*1 : The shaded section shows the rotating section.
*2 : The hatched section shows the non-rotating section.

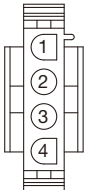
Model SGMCV-	L	(LL)	LB	LH	LA	Approx. Mass kg
08C□A41	73	65.3	160 ⁰ _{-0.040}	40 ^{+0.3} _{+0.1}	107 ⁰ _{-0.035}	9.0
17C□A41	87	79.3	160 ⁰ _{-0.040}	40 ^{+0.3} _{+0.1}	107 ⁰ _{-0.035}	11.0
25C□A41	117	109.3	160 ⁰ _{-0.040}	40 ^{+0.3} _{+0.1}	107 ⁰ _{-0.035}	15.0

● Servomotor Connector (Applicable Flange: 4)

Servomotor-end Connector Specifications

Model
 · Plug : 350779-1
 · Pin : 350561-3 or 350690-3 (No.1 to 3)
 · Ground pin : 350654-1 or 350669-1 (No.4)
 Manufacturer: Tyco Electronics Japan G.K.

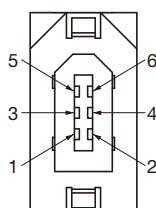
Applicable plug
 · Cap : 350780-1
 · Socket : 350570-3 or 350689-3



1	Phase U	Red
2	Phase V	White
3	Phase W	Blue
4	FG (Frame ground)	Green (yellow)

Encoder-end Connector Specifications

Model : 55102-0600
 Manufacturer: Molex Japan LLC
 Applicable plug: 54280-0609



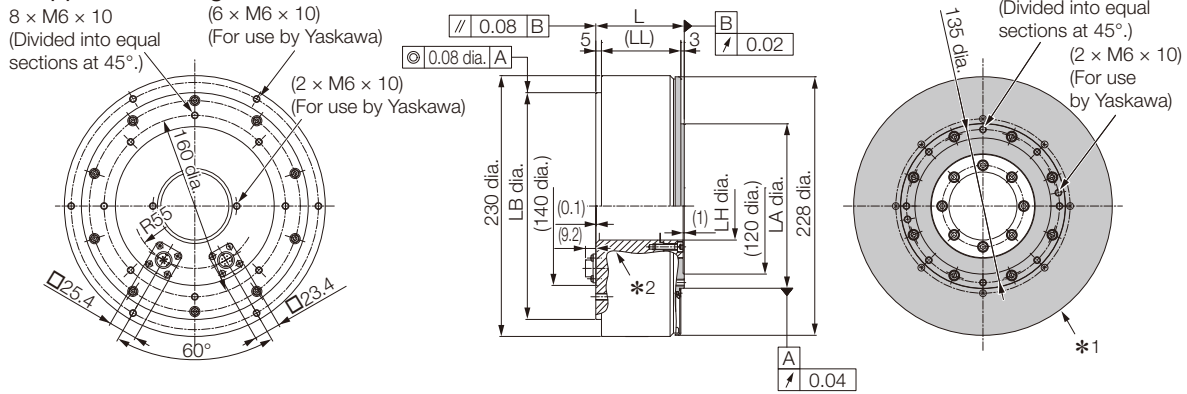
1	PG5V	Red
2	PG0V	Black
3*	BAT	Orange
4*	BAT0	Orange/white
5	PS	Light blue
6	/PS	Light blue/white
Connector Case	FG (Frame ground)	Shield

*: A battery is required only for a multiturn absolute encoder.

External Dimensions Units: mm

(3) Rated Torque 16.0 to 35.0 N·m (Outer Diameter 230 mm, Inner Diameter 60 mm)

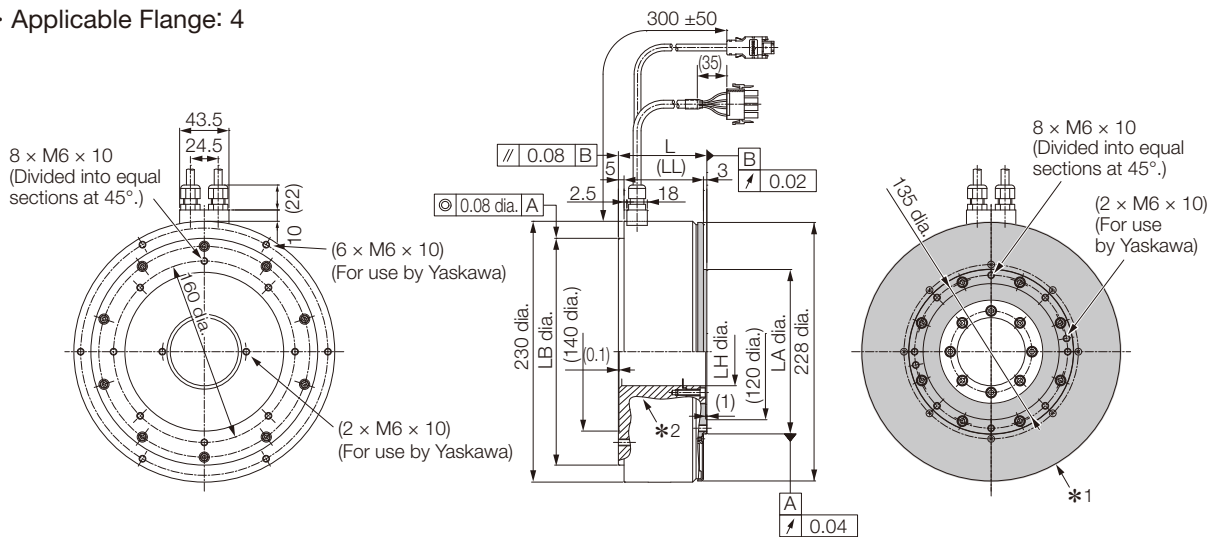
• Applicable Flange: 1



*1: The shaded section shows the rotating section.
 *2: The hatched section shows the non-rotating section.
 Note: Values in parentheses are reference dimensions

Model SGMCV-	L	(LL)	LB	LH	LA	Approx. Mass kg
16D □ A11	78	70	200 ⁰ _{-0.046}	60 ^{+0.4} ₀	145 ⁰ _{-0.040}	16.0
35D □ A11	107	99	200 ⁰ _{-0.046}	60 ^{+0.4} ₀	145 ⁰ _{-0.040}	25.0

• Applicable Flange: 4



*1: The shaded section shows the rotating section.
 *2: The hatched section shows the non-rotating section.
 Note: Values in parentheses are reference dimensions

Model SGMCV-	L	(LL)	LB	LH	LA	Approx. Mass kg
16D □ A41	78	70	200 ⁰ _{-0.046}	60 ^{+0.4} ₀	145 ⁰ _{-0.040}	16.0
35D □ A41	107	99	200 ⁰ _{-0.046}	60 ^{+0.4} ₀	145 ⁰ _{-0.040}	25.0

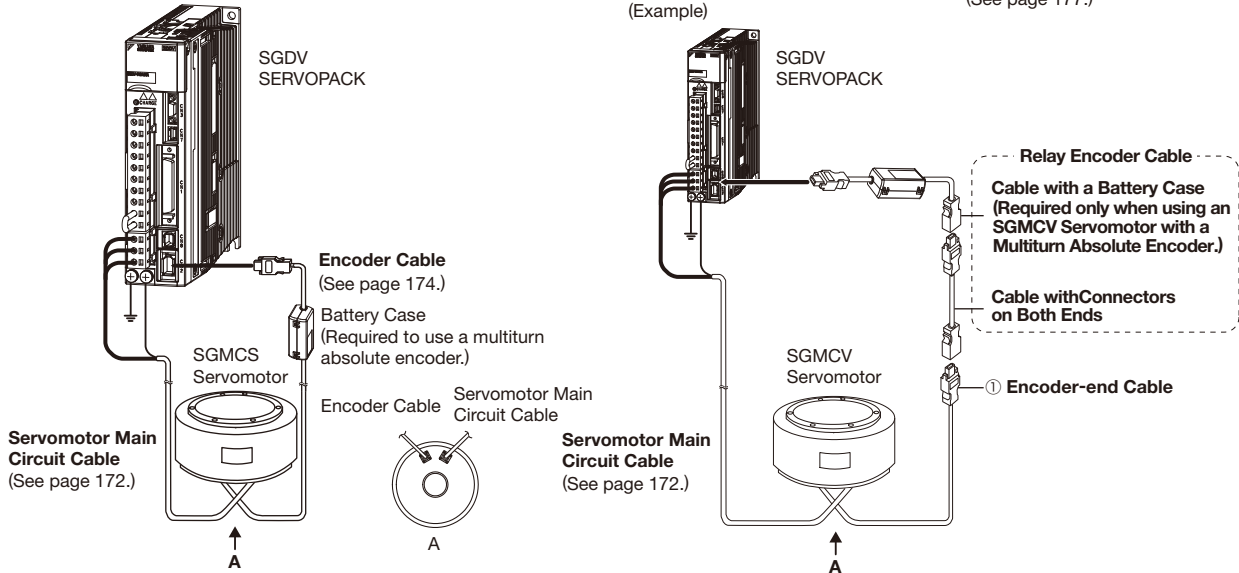
Selecting Cables

● Cables Connections

● Standard Wiring (Max. encoder cable length: 20 m)

● Encoder Cable Extension from 30 to 50 m

(See page 177.)



⚠ CAUTION

- Separate the servomotor main circuit cable wiring from the I/O signal cable and encoder cable at least 30 cm, and do not bundle or run them in the same duct.
- When the encoder cable length exceeds 20 m, use a relay encoder cable.
- When the main circuit cable length exceeds 20 m, note that the intermittent duty zone of the *Torque-Motor Speed Characteristics* will shrink as the line-to-line voltage drops.

● Servomotor Main Circuit Cables

Name	Length (L)	Order No.		Specifications	Details
		Standard Type	Flexible Type*1		
Cable with Loose Wire at SERVOPACK End	3 m	JZSP-CMM60-03-E	JZSP-C7MDN23-03-E	Applicable Flange*2: 1 SERVOPACK End 50 mm L Servomotor End M4 Crimped Terminals	(1)
	5 m	JZSP-CMM60-05-E	JZSP-C7MDN23-05-E		
	10 m	JZSP-CMM60-10-E	JZSP-C7MDN23-10-E		
	15 m	JZSP-CMM60-15-E	JZSP-C7MDN23-15-E		
	20 m	JZSP-CMM60-20-E	JZSP-C7MDN23-20-E		
	3 m	JZSP-CMM00-03-E	JZSP-C7MDS23-03-E	Applicable Flange*2: 4 SERVOPACK End 8.5±0.5 (Exposed core wire) 50 L Servomotor End Sheath to Bind Core Wires Heat-shrinkable Tube M4 Crimped Terminals Cable: UL2517 (AWG20×4C) Cap : 350780-1(4-pole) Socket : 350570-3 or 350689-3(Chained)	
	5 m	JZSP-CMM00-05-E	JZSP-C7MDS23-05-E		
	10 m	JZSP-CMM00-10-E	JZSP-C7MDS23-10-E		
	15 m	JZSP-CMM00-15-E	JZSP-C7MDS23-15-E		
	20 m	JZSP-CMM00-20-E	JZSP-C7MDS23-20-E		
Servomotor-end Connector		JN1DS04FK1		Applicable Flange*2: 1 Soldered	(2)
		JZSP-CMM9-3-E		Applicable Flange*2: 4 Crimped Type (A crimp tool is required.)	(3)
Cables	5 m	JZSP-CSM90-05-E	JZSP-C7M29-05-E		(4)
	10 m	JZSP-CSM90-10-E	JZSP-C7M29-10-E		
	15 m	JZSP-CSM90-15-E	JZSP-C7M29-15-E		
	20 m	JZSP-CSM90-20-E	JZSP-C7M29-20-E		
	50 m	JZSP-CSM90-50-E	JZSP-C7M29-50-E		

*1: Use flexible cables for movable sections such as robot arms.

*2: For applicable flanges, see model designations on page 164.

Note: SGMCS servomotors with holding brakes are not available.

Selecting Cables

(1) Wiring Specifications for Cables

· Applicable Flange: 1

SERVOPACK End		Servomotor End	
Wire Color	Signal	Signal	Pin No.
Red	Phase U	Phase U	1
White	Phase V	Phase V	2
Blue	Phase W	Phase W	3
Green/(yellow)	FG	FG	4

· Applicable Flange: 4

SERVOPACK End		Servomotor End	
Wire Color	Signal	Signal	Pin No.
Red	Phase U	Phase U	1
White	Phase V	Phase V	2
Blue	Phase W	Phase W	3
Green/(yellow)	FG	FG	4

(2) Applicable Flange 1: Servomotor-end Connector Specifications

Items	Specifications
Manufacturer	Japan Aviation Electronics Industry, Ltd.
Order No.	JN1DS04FK1 (Soldered)
Outer Diameter of Applicable Cable	5.7 dia. to 7.3 dia. mm
External Dimensions mm	

(3) Applicable Flange 4: Servomotor-end Connector Kit Specifications

Items	Specifications
Manufacturer	Tyco Electronics Japan G.K.
Order No.	JZSP-CMM9-3-E
Cap	350780-1
Socket	350570-3 or 350689-3
Applicable Wire Size	AWG20 to 14
External Dimensions mm	

Note: A crimp tool (Model no.: 90296-2) is required. Contact the respective manufacturer for more information.

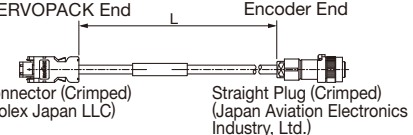
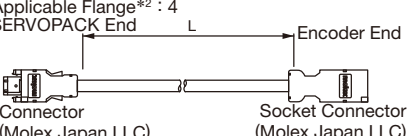
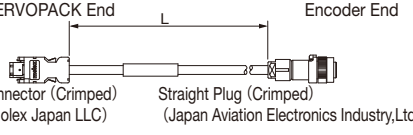
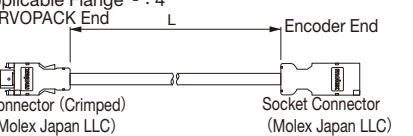
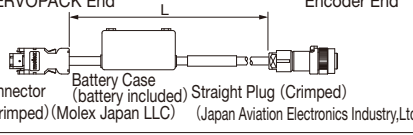
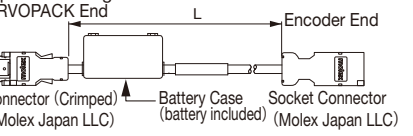
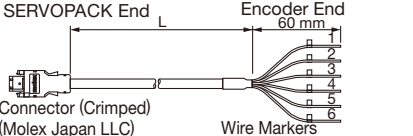




(4) Cable Specifications

Items	Standard Type	Flexible Type
Order No.*	JZSP-CSM90-□□-E (50 m max.)	JZSP-C7M29-□□-E (50 m max.)
Specifications	UL2517 (Rating temperature: 105°C) AWG20 × 6C For power line: AWG20 (0.52 mm ²) Outer diameter of insulating sheath: 1.53 dia. mm For holding brake line: AWG20 (0.52 mm ²) Outer diameter of insulating sheath: 1.53 dia. mm	UL2517 (Rating temperature: 105°C) AWG20 × 4C1, AWG22C × 2C For power line: AWG22 (0.33 mm ²) Outer diameter of insulating sheath: 1.37 dia. mm For holding brake line: AWG20 (0.52 mm ²) Outer diameter of insulating sheath: 1.53 dia. mm
Finished Dimensions	7 ± 0.3 mm	7 ± 0.2 mm
Internal Configuration and Lead Color		
Yaskawa Standard Specifications (Standard Length)	Cable length : 5 m, 10 m, 15 m, 20 m, 50 m	

*: Specify the cable length □□ of order no.
Example: JZSP-CSM90-15-E (15 m)

Selecting Cables

● Encoder Cables and Connectors (Max. length: 20 m)

Name	Length (L)	Order No.		Specifications	Details	
		Standard Type	Flexible Type*1			
Cable with Connectors (For Single-turn Absolute Encoder, without Battery Case)	3 m	JZSP-CMP60-03-E	JZSP-CSP60-03-E	 <p>Applicable Flange*2: 1 SERVOPACK End</p> <p>Encoder End</p> <p>Connector (Crimped) (Molex Japan LLC)</p> <p>Straight Plug (Crimped) (Japan Aviation Electronics Industry, Ltd.)</p>	(1)	
	5 m	JZSP-CMP60-05-E	JZSP-CSP60-05-E			
	10 m	JZSP-CMP60-10-E	JZSP-CSP60-10-E			
	15 m	JZSP-CMP60-15-E	JZSP-CSP60-15-E			
	20 m	JZSP-CMP60-20-E	JZSP-CSP60-20-E			
	3 m	JZSP-CMP00-03-E	JZSP-CMP10-03-E			 <p>Applicable Flange*2: 4 SERVOPACK End</p> <p>Encoder End</p> <p>Connector (Crimped) (Molex Japan LLC)</p> <p>Socket Connector (Molex Japan LLC)</p>
	5 m	JZSP-CMP00-05-E	JZSP-CMP10-05-E			
	10 m	JZSP-CMP00-10-E	JZSP-CMP10-10-E			
15 m	JZSP-CMP00-15-E	JZSP-CMP10-15-E				
Cable with Connectors (For Multi-turn Absolute Encoder, without Battery Case)	3 m	JZSP-C7PI00-03-E	JZSP-C7PI20-03-E	 <p>Applicable Flange*2: 1 SERVOPACK End</p> <p>Encoder End</p> <p>Connector (Crimped) (Molex Japan LLC)</p> <p>Straight Plug (Crimped) (Japan Aviation Electronics Industry, Ltd.)</p>	(2)	
	5 m	JZSP-C7PI00-05-E	JZSP-C7PI20-05-E			
	10 m	JZSP-C7PI00-10-E	JZSP-C7PI20-10-E			
	15 m	JZSP-C7PI00-15-E	JZSP-C7PI20-15-E			
	20 m	JZSP-C7PI00-20-E	JZSP-C7PI20-20-E			
	3 m	JZSP-CMP00-03-E	JZSP-CMP10-03-E			 <p>Applicable Flange*2: 4 SERVOPACK End</p> <p>Encoder End</p> <p>Connector (Crimped) (Molex Japan LLC)</p> <p>Socket Connector (Molex Japan LLC)</p>
	5 m	JZSP-CMP00-05-E	JZSP-CMP10-05-E			
	10 m	JZSP-CMP00-10-E	JZSP-CMP10-10-E			
15 m	JZSP-CMP00-15-E	JZSP-CMP10-15-E				
Cable with Connectors (For Multi-turn Absolute Encoder, with Battery Case) *3	3 m	JZSP-C7PA00-03-E	JZSP-C7PA20-03-E	 <p>Applicable Flange*2: 1 SERVOPACK End</p> <p>Encoder End</p> <p>Connector (Crimped) (Molex Japan LLC)</p> <p>Battery Case (battery included) (Japan Aviation Electronics Industry, Ltd.)</p> <p>Straight Plug (Crimped) (Japan Aviation Electronics Industry, Ltd.)</p>	(3)	
	5 m	JZSP-C7PA00-05-E	JZSP-C7PA20-05-E			
	10 m	JZSP-C7PA00-10-E	JZSP-C7PA20-10-E			
	15 m	JZSP-C7PA00-15-E	JZSP-C7PA20-15-E			
	20 m	JZSP-C7PA00-20-E	JZSP-C7PA20-20-E			
	3 m	JZSP-CSP19-03-E	JZSP-CSP29-03-E			 <p>Applicable Flange*2: 4 SERVOPACK End</p> <p>Encoder End</p> <p>Connector (Crimped) (Molex Japan LLC)</p> <p>Battery Case (battery included)</p> <p>Socket Connector (Molex Japan LLC)</p>
	5 m	JZSP-CSP19-05-E	JZSP-CSP29-05-E			
	10 m	JZSP-CSP19-10-E	JZSP-CSP29-10-E			
15 m	JZSP-CSP19-15-E	JZSP-CSP29-15-E				
Cable with Loose Wire at Encoder End (For Incremental and Absolute Encoder)	3 m	JZSP-CMP03-03-E	JZSP-CMP13-03-E	 <p>SERVOPACK End</p> <p>Encoder End 60 mm</p> <p>Connector (Crimped) (Molex Japan LLC)</p> <p>Wire Markers</p>	(4)	
	5 m	JZSP-CMP03-05-E	JZSP-CMP13-05-E			
	10 m	JZSP-CMP03-10-E	JZSP-CMP13-10-E			
	15 m	JZSP-CMP03-15-E	JZSP-CMP13-15-E			
	20 m	JZSP-CMP03-20-E	JZSP-CMP13-20-E			
SERVOPACK-end Connector Kit		JZSP-CMP9-1-E		<p>Soldered</p>  <p>(Molex Japan LLC)</p>	(5)	
Encoder-end Connector Kit		JN1DS10SL1 (Straight Plug)		<p>Applicable Flange*2: 1 Crimped Type (A crimp tool is required.)</p>  <p>(Japan Aviation Electronics Industry, Ltd.)</p>		
		JN1-22-22S-PKG100 (Socket Contact)		<p>Applicable Flange*2: 4 Soldered</p>  <p>(Molex Japan LLC)</p>		
Cables	5 m	JZSP-CMP09-05-E	JZSP-CSP39-05-E		(6)	
	10 m	JZSP-CMP09-10-E	JZSP-CSP39-10-E			
	15 m	JZSP-CMP09-15-E	JZSP-CSP39-15-E			
	20 m	JZSP-CMP09-20-E	JZSP-CSP39-20-E			

*1: Use flexible cables for movable sections such as robot arms.

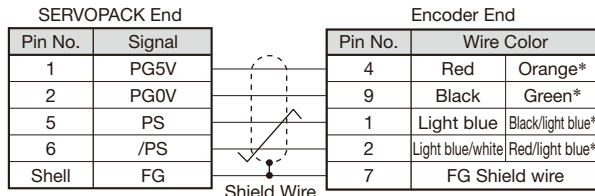
*2: For applicable flanges, see model designations on page 164.

*3: Use one of these Cables if a battery is installed at the host controller.

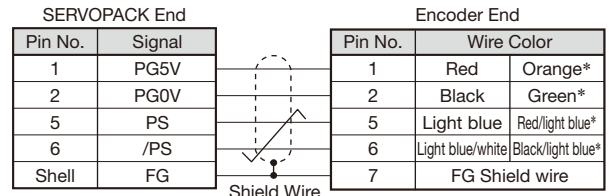
Selecting Cables

(1) Wiring Specifications for Cable with Connectors (For Multi-turn Absolute Encoder, without Battery Case)

· Applicable Flange: 1



· Applicable Flange: 4

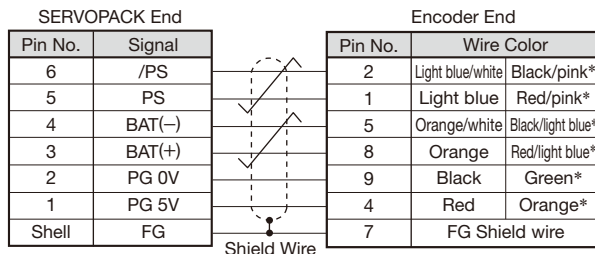


*: Wire color for flexible type

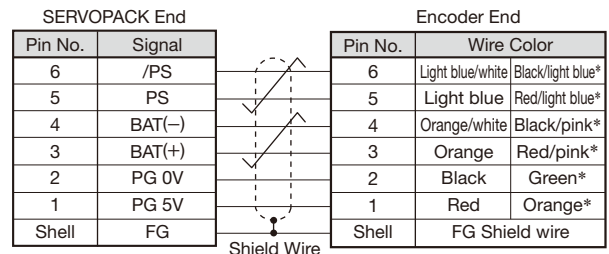
Note: Be sure to connect the shield wire of encoder cable to the connector case (shell).

(2) Wiring Specifications for Cable with Connectors (For Multi-turn Absolute Encoder, without Battery Case)

· Applicable Flange: 1



· Applicable Flange: 4

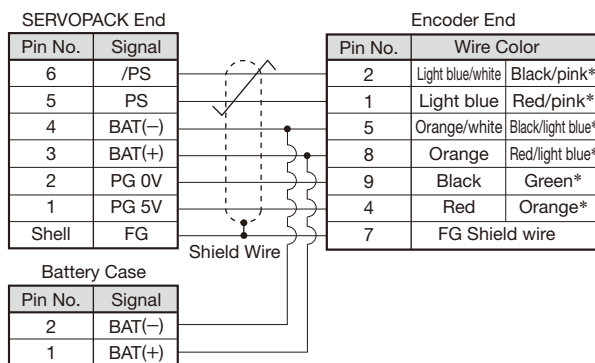


*: Wire color for flexible type

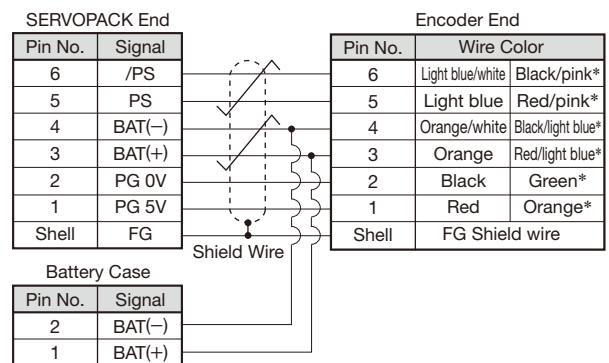
Note: Be sure to connect the shield wire of encoder cable to the connector case (shell).

(3) Wiring Specifications for Cable with Connectors (For Multi-turn Absolute Encoder, with Battery Case)

· Applicable Flange: 1



· Applicable Flange: 4

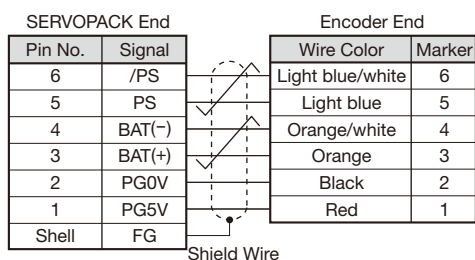


*: Wire color for flexible type

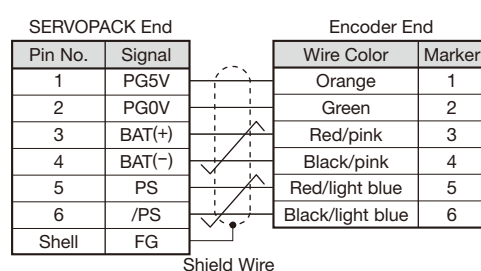
Note: Be sure to connect the shield wire of encoder cable to the connector case (shell).

(4) Wiring Specifications for Cable with Loose Wire at Encoder End

(Standard type)



(Flexible type)

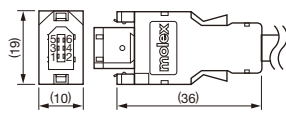
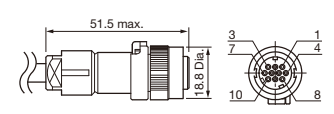
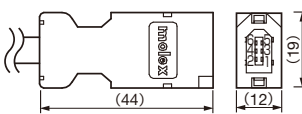


Notes: 1 The signals BAT(+) and BAT(-) are not needed when using SGMCV servomotors.

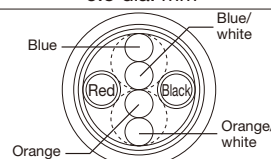
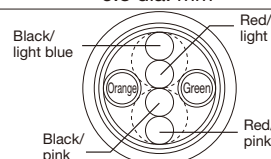
2 Be sure to connect the shield wire of encoder cable to the connector case (shell).

Selecting Cables

(5) SERVOPACK-end/Encoder-end Connector Kit Specifications

Items	SERVOPACK-end Connector Kit	Encoder-end Connector Kit	
Order No.	JZSP-CMP9-1-E (Cables are not included.)	From Japan Aviation Electronics Industry Ltd. Tools are not included.	JZSP-CMP9-2-E (Cables are not included.)
Manufacturer	Molex Japan LLC	Japan Aviation Electronics Industry, Ltd.	Molex Japan LLC
Specifications	55100-0670 (soldered) Product Specification : PS-54280 Note: 55100-0670 (soldered) when using a connector kit	Straight plug: JN1DS10SL1 (crimped) Socket contact type: JN1-22-22S-PKG100 Outer diameter of applicable cable : 5.7 dia. to 7.3 dia. mm Applicable wire size: AWG21 to 25 Outer diameter of insulating sheath: 0.8 dia. to 1.5 dia. mm Crimp tool (hand tool) model: CT150-2-JN	54280-0609 (Soldered) Product Specification : PS-54280
External Dimensions (Units: mm)			

(6) Cable Specifications

Items	Standard Type	Flexible Type
Order No.*	JZSP-CMP09-□□-E	JZSP-CSP39-□□-E
Cable Length	20 m max.	
Specifications	UL20276 (Rating temperature: 80°C) AWG22×2C+AWG24×2P AWG22 (0.33 mm ²) Outer diameter of insulating sheath: 1.15 dia. mm AWG24 (0.20 mm ²) Outer diameter of insulating sheath: 1.09 dia. mm	UL20276 (Rating temperature: 80°C) AWG22×2C+AWG24×2P AWG22 (0.33 mm ²) Outer diameter of insulating sheath: 1.35 dia. mm AWG24 (0.20 mm ²) Outer diameter of insulating sheath: 1.21 dia. mm
Finished Dimensions	6.5 dia. mm	6.8 dia. mm
Internal Configuration and Lead Colors		
Yaskawa Standard Specifications (Standard Length)	Cable length: 5 m, 10 m, 15 m, 20 m	

* Specify the cable length in □□ of order no.
Example: JZSP-CMP09-05-E (5 m)

Selecting Cables

● Relay Encoder Cables (For extending from 30 to 50 m)

Name	Length	Order No. Standard Type	Specifications	Details
① Encoder-end Cables (For single-turn/multi-turn absolute encoder)	0.3 m	JZSP-CSP15-E	Applicable Flange*: 1, SERVOPACK End Encoder End 300±30 Plug Connector (Soldered) (Molex Japan LLC) Plug (Japan Aviation Electronics Industry, Ltd.)	(1)
② Cable with Connectors (For single-turn/multi-turn absolute encoder)	30 m	JZSP-UCMP00-30-E	Applicable Flange*: 1, 4 SERVOPACK End Encoder End L Plug Connector (Crimped) (Molex Japan LLC) Socket Connector (Soldered) (Molex Japan LLC)	(2)
	40 m	JZSP-UCMP00-40-E		
	50 m	JZSP-UCMP00-50-E		
③ Cable with Battery Case (For multi-turn Absolute Encoder)*2	0.3m	JZSP-CSP12-E	SERVOPACK End Encoder End 300±30 Plug Connector (Crimped) (Molex Japan LCC) Battery Case (Battery attached) Plug Connector (Soldered) (Molex Japan LCC)	(3)
④ Cables	30 m	JZSP-CMP19-30-E		(4)
	40 m	JZSP-CMP19-40-E		
	50 m	JZSP-CMP19-50-E		

*1: For applicable flanges, see model designations on page 164.

*2: This Cable is not required if a battery is connected to the host controller.

(1) Wiring Specifications for Encoder-end Cable

SERVOPACK End		Encoder End	
Pin No.	Signal	Pin No.	Wire Color
1	PG 5V	4	Red
2	PG 0V	9	Black
5	PS	1	Light blue
6	/PS	2	Light blue/white
Shell	FG	7	FG Shield wire

Note: Be sure to connect the shield wire of encoder cable to the connector case (shell).

(2) Wiring Specifications for Cable with Connectors

SERVOPACK End		Encoder End	
Pin No.	Signal	Pin No.	Wire Color
6	/PS	6	Light blue/white
5	PS	5	Light blue
4	BAT (-)	4	Orange/white
3	BAT (+)	3	Orange
2	PG 0V	2	Black
1	PG 5V	1	Red
Shell	FG	Shell	FG

(3) Wiring Specifications for Cable with Battery Case

SERVOPACK End		Encoder End	
Pin No.	Signal	Pin No.	線色
6	/PS	2	Light blue/white
5	PS	1	Light blue
4	BAT (-)	5	Orange/white
3	BAT (+)	8	Orange
2	PG 0V	9	Black
1	PG 5V	4	Red
Shell	FG	7	FG Shield wire

Battery Case	
Pin No.	Signal
2	BAT (-)
1	BAT (+)

Note: Be sure to connect the shield wire of encoder cable to the connector case (shell).

(4) Cable Specifications

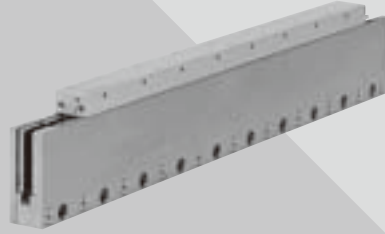
Items	Standard Type
Order No.*	JZSP-CMP19-□□-E
Cable Length	50 m max.
Specifications	UL20276 (Rating temperature: 80°C) AWG16×2C+AWG26×2P AWG16 (1.31 mm ²) Outer diameter of insulating sheath: 2.0 dia.mm AWG26 (0.13 mm ²) Outer diameter of insulating sheath: 0.91 dia. mm
Finished Dimensions	6.8 dia. mm
Internal Configuration and Lead Colors	
Yaskawa Standard Specifications (Standard Length)	Cable length: 30 m, 40 m, 50 m

* Specify the cable length in □□ of order no.
Example: JZSP-CMP19-30-E (30 m)

Linear Servomotors

SGLGW

(Coreless Type)



Model Designations

• Moving Coil

S G L G W - 30 A 050 C P □

Linear Σ Series Linear Servomotor

1st digit 2nd digit 3rd+4th digits 5th digit 6th+7th+8th digits 9th digit 10th digit 11th digit

1st digit Servomotor Type

Code	Specifications
G	Coreless

2nd digit Moving Coil/ Magnetic Way

Code	Specifications
W	Moving Coil

3rd+4th digits Magnet Height

5th digit Voltage

Code	Specifications
A	200 VAC

6th+7th+8th digits Length of Moving Coil

9th digit Design Revision Order
A, B, C...

10th digit Hall Sensor/Cooling Method

Code	Specifications	Applicable Model
P	With hall sensor	All models
C	Forced cooling	SGLGW
H	With hall sensor and forced cooling	-40A, -60A, -90A
Blank	Without hall sensor	All models

11th digit Connector for Main Circuit Cable

Code	Specifications	Applicable Model
Blank	Connector by Tyco Electronics Japan G.K.	All models
D	Connector by Intercon-nectron GmbH	SGLGW -30A, -40A, -60A

• Magnetic Way

S G L G M - 30 108 A □

Linear Σ Series Linear Servomotor

1st digit 2nd digit 3rd+4th digits 5th+6th+7th digits 8th digit 9th digit

1st digit Servomotor Type
(Same as that of the moving coil)

2nd digit Moving Coil/ Magnetic Way

Code	Specifications
M	Magnetic Way

3rd+4th digits Magnet Height

5th+6th+7th digits Length of Magnetic Way

8th digit Design Revision Order
A, B, C*...

9th digit Options

Code	Specifications	Applicable Model
Blank	standard	All models
-M	High force	SGLGM-40, -60

*: The coreless linear servomotor has revision CT.
C = without mounting holes on the bottom
CT = with mounting holes on the bottom

Features

- Direct-feed mechanism for high-speed and high-precision positioning.
- Lack of magnetic attraction force helps extend the life of linear motion guides and minimizes noise.
- Zero cogging for minimal force ripple.

Application Examples

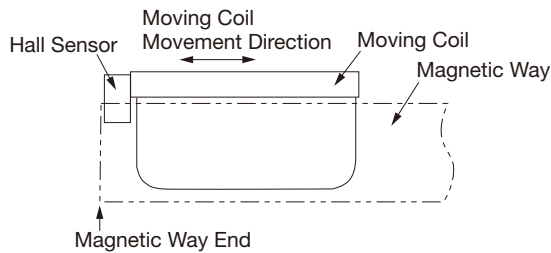
- Feeders and loaders
- Semiconductor equipment
- LCD manufacturing equipment

● Precautions on Moving Coil with Hall Sensor

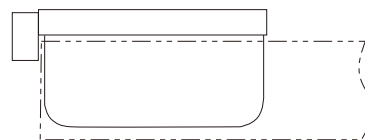
When using a moving coil with a hall sensor, the magnetic way must completely cover the bottom of the hall sensor. Refer to the example showing the correct installation.

When determining the length of the moving coil's stroke or the length of the magnetic way, consider the total length of the moving coil and the hall sensor unit. Refer to the following table.

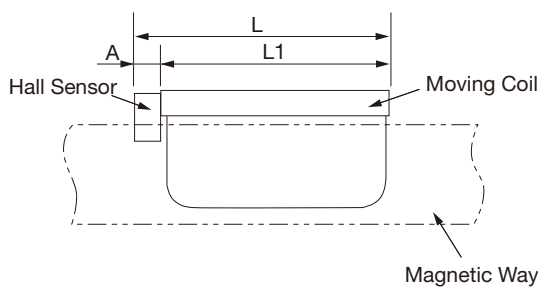
< Correct >



< Incorrect >



The total length of moving coil with hall sensor



Moving Coil Model SGLGW-	Length of Moving Coil L1 (mm)	Length of Hall Sensor Unit A (mm)	Total Length L (mm)
30A050□P□	50	0 (Included in the length of moving coil)	50
30A080□P□	80		80
40A140□P□	140	16	156
40A253□P□	252.5		268.5
40A365□P□	365		381
60A140□P□	140	16	156
60A253□P□	252.5		268.5
60A365□P□	365		381
90A200□P□	199	0 (Included in the length of moving coil)	199
90A370□P□	367		367
90A535□P□	535		535

Ratings and Specifications

Time Rating: Continuous

Insulation Resistance: 500 VDC, 10 MΩ min.

Ambient Temperature: 0 to 40°C

Excitation: Permanent magnet

Withstand Voltage: 1500 VAC for one minute

Enclosure: Self-cooled, air-cooling (Only self-cooled type available for SGLGW-30A linear servomotor)

Ambient Humidity: 20% to 80% (no condensation)

Allowable Winding Temperature: 130°C (Thermal class B)

● With Standard-force Magnetic Ways

Linear Servomotor Model SGLGW- <input type="text"/>		30A			40A			60A			90A		
		050C	080C	140C	253C	365C	140C	253C	365C	200C	370C	535C	
Peak Speed*	m/s	5	5	5	5	5	4.8	4.8	4.8	4	4	4	
Rated Force*	N	12.5	25	47	93	140	70	140	210	325	550	750	
Rated Current*	Arms	0.51	0.79	0.8	1.6	2.4	1.2	2.2	3.3	4.4	7.5	10.2	
Peak Force*	N	40	80	140	280	420	220	440	660	1300	2200	3000	
Peak Current*	Arms	1.62	2.53	2.4	4.9	7.3	3.5	7.0	10.5	17.6	30.0	40.8	
Moving Coil Mass	kg	0.10	0.15	0.34	0.60	0.87	0.42	0.76	1.10	2.15	3.6	4.9	
Force Constant	N/Arms	26.4	33.9	61.5	61.5	61.5	66.6	66.6	66.6	78.0	78.0	78.0	
BEMF Constant	V/(m/s)	8.8	11.3	20.5	20.5	20.5	22.2	22.2	22.2	26.0	26.0	26.0	
Motor Constant	N/√W	3.7	5.6	7.8	11.0	13.5	11.1	15.7	19.2	26.0	36.8	45.0	
Electrical Time Constant	ms	0.2	0.4	0.4	0.4	0.4	0.5	0.5	0.5	1.4	1.4	1.4	
Mechanical Time Constant	ms	7.30	4.78	5.59	4.96	4.77	3.41	3.08	2.98	3.18	2.66	2.42	
Thermal Resistance (With heat sink)	K/W	5.19	3.11	1.67	0.87	0.58	1.56	0.77	0.51	0.39	0.26	0.22	
Thermal Resistance (Without heat sink)	K/W	8.13	6.32	3.02	1.80	1.23	2.59	1.48	1.15	1.09	0.63	0.47	
Magnetic Attraction	N	0	0	0	0	0	0	0	0	0	0	0	
Applicable SERVOPACK	SGDV-	R70 <input type="checkbox"/>	R90 <input type="checkbox"/>	R90 <input type="checkbox"/>	1R6A, 2R1F	2R8 <input type="checkbox"/>	1R6A, 2R1F	2R8 <input type="checkbox"/>	5R5A	120A	180A	200A	

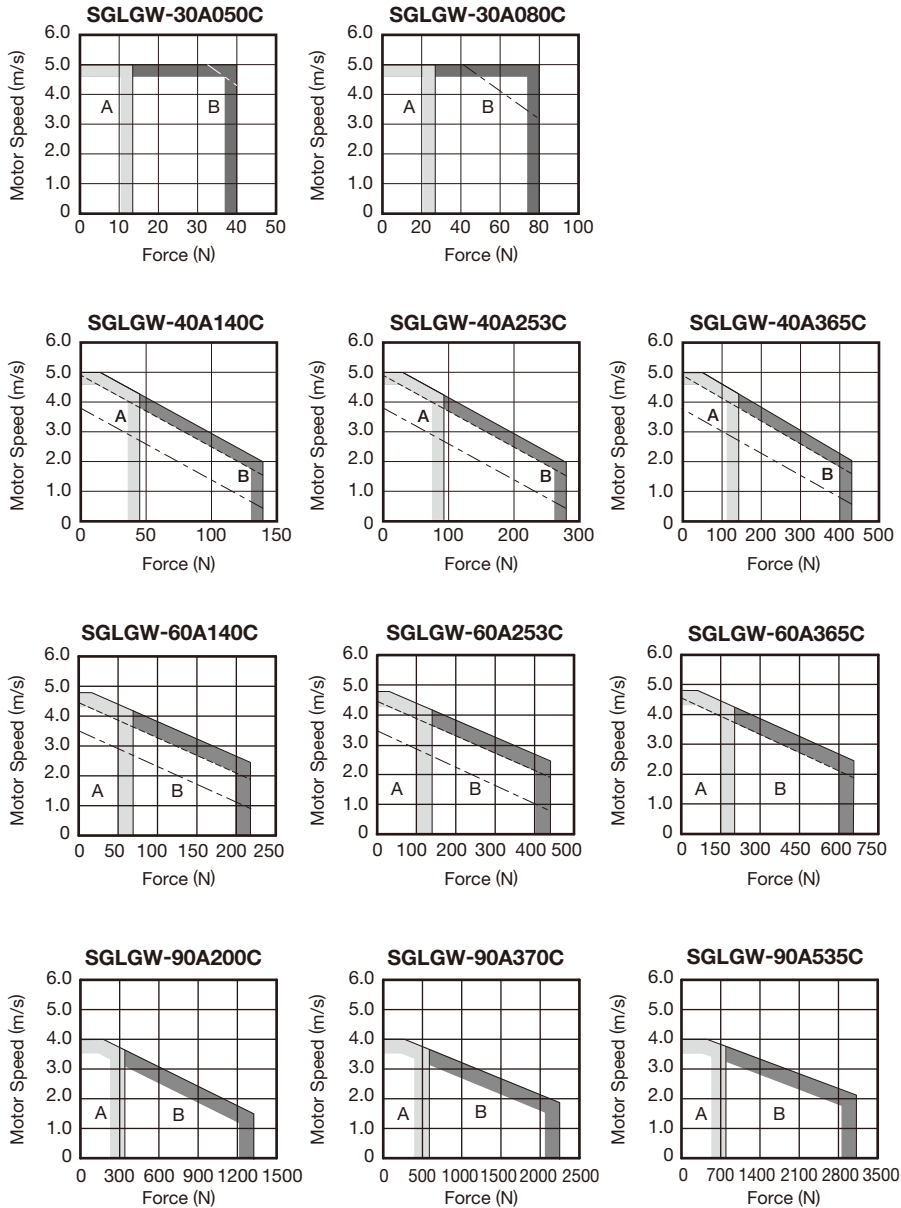
Notes: 1 The items marked with an * and *Force and Speed Characteristics* (the table on the next page) are the values at a motor winding temperature of 100°C during operation in combination with a SERVOPACK. The others are at 20°C.

2 The above specifications show the values under the cooling condition when a heat sink (aluminum board) listed in the following table is mounted on the moving coil.

Heat Sink Size	200 mm × 300 mm × 12 mm : SGLGW-30A050C, -30A080C, -40A140C, -60A140C
	300 mm × 400 mm × 12 mm : SGLGW-40A253C, -60A253C
	400 mm × 500 mm × 12 mm : SGLGW-40A365C, -60A365C
	800 mm × 900 mm × 12 mm : SGLGW-90A200C, -90A370C, -90A535C

Ratings and Specifications

● **Force and Speed Characteristics** **A** : Continuous Duty Zone **B** : Intermittent Duty Zone



Notes: 1 The characteristics of the intermittent duty zone differ depending on the supply voltage. The solid, dotted, and dashed-dotted lines of the intermittent duty zone indicate the characteristics when a servomotor runs with the following combinations:

- The solid line: With a three-phase 200 V SERVOPACK
- The dotted line: With a single-phase 200 V SERVOPACK
- The dashed-dotted line: With a single-phase 100 V SERVOPACK

SGLGW-30A050C and SGLGW-30A080C servomotors combined with single-phase 200 V SERVOPACKs have the same characteristics as those combined with three-phase ones.

2 When the effective force is within the rated force, the servomotor can be used within the intermittent duty zone.

Ratings and Specifications

● With High-force Magnetic Ways

Linear Servomotor Model SGLGW- <input type="text"/>		40A			60A		
		140C	253C	365C	140C	253C	365C
Peak Speed*	m/s	4.2	4.2	4.2	4.2	4.2	4.2
Rated Force*	N	57	114	171	85	170	255
Rated Current*	Arms	0.8	1.6	2.4	1.2	2.2	3.3
Peak Force*	N	230	460	690	360	720	1080
Peak Current*	Arms	3.2	6.5	9.7	5.0	10.0	14.9
Moving Coil Mass	kg	0.34	0.60	0.87	0.42	0.76	1.10
Force Constant	N/Arms	76.0	76.0	76.0	77.4	77.4	77.4
BEMF Constant	V/(m/s)	25.3	25.3	25.3	25.8	25.8	25.8
Motor Constant	N/√W	9.6	13.6	16.7	12.9	18.2	22.3
Electrical Time Constant	ms	0.4	0.4	0.4	0.5	0.5	0.5
Mechanical Time Constant	ms	3.69	3.24	3.12	2.52	2.29	2.21
Thermal Resistance (With heat sink)	K/W	1.67	0.87	0.58	1.56	0.77	0.51
Thermal Resistance (Without heat sink)	K/W	3.02	1.80	1.23	2.59	1.48	1.15
Magnetic Attraction	N	0	0	0	0	0	0
Applicable SERVOPACK	SGDV-	1R6A, 2R1F	2R8 <input type="checkbox"/>	3R8A	1R6A, 2R1F	3R8A	7R6A

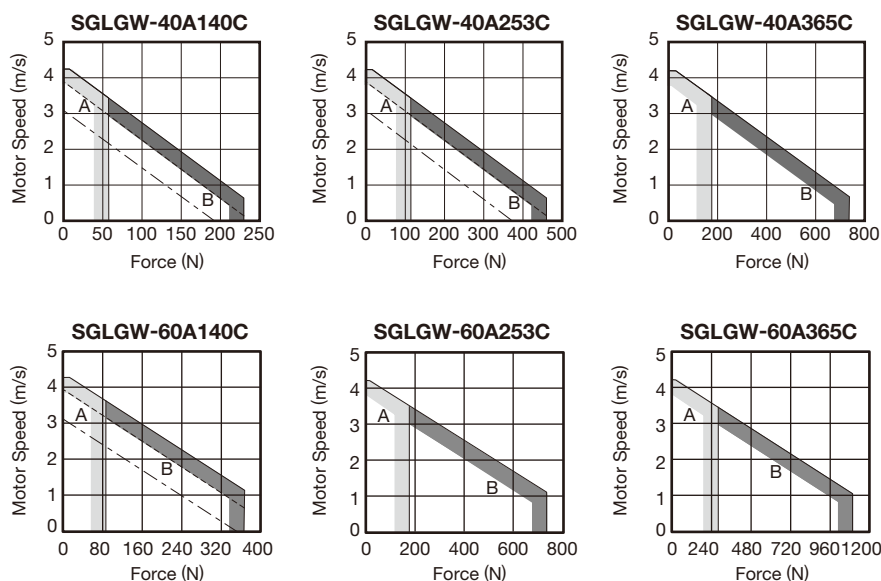
Notes: 1 The items marked with an * and *Force and Speed Characteristics* (the table on the next page) are the values at a motor winding temperature of 100°C during operation in combination with a SERVOPACK. The others are at 20°C.

2 The above specifications show the values under the cooling condition when a heat sink (aluminum board) listed in the following table is mounted on the moving coil.

Heat Sink Size 200 mm × 300 mm × 12 mm : SGLGW-40A140C, -60A140C
 300 mm × 400 mm × 12 mm : SGLGW-40A253C, -60A253C
 400 mm × 500 mm × 12 mm : SGLGW-40A365C, -60A365C

Ratings and Specifications

● **Force and Speed Characteristics** [A] : Continuous Duty Zone [B] : Intermittent Duty Zone



Notes: 1 The characteristics of the intermittent duty zone differ depending on the supply voltage. The solid, dotted, and dashed-dotted lines of the intermittent duty zone indicate the characteristics when a servomotor runs with the following combinations:
 · The solid line: With a three-phase 200 V SERVOPACK
 · The dotted line: With a single-phase 200 V SERVOPACK
 · The dashed-dotted line: With a single-phase 100 V SERVOPACK
 2 When the effective force is within the rated force, the servomotor can be used within the intermittent duty zone.

● **Mechanical Specifications**

(1) **Impact Resistance**

- Impact acceleration: 196 m/s²
- Impact occurrences: twice

(2) **Vibration Resistance**

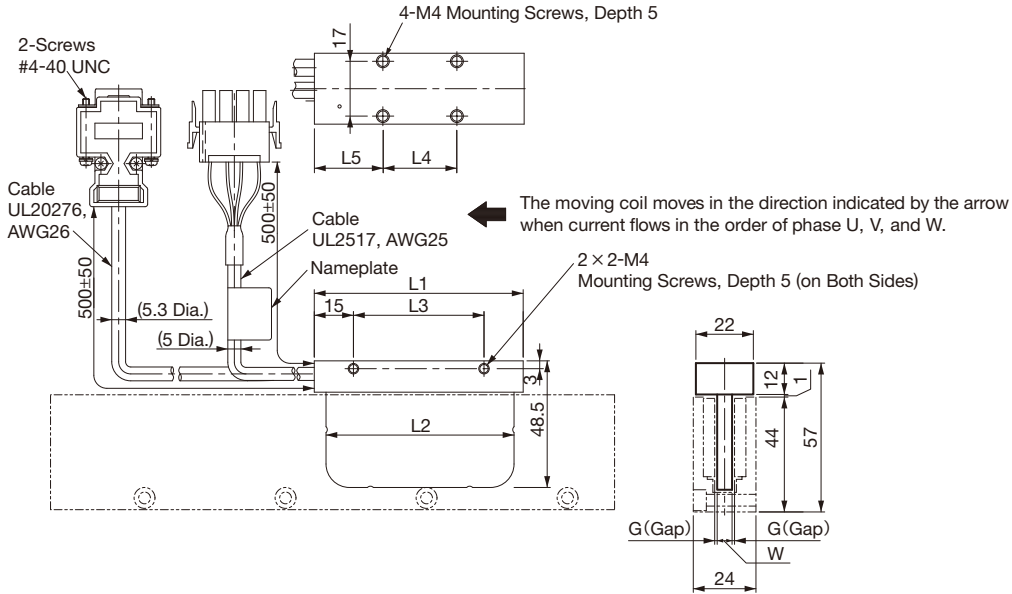
The linear servomotors will withstand the following vibration acceleration in three directions: Vertical, side to side, and front to back.

- Vibration acceleration: 49 m/s²

External Dimensions Units: mm

(1) SGLGW-30

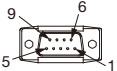
- Moving Coil: SGLGW-30A□□□□C□ (With a connector by Tyco Electronics Japan G.K.)



Moving Coil Model SGLGW-	L1	L2	L3	L4	L5	W	G (Gap)	Approx. Mass* kg
30A050C□	50	48	30	20	20	5.9	0.85	0.14
30A080C□	80	72	50	30	25	5.7	0.95	0.19

*: The values indicate the mass of moving coil with a hall sensor unit.

Hall Sensor Connector Specifications



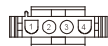
Pin Connector:
17JE-23090-02 (D8C)
by DDK Ltd.

The Mating Connector

Socket Connector
: 17JE-13090-02 (D8C)
Stud : 17L-002C or
17L-002C1

Pin No.	Signal
1	+5V (Power supply)
2	Phase U
3	Phase V
4	Phase W
5	0V (Power supply)
6	Not used
7	Not used
8	Not used
9	Not used

Linear Servomotor Connector Specifications



Plug : 350779-1
Pin : 350924-1 or
770672-1
by Tyco Electronics Japan G.K.

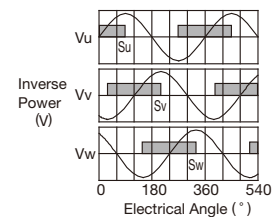
The Mating Connector

Cap : 350780-1
Socket : 350925-1 or
770673-1

Pin No.	Signal	Wire Color
1	Phase U	Red
2	Phase V	White
3	Phase W	Blue
4	FG	Green

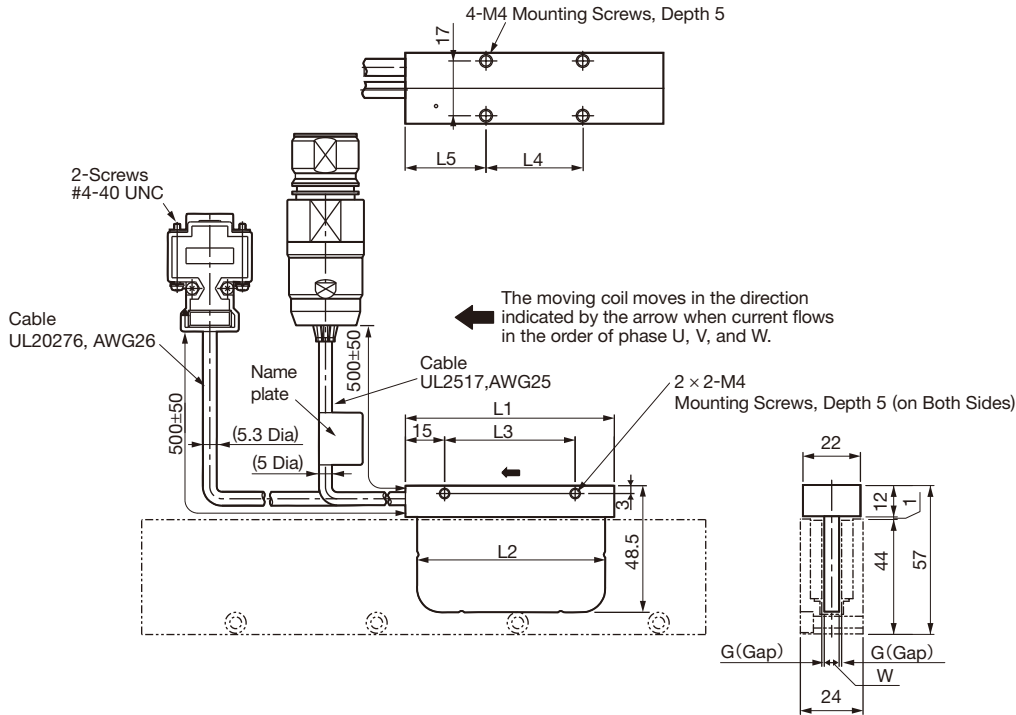
Hall Sensor Output Signals

When the moving coil moves in the direction indicated by the arrow in the figure, the relationship between the hall sensor output signals S_u , S_v , S_w and the inverse power of each motor phase V_u , V_v , V_w becomes as shown in the figure below.



External Dimensions Units: mm

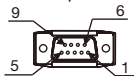
- Moving Coil: SGLGW-30A□□□C□D (With a connector by Interconnectron GmbH)



Moving Coil Model SGLGW-	L1	L2	L3	L4	L5	W	G (Gap)	Approx. Mass* kg
30A050C□D	50	48	30	20	20	5.9	0.85	0.14
30A080C□D	80	72	50	30	25	5.7	0.95	0.19

*: The values indicate the mass of moving coil with a hall sensor unit.

Hall Sensor
Connector Specifications



Pin Connector :
17JE-23090-02 (D8C)
by DDK Ltd.

The Mating Connector
Socket Connector :
17JE-13090-02 (D8C)
Stud : 17L-002C or
17L-002C1

Pin No.	Signal
1	+5V (Power supply)
2	Phase U
3	Phase V
4	Phase W
5	0V (Power supply)
6	Not used
7	Not used
8	Not used
9	Not used

Linear Servomotor
Connector Specifications



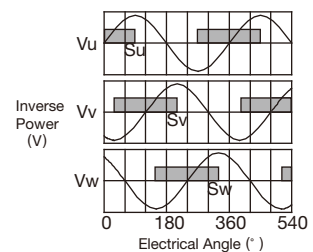
Extension: SROC06JM5CN169
Pin : 021.423.1020
by Interconnectron GmbH

The Mating Connector
Plug : SPUC06KFSDN236
Socket: 020.030.1020

Pin No.	Signal	Wire Color
1	Phase U	Red
2	Phase V	White
3	Phase W	Blue
4	Not used	-
5	Not used	-
6	FG	Green

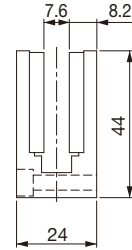
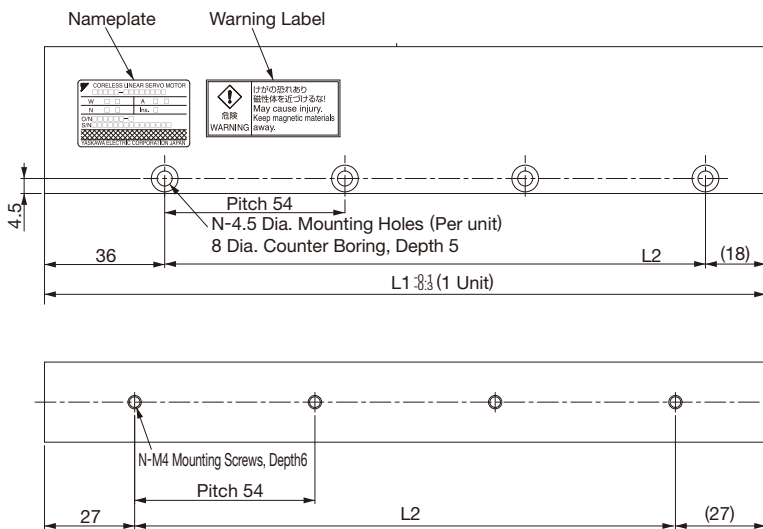
Hall Sensor Output Signals

When the moving coil moves in the direction indicated by the arrow in the figure, the relationship between the hall sensor output signals S_u , S_v , S_w and the inverse power of each motor phase V_u , V_v , V_w becomes as shown in the figure below.



External Dimensions Units: mm

● Magnetic Way: SGLGM-30□□□A



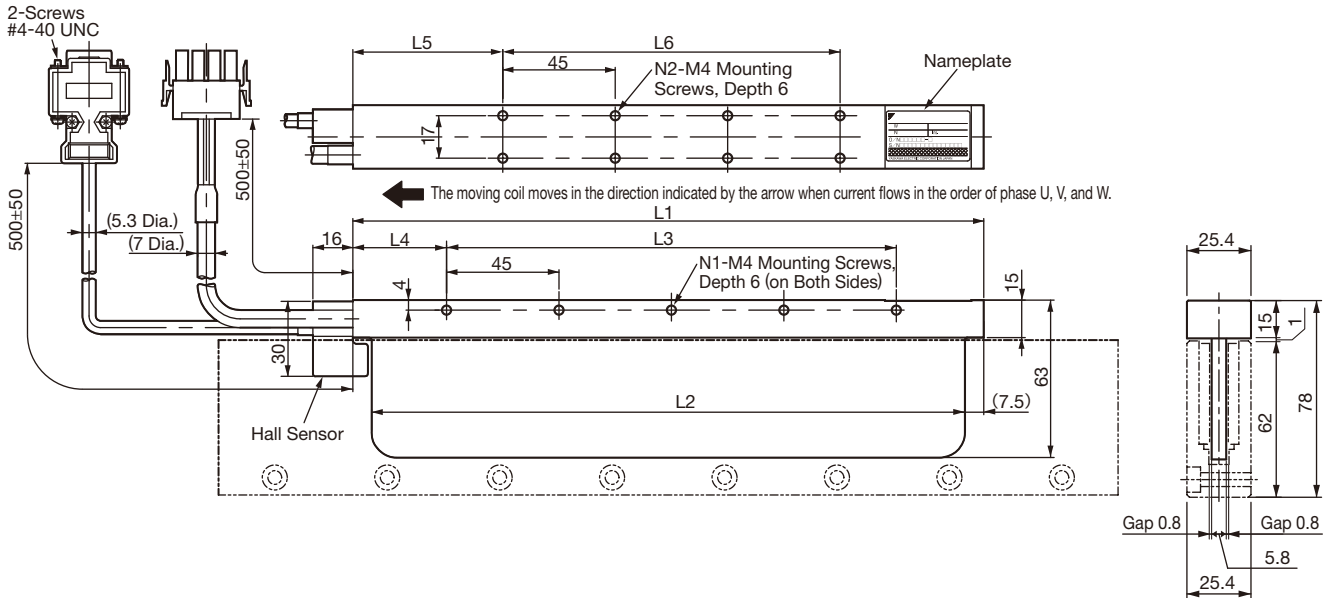
Magnetic Way Model SGLGM-	L1	L2	N	Approx. Mass kg
30108A	108	54	2	0.6
30216A	216	162	4	1.1
30432A	432	378	8	2.3

Note: If you have a pacemaker or any other electronic medical device, do not go near the magnetic way of the linear servomotor.

External Dimensions Units: mm

(2) SGLGW-40

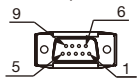
- Moving Coil: SGLGW-40A□□□C□ (With a connector by Tyco Electronics Japan G.K.)



Moving Coil Model SGLGW-	L1	L2	L3	L4	L5	L6	N1	N2	Approx. Mass* kg
40A140C□	140	125	90	30	52.5	45	3	4	0.40
40A253C□	252.5	237.5	180	37.5	60	135	5	8	0.66
40A365C□	365	350	315	30	52.5	270	8	14	0.93

*: The values indicate the mass of moving coil with a hall sensor unit.

Hall Sensor Connector Specifications



Pin Connector :
17JE-23090-02 (D8C)
by DDK Ltd.

The Mating Connector
Socket Connector :
17JE-13090-02 (D8C)
Stud : 17L-002C or
17L-002C1

Pin No.	Signal
1	+5V (Power supply)
2	Phase U
3	Phase V
4	Phase W
5	0V (Power supply)
6	Not used
7	Not used
8	Not used
9	Not used

Linear Servomotor Connector Specifications



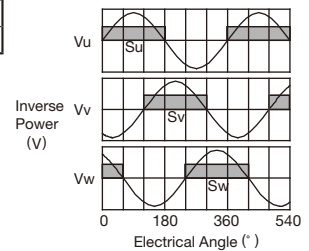
Plug : 350779-1
Pin : 350561-3 or
350690-3 (No.1 to 3)
350654-1
350669-1 (No.4)
by Tyco Electronics Japan G.K.

The Mating Connector
Cap : 350780-1
Socket : 350570-3 or
350689-3

Pin No.	Signal	Wire Color
1	Phase U	Red
2	Phase V	White
3	Phase W	Blue
4	FG	Green

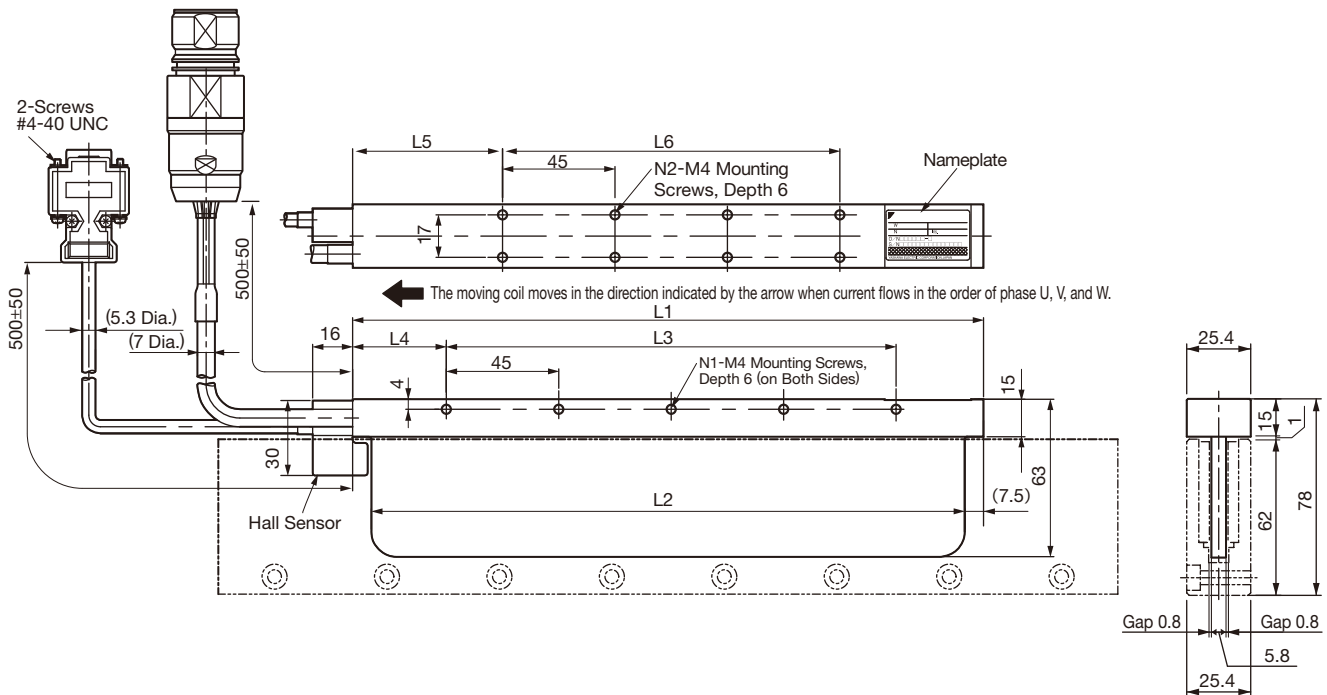
Hall Sensor Output Signals

When the moving coil moves in the direction indicated by the arrow in the figure, the relationship between the hall sensor output signals Su, Sv, Sw and the inverse power of each motor phase Vu, Vv, Vw becomes as shown in the figure below.



External Dimensions Units: mm

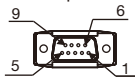
- Moving Coil: SGLGW-40A□□□C□D (With a connector by Interconnectron GmbH)



Moving Coil Model SGLGW-	L1	L2	L3	L4	L5	L6	N1	N2	Approx. Mass* kg
40A140C□D	140	125	90	30	52.5	45	3	4	0.40
40A253C□D	252.5	237.5	180	37.5	60	135	5	8	0.66
40A365C□D	365	350	315	30	52.5	270	8	14	0.93

*: The values indicate the mass of moving coil with a hall sensor unit.

Hall Sensor Connector Specifications



Pin Connector :
17JE-23090-02 (D8C)
by DDK Ltd.

The Mating Connector
Socket Connector :
17JE-13090-02 (D8C)
Stud : 17L-002C or
17L-002C1

Pin No.	Signal
1	+5V (Power supply)
2	Phase U
3	Phase V
4	Phase W
5	0V (Power supply)
6	Not used
7	Not used
8	Not used
9	Not used

Linear Servomotor Connector Specifications



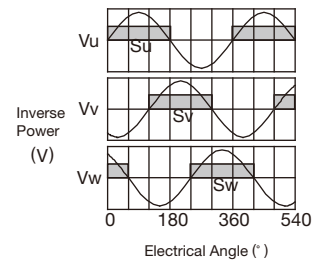
Extension: SROC06JMCSN169
Pin : 021.423.1020
by Interconnectron GmbH

The Mating Connector
Plug : SPUC06KFSDN236
Socket: 020.030.1020

Pin No.	Signal	Wire Color
1	Phase U	Red
2	Phase V	White
3	Phase W	Blue
4	Not used	-
5	Not used	-
6	FG	Green

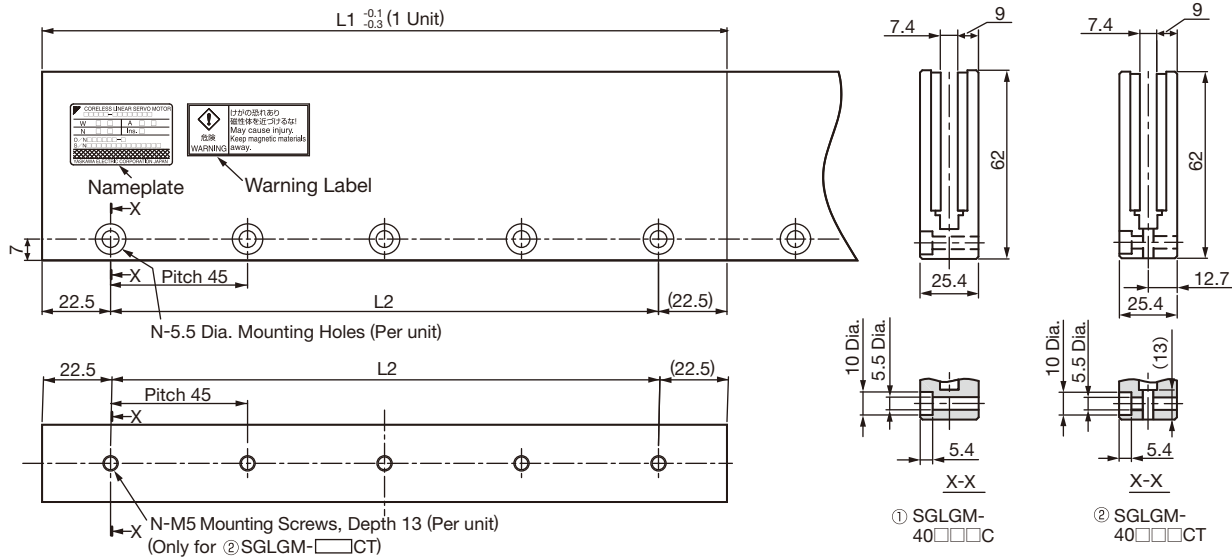
Hall Sensor Output Signals

When the moving coil moves in the direction indicated by the arrow in the figure, the relationship between the hall sensor output signals S_u , S_v , S_w and the inverse power of each motor phase V_u , V_v , V_w becomes as shown in the figure below.



External Dimensions Units: mm

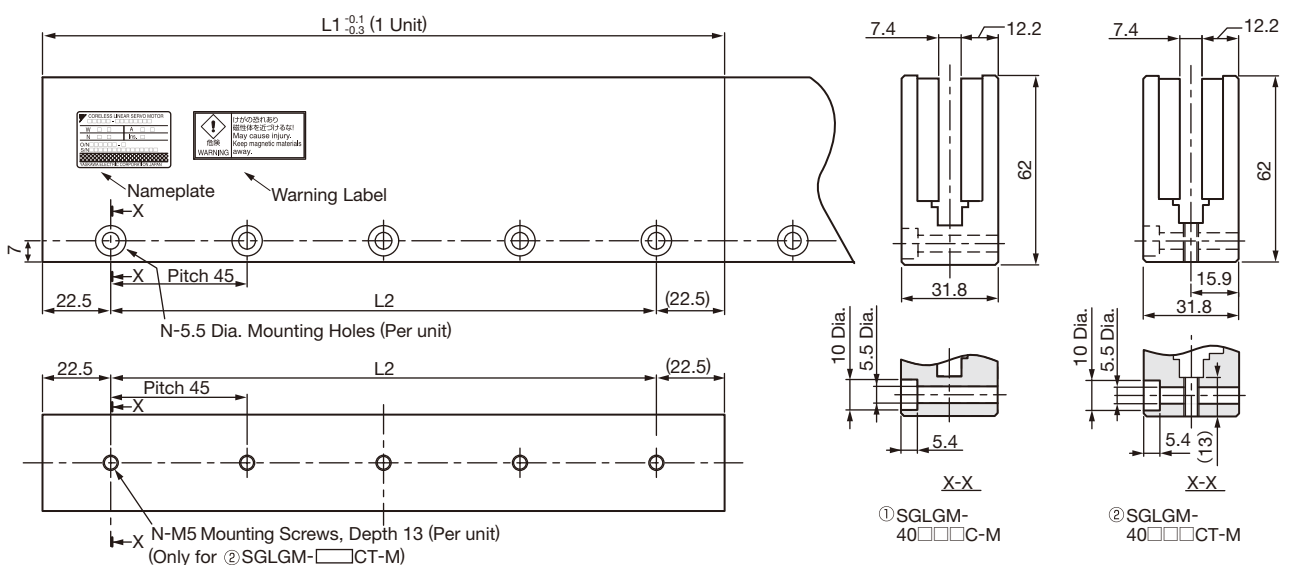
- Magnetic Way : SGLGM-40□□□C (Without mounting holes on the bottom)
SGLGM-40□□□CT (With mounting holes on the bottom)



Type	Standard-force Magnetic Way Model SGLGM-	L1	L2	N	Approx. Mass kg
Standard Force	40090C or 40090CT	90	45	2	0.8
	40225C or 40225CT	225	180	5	2.0
	40360C or 40360CT	360	315	8	3.1
	40405C or 40405CT	405	360	9	3.5
	40450C or 40450CT	450	405	10	3.9

Note: If you have a pacemaker or any other electronic medical device, do not go near the magnetic way of the linear servomotor.

- High-force Magnetic Way : SGLGM-40□□□C-M (Without mounting holes on the bottom)
SGLGM-40□□□CT-M (With mounting holes on the bottom)



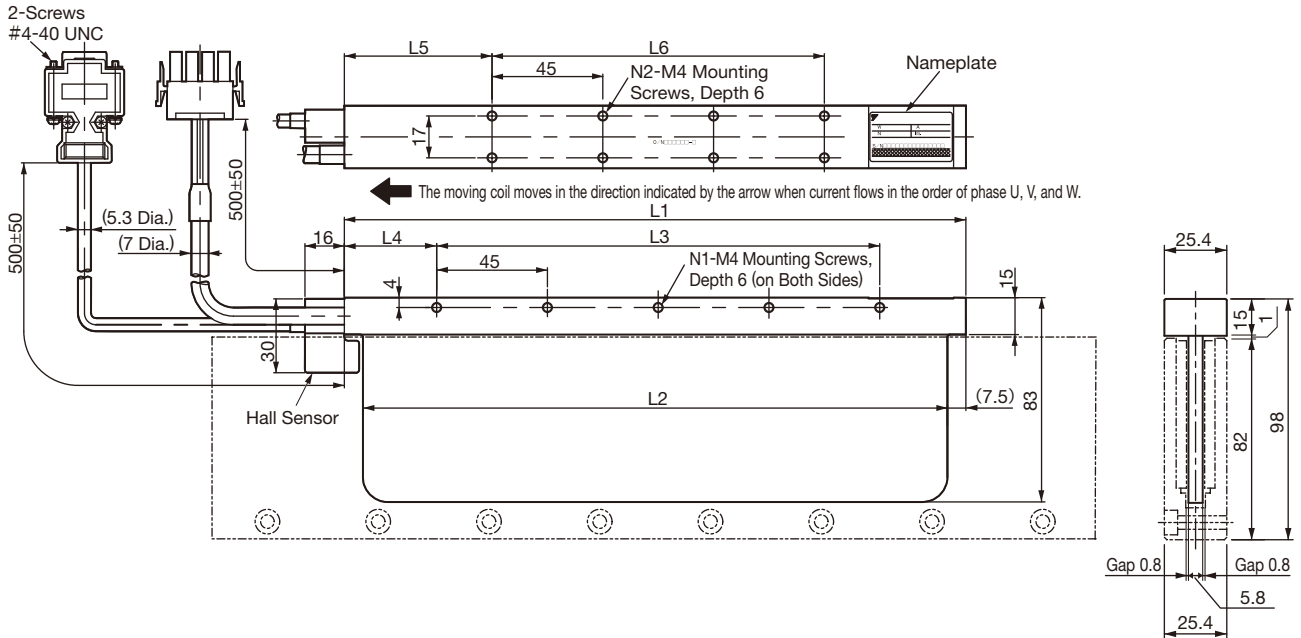
Type	High-force Magnetic Way Model SGLGM-	L1	L2	N	Approx. Mass kg
High Force	40090C-M or 40090CT-M	90	45	2	1.0
	40225C-M or 40225CT-M	225	180	5	2.6
	40360C-M or 40360CT-M	360	315	8	4.1
	40405C-M or 40405CT-M	405	360	9	4.6
	40450C-M or 40450CT-M	450	405	10	5.1

Note: If you have a pacemaker or any other electronic medical device, do not go near the magnetic way of the linear servomotor.

External Dimensions Units: mm

(3) SGLGW-60

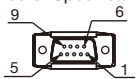
- Moving Coil: SGLGW-60A□□□□ (With a connector by Tyco Electronics Japan G.K.)



Moving Coil Model SGLGW-	L1	L2	L3	L4	L5	L6	N1	N2	Approx. Mass* kg
60A140C□	140	125	90	30	52.5	45	3	4	0.48
60A253C□	252.5	237.5	180	37.5	60	135	5	8	0.82
60A365C□	365	350	315	30	52.5	270	8	14	1.16

*: The values indicate the mass of moving coil with a hall sensor unit.

Hall Sensor Connector Specifications

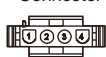


Pin Connector :
17JE-23090-02 (D8C)
by DDK Ltd.

The Mating Connector
Socket Connector :
17JE-13090-02 (D8C)
Stud : 17L-002C or
17L-002C1

Pin No.	Signal
1	+5V (Power supply)
2	Phase U
3	Phase V
4	Phase W
5	0V (Power supply)
6	Not used
7	Not used
8	Not used
9	Not used

Linear Servomotor Connector Specifications



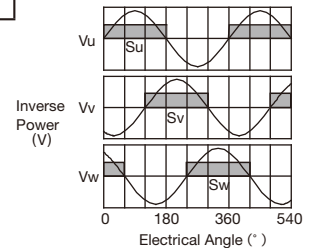
Plug : 350779-1
Pin : 350561-3 or
350690-3 (No.1 to 3)
350654-1
350669-1 (No.4)
by Tyco Electronics Japan G.K.

The Mating Connector
Cap : 350780-1
Socket : 350570-3 or
350689-3

Pin No.	Signal	Wire Color
1	Phase U	Red
2	Phase V	White
3	Phase W	Blue
4	FG	Green

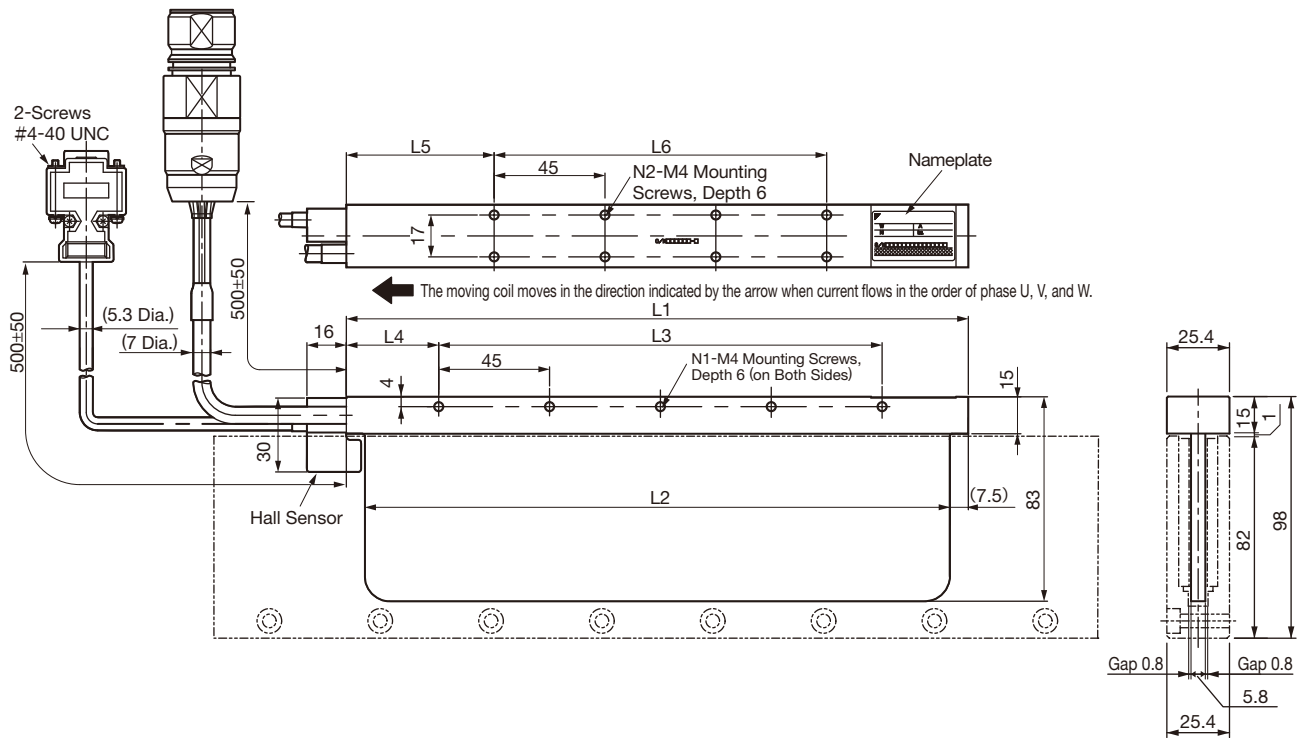
Hall Sensor Output Signals

When the moving coil moves in the direction indicated by the arrow in the figure, the relationship between the hall sensor output signals S_u , S_v , S_w and the inverse power of each motor phase V_u , V_v , V_w becomes as shown in the figure below.



External Dimensions Units: mm

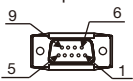
- Moving Coil: SGLGW-60A□□□C□D (With a connector by Interconnectron GmbH)



Moving Coil Model SGLGW-	L1	L2	L3	L4	L5	L6	N1	N2	Approx. Mass* kg
60A140C□D	140	125	90	30	52.5	45	3	4	0.48
60A253C□D	252.5	237.5	180	37.5	60	135	5	8	0.82
60A365C□D	365	350	315	30	52.5	270	8	14	1.16

*: The values indicate the mass of moving coil with a hall sensor unit.

Hall Sensor Connector Specifications



Pin Connector : 17JE-23090-02 (D8C) by DDK Ltd.

The Mating Connector
Socket Connector : 17JE-13090-02 (D8C)
Stud : 17L-002C or 17L-002C1

Pin No.	Signal
1	+5V (Power supply)
2	Phase U
3	Phase V
4	Phase W
5	0V (Power supply)
6	Not used
7	Not used
8	Not used
9	Not used

Linear Servomotor Connector Specifications



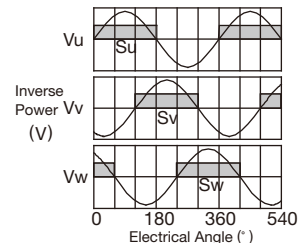
Extension: SROC06JM5CN169
Pin : 021.423.1020
by Interconnectron GmbH

The Mating Connector
Plug : SPUC06KFSDN236
Socket : 020.030.1020

Pin No.	Signal	Wire Color
1	Phase U	Red
2	Phase V	White
3	Phase W	Blue
4	Not used	-
5	Not used	-
6	FG	Green

Hall Sensor Output Signals

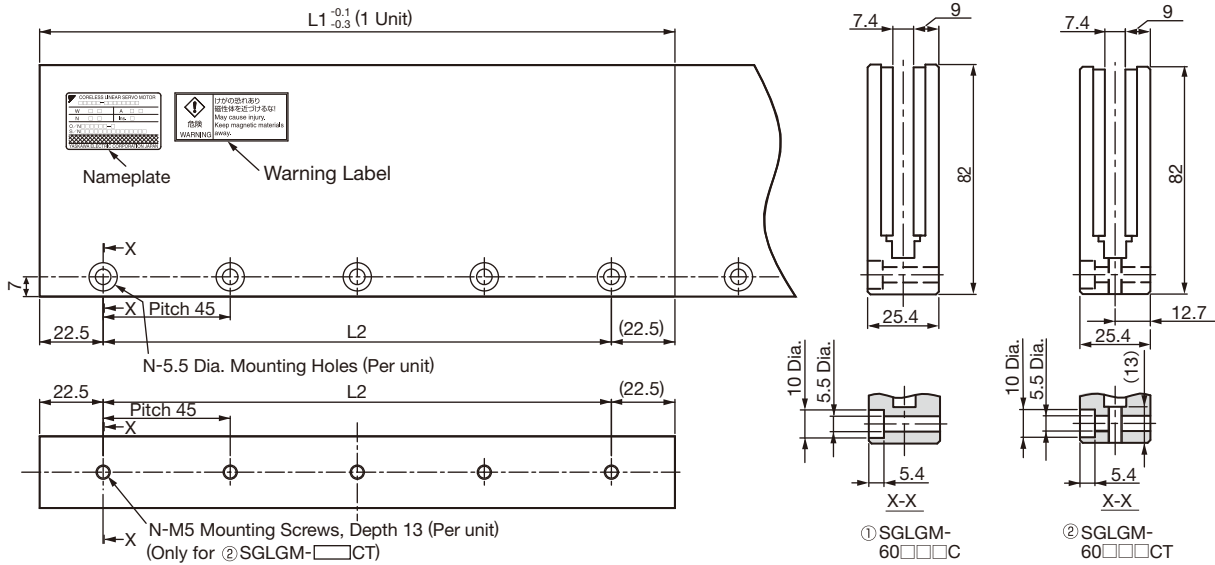
When the moving coil moves in the direction indicated by the arrow in the figure, the relationship between the hall sensor output signals Su, Sv, Sw and the inverse power of each motor phase Vu, Vv, Vw becomes as shown in the figure below.



SGLGW

External Dimensions Units: mm

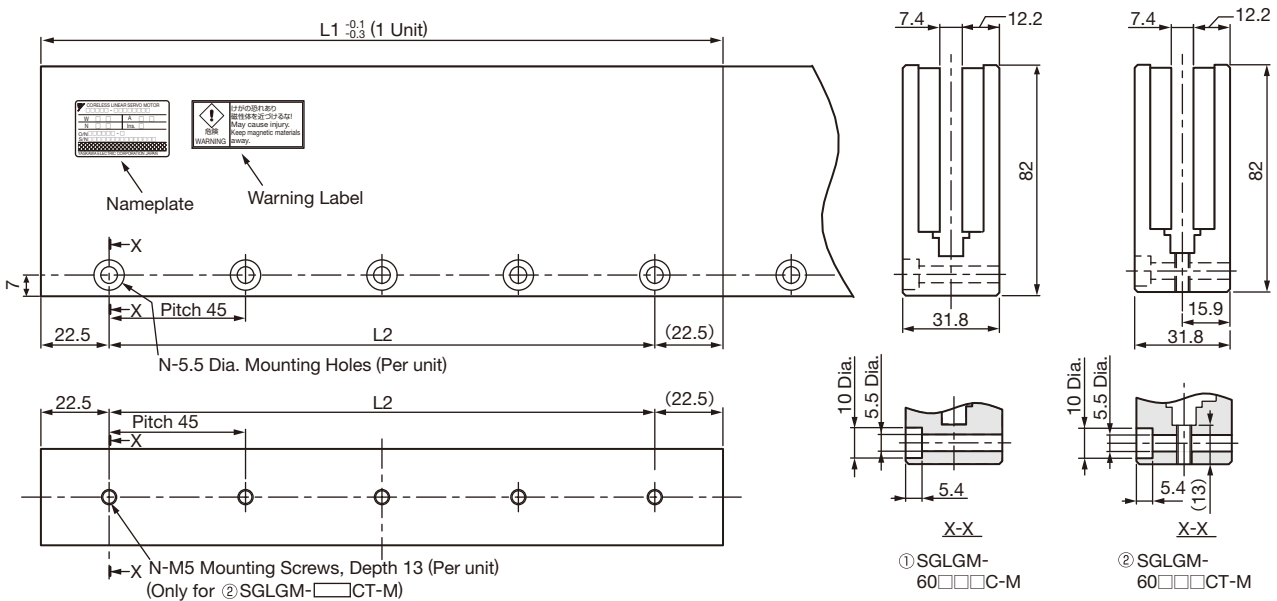
- Magnetic Way : SGLGM-60□□□C (Without mounting holes on the bottom)
SGLGM-60□□□CT (With mounting holes on the bottom)



Type	Standard-force Magnetic Way Model SGLGM-	L1	L2	N	Approx. Mass kg
Standard Force	60090C or 60090CT	90	45	2	1.1
	60225C or 60225CT	225	180	5	2.6
	60360C or 60360CT	360	315	8	4.1
	60405C or 60405CT	405	360	9	4.6
	60450C or 60450CT	450	405	10	5.1

Note: If you have a pacemaker or any other electronic medical device, do not go near the magnetic way of the linear servomotor.

- High-force Magnetic Way : SGLGM-60□□□C-M (Without mounting holes on the bottom)
SGLGM-60□□□CT-M (With mounting holes on the bottom)



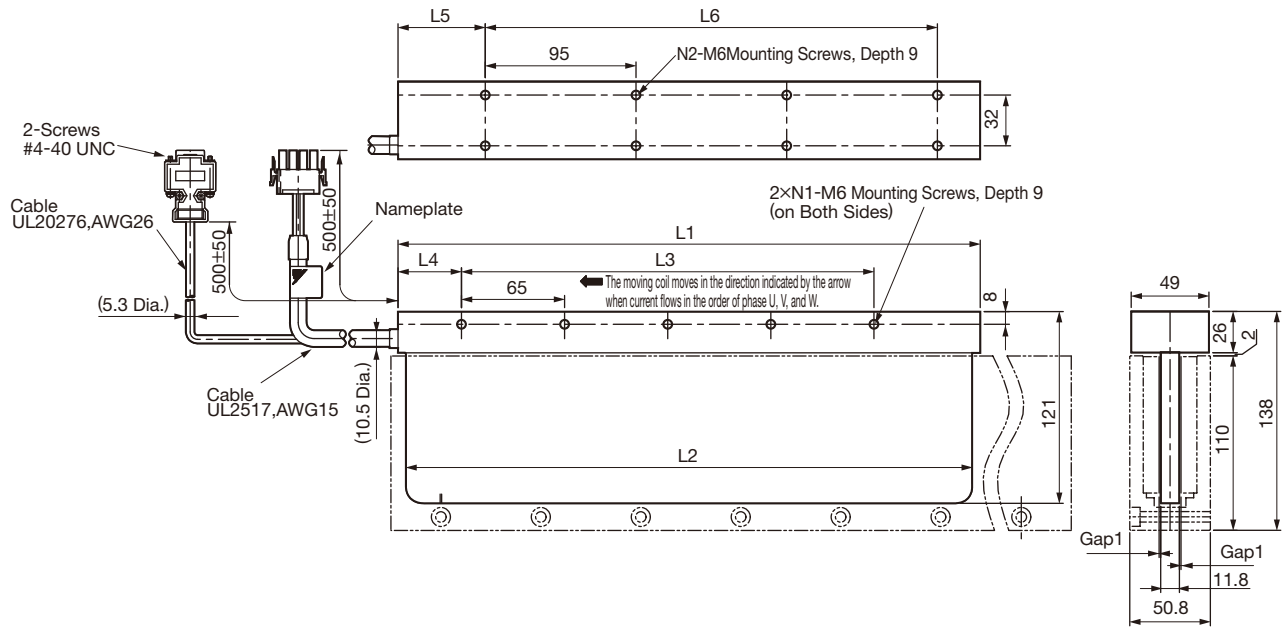
Type	High-force Magnetic Way Model SGLGM-	L1	L2	N	Approx. Mass kg
High Force	60090C-M or 60090CT-M	90	45	2	1.3
	60225C-M or 60225CT-M	225	180	5	3.3
	60360C-M or 60360CT-M	360	315	8	5.2
	60405C-M or 60405CT-M	405	360	9	5.9
	60450C-M or 60450CT-M	450	405	10	6.6

Note: If you have a pacemaker or any other electronic medical device, do not go near the magnetic way of the linear servomotor.

External Dimensions Units: mm

(4) SGLGW-90

- Moving Coil: SGLGW-90A□□□C□ (With a connector by Tyco Electronics Japan G.K.)



Moving Coil Model SGLGW-	L1	L2	L3	L4	L5	L6	N1	N2	Approx. Mass* kg
90A200C□	199	189	130	40	60	95	3	4	2.2
90A370C□	367	357	260	40	55	285	5	8	3.65
90A535C□	535	525	455	40	60	380	8	10	4.95

*: The values indicate the mass of moving coil with a hall sensor unit.

Hall Sensor Connector Specifications



Pin Connector :
17JE-23090-02 (D8C)
by DDK Ltd.

The Mating Connector
Socket Connector :
17JE-13090-02 (D8C)
Stud : 17L-002C or
17L-002C1

Pin No.	Signal
1	+5V (Power supply)
2	Phase U
3	Phase V
4	Phase W
5	0V (Power supply)
6	Not used
7	Not used
8	Not used
9	Not used

Linear Servomotor Connector Specifications



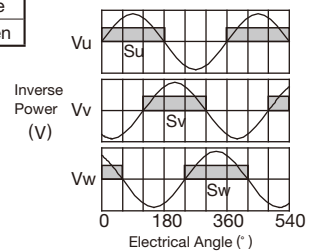
Plug : 350779-1
Pin : 350218-3 or
350547-3 (No.1 or 3)
350654-1
350669-1 (No.4)
by Tyco Electronics Japan G.K.

The Mating Connector
Cap : 350780-1
Socket : 350537-3 or
350550-3

Pin No.	Signal	Wire Color
1	Phase U	Red
2	Phase V	White
3	Phase W	Blue
4	FG	Green

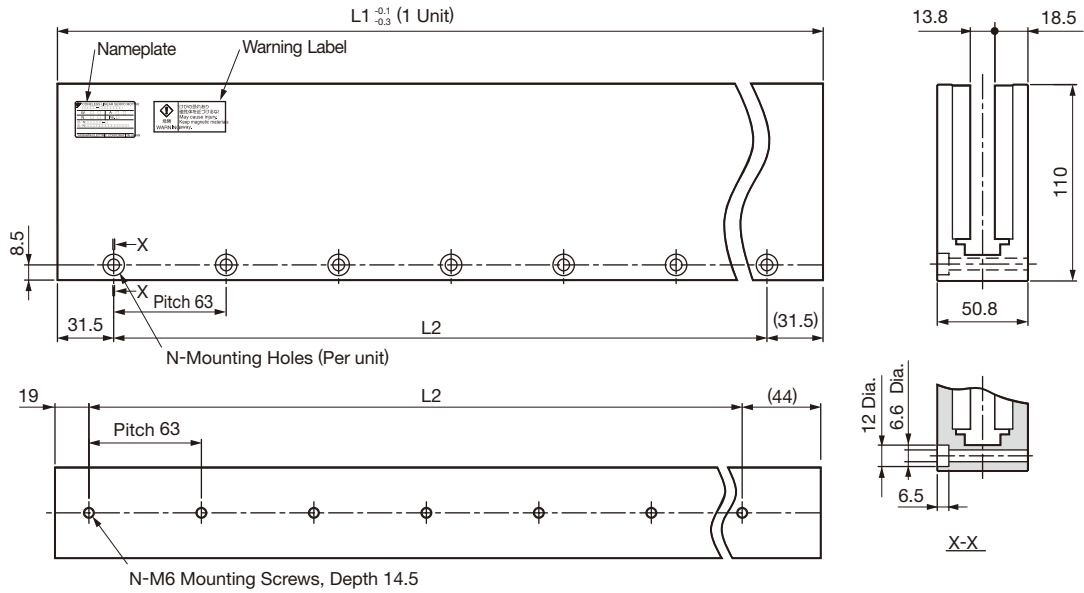
Hall Sensor Output Signals

When the moving coil moves in the direction indicated by the arrow in the figure, the relationship between the hall sensor output signals Su, Sv, Sw and the inverse power of each motor phase Vu, Vv, Vw becomes as shown in the figure below.



External Dimensions Units: mm

● Magnetic Way: SGLGM-90□□□A

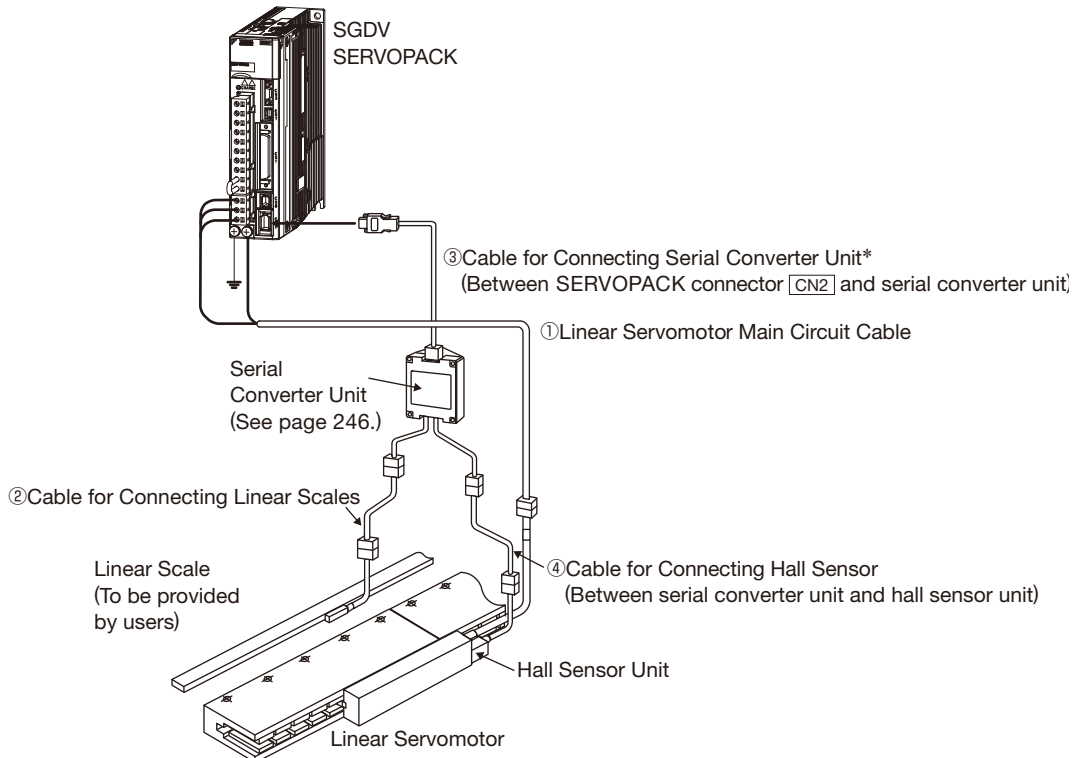


Note: If you have a pacemaker or any other electronic medical device, do not go near the magnetic way of the linear servomotor.

Magnetic Way SGLGM-	L1	L2	N	Approx. Mass kg
90252A	252	189	4	7.3
90504A	504	441	8	14.7

Selecting Cables

● Cables Connections



*: A serial converter unit can be connected directly to an absolute linear scale.

● Cables

Name	Applicable Linear Servomotor Model	Length	Order No.	Specifications	Details
① Linear Servomotor Main Circuit Cables	SGLGW-30, -40, -60	1 m	JZSP-CLN11-01-E	 SERVOPACK End Linear Servomotor End *1	(1)
		3 m	JZSP-CLN11-03-E		
		5 m	JZSP-CLN11-05-E		
		10 m	JZSP-CLN11-10-E		
		15 m	JZSP-CLN11-15-E		
	20 m	JZSP-CLN11-20-E			
	SGLGW-90	1 m	JZSP-CLN21-01-E	 SERVOPACK End Linear Servomotor End *1	(2)
		3 m	JZSP-CLN21-03-E		
		5 m	JZSP-CLN21-05-E		
		10 m	JZSP-CLN21-10-E		
		15 m	JZSP-CLN21-15-E		
	20 m	JZSP-CLN21-20-E			
	SGLGW -30□□□□□□D -40□□□□□□D -60□□□□□□D	1 m	JZSP-CLN14-01-E	 SERVOPACK End Linear Servomotor End *2	(3)
		3 m	JZSP-CLN14-03-E		
		5 m	JZSP-CLN14-05-E		
		10 m	JZSP-CLN14-10-E		
		15 m	JZSP-CLN14-15-E		
		20 m	JZSP-CLN14-20-E		

*1: Connector by Tyco Electronics Japan G.K.
*2: Connector by Interconnectron GmbH

(Cont'd)

SGLGW

Selecting Cables

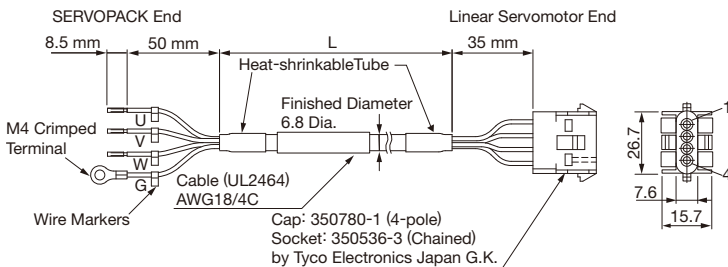
● Cables

Name	Applicable Linear Servomotor Model	Length	Order No.	Specifications	Details
② Cables for Connecting Linear Scales*	For Linear Scale by Renishaw plc.	1 m	JZSP-CLL00-01-E		(4)
		3 m	JZSP-CLL00-03-E		
		5 m	JZSP-CLL00-05-E		
		10 m	JZSP-CLL00-10-E		
	For Linear Scale by HEIDENHAIN Corporation	1 m	JZSP-CLL30-01-E		
		3 m	JZSP-CLL30-03-E		
		5 m	JZSP-CLL30-05-E		
		10 m	JZSP-CLL30-10-E		
③ Cables for Connecting Serial Converter Units	All models	1 m	JZSP-CLP70-01-E		(5)
		3 m	JZSP-CLP70-03-E		
		5 m	JZSP-CLP70-05-E		
		10 m	JZSP-CLP70-10-E		
		15 m	JZSP-CLP70-15-E		
		20 m	JZSP-CLP70-20-E		
④ Cables for Connecting Hall Sensors	All models	1 m	JZSP-CLL10-01-E		(6)
		3 m	JZSP-CLL10-03-E		
		5 m	JZSP-CLL10-05-E		
		10 m	JZSP-CLL10-10-E		
		15 m	JZSP-CLL10-15-E		

*: When using serial converter unit JZDP-G00□-□□□-E, the maximum cable length should be 3 m.

(1) Linear Servomotor Main Circuit Cables: JZSP-CLN11-□□-E

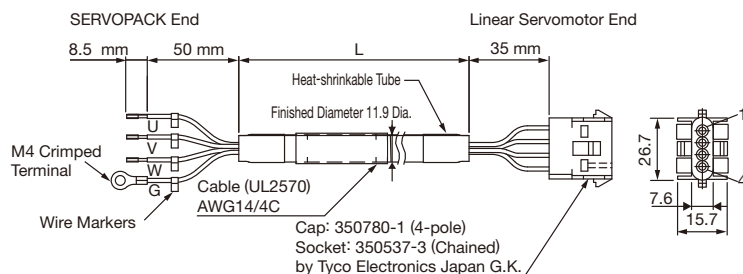
· Wiring Specifications



SERVOPACK-end Leads		Linear Servomotor-end Connector	
Wire Color	Signal	Signal	Pin. No.
Red	Phase U	Phase U	1
White	Phase V	Phase V	2
Blue	Phase W	Phase W	3
Green/yellow	FG	FG	4

(2) Linear Servomotor Main Circuit Cables: JZSP-CLN21-□□-E

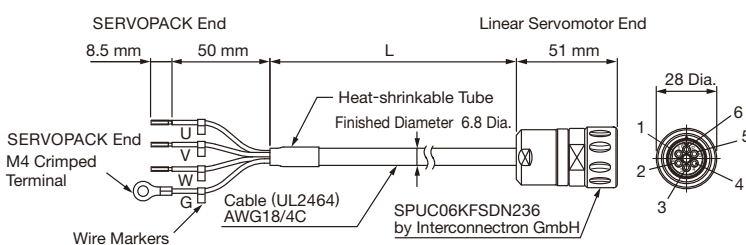
· Wiring Specifications



SERVOPACK-end Leads		Linear Servomotor-end Connector	
Wire Color	Signal	Signal	Pin. No.
Red	Phase U	Phase U	1
White	Phase V	Phase V	2
Blue	Phase W	Phase W	3
Green/yellow	FG	FG	4

(3) Linear Servomotor Main Circuit Cables: JZSP-CLN14-□□-E

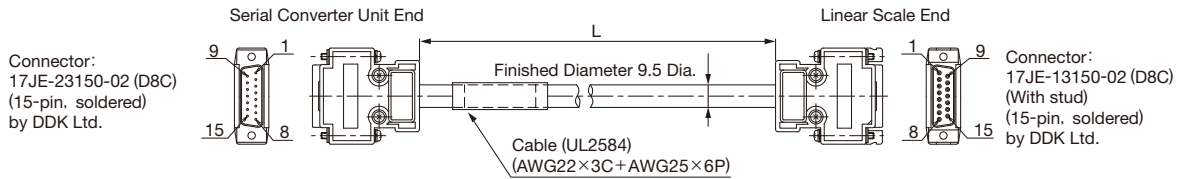
· Wiring Specifications



SERVOPACK-end Leads		Linear Servomotor-end Connector	
Wire Color	Signal	Signal	Pin No.
Black (White 1)	Phase U	Phase U	1
Black (White 2)	Phase V	Phase V	2
Black (White 3)	Phase W	Phase W	3
Green/yellow	FG	—	4
		—	5
		FG	6

Selecting Cables

(4) Cables for Connecting Linear Scales: JZSP-CLL□□-□□-E



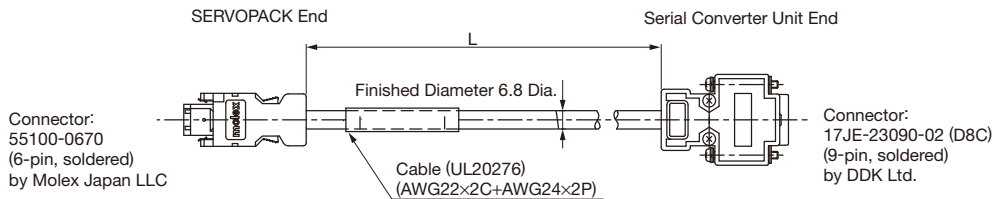
• **JZSP-CLL00-□□-E** (for linear scale by Renishaw)
Wiring Specifications

Serial Converter Unit End			Linear Scale End		
Pin No.	Signal		Pin No.	Signal	
1	/Cos (V1-)		1	/Cos (V1-)	
2	/Sin (V2-)		2	/Sin (V2-)	
3	Ref (V0+)		3	Ref (V0+)	
4	+5V		4	+5V	
5	5Vs		5	5Vs	
6	BID		6	BID	
7	Vx		7	Vx	
8	Vq		8	Vq	
9	Cos (V1+)		9	Cos (V1+)	
10	Sin (V2+)		10	Sin (V2+)	
11	/Ref (V0+)		11	/Ref (V0-)	
12	0V		12	0V	
13	0Vs		13	0Vs	
14	DIR		14	DIR	
15	Inner		15	Inner	
Case	Shield		Case	Shield	

• **JZSP-CLL30-□□-E** (for linear scale by HEIDENHAIN)
Wiring Specifications

Serial Converter Unit End			Linear Scale End		
Pin No.	Signal		Pin No.	Signal	
1	Cos (A+)		1	Cos (A+)	
2	0V		2	0V	
3	Sin (B+)		3	Sin (B+)	
4	+5V		4	+5V	
5	-		5	-	
6	-		6	-	
7	/Ref (R-)		7	/Ref (R-)	
8	-		8	-	
9	/Cos (A-)		9	/Cos (A-)	
10	0Vs		10	0Vs	
11	/Sin (B-)		11	/Sin (B-)	
12	5Vs		12	5Vs	
13	-		13	-	
14	Ref (R+)		14	Ref (R+)	
15	-		15	-	
Case	Shield		Case	Shield	

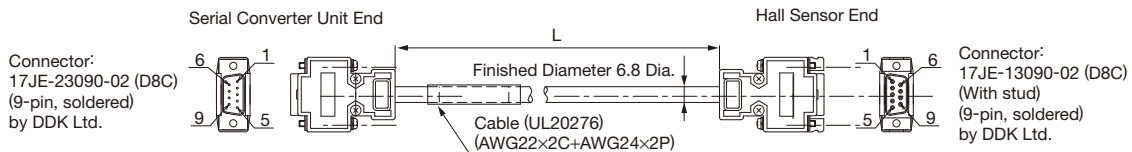
(5) Cables for Connecting Serial Converter Units: JZSP-CLP70-□□-E



• **Wiring Specifications**

SERVOPACK End			Serial Converter Unit End		
Pin No.	Signal	Wire Color	Pin No.	Signal	Wire Color
1	PG5V	Orange	1	+5V	Red
2	PG0V	Green	5	0V	Black
3	-	-	3	-	-
4	-	-	4	-	-
5	PS	Red/light blue	2	Phase S output	Light blue
6	/PS	Black/light blue	6	Phase /S output	Light blue/white
Shell	Shield	-	Case	Shield	-
			7	-	-
			8	-	-
			9	-	-

(6) Cables for Connecting Hall Sensors: JZSP-CLL10-□□-E



• **Wiring Specifications**

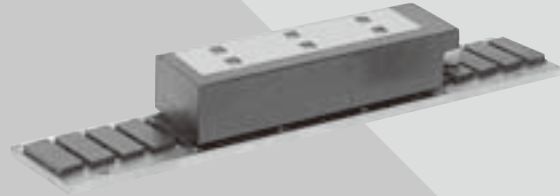
Serial Converter Unit End		Hall Sensor End	
Pin No.	Signal	Pin No.	Signal
1	+5V	1	+5V
2	Phase U input	2	Phase U input
3	Phase V input	3	Phase V input
4	Phase W input	4	Phase W input
5	0V	5	0V
6	-	6	-
7	-	7	-
8	-	8	-
9	-	9	-
Case	Shield	Case	Shield

SGLGW

Linear Servomotors

SGLFW

(With F-type iron core)



Model Designations

• Moving Coil

S G L F W - 20 A 090 A P □

Linear Σ Series Linear Servomotor

1st digit 2nd digit 3rd+4th digits 5th digit 6th+7th+8th digits 9th digit 10th digit 11th digit

1st digit Servomotor Type

Code	Specifications
F	F-type iron core

2nd digit Moving Coil/ Magnetic Way

Code	Specifications
W	Moving Coil

3rd+4th digits Magnet Height

5th digit Voltage

Code	Specifications
A	200 VAC
D	400 VAC

6th+7th+8th digits Length of Moving Coil

9th digit Design Revision Order
A, B...

10th digit Hall Sensor

Code	Specifications
P	With hall sensor
Blank	Without hall sensor

11th digit Connector for Main Circuit Cable

Code	Specifications	Applicable Model
Blank	Connector by Tyco Electronics Japan G.K.	All models
D	Connector by Interconnectron GmbH	SGLFW-35,-50,-1Z□200B,-1ZD380B

• Magnetic Way

S G L F M - 20 324 A □

Linear Σ Series Linear Servomotor

1st digit 2nd digit 3rd+4th digits 5th+6th+7th digits 8th digit 9th digit

1st digit Servomotor Type
(Same as that of the moving coil)

2nd digit Moving Coil/ Magnetic Way

Code	Specifications
M	Magnetic Way

3rd+4th digits Magnet Height

5th+6th+7th digits Length of Magnetic Way

8th digit Design Revision Order
A, B...

9th digit Options

Code	Specifications
Blank	Standard
C	With magnet cover

Features

- Direct-feed mechanism for high-speed and high-precision positioning.
- The magnetic attraction force between the moving and stationary members can be used effectively to increase the rigidity of the linear guidance by preloading the linear motion bearings.
- The magnetic preloading on certain types of compliant linear motion bearings can help increase the system's frequency response, improving its deceleration and settling performances.

Application Examples

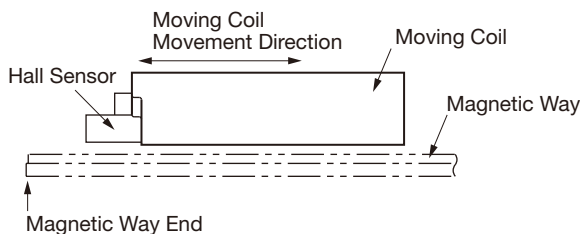
- Feeders and loaders
- Semiconductor equipment
- LCD manufacturing equipment

● Precautions on Moving Coil with Hall Sensor

When using a moving coil with a hall sensor, the magnetic way must completely cover the bottom of the hall sensor. Refer to the example showing the correct installation.

When determining the length of the moving coil's stroke or the length of the magnetic way, consider the total length of the moving coil and the hall sensor unit. Refer to the following table.

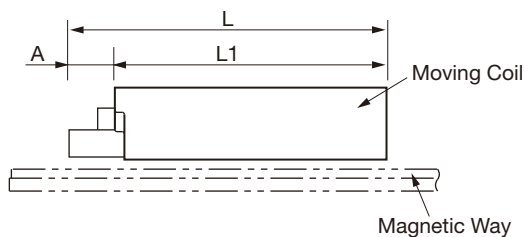
< Correct >



< Incorrect >



The total length of moving coil with hall sensor



Moving Coil Model SGLFW-	Length of Moving Coil L1 (mm)	Length of Hall Sensor Unit A (mm)	Total Length L (mm)
20A090AP□	91	22	113
20A120AP□	127		149
35□120AP□	127	22	149
35□230AP□	235		257
50□200□P□	215	22	237
50□380□P□	395		417
1Z□200□P□	215	22	237
1Z□380□P□	395		417

Ratings and Specifications

Time Rating: Continuous

Insulation Resistance: 500 VDC, 10 MΩ min.

Ambient Temperature: 0 to 40°C

Excitation: Permanent magnet

Withstand Voltage: 1500 VAC for one minute

Enclosure: Self-cooled

Ambient Humidity: 20% to 80% (no condensation)

Allowable Winding Temperature: 130°C (Thermal class B)

200-V Class

Linear Servomotor Model SGLFW-□□□□		20A		35A		50A		1ZA	
		090A	120A	120A	230A	200B	380B	200B	380B
Peak Speed	m/s	5.0	5.0	5.0	5.0	5.0	5.0	4.9	4.9
Rated Force*	N	25	40	80	160	280	560	560	1120
Rated Current*	Arms	0.70	0.80	1.4	2.8	5.0	10.0	8.7	17.5
Peak Force*	N	86	125	220	440	600	1200	1200	2400
Peak Current*	Arms	3.0	2.9	4.4	8.8	12.4	25.0	21.6	43.6
Moving Coil Mass	kg	0.7	0.9	1.3	2.3	3.5	6.9	6.4	11.5
Force Constant	N/Arms	36.0	54.0	62.4	62.4	60.2	60.2	69.0	69.0
BEMF Constant	V/ (m/s)	12.0	18.0	20.8	20.8	20.1	20.1	23.0	23.0
Motor Constant	N/√w	7.9	9.8	14.4	20.4	34.3	48.5	52.4	74.0
Electrical Time Constant	ms	3.2	3.3	3.6	3.6	15.9	15.8	18.3	18.3
Mechanical Time Constant	ms	11.0	9.3	6.2	5.5	3.0	2.9	2.3	2.1
Thermal Resistance (With Heat Sink)	K/W	4.35	3.19	1.57	0.96	0.56	0.38	0.47	0.2
Thermal Resistance (Without Heat Sink)	K/W	7.69	5.02	4.10	1.94	1.65	0.95	1.3	0.73
Magnetic Attraction	N	314	462	809	1590	1650	3260	3300	6520
Applicable SERVOPACK	SGDV-	1R6A, 2R1F	1R6A, 2R1F	1R6A, 2R1F	3R8A	5R5A	120A	120A	200A

Notes: 1 The items marked with an * and *Force and Speed Characteristics* (the table on the next page) are the values at a motor winding temperature of 100°C during operation in combination with a SERVOPACK. The others are at 20°C.

2 The above specifications show the values under the cooling condition when a heat sink (aluminum board) listed in the following table is mounted on the moving coil.

Heat Sink Size	Heat Sink Size
125 mm×125 mm×13 mm	SGLFW-20A090A, -20A120A
254 mm×254 mm×25 mm	SGLFW-35A120A, -35A230A
400 mm×500 mm×40 mm	SGLFW-50A200B, -50A380B, -1ZA200B
600 mm×762 mm×50 mm	SGLFW-1ZA380B

400-V Class

Linear Servomotor Model SGLFW-□□□□		35D		50D		1ZD	
		120A	230A	200B	380B	200B	380B
Peak Speed	m/s	4.5	4.5	5.0	5.0	5.0	5.0
Rated Force*	N	80	160	280	560	560	1120
Rated Current*	Arms	0.6	1.3	2.3	4.5	4.9	9.8
Peak Force*	N	220	440	600	1200	1200	2400
Peak Current*	Arms	2.0	4.0	5.6	11.0	12.3	24.6
Moving Coil Mass	kg	1.3	2.3	3.5	6.9	6.4	11.5
Force Constant	N/Arms	136.0	136.0	134.7	134.7	122.6	122.6
BEMF Constant	V/ (m/s)	45.3	45.3	44.9	44.9	40.9	40.9
Motor Constant	N/√w	14.2	20.1	33.4	47.2	51.0	72.1
Electrical Time Constant	ms	3.7	3.6	15.0	15.0	17.4	17.2
Mechanical Time Constant	ms	5.2	5.1	3.2	3.2	2.5	2.2
Thermal Resistance (With Heat Sink)	K/W	1.57	0.96	0.56	0.38	0.47	0.2
Thermal Resistance (Without Heat Sink)	K/W	4.1	1.94	1.65	0.95	1.3	0.73
Magnetic Attraction	N	810	1590	1650	3260	3300	6520
Applicable SERVOPACK	SGDV-	1R9D	1R9D	3R5D	5R4D	5R4D	120D

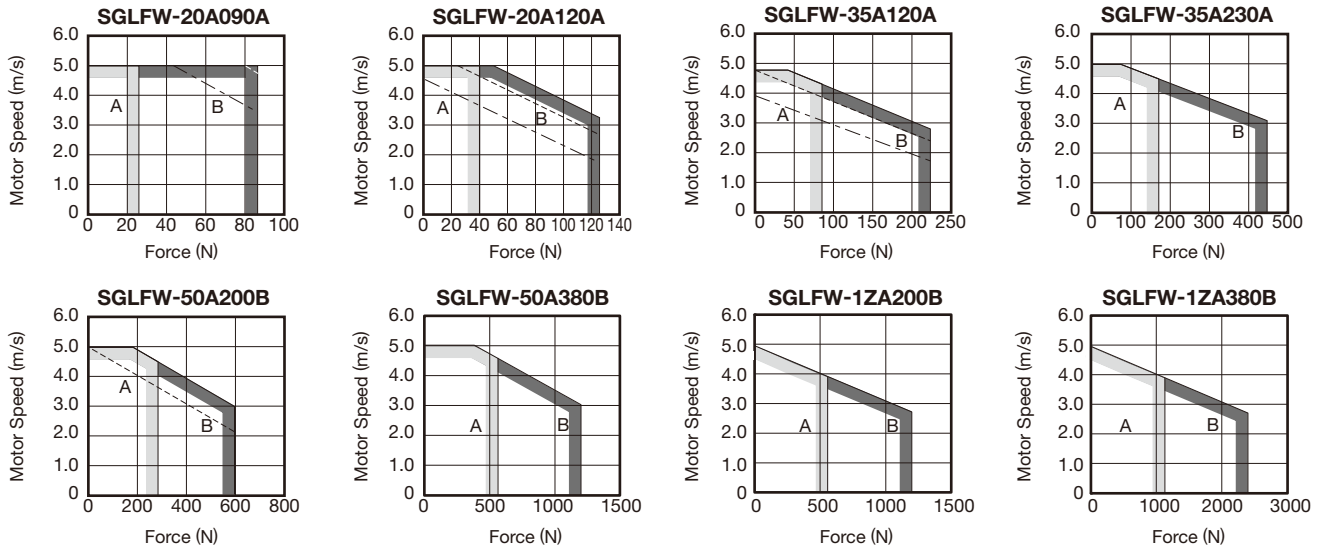
Notes: 1 The items marked with an * and *Force and Speed Characteristics* (the table on the next page) are the values at a motor winding temperature of 100°C during operation in combination with a SERVOPACK. The others are at 20°C.

2 The above specifications show the values under the cooling condition when a heat sink (aluminum board) listed in the following table is mounted on the moving coil.

Heat Sink Size	Heat Sink Size
254 mm×254 mm×25 mm	SGLFW-35D120A, -35D230A
400 mm×500 mm×40 mm	SGLFW-50D200B, -50D380B, -1ZD200B
600 mm×762 mm×50 mm	SGLFW-1ZD380B

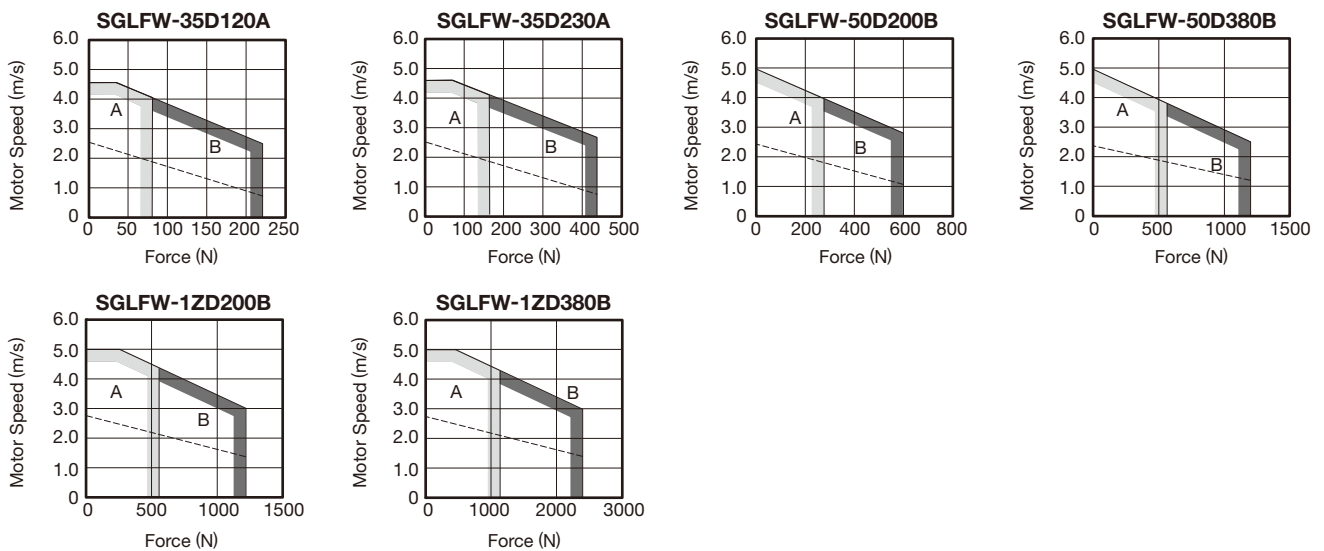
Ratings and Specifications

● **Force and Speed Characteristics** **A** : Continuous Duty Zone **B** : Intermittent Duty Zone
200-V Class



Notes: 1 The characteristics of the intermittent duty zone differ depending on the supply voltage. The solid, dotted, and dashed-dotted lines of the intermittent duty zone indicate the characteristics when a servomotor runs with the following combinations:
 · The solid line: With a three-phase 200 V SERVOPACK
 · The dotted line: With a single-phase 200 V SERVOPACK
 · The dashed-dotted line: With a single-phase 100 V SERVOPACK
 2 When the effective force is within the rated force, the servomotor can be used within the intermittent duty zone.

400-V Class



Notes: 1 The characteristics of the intermittent duty zone differ depending on the supply voltage. The solid and dotted lines of the intermittent duty zone indicate the characteristics when a servomotor runs with the following combinations:
 · The solid line: With a three-phase 400 V SERVOPACK
 · The dotted line: With a three-phase 200 V SERVOPACK
 2 When using the servomotor with a three-phase 200-V input power supply, a different serial converter unit is required. For details, contact your Yaskawa representative.
 3 When the effective force is within the rated force, the servomotor can be used within the intermittent duty zone.

● **Mechanical Specifications**

(1) Impact Resistance

- Impact acceleration: 196 m/s²
- Impact occurrences: twice

(2) Vibration Resistance

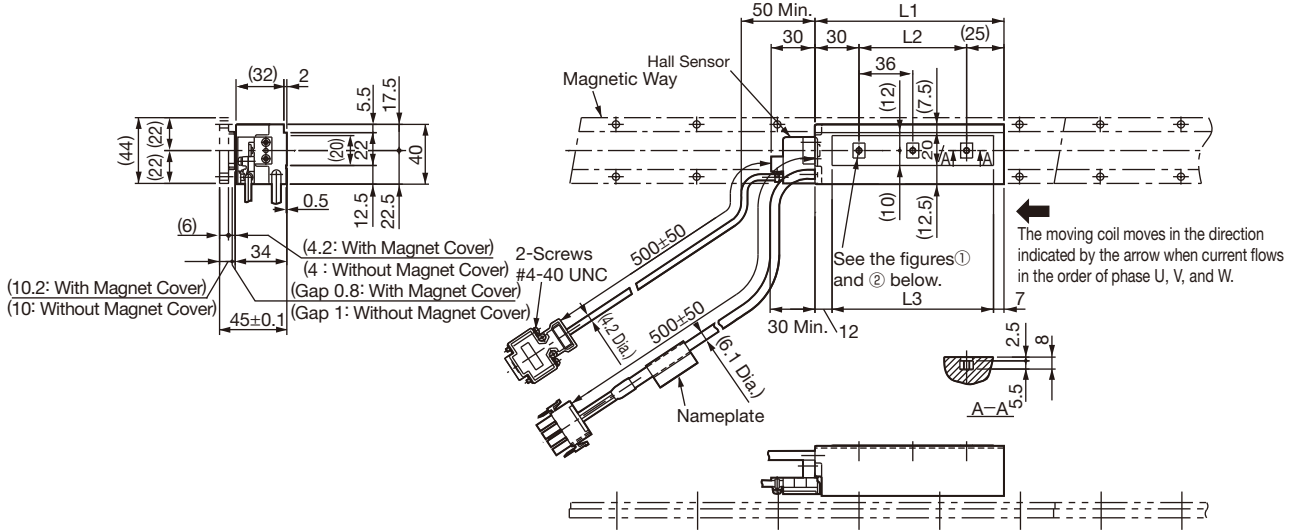
The linear servomotors will withstand the following vibration acceleration in three directions: Vertical, side to side, and front to back.

- Vibration acceleration: 49 m/s²

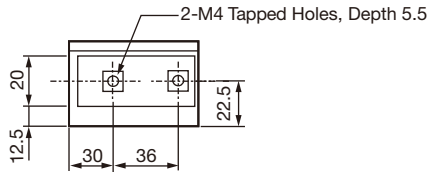
External Dimensions Units: mm

(1) SGLFW-20

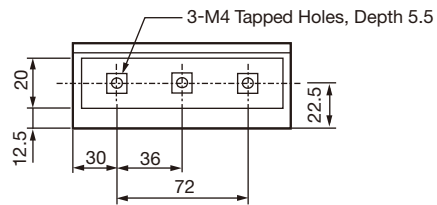
● Moving Coil: SGLFW-20A□□□A□ (With a connector by Tyco Electronics Japan G.K.)



① SGLFW-20A090A□



② SGLFW-20A120A□



Moving Coil Model SGLFW-	L1	L2	L3	Approx. Mass kg
20A090A□	91	36	72	0.7
20A120A□	127	72	108	0.9

Hall Sensor

Connector Specifications



Pin Connector :
17JE-13090-02 (D8C)
by DDK Ltd.

The Mating Connector

Socket Connector:
17JE-13090-02 (D8C)
Stud: 17L-002C or
17L-002C1

Pin No.	Signal
1	+5V (Power supply)
2	Phase U
3	Phase V
4	Phase W
5	0V (Power supply)
6	Not used
7	Not used
8	Not used
9	Not used

Linear Servomotor

Connector Specifications



Plug:350779-1
Pin :350218-3 or
350547-3(No.1 to 3)
350654-1
350669-1(No.4)
by Tyco Electronics Japan G.K.

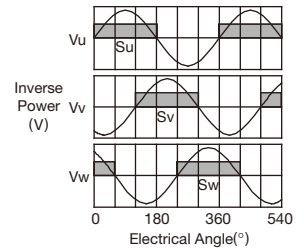
The Mating Connector

Cap : 350780-1
Socket: 350536-3 or
350550-3

Note: Models compatible with connectors by Interconnectron GmbH are also available.

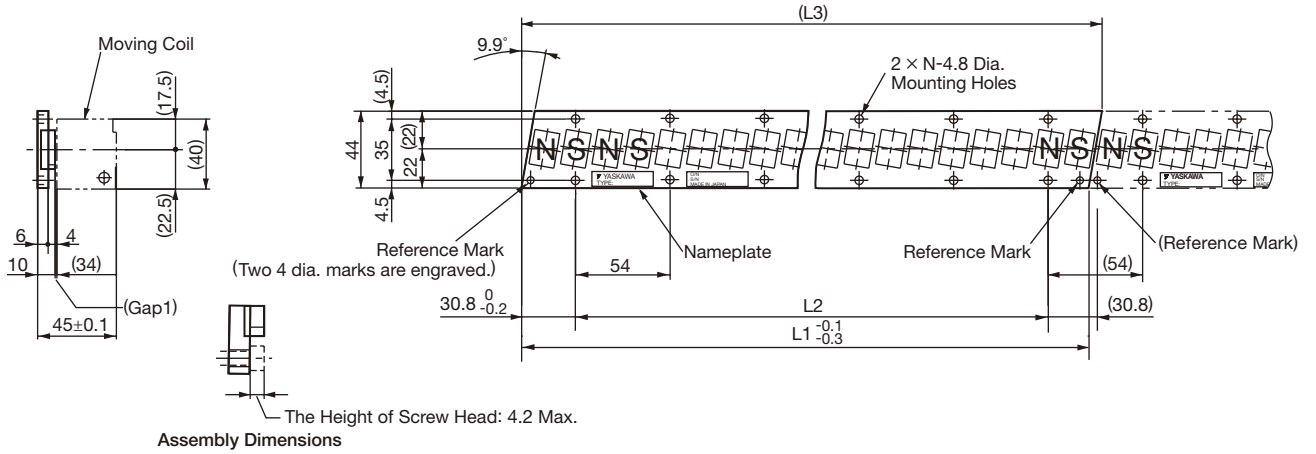
Hall Sensor Output Signals

When the moving coil moves in the direction indicated by the arrow in the figure, the relationship between the hall sensor output signals Su, Sv, Sw and the inverse power of each motor phase Vu, Vv, Vw becomes as shown in the figure below.



External Dimensions Units: mm

● Magnetic Way: SGLFM-20□□□A



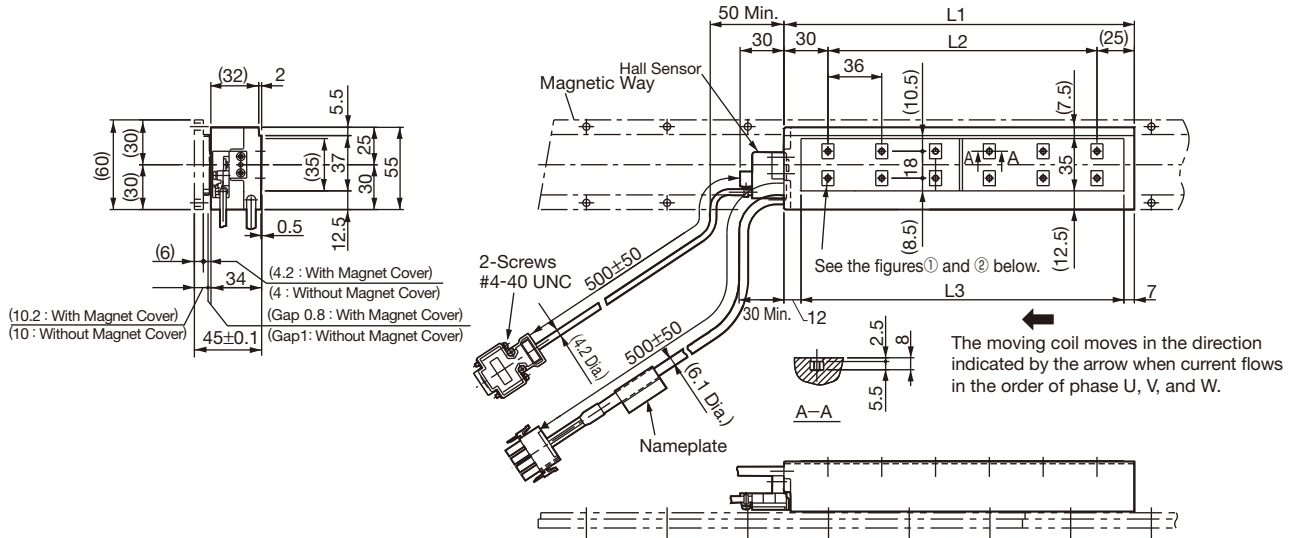
Notes: 1 Multiple SGLFM-20□□□A magnetic ways can be connected. Connect magnetic ways so that the reference marks match one on the other in the same direction as shown in the figure.
2 If you have a pacemaker or any other electronic medical device, do not go near the magnetic way of the linear servomotor.

Magnetic Way Model SGLFM-	L1 ^{-0.1} _{-0.3}	L2	(L3)	N	Approx. Mass kg
20324A	324	270 (54×5)	(331.6)	6	0.9
20540A	540	486 (54×9)	(547.6)	10	1.4
20756A	756	702 (54×13)	(763.6)	14	2

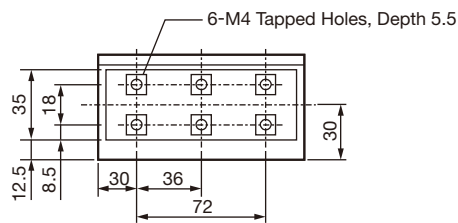
External Dimensions Units: mm

(2) SGLFW-35

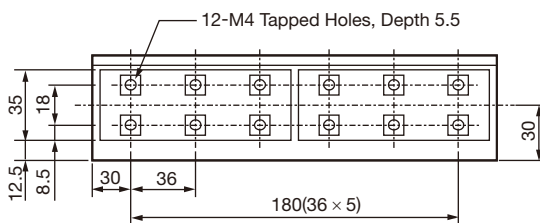
- Moving Coil: SGLFW-35□□□□□□□□ (With a connector by Tyco Electronics Japan G.K.)



① SGLFW-35□120A□



② SGLFW-35□230A□



Moving Coil Model SGLFW-	L1	L2	L3	Approx. Mass kg
35□120A□	127	72	108	1.3
35□230A□	235	180	216	2.3

Hall Sensor

Connector Specifications



Pin Connector
17JE-23090-02 (D8C)
by DDK Ltd.

The Mating Connector

Socket Connector:
17JE-13090-02(D8C)
Stud:17L-002C or
17L-002C1

Pin No.	Signal
1	+5V (Power supply)
2	Phase U
3	Phase V
4	Phase W
5	0V (Power supply)
6	Not used
7	Not used
8	Not used
9	Not used

Linear Servomotor

Connector Specifications



Plug: 350779-1
Pin : 350218-3 or
350547-3 (No.1 to 3)
350654-1
350669-1 (No.4)
by Tyco Electronics Japan G.K.

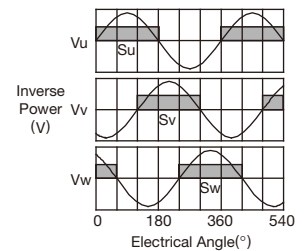
The Mating Connector

Cap : 350780-1
Socket: 350536-3 or
350550-3

Pin No.	Signal	Wire Color
1	Phase U	Red
2	Phase V	White
3	Phase W	Black
4	FG	Green

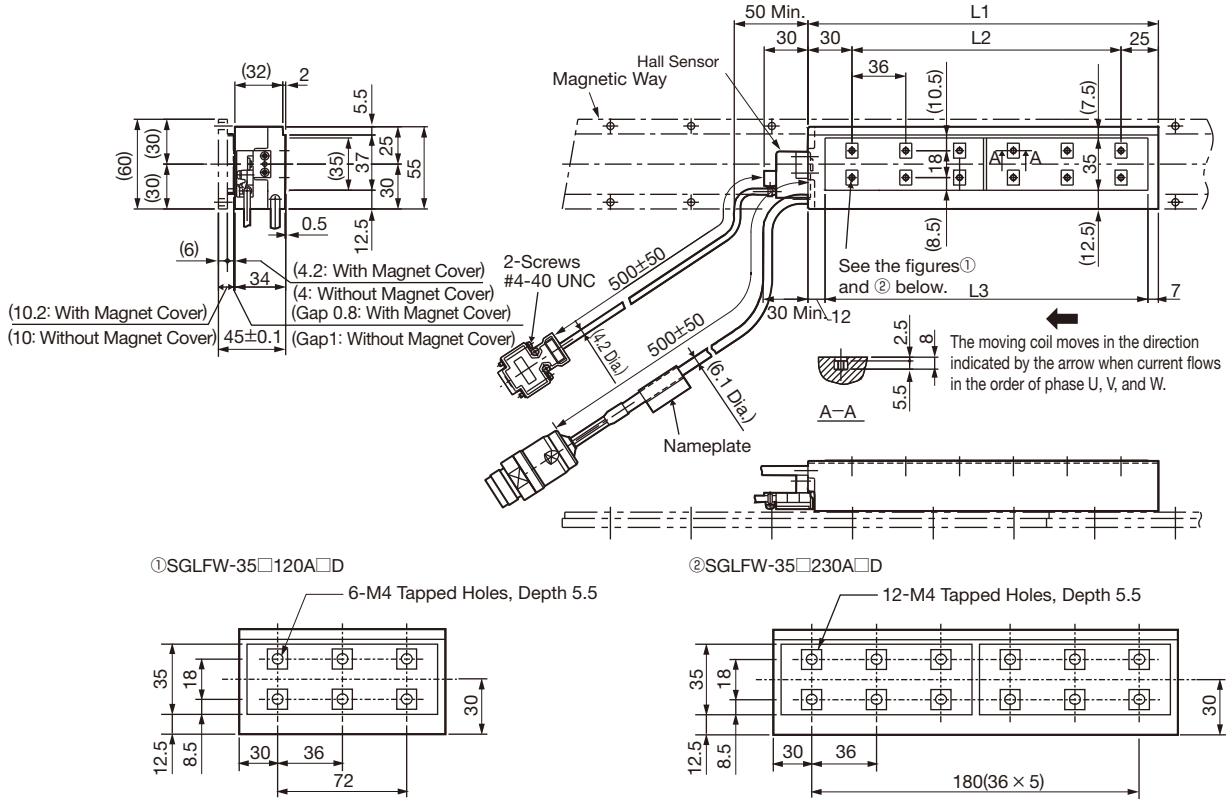
Hall Sensor Output Signals

When the moving coil moves in the direction indicated by the arrow in the figure, the relationship between the hall sensor output signals S_u , S_v , S_w and the inverse power of each motor phase V_u , V_v , V_w becomes as shown in the figure below.



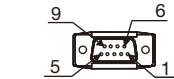
External Dimensions Units: mm

- Moving Coil: SGLFW-35□□□□A□D (With a connector by Interconnectron GmbH)



Moving Coil Model SGLFW-	L1	L2	L3	N	Approx. Mass kg
35□120AD□	127	72	108	6	1.3
35□230AD□	235	180	216	12	2.3

Hall Sensor Connector Specifications



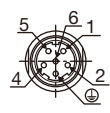
Pin Connector :
17JE-23090-02 (D8C)
by DDK Ltd.

The Mating Connector

Socket Connector:
17JE-13090-02 (D8C)
Stud: 17L-002C or
17L-002C1

Pin No.	Signal
1	+5V (Power supply)
2	Phase U
3	Phase V
4	Phase W
5	0V (Power supply)
6	Not used
7	Not used
8	Not used
9	Not used

Linear Servomotor Connector Specifications



Extension: ARRA06AMRPN182
Pin : 021.279.1020
by Interconnectron GmbH

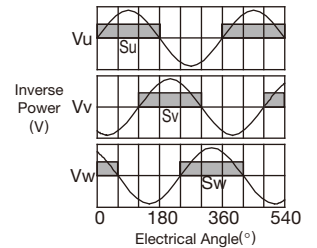
The Mating Connector

Plug : APRA06BFRDN170
Socket: 020.105.1020

Pin No.	Name
1	Phase U
2	Phase V
4	Phase W
5	Not used
6	Not used
⊕	Ground

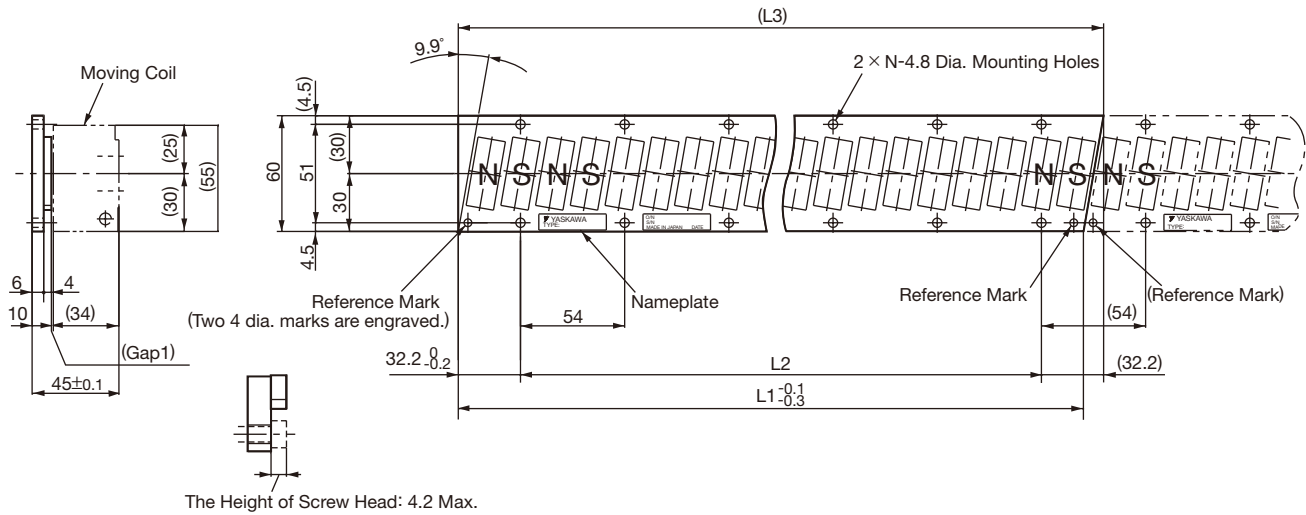
Hall Sensor Output Signals

When the moving coil moves in the direction indicated by the arrow in the figure, the relationship between the hall sensor output signals Su, Sv, Sw and the inverse power of each motor phase Vu, Vv, Vw becomes as shown in the figure below.



External Dimensions Units: mm

● Magnetic Way: SGLFM-35□□□A



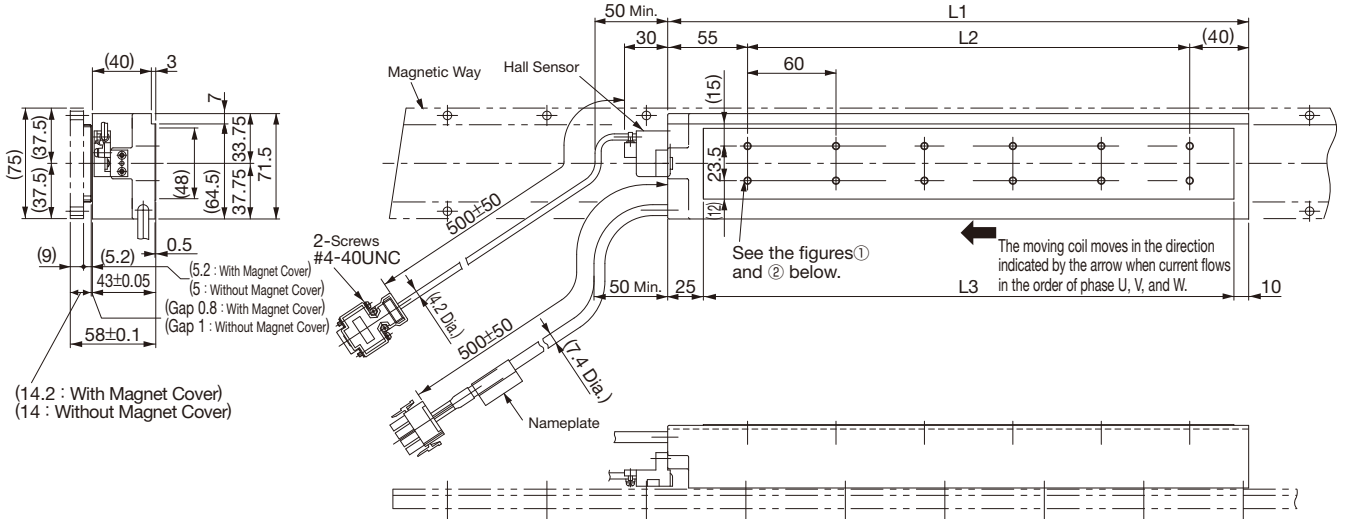
- Notes: 1 Multiple SGLFM-35□□□A magnetic ways can be connected. Connect magnetic ways so that the reference marks match one on the other in the same direction as shown in the figure.
 2 If you have a pacemaker or any other electronic medical device, do not go near the magnetic way of the linear servomotor.

Magnetic Way Model SGLFM-	L1 ^{-0.1} / _{0.3}	L2	(L3)	N	Approx. Mass kg
35324A	324	270 (54×5)	(334.4)	6	1.2
35540A	540	486 (54×9)	(550.4)	10	2
35756A	756	702 (54×13)	(766.4)	14	2.9

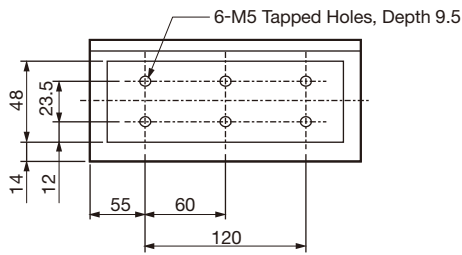
External Dimensions Units: mm

(3) SGLFW-50

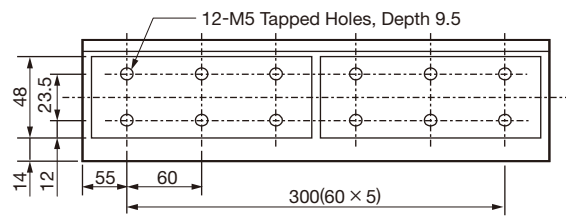
- Moving Coil: SGLFW-50□□□□B□ (With a connector by Tyco Electronics Japan G.K.)



① SGLFW-50□200B□

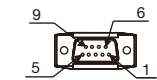


② SGLFW-50□380B□



Moving Coil Model SGLFW-	L1	L2	L3	Approx. Mass kg
50□200B□	215	120	180	3.5
50□380B□	395	300	360	6.9

**Hall Sensor
Connector Specifications**



Pin Connector :
17JE-23090-02 (D8C)
by DDK Ltd.

The Mating Connector

Socket Connector:
17JE-13090-02 (D8C)
Stud: 17L-002C or
17L-002C1

Pin No.	Signal
1	+5V (Power supply)
2	Phase U
3	Phase V
4	Phase W
5	0V (Power supply)
6	Not used
7	Not used
8	Not used
9	Not used

**Linear Servomotor
Connector Specifications**



Plug: 350779-1
Pin : 350218-3 or
350547-3 (No.1 to 3)
350654-1
350669-1 (No.4)
by Tyco Electronics Japan G.K.

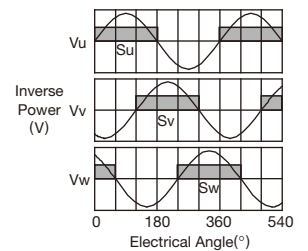
The Mating Connector

Cap : 350780-1
Socket: 350537-3 or
350550-3

Pin No.	Signal	Wire Color
1	Phase U	Red
2	Phase V	White
3	Phase W	Black
4	FG	Green

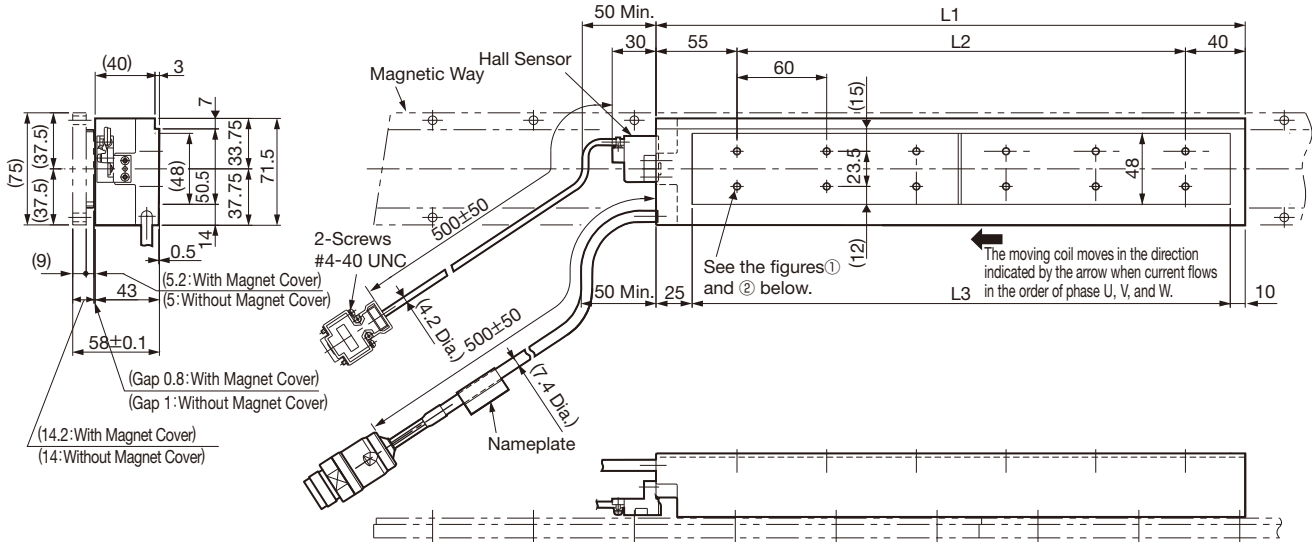
Hall Sensor Output Signals

When the moving coil moves in the direction indicated by the arrow in the figure, the relationship between the hall sensor output signals S_u , S_v , S_w and the inverse power of each motor phase V_u , V_v , V_w becomes as shown in the figure below.

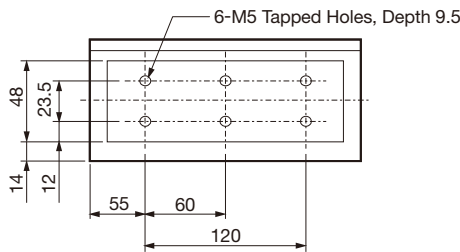


External Dimensions Units: mm

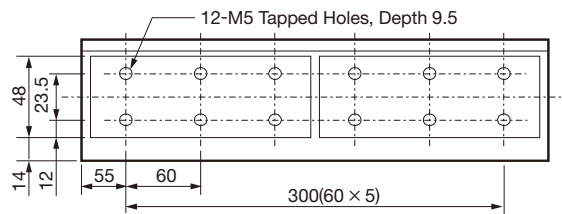
● Moving Coil: SGLFW-50□□□□□B□D (With a connector by Interconnectron GmbH)



① SGLFW-50□200B□D

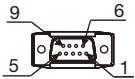


② SGLFW-50□380B□D



Moving Coil Model SGLFW-	L1	L2	L3	N	Approx. Mass kg
50□200B□D	215	120	180	6	3.5
50□380B□D	395	300	360	12	6.9

Hall Sensor Connector Specifications



Pin Connector :
17JE-23090-02 (D8C)
by DDK Ltd.

The Mating Connector

Socket Connector:
17JE-13090-02 (D8C)
Stud: 17L-002C or
17L-002C1

Pin No.	Signal
1	+5V (Power supply)
2	Phase U
3	Phase V
4	Phase W
5	0V (Power supply)
6	Not used
7	Not used
8	Not used
9	Not used

Linear Servomotor Connector Specifications



Extension: ARRA06AMRPN182
Pin : 021.279.1020
by Interconnectron GmbH

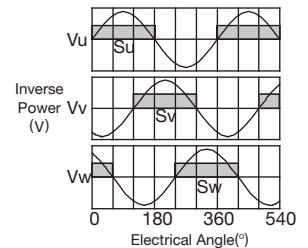
The Mating Connector

Plug : APRA06BFRDN170
Socket: 020.105.1020

Pin No.	Name
1	Phase U
2	Phase V
4	Phase W
5	Not used
6	Not used
⊕	Ground

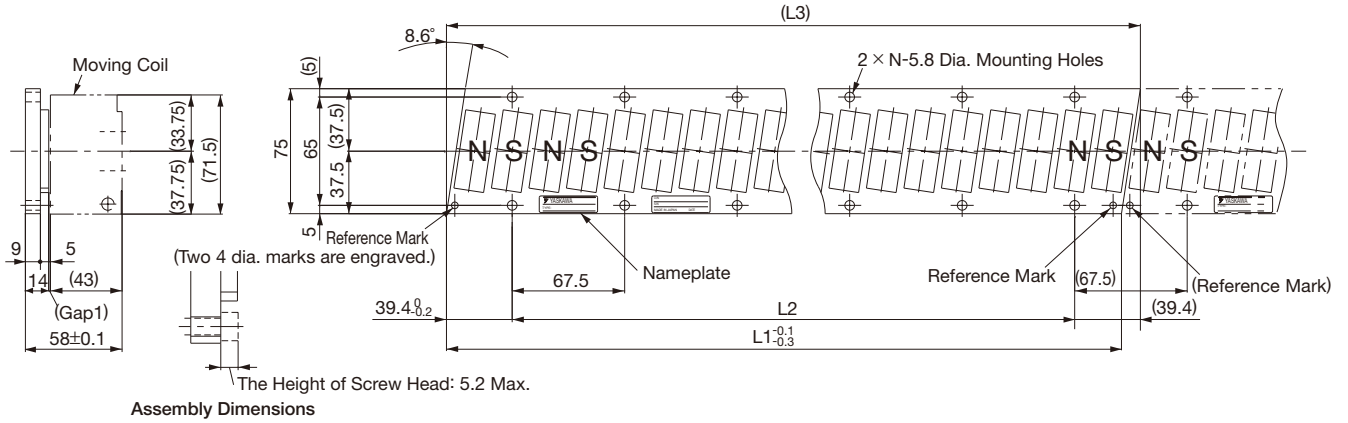
Hall Sensor Output Signals

When the moving coil moves in the direction indicated by the arrow in the figure, the relationship between the hall sensor output signals S_u , S_v , S_w and the inverse power of each motor phase V_u , V_v , V_w becomes as shown in the figure below.



External Dimensions Units: mm

● Magnetic Way: SGLFM-50□□□A



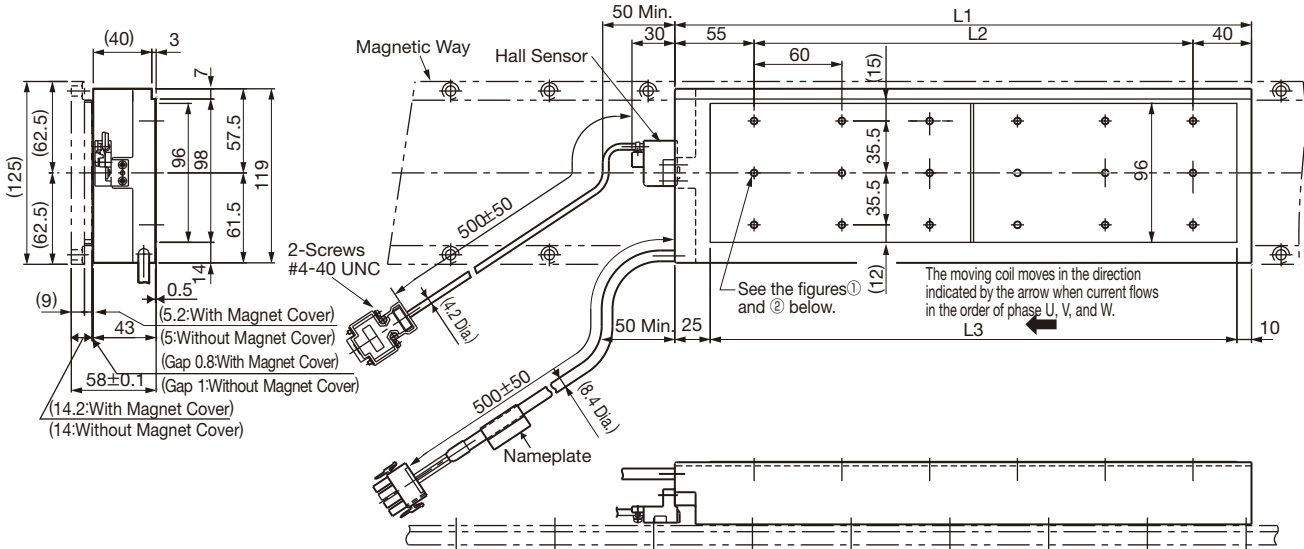
Notes: 1 Multiple SGLFM-50□□□A magnetic ways can be connected. Connect magnetic ways so that the reference marks match one on the other in the same direction as shown in the figure.
2 If you have a pacemaker or any other electronic medical device, do not go near the magnetic way of the linear servomotor.

Magnetic Way Model SGLFM-	L1 ^{0.1} _{0.3}	L2	(L3)	N	Approx. Mass kg
50405A	405	337.5 (67.5×5)	(416.3)	6	2.8
50675A	675	607.5 (67.5×9)	(686.3)	10	4.6
50945A	945	877.5 (67.5×13)	(956.3)	14	6.5

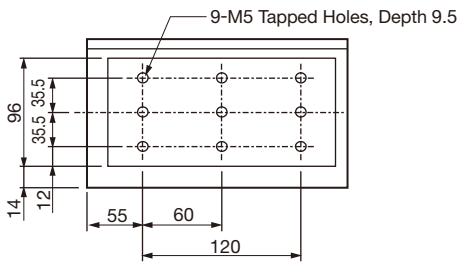
External Dimensions Units: mm

(4) SGLFW-1Z

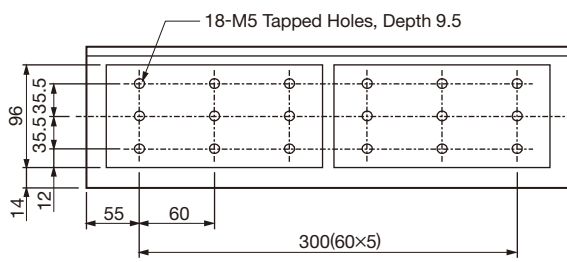
- Moving Coil: SGLFW-1Z□□□□B□ (With a connector by Tyco Electronics Japan G.K.)



① SGLFW-1Z□200B□



② SGLFW-1Z□380B□



Moving Coil Model SGLFW-	L1	L2	L3	N	Approx. Mass kg
1Z□200B□	215	120	180	9	6.4
1Z□380B□	395	300	360	18	11.5

Hall Sensor Connector Specifications



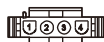
Pin Connector :
17JE-23090-02 (D8C)
by DDK Ltd.

The Mating Connector

Socket Connector:
17JE-13090-02 (D8C)
Stud: 17L-002C or
17L-002C1

Pin No.	Signal
1	+5V (Power supply)
2	Phase U
3	Phase V
4	Phase W
5	0V (Power supply)
6	Not used
7	Not used
8	Not used
9	Not used

Linear Servomotor Connector Specifications



Plug: 350779-1
Pin : 350218-3 or
350547-3(No.1 to 3)
350654-1
350669-1(No.4)
by Tyco Electronics Japan G.K.

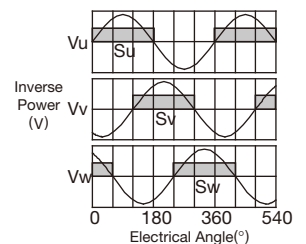
The Mating Connector

Cap : 350780-1
Socket: 350537-3 or
350550-3

Pin No.	Signal	Wire Color
1	Phase U	Red
2	Phase V	White
3	Phase W	Black
4	FG	Green

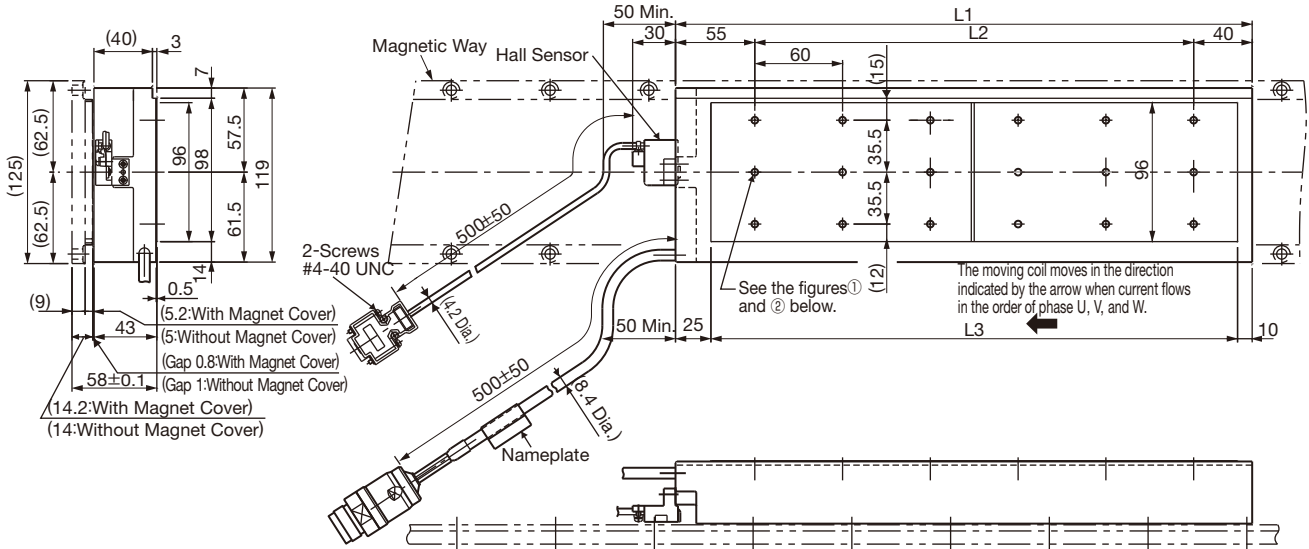
Hall Sensor Output Signals

When the moving coil moves in the direction indicated by the arrow in the figure, the relationship between the hall sensor output signals S_u , S_v , S_w and the inverse power of each motor phase V_u , V_v , V_w becomes as shown in the figure below.

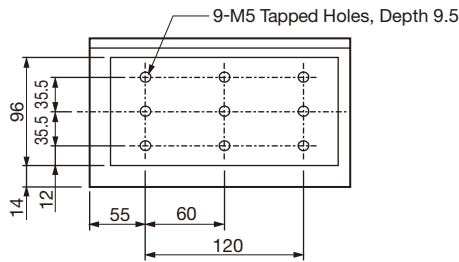


External Dimensions Units: mm

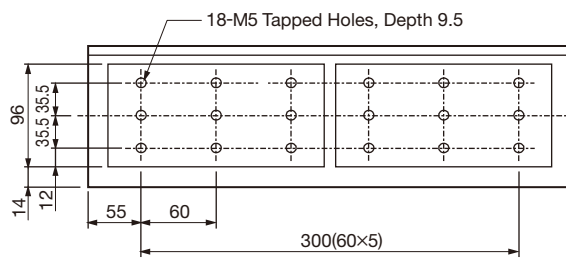
● Moving Coil: SGLFW-1Z□□□□B□D (With a connector by Interconnectron GmbH)



① SGLFW-1Z□200B□D

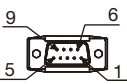


② SGLFW-1ZD380B□D



Moving Coil Model SGLFW-	L1	L2	L3	N	Approx. Mass kg
1Z□200B□D	215	120	180	9	6.4
1ZD380B□D	395	300	360	18	11.5

Hall Sensor
Connector Specifications



Pin Connector :
17JE-23090-02 (D8C)
by DDK Ltd.

The Mating Connector

Socket Connector:
17JE-13090-02 (D8C)
Stud: 17L-002C or
17L-002C1

Pin No.	Signal
1	+5V (Power supply)
2	Phase U
3	Phase V
4	Phase W
5	0V (Power supply)
6	Not used
7	Not used
8	Not used
9	Not used

Linear Servomotor
Connector Specifications



Extension: ARRA06AMRPN182
Pin : 021.279.1020
by Interconnectron GmbH

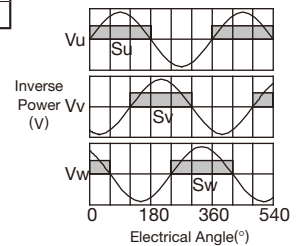
The Mating Connector

Plug : APPA06BFRDN170
Socket: 020.105.1020

Pin No.	Name
1	Phase U
2	Phase V
4	Phase W
5	Not used
6	Not used
⊕	Ground

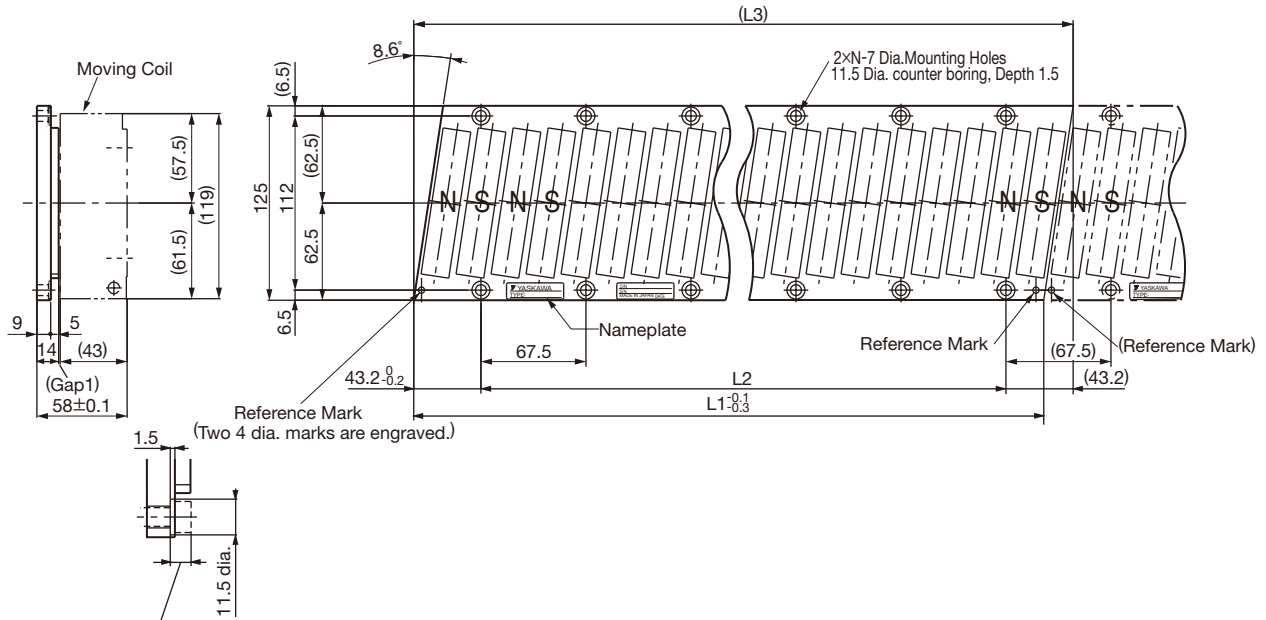
Hall Sensor Output Signals

When the moving coil moves in the direction indicated by the arrow in the figure, the relationship between the hall sensor output signals Su, Sv, Sw and the inverse power of each motor phase Vu, Vv, Vw becomes as shown in the figure below.



External Dimensions Units: mm

● Magnetic Way: SGLFM-1Z□□□A



The Height of Screw Head: 6.7 Max.

Assembly Dimensions

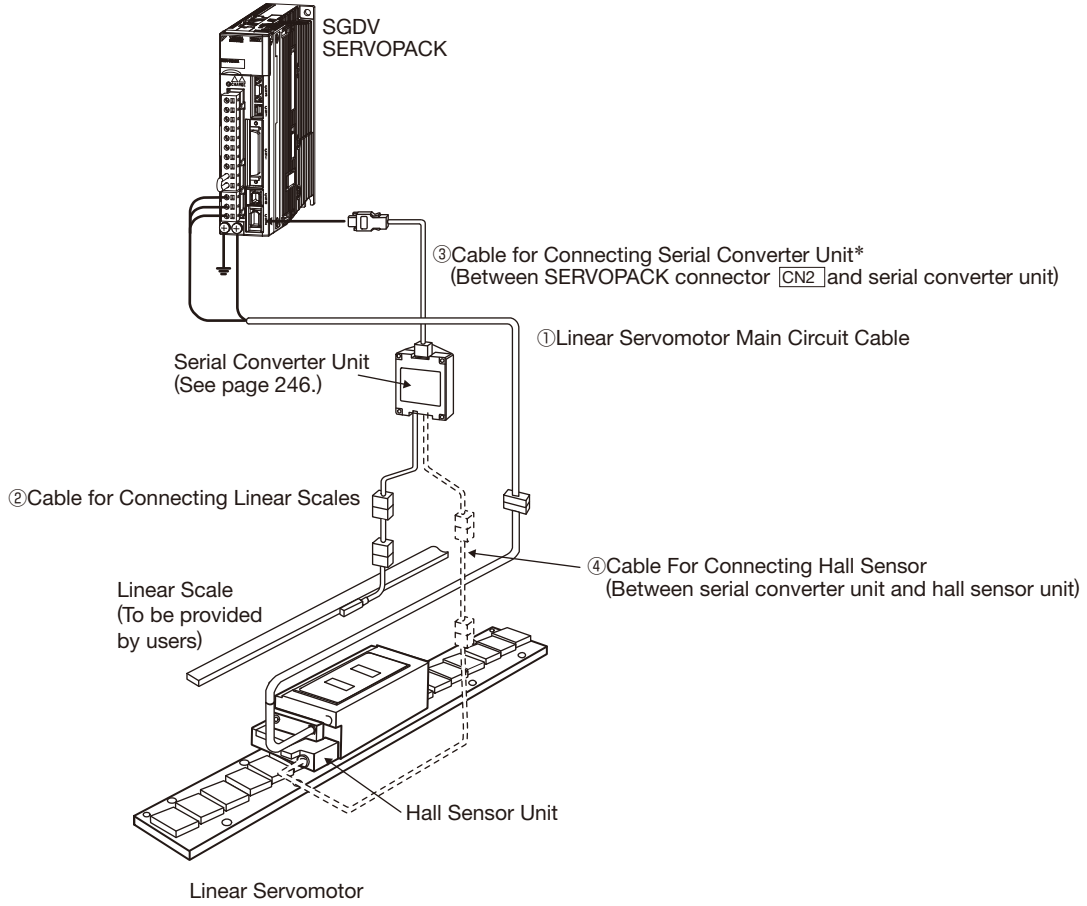
Notes: 1 Multiple SGLFM-1Z□□□A magnetic ways can be connected. Connect magnetic ways so that the reference marks match one on the other in the same direction as shown in the figure.

2 If you have a pacemaker or any other electronic medical device, do not go near the magnetic way of the linear servomotor.

Magnetic Way Model SGLFM-	$L1_{-0.3}^{0.1}$	L2	L3	N	Approx. Mass kg
1Z405A	405	337.5 (67.5 × 5)	(423.9)	6	5
1Z675A	675	607.5 (67.5 × 9)	(693.9)	10	8.3
1Z945A	945	877.5 (67.5 × 13)	(963.9)	14	12

Selecting Cables

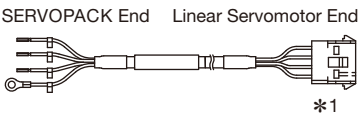
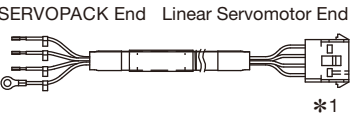
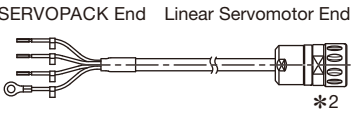
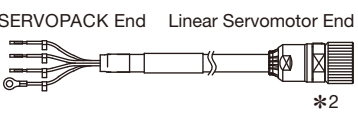
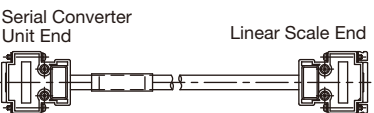
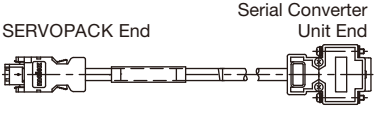
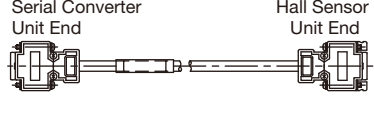
● Cables Connections



*: A serial converter unit can be connected directly to an absolute linear scale.

Selecting Cables

●Cables

Name	Applicable Linear Servomotor Model	Length	Order No.	Specifications	Details	
① Linear Servomotor Main Circuit Cables	SGLFW-20, -35	1 m	JZSP-CLN11-01-E		(1)	
		3 m	JZSP-CLN11-03-E			
		5 m	JZSP-CLN11-05-E			
		10 m	JZSP-CLN11-10-E			
		15 m	JZSP-CLN11-15-E			
		20 m	JZSP-CLN11-20-E			
	SGLFW-50, -1Z		1 m	JZSP-CLN21-01-E		(2)
			3 m	JZSP-CLN21-03-E		
			5 m	JZSP-CLN21-05-E		
			10 m	JZSP-CLN21-10-E		
			15 m	JZSP-CLN21-15-E		
			20 m	JZSP-CLN21-20-E		
	SGLFW- □□A□□□□□D		1 m	JZSP-CLN14-01-E		(3)
			3 m	JZSP-CLN14-03-E		
			5 m	JZSP-CLN14-05-E		
			10 m	JZSP-CLN14-10-E		
			15 m	JZSP-CLN14-15-E		
			20 m	JZSP-CLN14-20-E		
	SGLFW- □□D□□□□□D		1 m	JZSP-CLN15-01-E		(4)
			3 m	JZSP-CLN15-03-E		
			5 m	JZSP-CLN15-05-E		
10 m			JZSP-CLN15-10-E			
15 m			JZSP-CLN15-15-E			
20 m			JZSP-CLN15-20-E			
② Cables for Connecting Linear Scales*3	For Linear Scale by Renishaw plc.	1 m	JZSP-CLL00-01-E		(5)	
		3 m	JZSP-CLL00-03-E			
		5 m	JZSP-CLL00-05-E			
		10 m	JZSP-CLL00-10-E			
		15 m	JZSP-CLL00-15-E			
	For Linear Scale by HEIDENHAIN Corporation	1 m	JZSP-CLL30-01-E			
		3 m	JZSP-CLL30-03-E			
		5 m	JZSP-CLL30-05-E			
		10 m	JZSP-CLL30-10-E			
		15 m	JZSP-CLL30-15-E			
③ Cables for Connecting Serial Converter Units	All models	1 m	JZSP-CLP70-01-E		(6)	
		3 m	JZSP-CLP70-03-E			
		5 m	JZSP-CLP70-05-E			
		10 m	JZSP-CLP70-10-E			
		15 m	JZSP-CLP70-15-E			
		20 m	JZSP-CLP70-20-E			
④ Cables for Connecting Hall Sensors	All models	1 m	JZSP-CLL10-01-E		(7)	
		3 m	JZSP-CLL10-03-E			
		5 m	JZSP-CLL10-05-E			
		10 m	JZSP-CLL10-10-E			
		15 m	JZSP-CLL10-15-E			

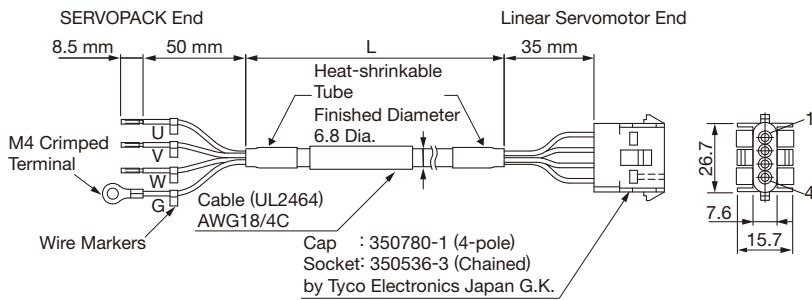
*1: Connector by Tyco Electronics Japan G.K.

*2: Connector by Interconnectron GmbH

*3: When using serial converter unit JZDP-G00□-□□□-E, the maximum cable length should be 3 m.

Selecting Cables

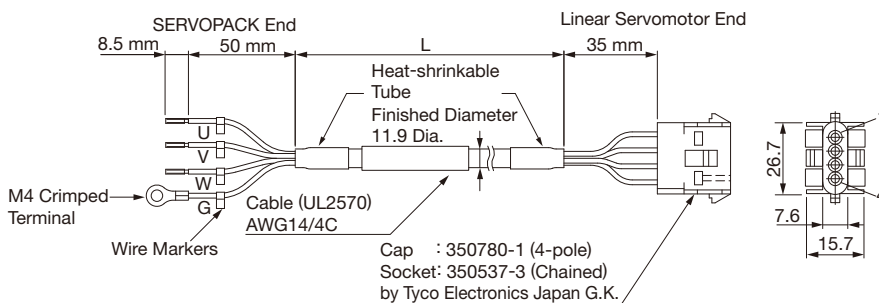
(1) Linear Servomotor Main Circuit Cables: JZSP-CLN11-□□-E



· Wiring Specifications

SERVOPACK-end Leads		Linear Servomotor-end Connector	
Wire Color	Signal	Signal	Pin No.
Red	Phase U	Phase U	1
White	Phase V	Phase V	2
Blue	Phase W	Phase W	3
Green/yellow	FG	FG	4

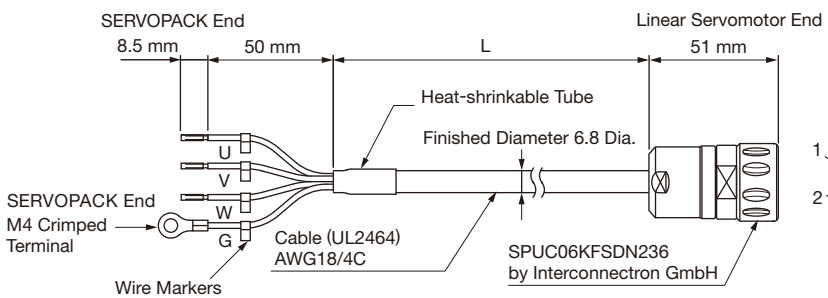
(2) Linear Servomotor Main Circuit Cables: JZSP-CLN21-□□-E



· Wiring Specifications

SERVOPACK-end Leads		Linear Servomotor-end Connector	
Wire Color	Signal	Signal	Pin No.
Red	Phase U	Phase U	1
White	Phase V	Phase V	2
Blue	Phase W	Phase W	3
Green/yellow	FG	FG	4

(3) Linear Servomotor Main Circuit Cables: JZSP-CLN14-□□-E



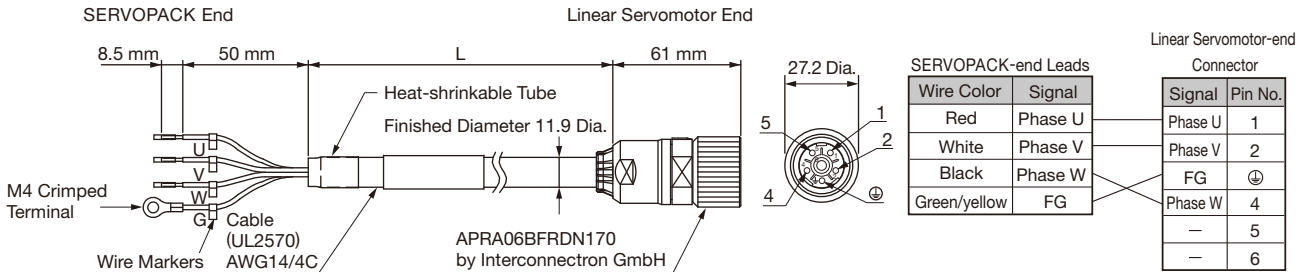
· Wiring Specifications

SERVOPACK-end Leads		Linear Servomotor-end Connector	
Wire Color	Signal	Signal	Pin No.
Black (White 1)	Phase U	Phase U	1
Black (White 2)	Phase V	Phase V	2
Black (White 3)	Phase W	Phase W	3
Green/yellow	FG	—	4
		—	5
		FG	6

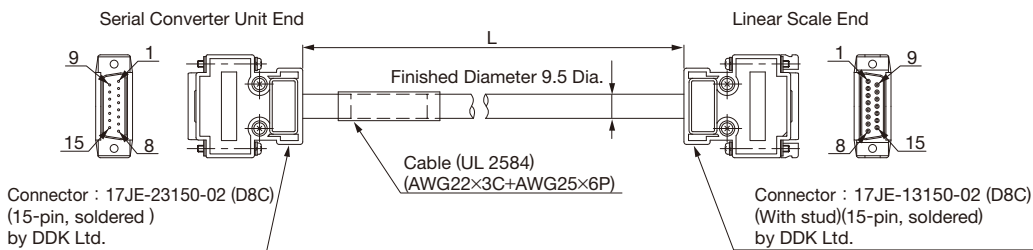
Selecting Cables

(4) Linear Servomotor Main Circuit Cables: JZSP-CLN15-□□-E

· Wiring Specifications



(5) Cables for Connecting Linear Scales: JZSP-CLL□□-□□-E



· JZSP-CLL00-□□-E (for linear scale by Renishaw)

Wiring Specifications

Serial Converter Unit End		Linear Scale End	
Pin No.	Signal	Pin No.	Signal
1	/Cos(V1-)	1	/Cos(V1-)
2	/Sin(V2-)	2	/Sin(V2-)
3	Ref(V0+)	3	Ref(V0+)
4	+5V	4	+5V
5	5Vs	5	5Vs
6	BID	6	BID
7	Vx	7	Vx
8	Vq	8	Vq
9	Cos(V1+)	9	Cos(V1+)
10	Sin(V2+)	10	Sin(V2+)
11	/Ref(V0+)	11	/Ref(V0-)
12	0V	12	0V
13	0Vs	13	0Vs
14	DIR	14	DIR
15	Inner	15	Inner
Case	Shield	Case	Shield

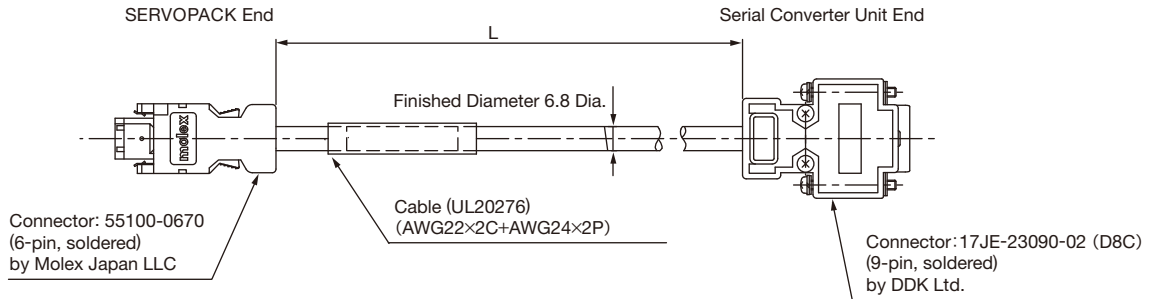
· JZSP-CLL30-□□-E (for linear scale by HEIDENHAIN)

Wiring Specifications

Serial Converter Unit End		Linear Scale End	
Pin No.	Signal	Pin No.	Signal
1	Cos(A+)	1	Cos(A+)
2	0V	2	0V
3	Sin(B+)	3	Sin(B+)
4	+5V	4	+5V
5	-	5	-
6	-	6	-
7	/Ref(R-)	7	/Ref(R-)
8	-	8	-
9	/Cos(A-)	9	/Cos(A-)
10	0Vs	10	0Vs
11	/Sin(B-)	11	/Sin(B-)
12	5Vs	12	5Vs
13	-	13	-
14	Ref(R+)	14	Ref(R+)
15	-	15	-
Case	Shield	Case	Shield

Selecting Cables

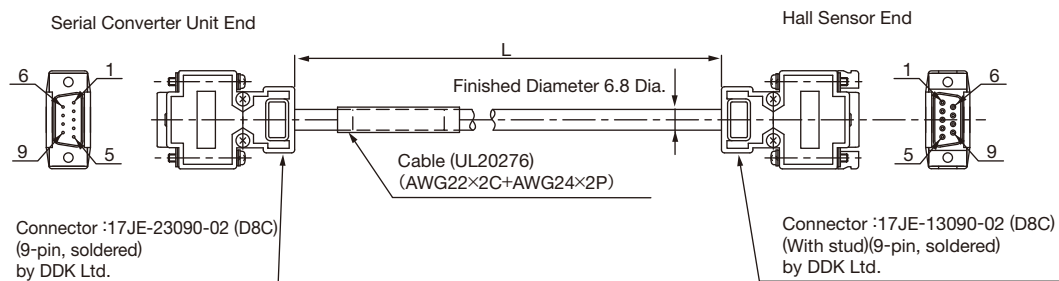
(6) Cables for Connecting Serial Converter Units: JZSP-CLP70-□□-E



· Wiring Specifications

SERVOPACK End			Serial Converter Unit End		
Pin No.	Signal	Wire Color	Pin No.	Signal	Wire Color
1	PG5V	Orange	1	+5V	Red
2	PG0V	Green	5	0V	Black
3	-	-	3	-	-
4	-	-	4	-	-
5	PS	Red/light blue	2	Phase S output	Light blue
6	/PS	Black/light blue	6	Phase /S output	Light blue/white
Shell	Shield	-	Case	Shield	-
			7	-	-
			8	-	-
			9	-	-

(7) Cables for Connecting Hall Sensors: JZSP-CLL10-□□-E



· Wiring Specifications

Serial Converter Unit End		Hall Sensor End	
Pin No.	Signal	Pin No.	Signal
1	+5V	1	+5V
2	Phase U input	2	Phase U input
3	Phase V input	3	Phase V input
4	Phase W input	4	Phase W input
5	0V	5	0V
6	-	6	-
7	-	7	-
8	-	8	-
9	-	9	-
Case	Shield	Case	Shield

Linear Servomotors

SGLTW

(With T-type iron core)



Model Designations

• Moving Coil

S G L T W - 20 A 170 A P □

Linear Σ Series Linear Servomotor

1st digit 2nd digit 3rd+4th digits 5th digit 6th+7th+8th digits 9th digit 10th digit 11th digit

1st digit Servomotor Type

Code	Specifications
T	T-type iron core

2nd digit Moving Coil/Magnetic Way

Code	Specifications
W	Moving Coil

3rd+4th digits Magnet Height

5th digit Voltage

Code	Specifications
A	200 VAC
D	400 VAC

6th+7th+8th digits Length of Moving Coil

9th digit Design Revision Order
A, B...
H: High-efficiency Type

10th digit Hall Sensor

Code	Specifications
P	With hall sensor
Blank	Without hall sensor

11th digit Connector for Main Circuit Cable

Code	Specification	Applicable Model
Blank	Connector by Tyco Electronics Japan G.K.	SGLTW-20A□□□□□□ -35A□□□□□□ -50A□□□□□□
	MS connector	SGLTW-40□□□□□B□ -80□□□□□B□
	Connector by Interconnectron GmbH	SGLTW-35D□□□□H□ -50D□□□□H□

• Magnetic Way

S G L T M - 20 324 A □

Linear Σ Series Linear Servomotor

1st digit 2nd digit 3rd+4th digits 5th+6th+7th digits 8th digit 9th digit

1st digit Servomotor Type
(Same as that of the moving coil)

2nd digit Moving Coil/Magnetic Way

Code	Specifications
M	Magnetic Way

3rd+4th digits Magnet Height

5th+6th+7th digits Length of Magnetic Way

8th digit Design Revision Order
A, B...
H: High-efficiency Type

9th digit Options

Code	Specifications	Applicable Model
Blank	Standard	All models
C	With magnet cover	Models with core
Y	With base and magnet cover	SGLTM-20, -35*, -40, -80

*: Except for SGLTM-35□□□□H (high-efficiency type).

Features

- Direct-feed mechanism for high-speed and high-precision positioning.
- Yaskawa's unique construction principles of the TW linear motors negate the effects of the magnetic attraction force between the relative motor members.
- Lack of magnetic attraction helps to extend the life of the linear motion guides and to minimize operation noise.
- Very little cogging.

Application Examples

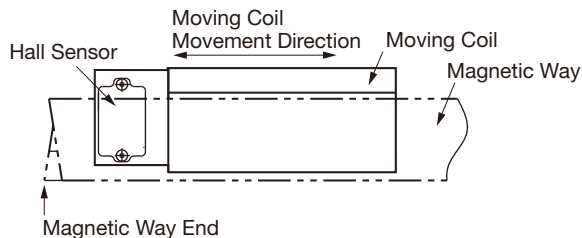
- Feeders and loaders
- Mounters
- Machine tools

● Precautions on Moving Coil with Hall Sensor

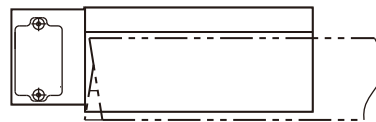
When using a moving coil with a hall sensor, the magnetic way must completely cover the bottom of the hall sensor. Refer to the example showing the correct installation.

When determining the length of the moving coil's stroke or the length of the magnetic way, consider the total length of the moving coil and the hall sensor unit. Refer to the following table.

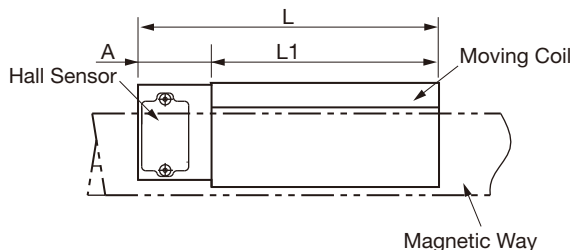
< Correct >



< Incorrect >



The total length of moving coil with hall sensor



Moving Coil Model SGLTW-	Length of Moving Coil L1 (mm)	Length of Hall Sensor Unit		
		A (mm)	Total Length L (mm)	
20A170AP□	170	34	204	
20A320AP□	315		349	
20A460AP□	460		494	
35A170AP□	170	34	204	
35A320AP□	315		349	
35A460AP□	460		494	
35□170HP□	170	34	204	
35□320HP□	315		349	
50□170HP□	170		204	
50□320HP□	315	34	349	
40A400AP□	395		26	421
40A600AP□	585		36	621
80A400AP□	395	26	421	
80A600AP□	585		621	
40□400BP□	394.2		26	420.2
40□600BP□	574.2	600.2		
80□400BP□	394.2	26		420.2
80□600BP□	574.2			600.2

Ratings and Specifications

Time Rating: Continuous
Insulation Resistance: 500 VDC, 10 MΩmin.
Ambient Temperature: 0 to 40°C
Excitation: Permanent magnet

Withstand Voltage: 1500 VAC for one minute
Enclosure: Self-cooled
Ambient Humidity: 20% to 80% (no condensation)
Allowable Winding Temperature: 130°C (Thermal class B)

200-V Class

Linear Servomotor Model SGLTW- <input type="text"/>		Standard Type										High-efficiency Type			
		20A			35A			40A		80A		35A		50A	
		170A	320A	460A	170A	320A	460A	400B	600B	400B	600B	170H	320H	170H	320H
Peak Speed	m/s	5	5	5	5	5	5	3.1	3.1	2.5	2.5	4.8	4.8	3.2	3.1
Rated Force*	N	130	250	380	220	440	670	670	1000	1300	2000	300	600	450	900
Rated Current*	Arms	2.3	4.4	6.7	3.5	7	10.7	7.3	10.9	11.1	17.1	5.1	10.1	4.9	9.8
Peak Force*	N	380	760	1140	660	1320	2000	2600	4000	5000	7500	600	1200	900	1800
Peak Current*	Arms	7.7	15.4	23.2	12.1	24.2	36.7	39.4	60.6	57.9	86.9	11.9	23.9	11.5	22.9
Moving Coil Mass	kg	2.5	4.6	6.7	3.7	6.8	10	15	23	24	35	4.9	8.8	6	11
Force Constant	N/Arms	61	61	61	67.5	67.5	67.5	99.1	99.1	126	126	64	64	98.5	98.5
BEMF Constant	V/(m/s)	20.3	20.3	20.3	22.5	22.5	22.5	33	33	42	42	21.3	21.3	32.8	32.8
Motor Constant	N/√w	18.7	26.5	32.3	26.7	37.5	46.4	61.4	75.2	94.7	116	37.4	52.9	50.3	71.1
Electrical Time Constant	ms	5.9	5.9	5.9	6.9	6.8	7	15.2	15.2	17	17	15.1	15.1	16.5	16.5
Mechanical Time Constant	ms	7.5	6.5	6.4	5.2	4.8	4.6	4	4	3	3	3.3	3.3	2.8	2.8
Thermal Resistance (With Heat Sink)	K/W	1.01	0.49	0.38	0.76	0.44	0.32	0.24	0.2	0.22	0.18	0.76	0.4	0.61	0.3
Thermal Resistance (Without Heat Sink)	K/W	1.82	1.11	0.74	1.26	0.95	0.61	0.57	0.4	0.47	0.33	1.26	0.83	0.97	0.8
Magnetic Attraction* ¹	N	0	0	0	0	0	0	0	0	0	0	0	0	0	0
Magnetic Attraction(on one side)* ²	N	800	1590	2380	1400	2780	4170	3950	5890	7650	11400	1400	2780	2000	3980
Applicable SERVOPACK	SGDV-	3R8A	7R6A	120A	5R5A	120A	180A	180A	330A	330A	550A	5R5A	120A	5R5A	120A

*1 : The unbalanced magnetic gap resulted from the moving coil installation condition causes a magnetic attraction on the moving coil.

*2 : The value indicates the magnetic attraction generated on one side of the magnetic way.

Notes: 1 The items marked with an * and *Force and Speed Characteristics* (on the next page) are the values at a motor winding temperature of 100°C during operation in combination with a SERVOPACK. The others are at 20°C.

2 The above specifications show the values under the cooling condition when a heat sink (aluminum board) listed in the following table is mounted on the moving coil.

Heat Sink Size	254 mm×254 mm×25 mm : SGLTW-20A170A,-35A170A 400 mm×500 mm×40 mm : SGLTW-20A320A,-20A460A,-35A170H,-35A320A,-35A320H,-35A460A,-50A170H 609 mm×762 mm×50 mm : SGLTW-40A400B,-40A600B,-50A320H,-80A400B,-80A600B
----------------	--

400-V Class

Linear Servomotor Model SGLTW- <input type="text"/>		Standard Type				High-efficiency Type			
		40D		80D		35D		50D	
		400B	600B	400B	600B	170H	320H	170H	320H
Peak Speed	m/s	3.1	3.1	3.1	3.1	5	5	4	4
Rated Force*	N	670	1000	1300	2000	300	600	450	900
Rated Current*	Arms	3.7	5.5	7.2	11.1	3.2	6.5	3.2	6.3
Peak Force*	N	2600	4000	5000	7500	600	1200	900	1800
Peak Current*	Arms	20.7	30.6	37.6	56.4	7.7	15.5	7.4	14.8
Moving Coil Mass	kg	15	23	24	35	4.7	8.8	6	11
Force Constant	N/Arms	196.1	196.1	194.4	194.4	99.6	99.6	153.3	153.3
BEMF Constant	V/(m/s)	65.4	65.4	64.8	64.8	33.2	33.2	51.1	51.1
Motor Constant	N/√w	59.6	73	85.9	105.2	36.3	51.4	48.9	69.1
Electrical Time Constant	ms	14.3	14.4	15.6	15.6	14.3	14.4	15.6	15.6
Mechanical Time Constant	ms	4.3	4.2	3.2	3.2	3.5	3.3	2.5	2.5
Thermal Resistance (With Heat Sink)	K/W	0.24	0.2	0.22	0.18	0.76	0.4	0.61	0.3
Thermal Resistance (Without Heat Sink)	K/W	0.57	0.4	0.47	0.33	1.26	0.83	0.97	0.8
Magnetic Attraction* ¹	N	0	0	0	0	0	0	0	0
Magnetic Attraction(on one side)* ²	N	3950	5890	7650	11400	1400	2780	2000	3980
Applicable SERVOPACK	SGDV-	120D	170D	170D	260D	3R5D	8R4D	3R5D	8R4D

*1 : The unbalanced magnetic gap resulted from the moving coil installation condition causes a magnetic attraction on the moving coil.

*2 : The value indicates the magnetic attraction generated on one side of the magnetic way.

Notes: 1 The items marked with an * and *Force and Speed Characteristics* (on page 222) are the values at a motor winding temperature of 100°C during operation in combination with a SERVOPACK. The others are at 20°C.

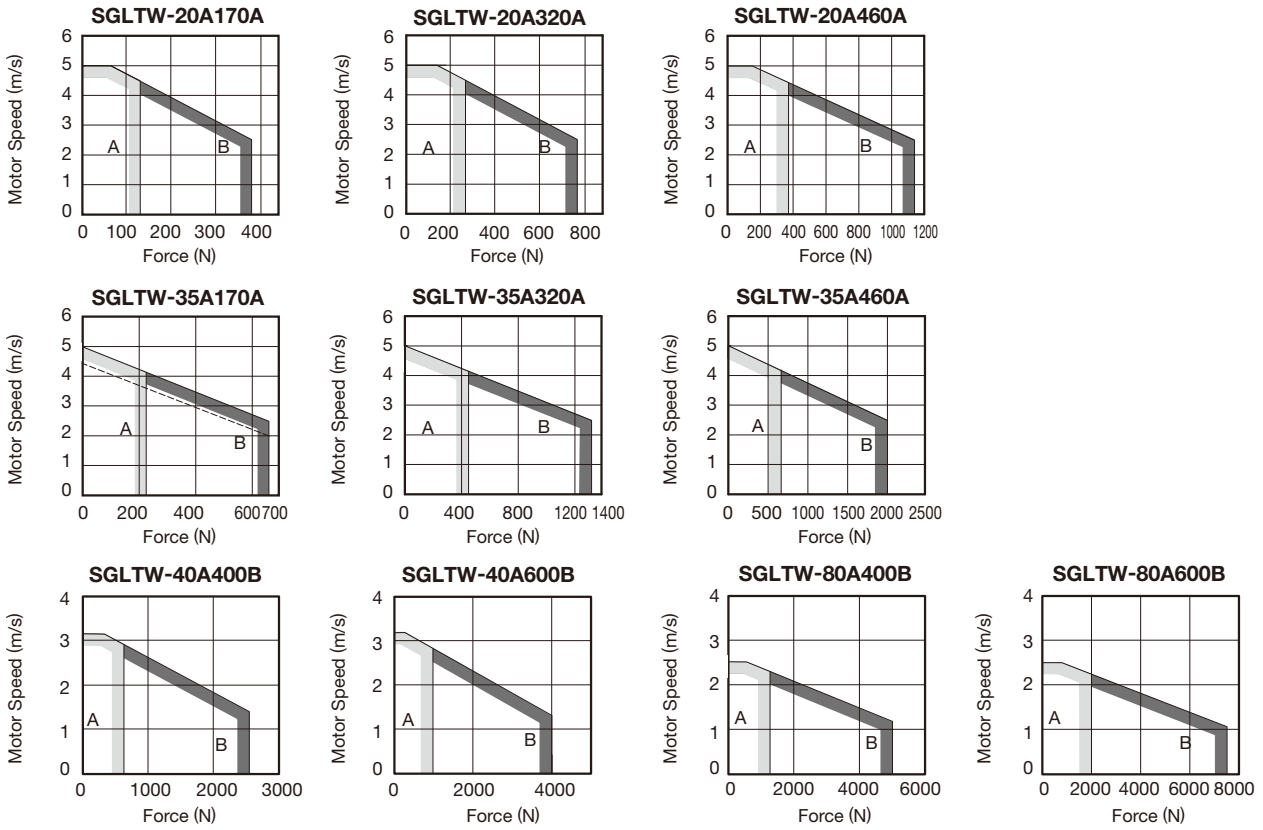
2 The above specifications show the values under the cooling condition when a heat sink (aluminum board) listed in the following table is mounted on the moving coil.

Heat Sink Size	400 mm×500 mm×40 mm : SGLTW-35D170H,-35D320H,-50D170H 609 mm×762 mm×50 mm : SGLTW-40D400B,-40D600B,-50D320H,-80D400B,-80D600B
----------------	--

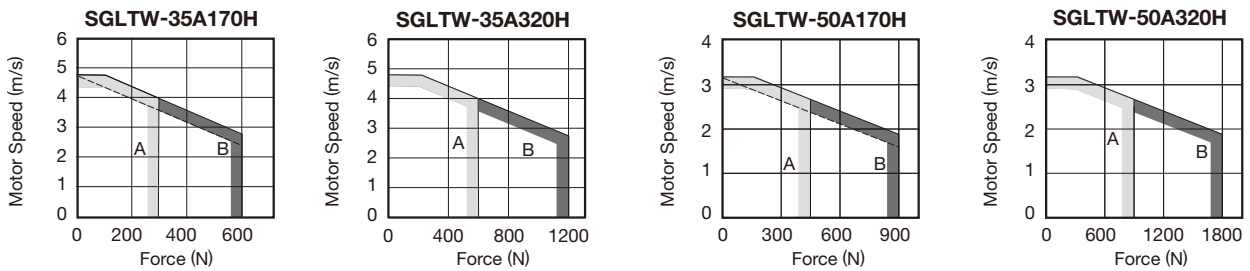
Ratings and Specifications

● **Force and Speed Characteristics** **A** : Continuous Duty Zone **B** : Intermittent Duty Zone

200-V Class Standard Type



200-V Class High-efficiency Type



Notes: 1 The characteristics of the intermittent duty zone differ depending on the supply voltage. The solid and dotted lines of the intermittent duty zone indicate the characteristics when a servomotor runs with the following combinations:

- The solid line: With a three-phase 200 V SERVOPACK
- The dotted line: With a single-phase 200 V SERVOPACK

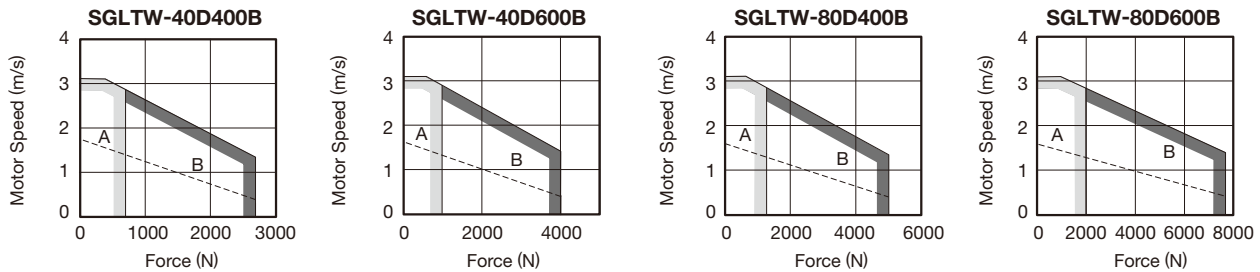
2 When the effective force is within the rated force, the servomotor can be used within the intermittent duty zone.

Ratings and Specifications

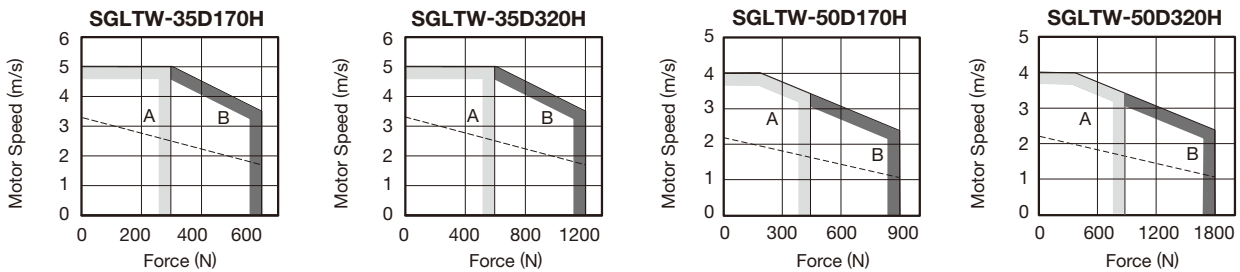
● Force and Speed Characteristics (cont'd)

Ⓐ : Continuous Duty Zone Ⓑ : Intermittent Duty Zone

400-V Class Standard Type



400-V Class High-efficiency Type



- Notes: 1 The characteristics of the intermittent duty zone differ depending on the supply voltage. The solid and dotted lines of the intermittent duty zone indicate the characteristics when a servomotor runs with the following combinations:
- The solid line: With a three-phase 400 V SERVOPACK
 - The dotted line: With a three-phase 200 V SERVOPACK
- 2 When using the servomotor with a three-phase 200-V input power supply, a different serial converter unit is required. For details, contact your Yaskawa representative.
- 3 When the effective force is within the rated force, the servomotor can be used within the intermittent duty zone.

● Mechanical Specifications

(1) Impact Resistance

- Impact acceleration: 196 m/s²
- Impact occurrences: twice

(2) Vibration Resistance

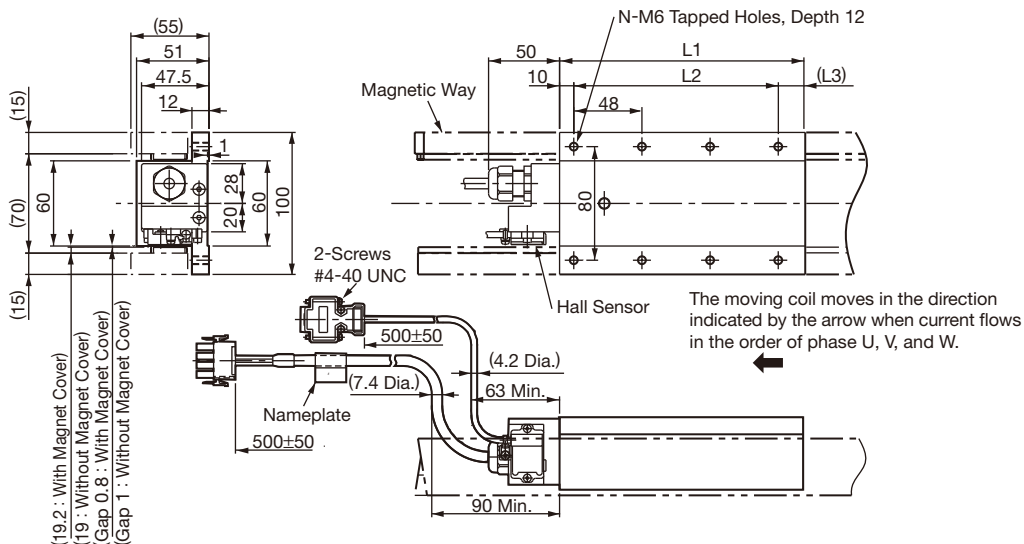
The linear servomotors will withstand the following vibration acceleration in three directions: Vertical, side to side, and front to back.

- Vibration acceleration: 49 m/s²

External Dimensions Units: mm

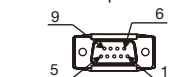
(1) Standard Type SGLTW-20

- Moving Coil: SGLTW-20A□□□A□ (With a connector by Tyco Electronics Japan G.K.)



Moving Coil Model SGLTW-	L1	L2	(L3)	N	Approx. Mass kg
20A170A□	170	144 (48×3)	(16)	8	2.5
20A320A□	315	288 (48×6)	(17)	14	4.6
20A460A□	460	432 (48×9)	(18)	20	6.7

Hall Sensor Connector Specifications



Pin Connector:
17JE-23090-02 (D8C)
by DDK Ltd.

The Mating Connector

Socket Connector:
17JE-13090-02 (D8C)
Stud: 17L-002C or
17L-002C1

Pin No.	Signal
1	+5VDC
2	Phase U
3	Phase V
4	Phase W
5	0V
6	Not used
7	Not used
8	Not used
9	Not used

Linear Servomotor Connector Specifications



Plug: 350779-1
Pin : 350218-3 or
350547-3 (No.1 to 3)
350654-1
350669-1 (No.4)
by Tyco Electronics Japan G.K.

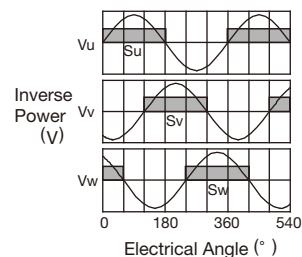
The Mating Connector

Cap : 350780-1
Socket: 350537-3 or
350550-3

Pin No.	Signal	Wire Color
1	Phase U	Red
2	Phase V	White
3	Phase W	Black
4	Ground	Green

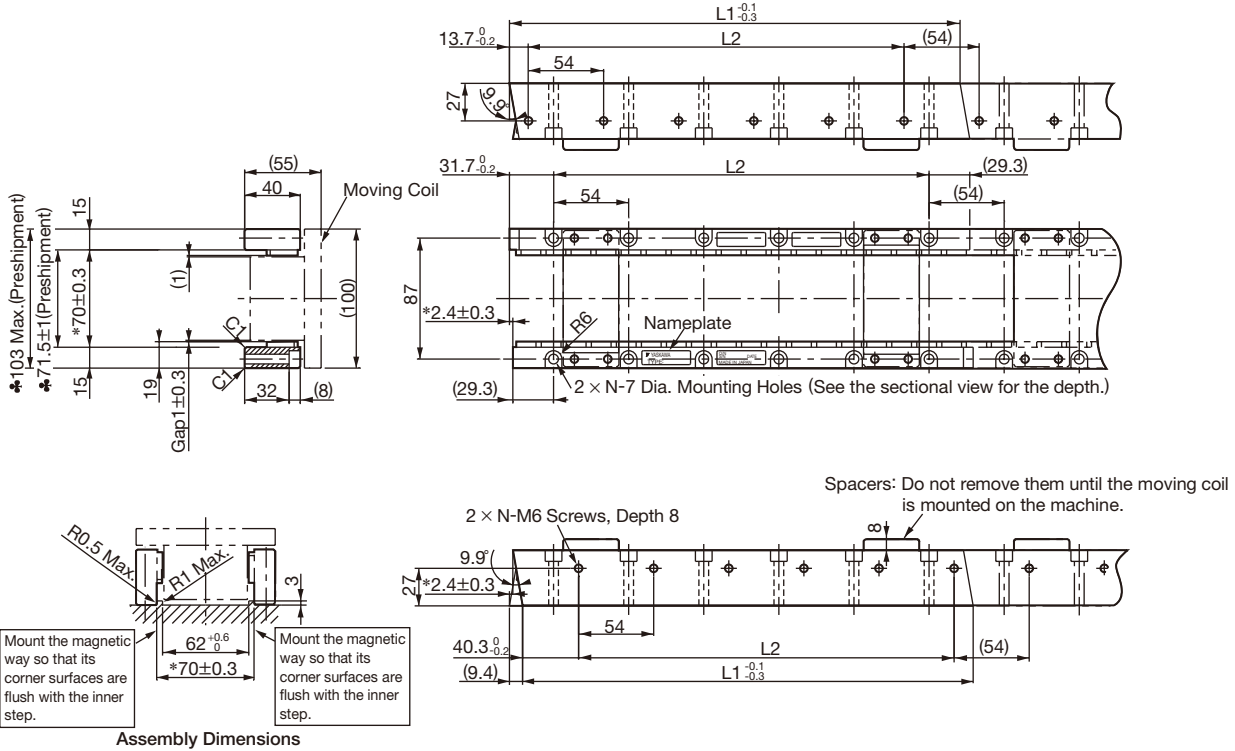
Hall Sensor Output Signals

When the moving coil moves in the direction indicated by the arrow in the figure, the relationship between the hall sensor output signals S_u , S_v , S_w and the inverse power of each motor phase V_u , V_v , V_w becomes as shown in the figure below.



External Dimensions Units: mm

● Magnetic Way : SGLTM-20□□□A□

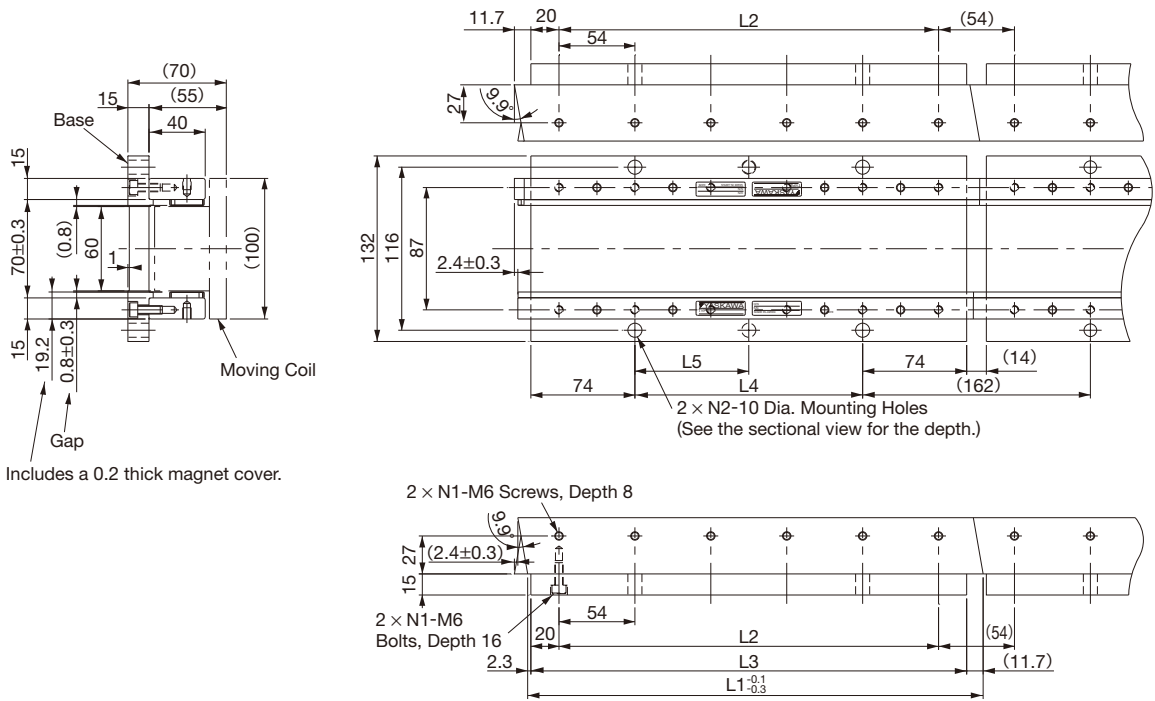


- Notes:
- Two magnetic ways for both ends of moving coil make one set. Spacers are mounted on magnetic ways for safety during transportation. Do not remove the spacers until the moving coil is mounted on a machine.
 - If you have a pacemaker or any other electronic medical device, do not go near the magnetic way of the linear servomotor.
 - Two magnetic ways in a set can be connected to each other.
 - The dimensions marked with an * are the dimensions between the magnetic ways. Be sure to follow exactly the dimensions specified in the figure above. Mount magnetic ways as shown in Assembly Dimensions. The values with a ♣ are the dimensions at preshipment.
 - Use socket headed screws of strength class 10.9 minimum for magnetic way mounting screws. Do not use stainless steel screws.

Magnetic Way Model SGLTM-	$L1_{-0.3}^{-0.1}$	$L2$	N	Approx. Mass kg
20324A□	324	270 (54×5)	6	3.4
20540A□	540	486 (54×9)	10	5.7
20756A□	756	702 (54×13)	14	7.9

External Dimensions Units: mm

● Magnetic Way with Base: SGLTM-20□□□AY



Includes a 0.2 thick magnet cover.

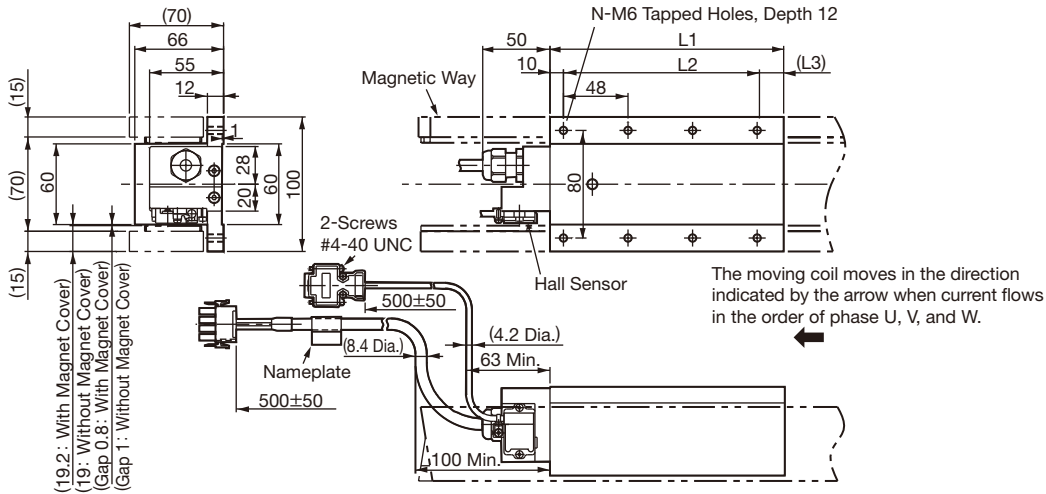
- Notes: 1 If you have a pacemaker or any other electronic medical device, do not go near the magnetic way of the linear servomotor.
- 2 Two magnetic ways in a set can be connected to each other.
- 3 The characteristics of the magnetic way with base are the same as of the magnetic way without base (SGLTM-20□□□A).

Magnetic Way Model SGLTM-	L1	L2	L3	L4	L5	N1	N2	Approx. Mass kg
20324AY	324	270	310	162	162	6	2	5.1
20540AY	540	486	526	378	189	10	3	8.5
20756AY	756	702	742	594	198	14	4	12

External Dimensions Units: mm

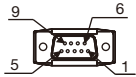
(2) Standard Type SGLTW-35

- Moving Coil: SGLTW-35A□□□A□ (With a connector by Tyco Electronics Japan G.K.)



Moving Coil Model SGLTW-	L1	L2	(L3)	N	Approx. Mass kg
35A170A□	170	144 (48×3)	(16)	8	3.7
35A320A□	315	288 (48×6)	(17)	14	6.8
35A460A□	460	432 (48×9)	(18)	20	10

Hall Sensor Connector Specifications



Pin Connector:
17JE-23090-02 (D8C)
by DDK Ltd.

The Mating Connector

Socket Connector:
17JE-13090-02 (D8C)
Stud: 17L-002C or
17L-002C1

Pin No.	Signal
1	+5VDC
2	Phase U
3	Phase V
4	Phase W
5	0V
6	Not used
7	Not used
8	Not used
9	Not used

Linear Servomotor Connector Specifications



Plug: 350779-1
Pin : 350218-3 or
350547-3 (No.1 to 3)
350654-1
350669-1 (No.4)

by Tyco Electronics Japan G.K.

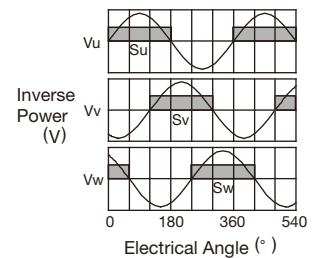
The Mating Connector

Cap : 350780-1
Socket: 350537-3 or
350550-3

Pin No.	Signal	Wire Color
1	Phase U	Red
2	Phase V	White
3	Phase W	Black
4	Ground	Green

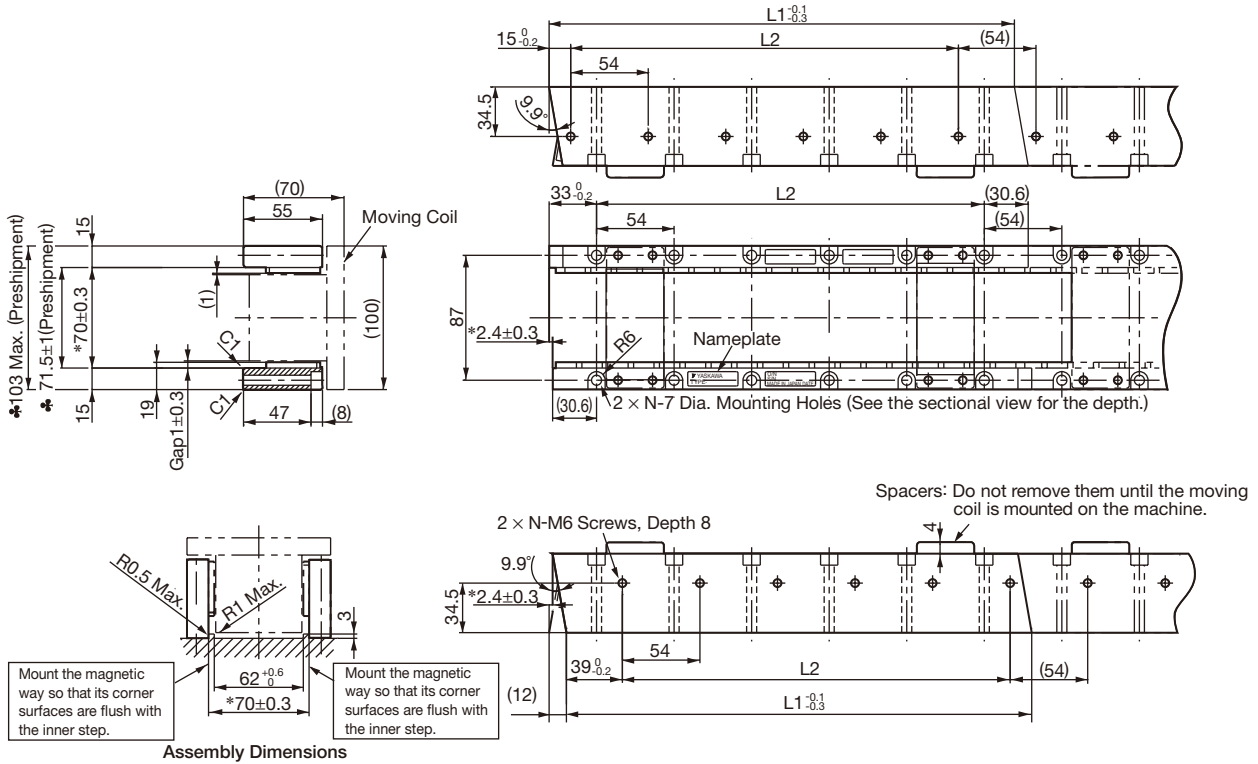
Hall Sensor Output Signals

When the moving coil moves in the direction indicated by the arrow in the figure, the relationship between the hall sensor output signals Su, Sv, Sw and the inverse power of each motor phase Vu, Vv, Vw becomes as shown in the figure below.



External Dimensions Units: mm

● Magnetic Way: SGLTM-35□□□A□



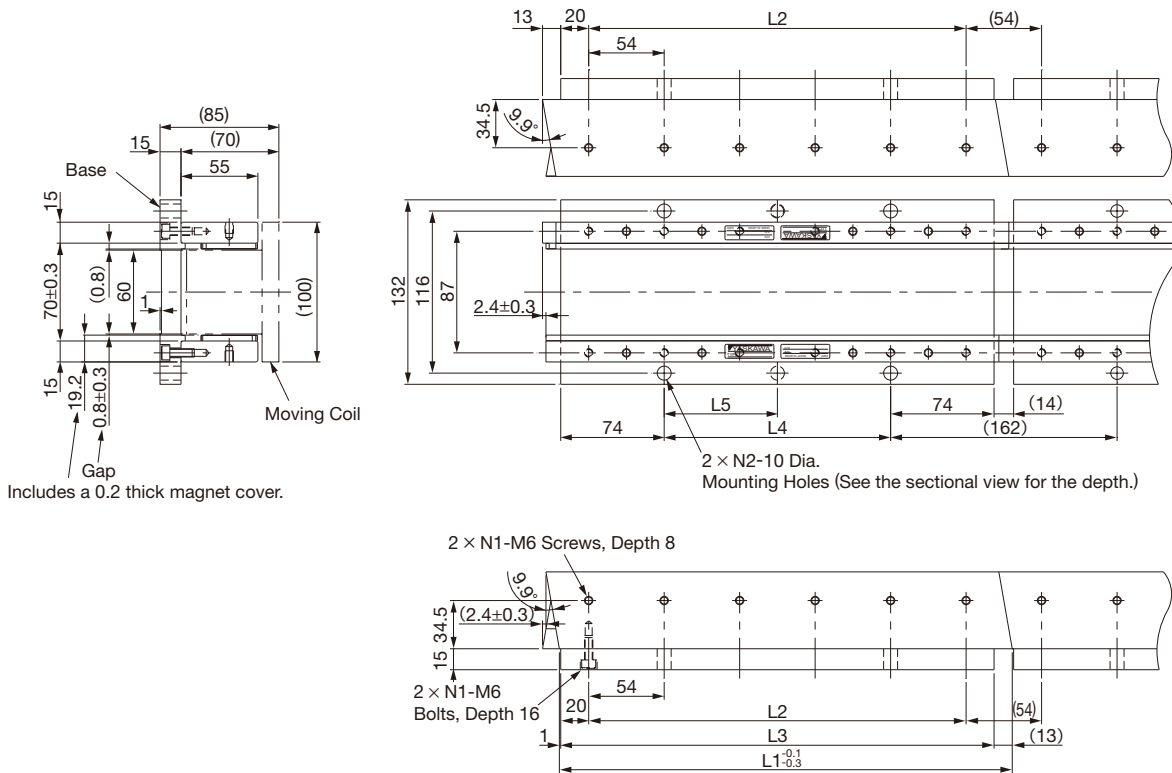
- Notes: 1 Two magnetic ways for both ends of moving coil make one set. Spacers are mounted on magnetic ways for safety during transportation. Do not remove the spacers until the moving coil is mounted on a machine.
 2 If you have a pacemaker or any other electronic medical device, do not go near the magnetic way of the linear servomotor.
 3 Two magnetic ways in a set can be connected to each other.
 4 The dimensions marked with an * are the dimensions between the magnetic ways. Be sure to follow exactly the dimensions specified in the figure above. Mount magnetic ways as shown in Assembly Dimensions. The values with a ♣ are the dimensions at preshipment.
 5 Use socket headed screws of strength class 10.9 minimum for magnetic way mounting screws. Do not use stainless steel screws.

Magnetic Way Model SGLTM-	L1 [♣] _{0.3}	L2	N	Approx. Mass kg
35324A□	324	270 (54×5)	6	4.8
35540A□	540	486 (54×9)	10	8
35756A□	756	702 (54×13)	14	11

SGLTW

External Dimensions Units: mm

● Magnetic Way with Base: SGLTM-35□□□AY



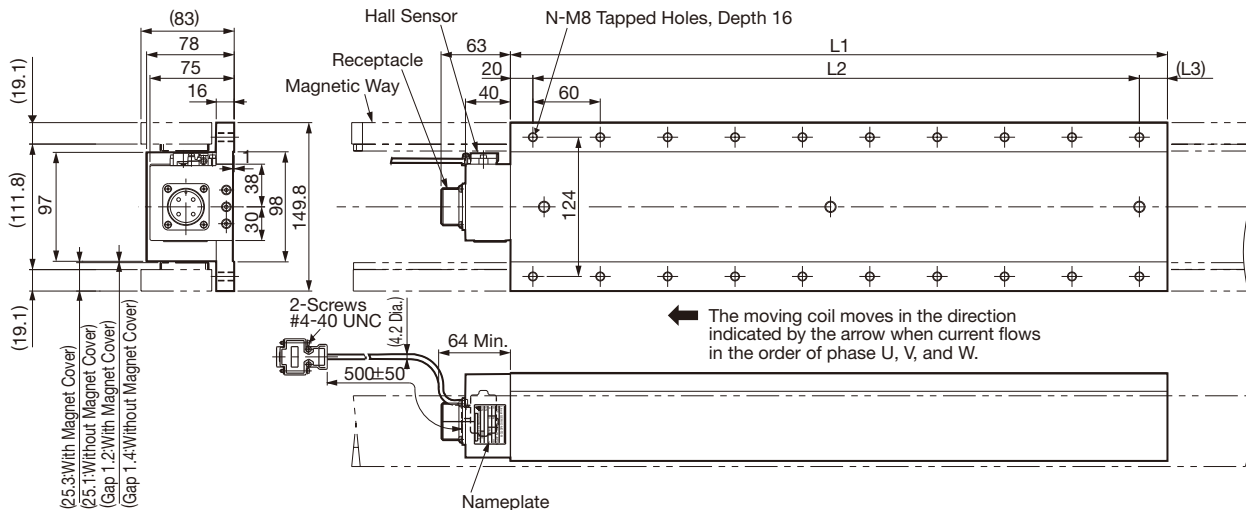
- Notes: 1 If you have a pacemaker or any other electronic medical device, do not go near the magnetic way of the linear servomotor.
 2 Two magnetic ways in a set can be connected to each other.
 3 The characteristics of the magnetic way with base are the same as of the magnetic way without base (SGLTM-35□□□A).

Magnetic Way Model SGLTM-	L1	L2	L3	L4	L5	N1	N2	Approx. Mass kg
35324AY	324	270	310	162	162	6	2	6.4
35540AY	540	486	526	378	189	10	3	11
35756AY	756	702	742	594	198	14	4	15

External Dimensions Units: mm

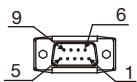
(3) Standard Type SGLTW-40

- Moving Coil: SGLTW-40□□□□□B□ (With an MS connector)



Moving Coil Model SGLTW-	L1	L2	(L3)	N	Approx. Mass kg
40□400B□	394.2	360(60×6)	(15)	14	15
40□600B□	574.2	540(60×9)	(15)	20	22

Hall Sensor Connector Specifications



Pin Connector:
17JE-23090-02 (D8C)
by DDK Ltd.

The Mating Connector

Socket Connector:
17JE-13090-02 (D8C)
Stud: 17L-002C or
17L-002C1

Pin No.	Signal
1	+5VDC
2	Phase U
3	Phase V
4	Phase W
5	0V
6	Not used
7	Not used
8	Not used
9	Not used

Linear Servomotor Connector Specifications



Receptacle type: MS3102A-22-22P
by DDK Ltd.

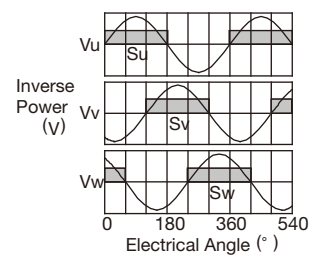
The Mating Connector

L-shaped plug type: MS3108B22-22S
Straight plug type : MS3106B22-22S
Cable clamp type : MS3057-12A

Pin No.	Signal
A	Phase U
B	Phase V
C	Phase W
D	Ground

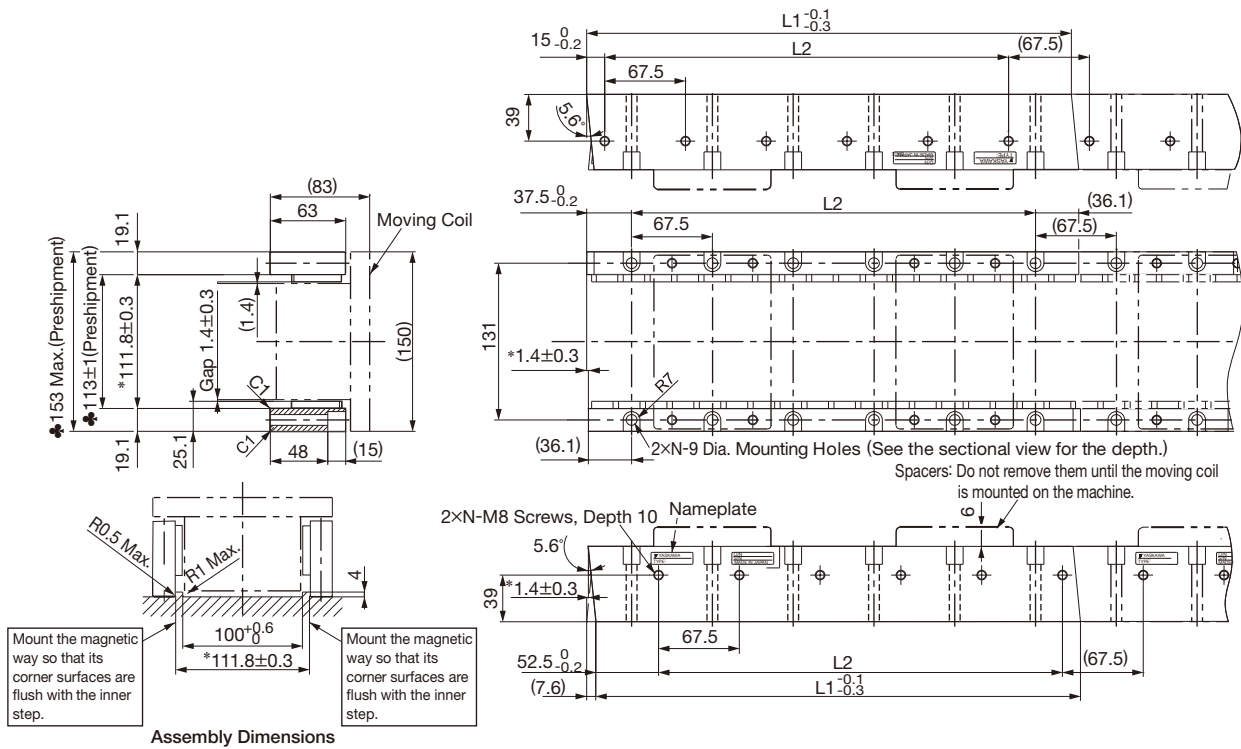
Hall Sensor Output Signals

When the moving coil moves in the direction indicated by the arrow in the figure, the relationship between the hall sensor output signals Su, Sv, Sw and the inverse power of each motor phase Vu, Vv, Vw becomes as shown in the figure below.



External Dimensions Units: mm

● Magnetic Way : SGLTM-40□□□A□

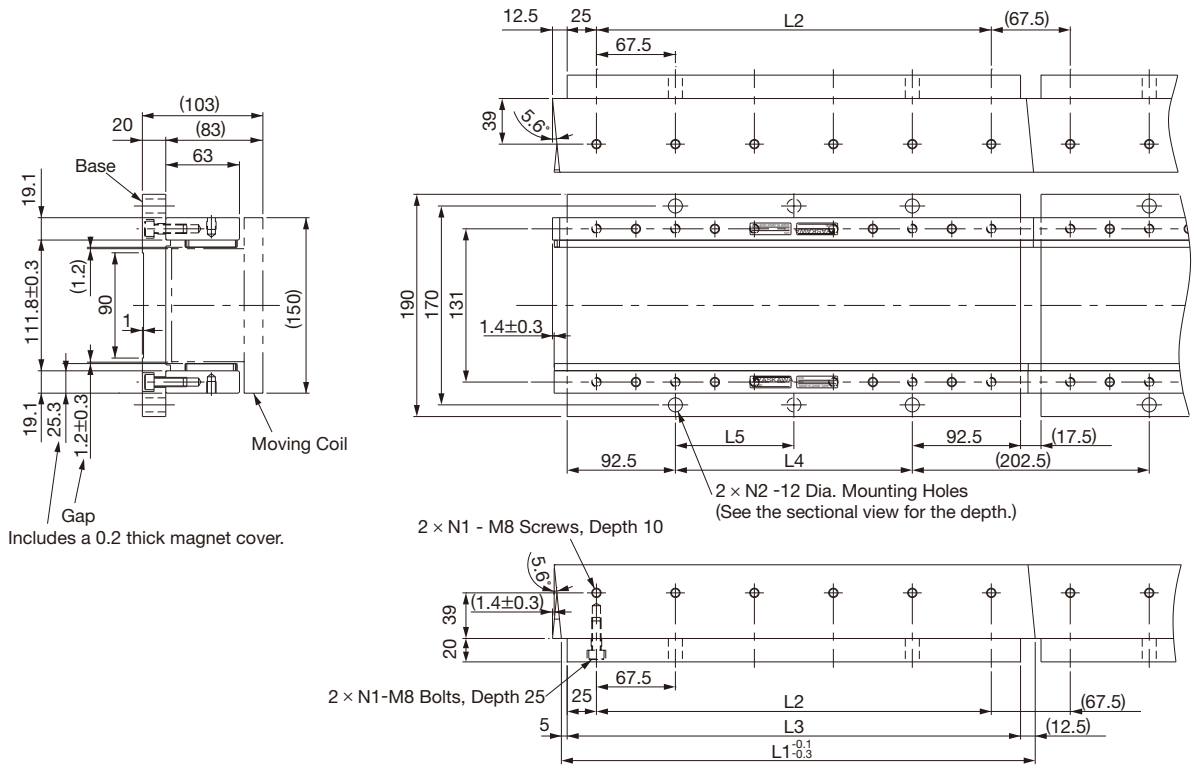


- Notes: 1 Two magnetic ways for both ends of moving coil make one set. Spacers are mounted on magnetic ways for safety during transportation. Do not remove the spacers until the moving coil is mounted on a machine.
- 2 If you have a pacemaker or any other electronic medical device, do not go near the magnetic way of the linear servomotor.
- 3 Two magnetic ways in a set can be connected to each other.
- 4 The dimensions marked with an * are the dimensions between the magnetic ways. Be sure to follow exactly the dimensions specified in the figure above. Mount magnetic ways as shown in Assembly Dimensions. The values with a ♣ are the dimensions at preshipment.
- 5 Use socket headed screws of strength class 10.9 minimum for magnetic way mounting screws. Do not use stainless steel screws.

Magnetic Way Model SGLTM-	L1 ^{-0.1} _{-0.3}	L2	N	Approx. Mass kg
40405A□	405	337.5 (67.5×5)	6	9
40675A□	675	607.5 (67.5×9)	10	15
40945A□	945	877.5 (67.5×13)	14	21

External Dimensions Units: mm

● Magnetic Way with Base: SGLTM-40□□□AY



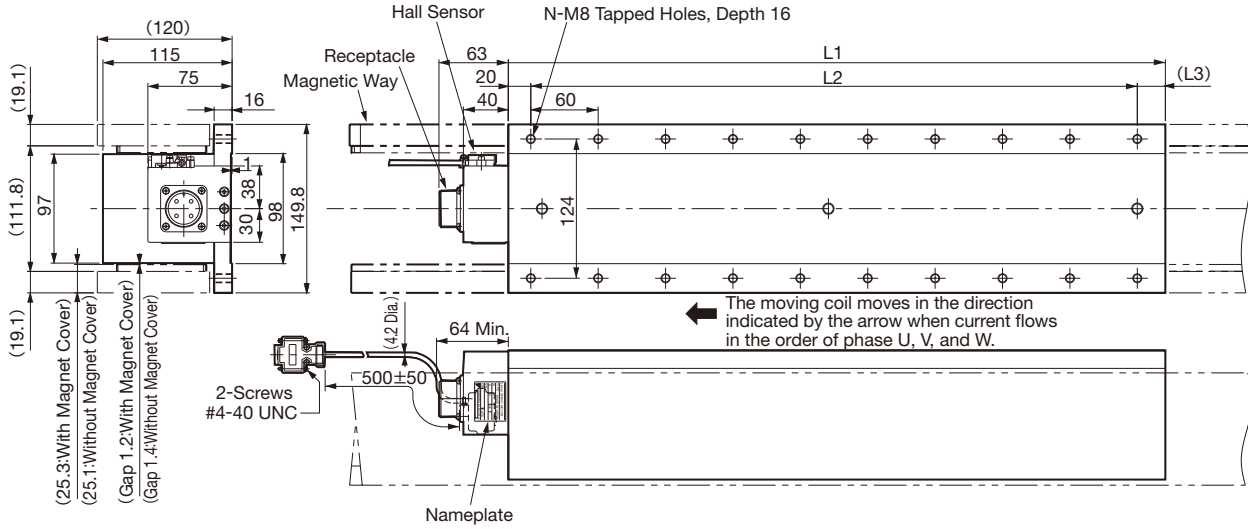
- Notes: 1 If you have a pacemaker or any other electronic medical device, do not go near the magnetic way of the linear servomotor.
 2 Two magnetic ways in a set can be connected to each other.
 3 The characteristics of the magnetic way with base are the same as of the magnetic way without base (SGLTM-40□□□A).

Magnetic Way Model SGLTM-	L1	L2	L3	L4	L5	N1	N2	Approx. Mass kg
40405AY	405	337.5	387.5	202.5	202.5	6	2	13
40675AY	675	607.5	657.5	472.5	236.25	10	3	21
40945AY	945	877.5	927.5	742.5	247.5	14	4	30

External Dimensions Units: mm

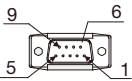
(4) Standard Type SGLTW-80

- Moving Coil: SGLTW-80□□□□B□ (With an MS connector)



Moving Coil Model SGLTW-	L1	L2	L3	N	Approx. Mass kg
80□400B□	394.2	360(60×6)	(15)	14	24
80□600B□	574.2	540(60×9)	(15)	20	35

Hall Sensor Connector Specifications



Pin Connector:
17JE-23090-02 (D8C)
by DDK Ltd.

The Mating Connector

Socket Connector:
17JE-13090-02 (D8C)
Stud: 17L-002C or
17L-002C1

Pin No.	Signal
1	+5VDC
2	Phase U
3	Phase V
4	Phase W
5	0V
6	Not used
7	Not used
8	Not used
9	Not used

Linear Servomotor Connector Specifications



Receptacle type: MS3102A-22-22P
by DDK Ltd.

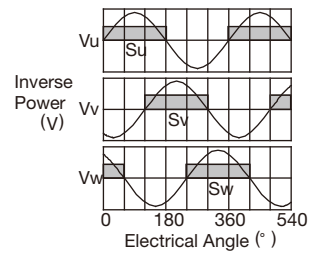
The Mating Connector

L-shaped plug type: MS3108B22-22S
Straight plug type : MS3106B22-22S
Cable clamp type : MS3057-12A

Pin No.	Signal
A	Phase U
B	Phase V
C	Phase W
D	Ground

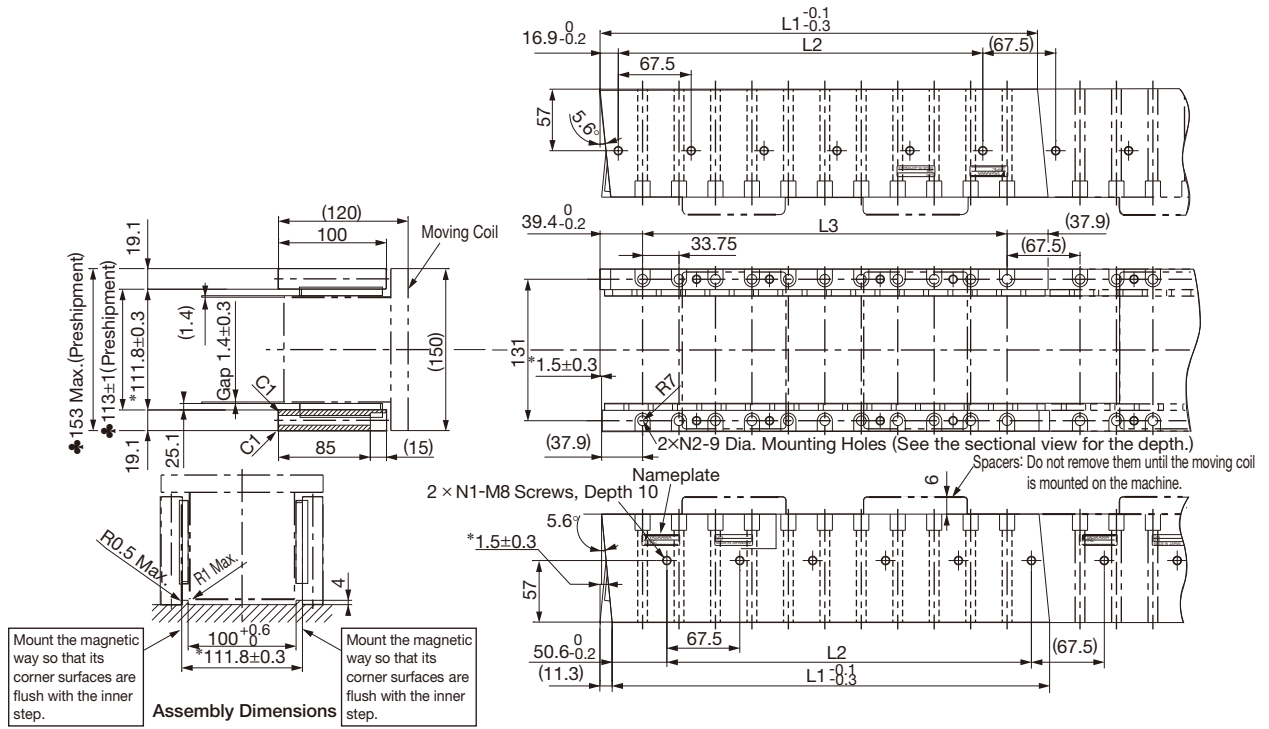
Hall Sensor Output Signals

When the moving coil moves in the direction indicated by the arrow in the figure, the relationship between the hall sensor output signals S_u , S_v , S_w and the inverse power of each motor phase V_u , V_v , V_w becomes as shown in the figure below.



External Dimensions Units: mm

● Magnetic Way : SGLTM-80□□□A□

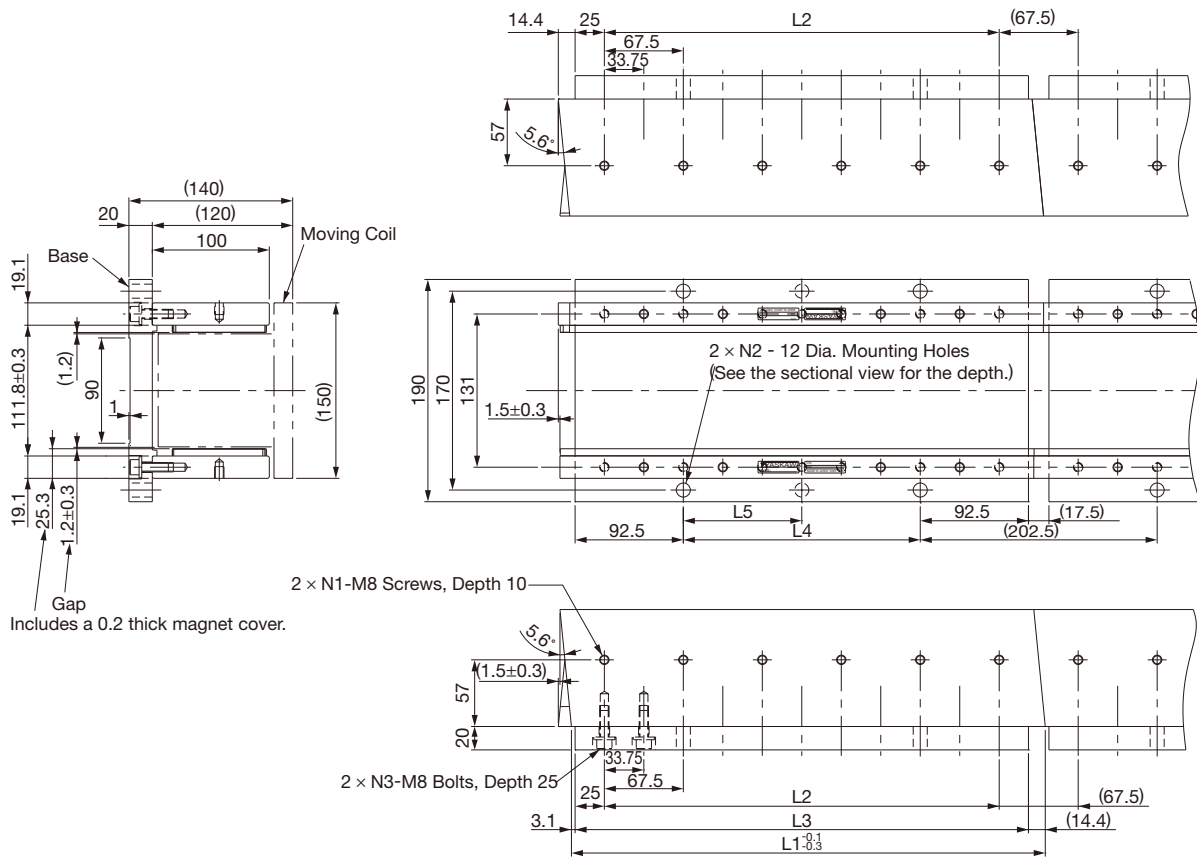


- Notes: 1 Two magnetic ways for both ends of moving coil make one set. Spacers are mounted on magnetic ways for safety during transportation. Do not remove the spacers until the moving coil is mounted on a machine.
 2 If you have a pacemaker or any other electronic medical device, do not go near the magnetic way of the linear servomotor.
 3 Two magnetic ways in a set can be connected to each other.
 4 The dimensions marked with an * are the dimensions between the magnetic ways. Be sure to follow exactly the dimensions specified in the figure above. Mount magnetic ways as shown in Assembly Dimensions. The values with a ♣ are the dimensions at preshipment.
 5 Use socket headed screws of strength class 10.9 minimum for magnetic way mounting screws. Do not use stainless steel screws.

Magnetic Way Model SGLTM-	L1 ^{-0.1} _{-0.3}	L2	L3	N1	N2	Approx. Mass kg
80405A□	405	337.5(67.5×5)	337.5(33.75×10)	6	11	14
80675A□	675	607.5(67.5×9)	607.5(33.75×18)	10	19	24
80945A□	945	877.5(67.5×13)	887.5(33.75×26)	14	27	34

External Dimensions Units: mm

● Magnetic Way with Base: SGLTM-80□□□AY



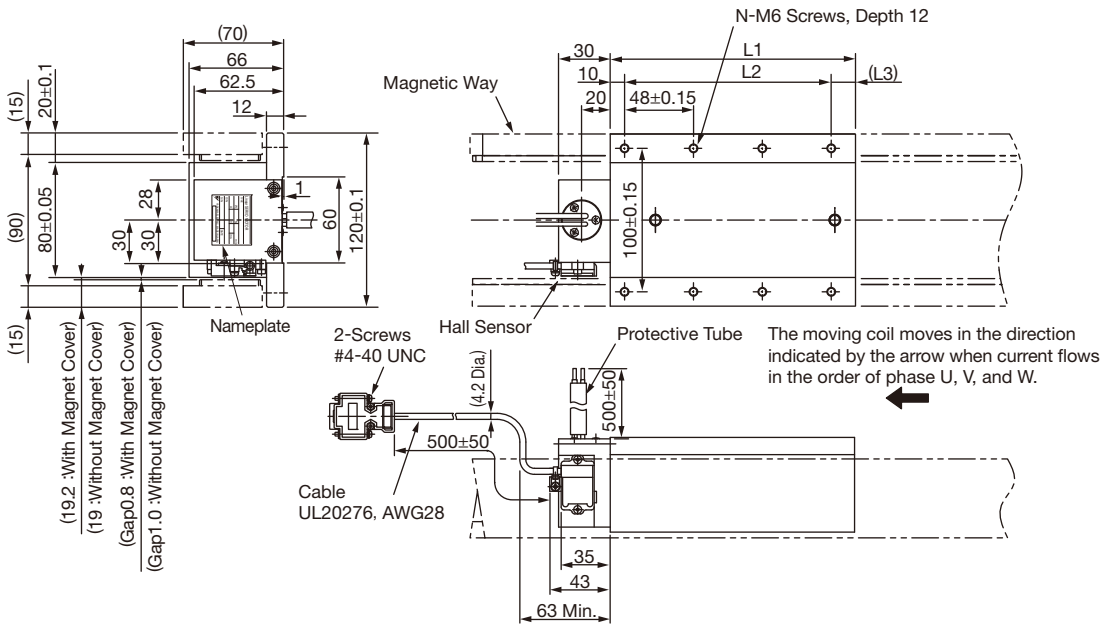
- Notes: 1 If you have a pacemaker or any other electronic medical device, do not go near the magnetic way of the linear servomotor.
 2 Two magnetic ways in a set can be connected to each other.
 3 The characteristics of the magnetic way with base are the same as of the magnetic way without base (SGLTM-80□□□A).

Magnetic Way Model SGLTM-	L1	L2	L3	L4	L5	N1	N2	N3	Approx. Mass kg
80405AY	405	337.5	387.5	202.5	202.5	6	2	11	18
80675AY	675	607.5	657.5	472.5	236.25	10	3	19	31
80945AY	945	877.5	927.5	742.5	247.5	14	4	27	43

External Dimensions Units: mm

(5) High-efficiency Type SGLTW-35A□□□H□

- Moving Coil: SGLTW-35A□□□H□ (Loose Lead Wires without Connectors)



Moving Coil Model SGLTW-	L1	L2	(L3)	N	Approx. Mass kg
35A170H□	170	144 (48×3)	(16)	8	4.7
35A320H□	315	288 (48×6)	(17)	14	8.8

Hall Sensor Connector Specifications



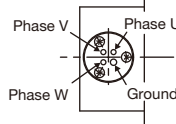
Pin Connector:
17JE-23090-02 (D8C)
by DDK Ltd.

The Mating Connector
Socket Connector:
17JE-13090-02 (D8C)
Stud: 17L-002C or
17L-002C1

Pin No.	Signal
1	+5VDC
2	Phase U
3	Phase V
4	Phase W
5	0V
6	Not used
7	Not used
8	Not used
9	Not used

Lead Specifications of Moving Coil

If this cable is bent repetitively, the cable will disconnect.

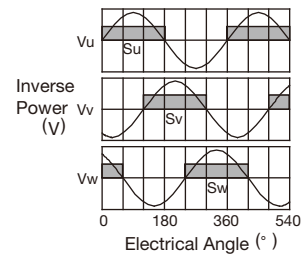


(View from Top of Moving Coil)

Name	Color	Code	Wire Size
Phase U	Red	U	2 mm ²
Phase V	White	V	
Phase W	Black	W	
Ground	Green	-	2 mm ²

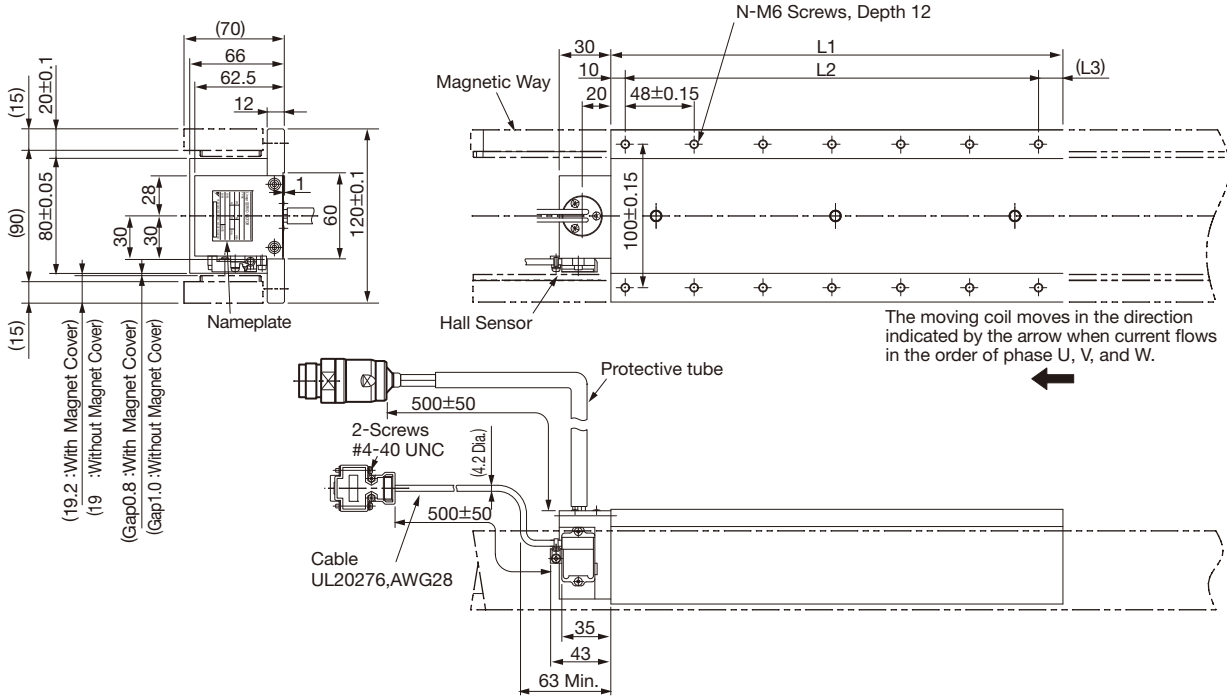
Hall Sensor Output Signals

When the moving coil moves in the direction indicated by the arrow in the figure, the relationship between the hall sensor output signals S_u , S_v , S_w and the inverse power of each motor phase V_u , V_v , V_w becomes as shown in the figure below.



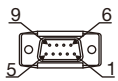
External Dimensions Units: mm

● Moving Coil: SGLTW-35D□□□H□D (With a connector by Interconnectron GmbH)



Moving Coil Model SGLTW-	L1	L2	(L3)	N	Approx. Mass kg
35D170H□D	170	144(48×3)	(16)	8	4.7
35D320H□D	315	288(48×6)	(17)	14	8.8

Hall Sensor Connector Specifications



Pin Connector:
17JE-23090-02 (D8C)
by DDK Ltd.

The Mating Connector

Socket Connector:
17JE-13090-02 (D8C)
Stud: 17L-002C or
17L-002C1

Pin No.	Signal
1	+5VDC
2	Phase U
3	Phase V
4	Phase W
5	0V
6	Not used
7	Not used
8	Not used
9	Not used

Linear Servomotor Connector Specifications



Extension : ARRA06AMRPN182
Pin : 021.279.1020
by Interconnectron GmbH

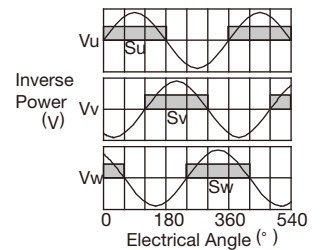
The Mating Connector

Plug : APRA06BFRDN170
Socket : 020.105.1020

Pin No.	Signal
1	Phase U
2	Phase V
4	Phase W
5	Not used
6	Not used
⊕	Ground

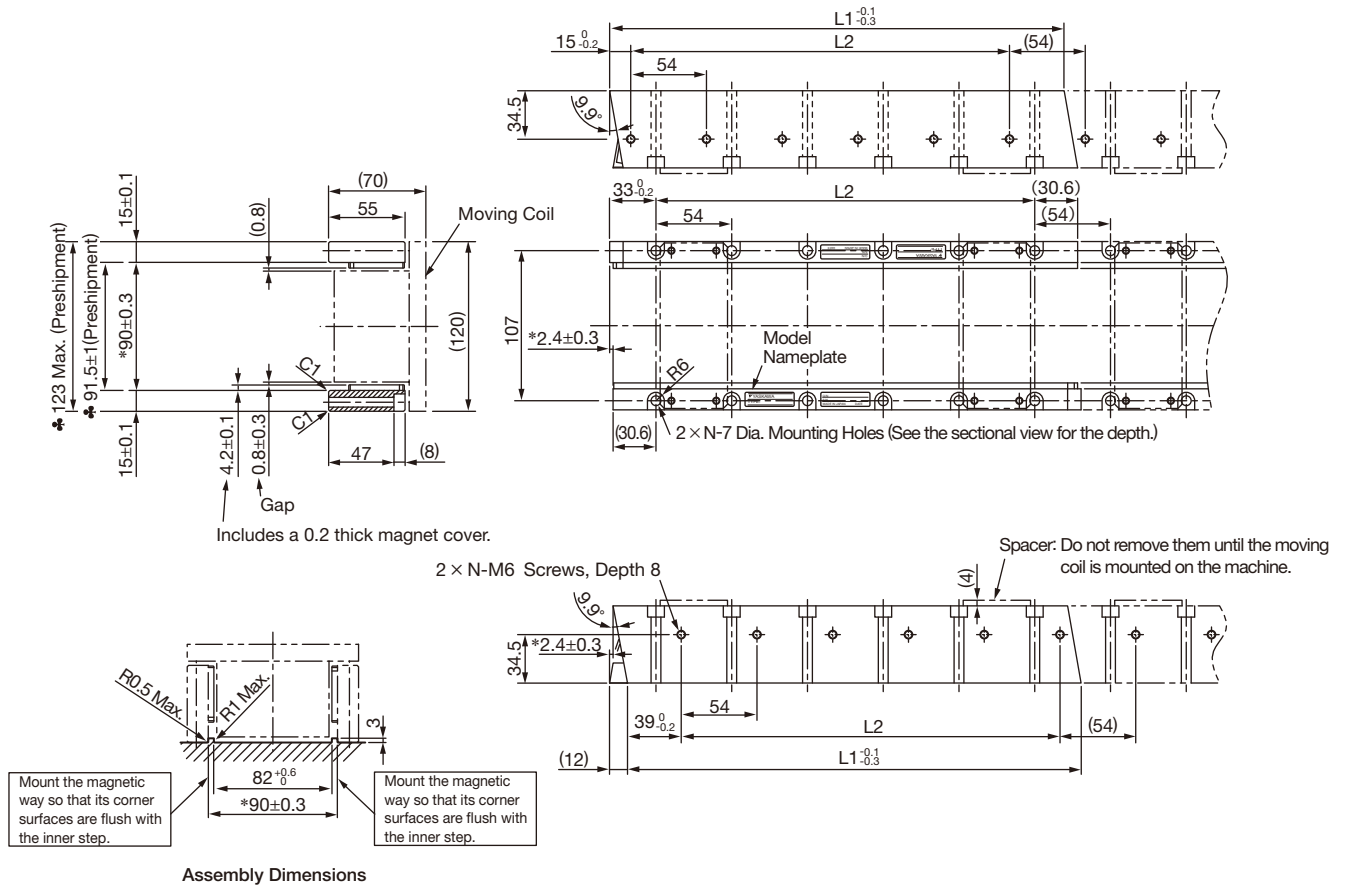
Hall Sensor Output Signals

When the moving coil moves in the direction indicated by the arrow in the figure, the relationship between the hall sensor output signals S_u , S_v , S_w and the inverse power of each motor phase V_u , V_v , V_w becomes as shown in the figure below.



External Dimensions Units: mm

● Magnetic Way: SGLTM-35□□□H□



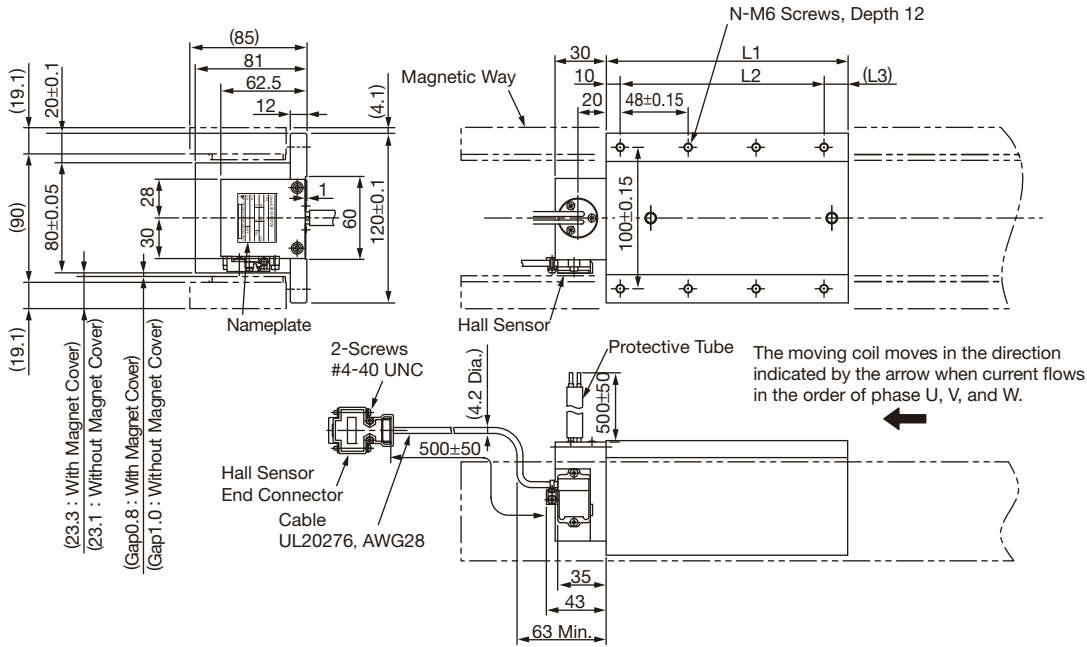
- Notes: 1 Two magnetic ways for both ends of moving coil make one set. Spacers are mounted on magnetic ways for safety during transportation. Do not remove the spacers until the moving coil is mounted on a machine.
 2 If you have a pacemaker or any other electronic medical device, do not go near the magnetic way of the linear servomotor.
 3 Two magnetic ways in a set can be connected to each other.
 4 The dimensions marked with an * are the dimensions between the magnetic ways. Be sure to follow exactly the dimensions specified in the figure above. Mount magnetic ways as shown in Assembly Dimensions. The values with a ♣ are the dimensions at preshipment.
 5 Use socket headed screws of strength class 10.9 minimum for magnetic way mounting screws. Do not use stainless steel screws.

Magnetic Way Model SGLTM-	L1 ^{-0.1} _{-0.3}	L2	N	Approx. Mass kg
35324H□	324	270 (54×5)	6	4.8
35540H□	540	486 (54×9)	10	8
35756H□	756	702 (54×13)	14	11

External Dimensions Units: mm

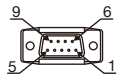
(6) High-efficiency Type SGLTW-50

- Moving Coil: SGLTW-50A□□□H□ (Loose Lead Wires without Connectors)



Moving Coil Model SGLTW-	L1	L2	(L3)	N	Approx. Mass kg
50A170H□	170	144 (48×3)	(16)	8	6
50A320H□	315	288 (48×6)	(17)	14	11

Hall Sensor Connector Specifications



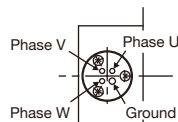
Pin Connector:
17JE-23090-02 (D8C)
by DDK Ltd.

The Mating Connector
Socket Connector:
17JE-13090-02 (D8C)
Stud: 17L-002C or
17L-002C1

Pin No.	Signal
1	+5VDC
2	Phase U
3	Phase V
4	Phase W
5	0V
6	Not used
7	Not used
8	Not used
9	Not used

Lead Specifications of Moving Coil

- If this cable is bent repetitively, the cable will disconnect.

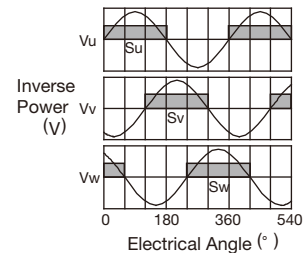


(View from Top of Moving Coil)

Name	Color	Code	Wire Size
Phase U	Red	U	2 mm ²
Phase V	White	V	
Phase W	Black	W	
Ground	Green	-	2 mm ²

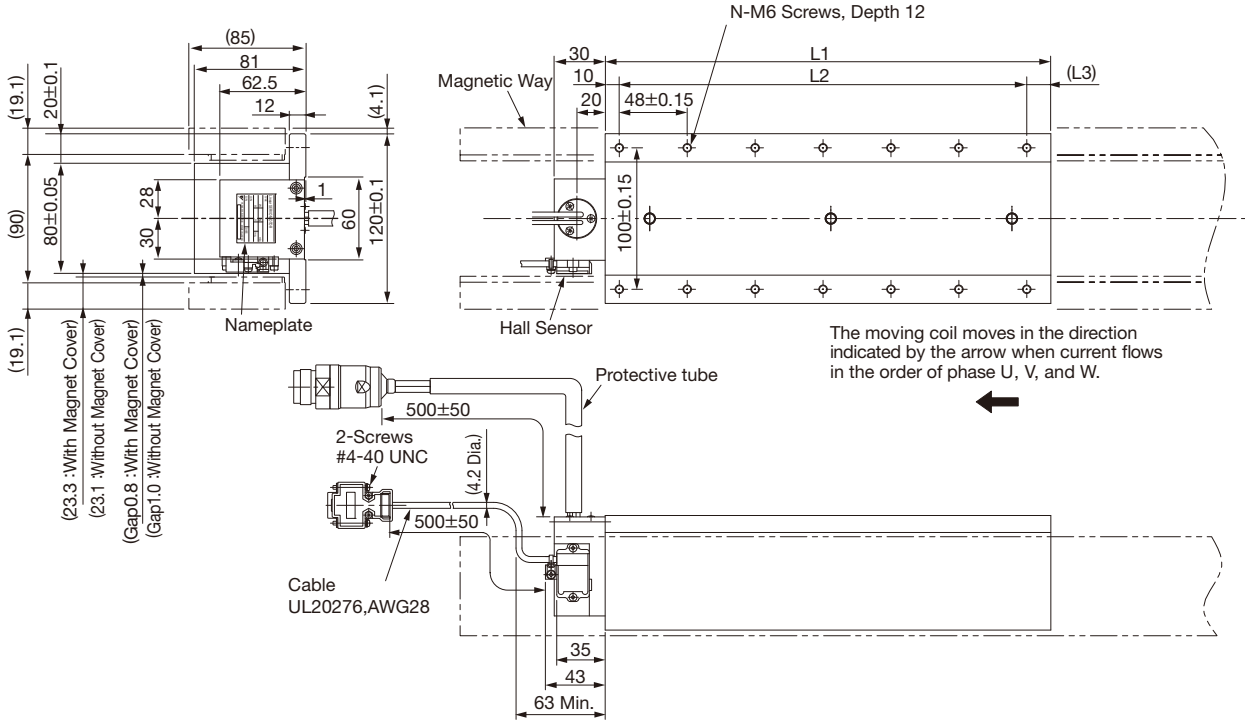
Hall Sensor Output Signals

When the moving coil moves in the direction indicated by the arrow in the figure, the relationship between the hall sensor output signals S_u , S_v , S_w and the inverse power of each motor phase V_u , V_v , V_w becomes as shown in the figure below.



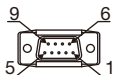
External Dimensions Units: mm

- Moving Coil: SGLTW-50D□□□H□D (With a connector by Interconnectron GmbH)



Moving Coil Model SGLTW-	L1	L2	(L3)	N	Approx. Mass kg
50D170H□D	170	144(48×3)	(16)	8	6
50D320H□D	315	288(48×6)	(17)	14	11

Hall Sensor
Connector Specifications



Pin Connector:
17JE-23090-02 (D8C)
by DDK Ltd.

The Mating Connector

Socket Connector:
17JE-13090-02 (D8C)
Stud: 17L-002C or
17L-002C1

Pin No.	Signal
1	+5VDC
2	Phase U
3	Phase V
4	Phase W
5	0V
6	Not used
7	Not used
8	Not used
9	Not used

Linear Servomotor
Connector Specifications



Extension : ARRA06AMRPN182
Pin : 021.279.1020
by Interconnectron GmbH

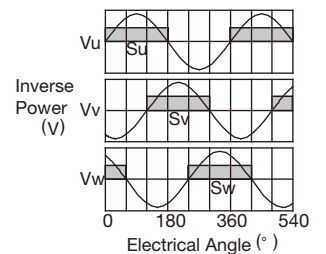
The Mating Connector

Plug : APRA06BFRDN170
Socket : 020.105.1020

Pin No.	Signal
1	Phase U
2	Phase V
4	Phase W
5	Not used
6	Not used
⊕	Ground

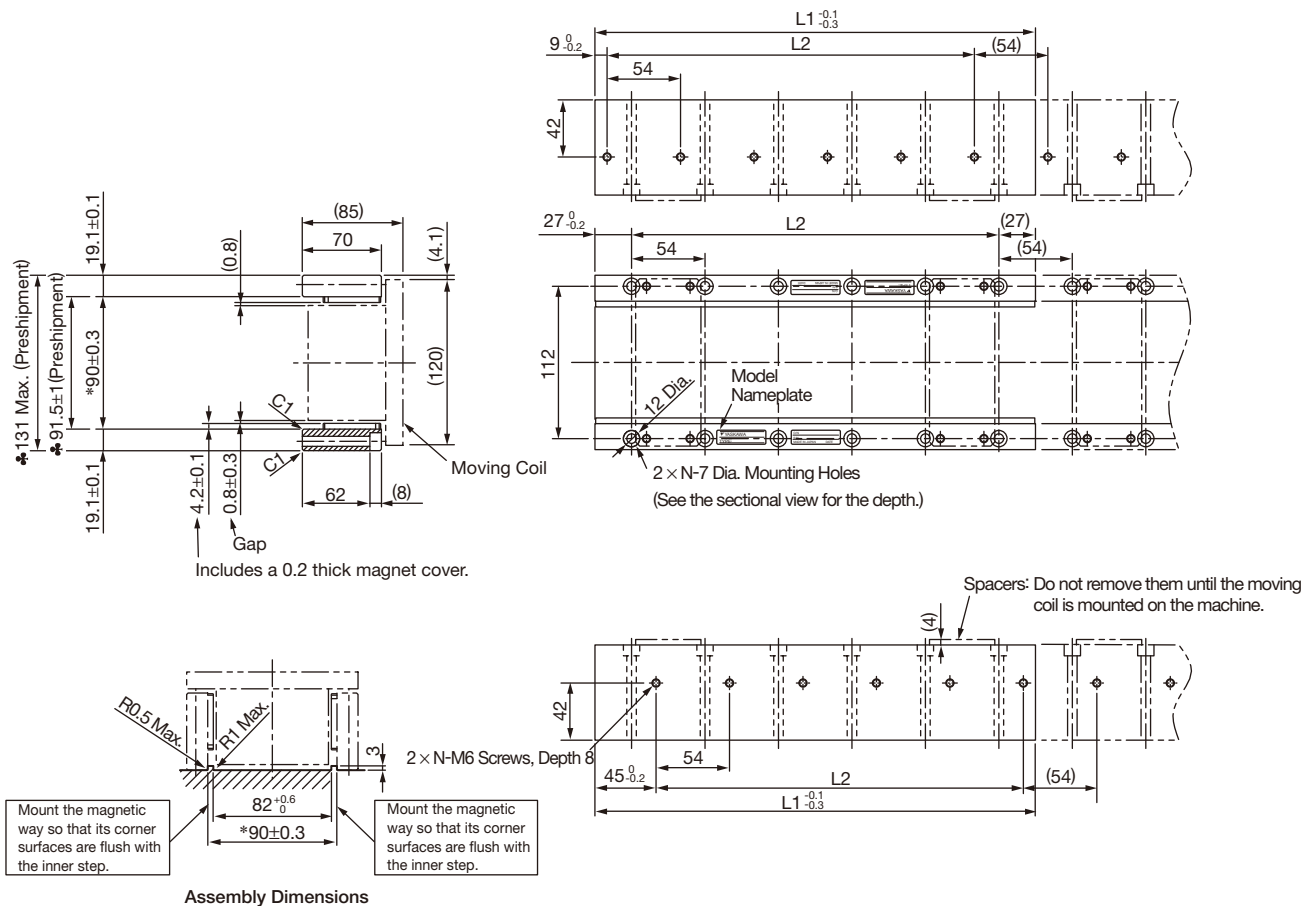
Hall Sensor Output Signals

When the moving coil moves in the direction indicated by the arrow in the figure, the relationship between the hall sensor output signals Su, Sv, Sw and the inverse power of each motor phase Vu, Vv, Vw becomes as shown in the figure below.



External Dimensions Units: mm

● Magnetic Way: SGLTM-50□□□H□

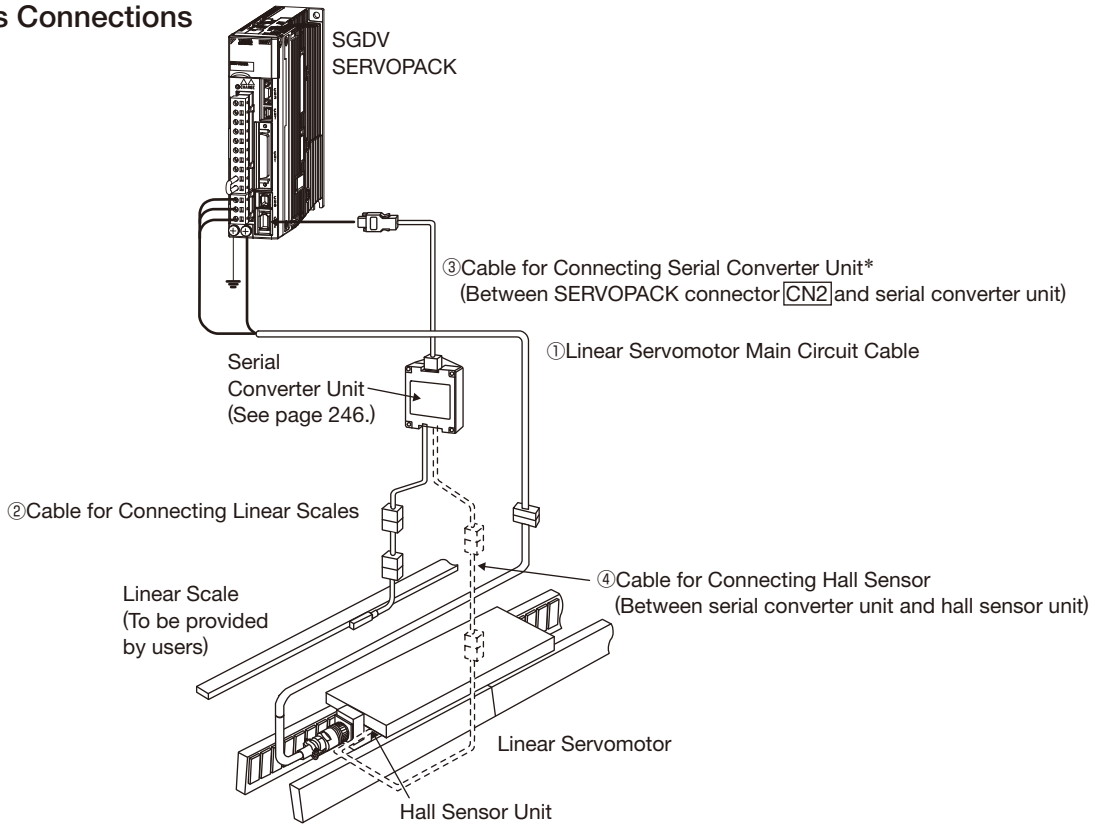


- Notes: 1 Two magnetic ways for both ends of moving coil make one set. Spacers are mounted on magnetic ways for safety during transportation. Do not remove the spacers until the moving coil is mounted on a machine.
 2 If you have a pacemaker or any other electronic medical device, do not go near the magnetic way of the linear servomotor.
 3 Two magnetic ways in a set can be connected to each other.
 4 The dimensions marked with an * are the dimensions between the magnetic ways. Be sure to follow exactly the dimensions specified in the figure above. Mount magnetic ways as shown in Assembly Dimensions. The values with a ♣ are the dimensions at preshipment.
 5 Use socket headed screws of strength class 10.9 minimum for magnetic way mounting screws. Do not use stainless steel screws.

Magnetic Way Model SGLTM-	L1 ^{-0.1} / _{-0.3}	L2	N	Approx. Mass kg
50324H□	324	270 (54×5)	6	8
50540H□	540	486 (54×9)	10	13
50756H□	756	702 (54×13)	14	18

Selecting Cables

● Cables Connections



*: A serial converter unit can be connected directly to an absolute linear scale.

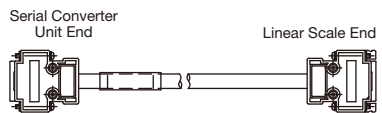
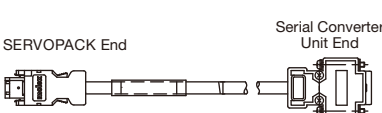
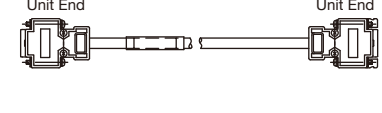
● Cables

Name	Applicable Linear Servomotor Model	Length	Order No.	Specifications	Details
① Linear Servomotor Main Circuit Cables	SGLTW -20A□□□□□□, -35A□□□□A□	1 m	JZSP-CLN21-01-E		(1)
		3 m	JZSP-CLN21-03-E		
		5 m	JZSP-CLN21-05-E		
		10 m	JZSP-CLN21-10-E		
		15 m	JZSP-CLN21-15-E		
		20 m	JZSP-CLN21-20-E		
	SGLTW -40□□□□B□, -80□□□□B□	1 m	JZSP-CLN39-01-E		(2)
		3 m	JZSP-CLN39-03-E		
		5 m	JZSP-CLN39-05-E		
		10 m	JZSP-CLN39-10-E		
		15 m	JZSP-CLN39-15-E		
		20 m	JZSP-CLN39-20-E		
	SGLTW -□□A□□□□□□D	1 m	JZSP-CLN14-01-E		(3)
		3 m	JZSP-CLN14-03-E		
		5 m	JZSP-CLN14-05-E		
		10 m	JZSP-CLN14-10-E		
		15 m	JZSP-CLN14-15-E		
		20 m	JZSP-CLN14-20-E		
	SGLTW -35D□□□H□D, -50D□□□H□D	1 m	JZSP-CLN15-01-E		(4)
		3 m	JZSP-CLN15-03-E		
		5 m	JZSP-CLN15-05-E		
		10 m	JZSP-CLN15-10-E		
		15 m	JZSP-CLN15-15-E		
		20 m	JZSP-CLN15-20-E		

*1: Connector by Tyco Electronics Japan G.K.
*2: MS connector
*3: Connector by Interconnectron GmbH

(cont'd)

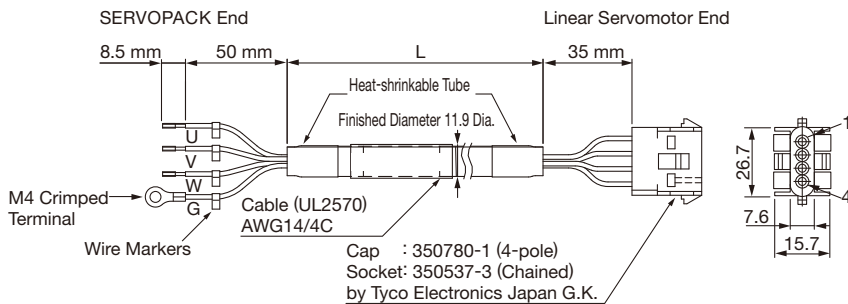
Selecting Cables

Name	Applicable Linear Servomotor Model	Length	Order No.	Specifications	Details
② Cables for Connecting Linear Scales*	For Linear Scale by Renishaw plc.	1 m	JZSP-CLL00-01-E		(5)
		3 m	JZSP-CLL00-03-E		
		5 m	JZSP-CLL00-05-E		
		10 m	JZSP-CLL00-10-E		
		15 m	JZSP-CLL00-15-E		
	For Linear Scale by HEIDENHAIN Corporation	1 m	JZSP-CLL30-01-E		
		3 m	JZSP-CLL30-03-E		
		5 m	JZSP-CLL30-05-E		
		10 m	JZSP-CLL30-10-E		
		15 m	JZSP-CLL30-15-E		
③ Cables for Connecting Serial Converter Units	All models	1 m	JZSP-CLP70-01-E		(6)
		3 m	JZSP-CLP70-03-E		
		5 m	JZSP-CLP70-05-E		
		10 m	JZSP-CLP70-10-E		
		15 m	JZSP-CLP70-15-E		
		20 m	JZSP-CLP70-20-E		
④ Cables for Connecting Hall Sensors	All models	1 m	JZSP-CLL10-01-E		(7)
		3 m	JZSP-CLL10-03-E		
		5 m	JZSP-CLL10-05-E		
		10 m	JZSP-CLL10-10-E		
		15 m	JZSP-CLL10-15-E		

*: When using serial converter unit JZDP-G00□-□□□-E, the maximum cable length should be 3 m.

(1) Linear Servomotor Main Circuit Cables: JZSP-CLN21-□□-E

· Wiring Specifications

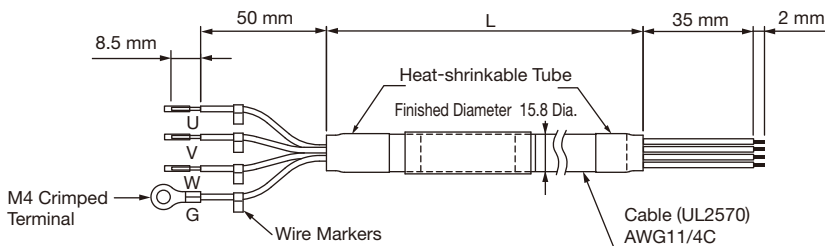


SERVOPACK-end Leads		Linear Servomotor-end Connector	
Wire Color	Signal	Signal	Pin No.
Red	Phase U	Phase U	1
White	Phase V	Phase V	2
Blue	Phase W	Phase W	3
Green/yellow	FG	FG	4

(2) Linear Servomotor Main Circuit Cables: JZSP-CLN39-□□-E

A connector is not provided on the linear-servomotor end of the main circuit cable (JZSP-CLN39-□□-E). This connector is provided by the customer.

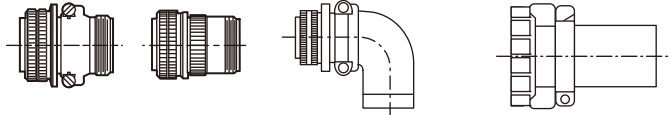
· Wiring Specifications



SERVOPACK-end Leads		Linear Servomotor-end Connector	
Wire Color	Signal	Signal	Pin No.
Red	Phase U	Phase U	A
White	Phase V	Phase V	B
Black	Phase W	Phase W	C
Green/yellow	FG	FG	D

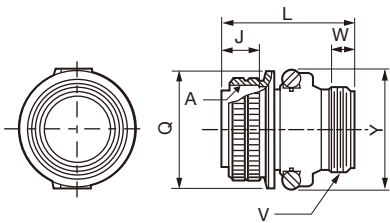
Selecting Cables

● JZSP-CLN39 Cable Connectors



Applicable Linear Servomotor Model	Attached Connector	Plug		Cable Clamp
		Straight	Straight L-shaped	
SGLTW-40, -80	MS3102A22-22P	MS3106B22-22S or MS3106A22-22S	MS3108B22-22S	MS3057-12A

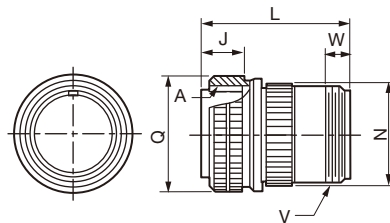
(a) MS3106B: Straight Plug with Front-shell and Back-shell Separated



Units: mm

Shell Size	Joint Screw A	Joint Length J±0.12	Max. Overall Length L	Outer Diameter of Nut Q ⁺⁰ _{-0.38}	Cable Clamp Mounting Screw V	Min. Effective Screw Length W	Max. Width Y
22	1 3/8 -18UNEF	18.26	55.57	40.48	1 3/16 -18UNEF	9.53	50

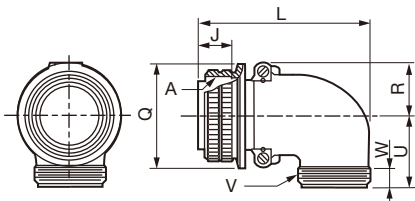
(b) MS3106A: Straight Plug with Solid Shell



Units: mm

Shell Size	Joint Screw A	Joint Length J±0.12	Overall Length L±0.5	Outer Diameter of Nut Q ⁺⁰ _{-0.38}	Outer Diameter N±0.5	Cable Clamp Mounting Screw V	Min. Effective Screw Length W
22	1 3/8 -18UNEF	18.26	54	40.48	34.99	1 3/16 -18UNEF	9.53

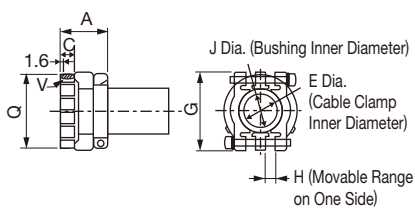
(c) MS3108B: L-shaped Plug with Front-shell and Back-shell Separated



Units: mm

Shell Size	Joint Screw A	Joint Length J±0.12	Max. Overall Length L	R ±0.5	U ±0.5	Outer Diameter of Nut Q ⁺⁰ _{-0.38}	Cable Clamp Mounting Screw V	Min. Effective Screw Length W
22	1 3/8 -18UNEF	18.26	76.98	24.1	33.3	40.48	1 3/16 -18UNEF	9.53

(d) MS3057-12A: Cable Clamp with Rubber Bushing



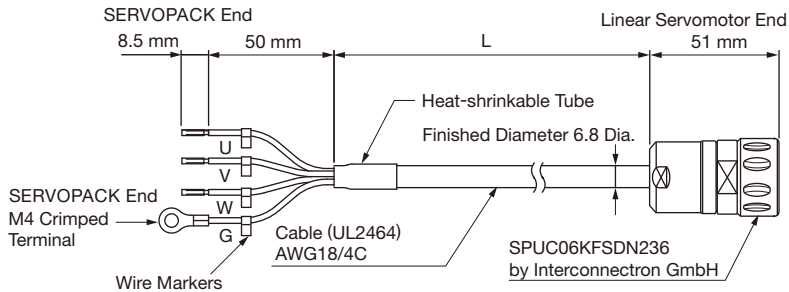
Units: mm

Applicable Shell Size	Overall Length A±0.7	Effective Screw Length C	E	G±0.7	H	J	Mounting Screw V	Outer Diameter Q±0.7	Rubber Bushing Type
20,22	23.8	10.3	19.0	37.3	4.0	15.9	1 3/16 -18UNEF	35.0	AN3420 -12

SGLTW

Selecting Cables

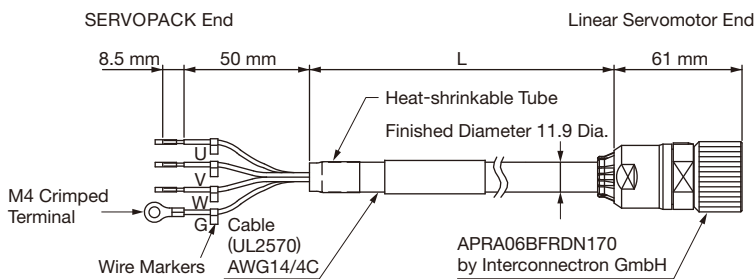
(3) Linear Servomotor Main Circuit Cables: JZSP-CLN14-□□-E



• Wiring Specifications

SERVOPACK-end Leads		Linear Servomotor-end Connector	
Wire Color	Signal	Signal	Pin No.
Black (White 1)	Phase U	Phase U	1
Black (White 2)	Phase V	Phase V	2
Black (White 3)	Phase W	Phase W	3
Green / yellow	FG	-	4
		-	5
		FG	6

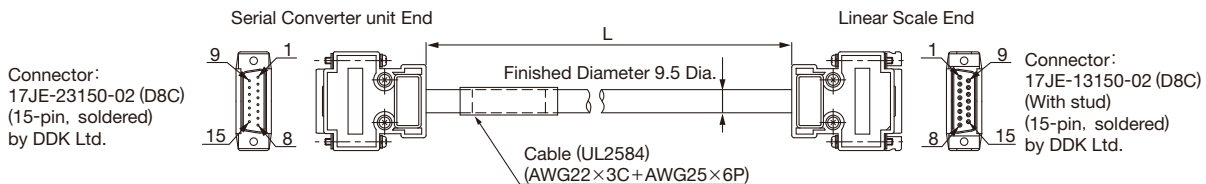
(4) Linear Servomotor Main Circuit Cables: JZSP-CLN15-□□-E



• Wiring Specifications

SERVOPACK-end Leads		Linear Servomotor-end Connector	
Wire Color	Signal	Signal	Pin No.
Red	Phase U	Phase U	1
White	Phase V	Phase V	2
Black	Phase W	FG	⊕
Green / yellow	FG	Phase W	4
		-	5
		-	6

(5) Cables for Connecting Linear Scales: JZSP-CLL□□-□□-E



• JZSP-CLL00-□□-E (for linear scale by Renishaw) Wiring Specifications

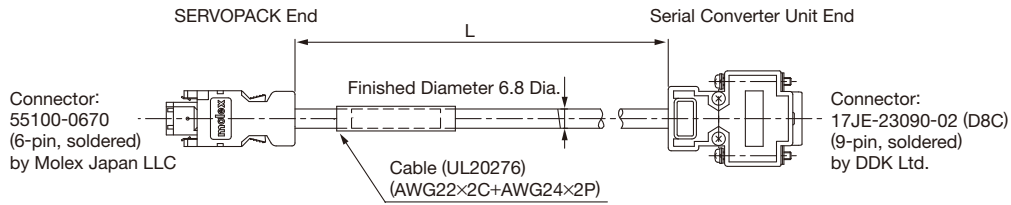
Serial Converter Unit End		Linear Scale End	
Pin No.	Signal	Pin No.	Signal
1	/Cos(V1-)	1	/Cos(V1-)
2	/Sin(V2-)	2	/Sin(V2-)
3	Ref(V0+)	3	Ref(V0+)
4	+5V	4	+5V
5	5Vs	5	5Vs
6	BID	6	BID
7	Vx	7	Vx
8	Vq	8	Vq
9	Cos(V1+)	9	Cos(V1+)
10	Sin(V2+)	10	Sin(V2+)
11	/Ref(V0+)	11	/Ref(V0-)
12	0V	12	0V
13	0Vs	13	0Vs
14	DIR	14	DIR
15	Inner	15	Inner
Case	Shield	Case	Shield

• JZSP-CLL30-□□-E (for linear scale by HEIDENHAIN) Wiring Specifications

Serial Converter Unit End		Linear Scale End	
Pin No.	Signal	Pin No.	Signal
1	Cos(A+)	1	Cos(A+)
2	0V	2	0V
3	Sin(B+)	3	Sin(B+)
4	+5V	4	+5V
5	-	5	-
6	-	6	-
7	/Ref(R-)	7	/Ref(R-)
8	-	8	-
9	/Cos(A-)	9	/Cos(A-)
10	0Vs	10	0Vs
11	/Sin(B-)	11	/Sin(B-)
12	5Vs	12	5Vs
13	-	13	-
14	Ref(R+)	14	Ref(R+)
15	-	15	-
Case	Shield	Case	Shield

Selecting Cables

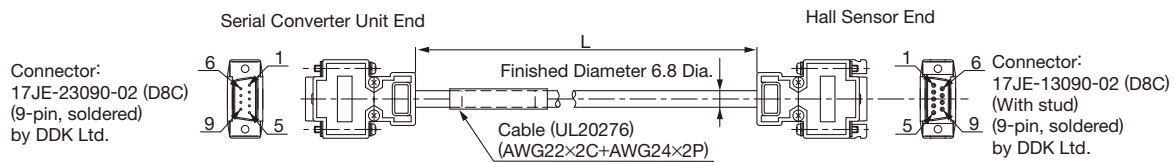
(6) Cables for Connecting Serial Converter Units: JZSP-CLP70-□□-E



• Wiring Specifications

SERVOPACK End			Serial Converter Unit End		
Pin No.	Signal	Wire Color	Pin No.	Signal	Wire Color
1	PG5V	Orange	1	+5V	Red
2	PG0V	Green	5	0V	Black
3	-	-	3	-	-
4	-	-	4	-	-
5	PS	Red/light blue	2	Phase S output	Light blue
6	/PS	Black/light blue	6	Phase /S output	Light blue/white
Shell	Shield	-	Case	Shield	-
			7	-	-
			8	-	-
			9	-	-

(7) Cables for Connecting Hall Sensors: JZSP-CLL10-□□-E



• Wiring Specifications

Serial Converter Unit End		Hall Sensor End	
Pin No.	Signal	Pin No.	Signal
1	+5V	1	+5V
2	Phase U input	2	Phase U input
3	Phase V input	3	Phase V input
4	Phase W input	4	Phase W input
5	0V	5	0V
6	-	6	-
7	-	7	-
8	-	8	-
9	-	9	-
Case	Shield	Case	Shield



Linear Servomotor General Instructions

Serial Converter Unit (Model: JZDP-□00□-□□□-E)

● Characteristics and Specifications

Items		JZDP-D00□-□□□-E	JZDP-G00□-□□□-E
Electrical Characteristics	Power Supply Voltage	+5.0 V±5%, ripple content 5% max.	
	Current Consumption	120 mA Typ. 350 mA max.	
	Signal Resolution	Input two-phase sine wave: 1/256 pitch	Input two-phase sine wave: 1/4096 pitch
	Max. Response Frequency	250 kHz	100 kHz
	Analog Input Signals* (cos, sin, Ref)	Differential input amplitude: 0.4 to 1.2 V Input signal level: 1.5 to 3.5 V	
	Hall Sensor Input Signal	CMOS level	
	Output Signals	Position data, hall sensor information, and alarms	
	Output Method	Serial data transmission	
	Output Circuit	Balanced transceiver (SN75LBC176 or the equivalent) Internal terminal resistance: 120 Ω	
Mechanical Characteristics	Approx. Mass	150 g	
	Vibration Resistance	98 m/s ² max. (10 to 2500 Hz) in three directions	
	Impact Resistance	980 m/s ² , (11 ms) two times in three directions	
Environmental Conditions	Ambient Temperature	0 to 55°C	
	Storage Temperature	-20 to +80°C	
	Humidity	20% to 90% RH (no condensation)	

*: Input a value within the specified range. Otherwise, incorrect position information is output, and the device may be damaged.

● Analog Signal Input Timing

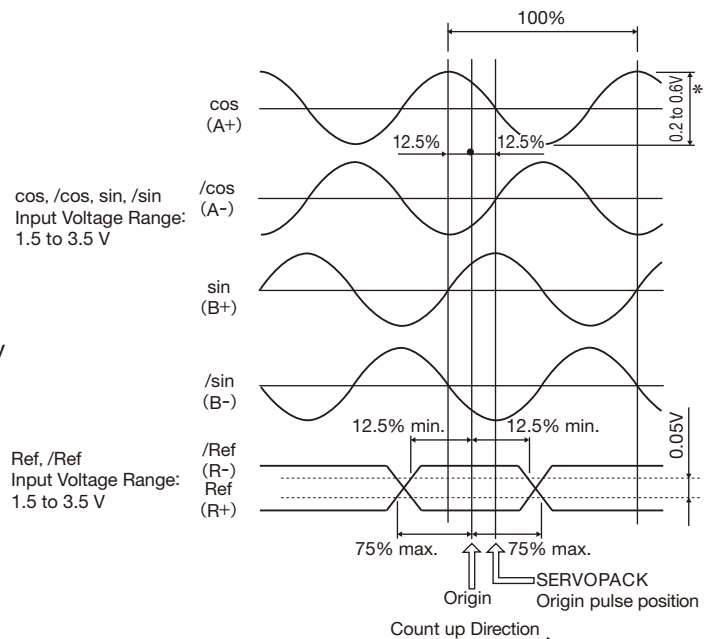
The following figure shows the input timing of the analog signals. When the cos and sin signals are shifted 180 degrees, the differential signals are the /cos and /sin signals.

The specifications of the cos, /cos, sin, and /sin signals are identical except for the phase.

Ref and /Ref signals are input to the converter.

Input the signals by taking into account hysteresis of the receiving circuit so that the signals will satisfy the specifications shown in the figure on the right.

When they are crossed, the output data will be counted up.



*:If the analog signal amplitude declines to about 0.35 V because of differential amplitude, the serial converter outputs an alarm.

IMPORTANT

■ Precautions

- 1 Never perform insulation resistance and withstand voltage tests.
- 2 When analog signals are input to the serial converter unit, noise influence on the analog signals affects the unit's ability to output correct position information. The analog cable must be as short as possible and shielded.
- 3 Do not connect or disconnect the unit while power is being supplied, or the unit may be damaged.
- 4 When using multiple axes, use a shield cable for each axis. Do not use a shield cable for multiple axes.
- 5 When using the serial converter unit with linear encoders other than recommended encoders, be sure to thoroughly evaluate them before use.

Serial Converter Unit (Model: JZDP-□00□-□□□-E)

● Model Designations

JZDP - □00□ - □□□ - E

Serial Converter Unit Model			
Code	Appearance	Applicable Linear Scale	Hall Sensor
D003 G003		Manufactured by HEIDENHAIN Corp.	None
D005 G005		Manufactured by RENISHAW plc.	None
D006 G006		Manufactured by HEIDENHAIN Corp.	Provided
D008 G008		Manufactured by RENISHAW plc.	Provided

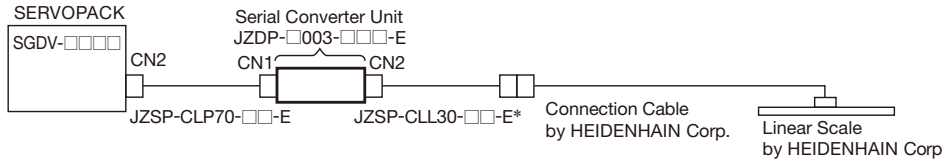
Applicable Linear Servomotor					
Servomotor Model		Symbol	Servomotor Model		Symbol
SGLGW- (Coreless)	30A050C	250	SGLTW- (Iron core, T-type)	20A170A	011
	30A080C	251		20A320A	012
	40A140C	252		20A460A	013
	40A253C	253		35A170A	014
	40A365C	254		35A320A	015
	60A140C	258		35A460A	016
	60A253C	259		35A170H	105
	60A365C	260		35A320H	106
	90A200C	264		50A170H	108
	90A370C	265		50A320H	109
90A535C	266	40A400B	185		
SGLGW- + SGLGM- □-M (Coreless)	40A140C	255	40A600B	186	
	40A253C	256	80A400B	187	
	40A365C	257	80A600B	188	
	60A140C	261	35D170H	193	
	60A253C	262	35D320H	194	
	60A365C	263	50D170H	195	
	20A090A	017	50D320H	196	
20A120A	018	40D400B	197		
35A120A	019	40D600B	198		
35A230A	020	80D400B	199		
50A200B	181	80D600B	200		
50A380B	182				
SGLFW- (Iron core, F-type)	1ZA200B	183			
	1ZA380B	184			
	35D120A	211			
	35D230A	212			
	50D200B	189			
	50D380B	190			
	1ZD200B	191			
1ZD380B	192				

Serial Converter Unit (Model: JZDP-□00□-□□□-E)

● Without Cable for Hall Sensor (For Linear Scale by HEIDENHAIN Corporation)

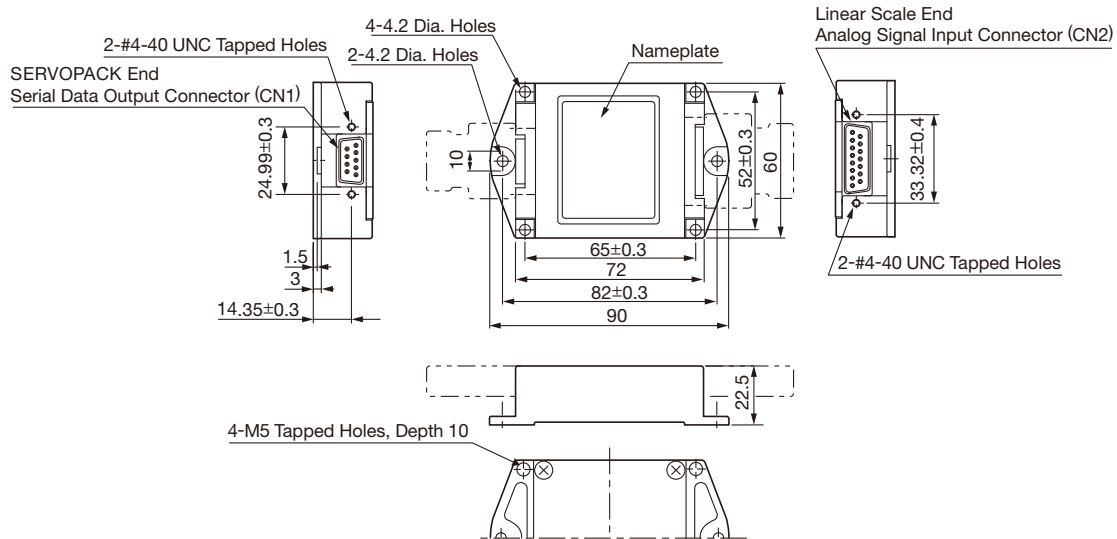
Serial Converter Unit Model: JZDP-□003-□□□-E

(1) Connection Example

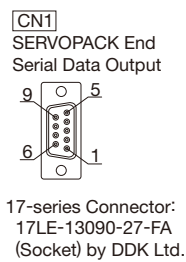


*: When using serial converter unit JZDP-G00□-□□□-E, the maximum cable length should be 3 m.

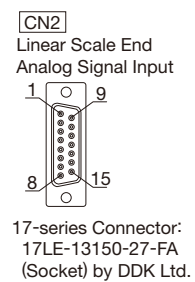
(2) External Dimensions (Units: mm)



Pin No.	Signal
1	+5V
2	Phase S output
3	Not used
4	Not used
5	0V
6	Phase /S output
7	Not used
8	Not used
9	Not used
Case	Shield



Pin No.	Signal
1	cos input (A+)
2	0V
3	sin input (B+)
4	+5V
5	Not used
6	Not used
7	/Ref input (R-)
8	Not used
9	/cos input (A-)
10	0V sensor
11	/sin input (B-)
12	5V sensor
13	Not used
14	Ref input (R+)
15	Not used
Case	Shield



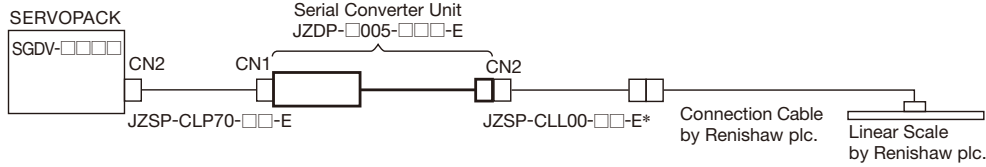
- Notes: 1 Do not use the unused pins.
 2 Contact HEIDENHAIN Corporation for details of connection cables (analog 1 Vp-p output, D-sub 15-pin, male) by HEIDENHAIN Corporation.
 3 Use the same terminal for 5-V sensor and phase-W input.
 4 Phase U, V, and W input are internally pulled up at 10 kΩ.

Serial Converter Unit (Model: JZDP-□00□-□□□-E)

● Without Cable for Hall Sensor (For Linear Scale by Renishaw plc.)

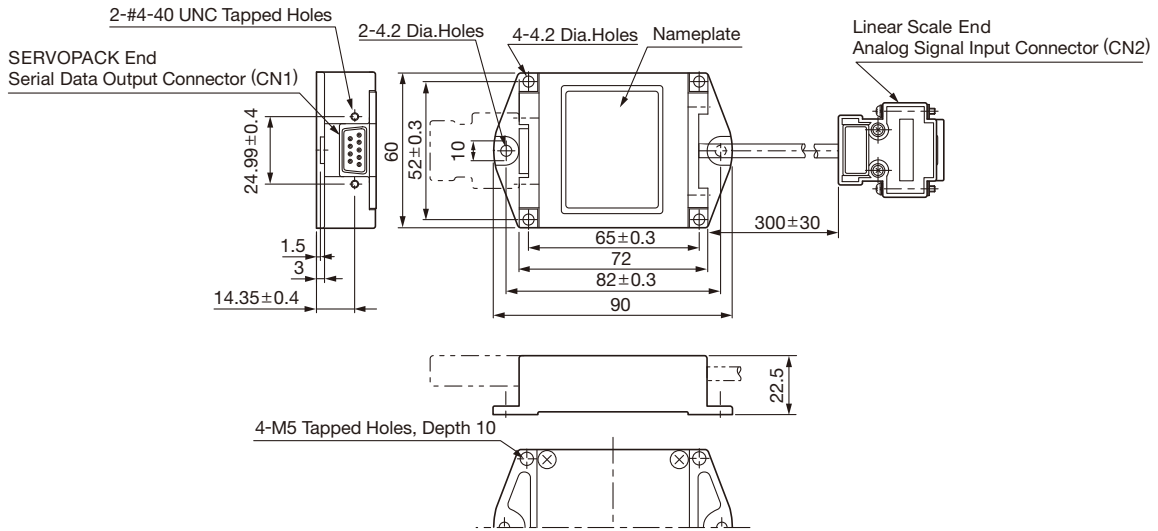
Serial Converter Unit Model: JZDP-□005-□□□-E

(1) Connection Example



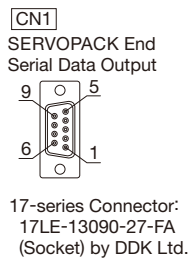
*: When using serial converter unit JZDP-G00□-□□□-E, the maximum cable length should be 3 m.

(2) External Dimensions (Units: mm)

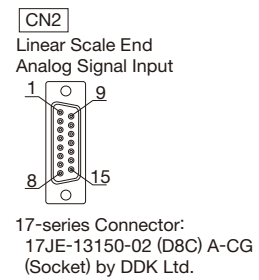


Pin No.	Signal
1	+5V
2	Phase S output
3	Not used
4	Not used
5	0V
6	Phase /S output
7	Not used
8	Not used
9	Not used
Case	Shield

SERVOPACK does not have the function to process Vq signals.



Pin No.	Signal
1	cos input (V1-)
2	sin input (V2-)
3	Ref input (V0+)
4	+5V
5	5Vs
6	Not used
7	Not used
8	Not used
9	cos input (V1+)
10	sin input (V2+)
11	/Ref input (V0-)
12	0V
13	0Vs
14	Not used
15	inner (0V)
Case	Shield



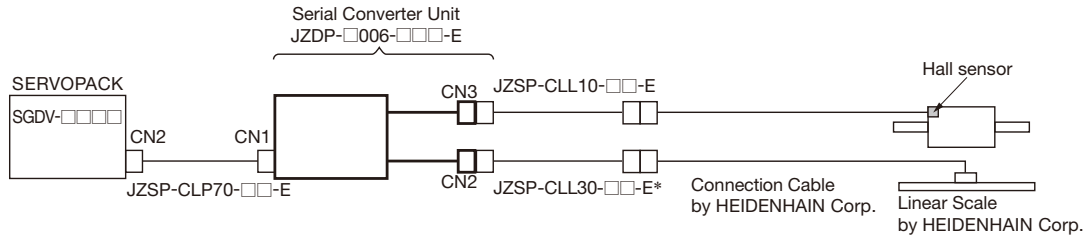
- Notes: 1 Do not use the unused pins.
2 Contact Renishaw plc. for details of connection cables (analog 1 Vp-p output, D-sub 15-pin, male) by Renishaw plc. However, the BID and DIR signals are not connected.
3 Use the linear scale-end connector to change the zero point specifications of the linear scale.

Serial Converter Unit (Model: JZDP-□00□-□□□-E)

● With Cable for Hall Sensor (For Linear Scale by HEIDENHAIN Corporation)

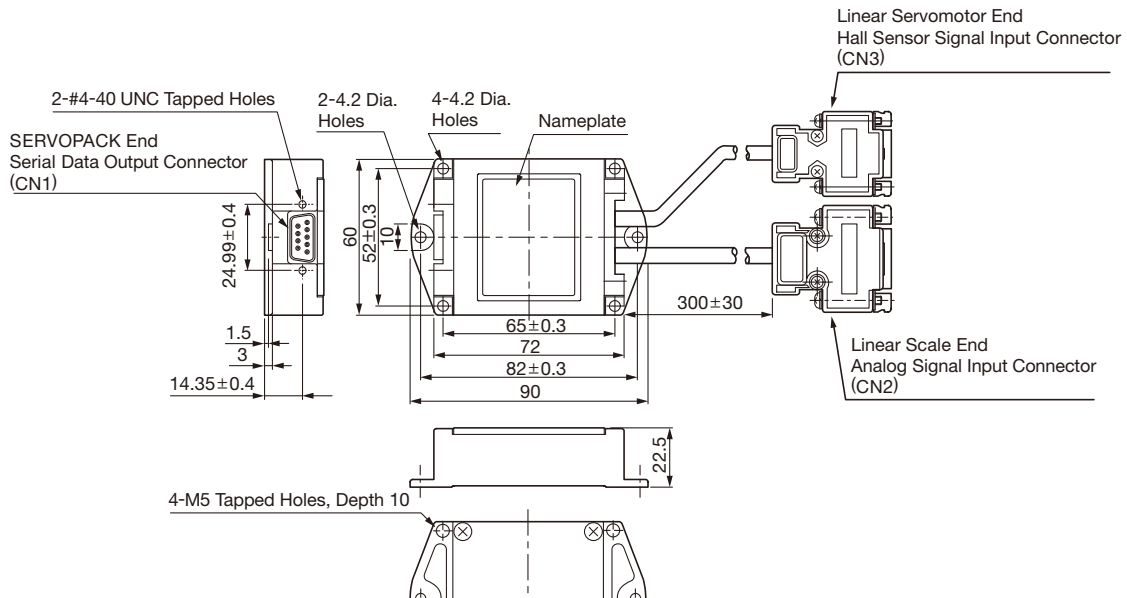
Serial Converter Unit Model: JZDP-□006-□□□-E

(1) Connection Example

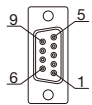


*: When using serial converter unit JZDP-G00□-□□□-E, the maximum cable length should be 3 m.

(2) External Dimensions (Units: mm)

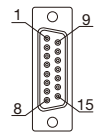


CN1
SERVOPACK End
Serial Data Output



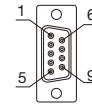
17-series Connector:
17LE-13090-27-FA
(Socket) by DDK Ltd.

CN2
Linear Scale End
Analog Signal Input



17-series Connector:
17JE-13150-02 (D8C) A-CG
(Socket) by DDK Ltd.

CN3
Linear Servomotor End
Hall Sensor Signal Input



17-series Connector:
17JE-13090-02 (D8C) A-CG
by DDK Ltd.

Pin No.	Signal
1	+5V
2	Phase S output
3	Not used
4	Not used
5	0V
6	Phase /S output
7	Not used
8	Not used
9	Not used
Case	Shield

Pin No.	Signal
1	cos input (A+)
2	0V
3	sin input (B+)
4	+5V
5	Not used
6	Not used
7	/Ref input (R-)
8	Not used
9	/cos input (A-)
10	0V sensor
11	/sin input (B-)
12	5V sensor
13	Not used
14	Ref input (R+)
15	Not used
Case	Shield

Pin No.	Signal
1	+5V
2	Phase U input
3	Phase V input
4	Phase W input
5	0V
6	Not used
7	Not used
8	Not used
9	Not used
Case	Shield

Notes: 1 Do not use the unused pins.

2 Contact HEIDENHAIN Corporation for details of connection cables (analog 1 Vp-p output, D-sub 15-pin, male) by HEIDENHAIN Corporation.

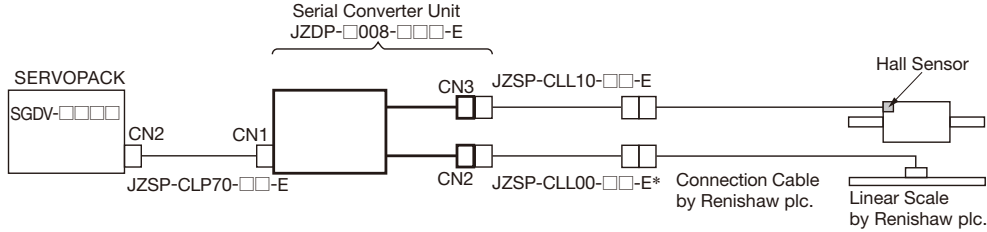
3 Phase U, V, and W input are internally pulled up at 10 kΩ.

Serial Converter Unit (Model: JZDP-□00□-□□□-E)

● With Cable for Hall Sensor (For Linear Scale by Renishaw plc.)

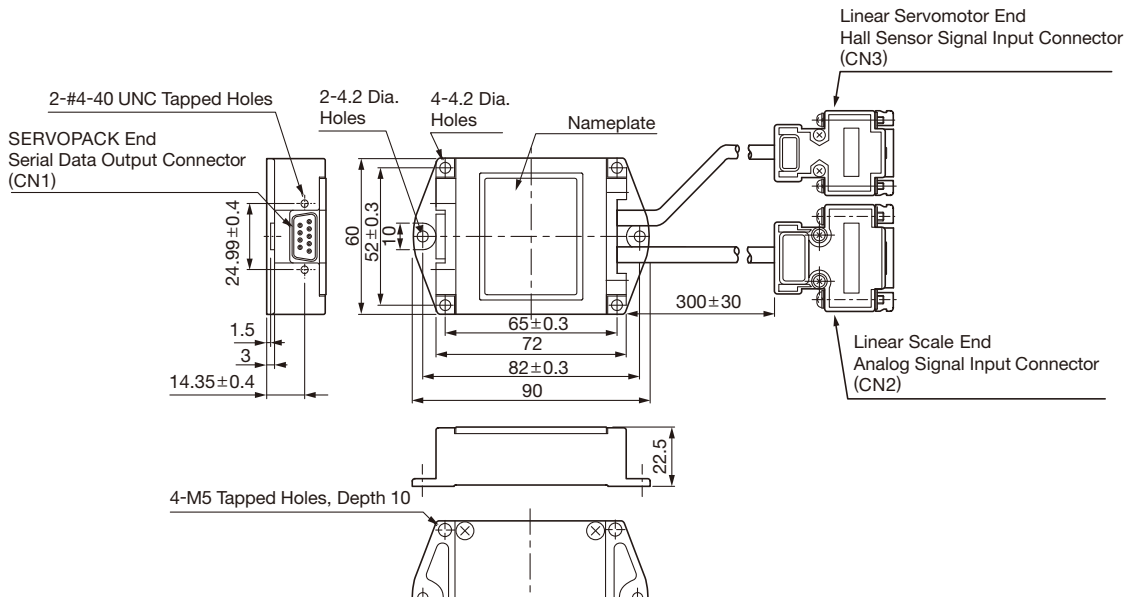
Serial Converter Unit Model: JZDP-□008-□□□-E

(1) Connection Example

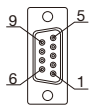


*: When using serial converter unit JZDP-G00□-□□□-E, the maximum cable length should be 3 m.

(2) External Dimensions (Units: mm)

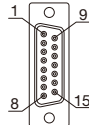


CN1
SERVOPACK End
Serial Data Output



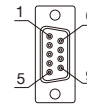
17-series Connector:
17LE-13090-27-FA
(Socket) by DDK Ltd.

CN2
Linear Scale End
Analog Signal Input



17-series Connector:
17JE-13150-02 (D8C) A-CG
(Socket) by DDK Ltd.

CN3
Linear Servomotor End
Hall Sensor Signal Input



17-series Connector:
17JE-13090-02 (D8C) A-CG
by DDK Ltd.

Pin No.	Signal
1	+5V
2	Phase S output
3	Not used
4	Not used
5	0V
6	Phase /S output
7	Not used
8	Not used
9	Not used
Case	Shield

Pin No.	Signal
1	/cos input (V1-)
2	/sin input (V2-)
3	Ref input (V0+)
4	+5V
5	5Vs
6	Not used
7	Not used
8	Not used
9	cos input (V1+)
10	sin input (V2+)
11	/Ref input (V0-)
12	0 V
13	0 Vs
14	Not used
15	Inner
Case	Shield

Pin No.	Signal
1	+5V
2	Phase U input
3	Phase V input
4	Phase W input
5	0V
6	Not used
7	Not used
8	Not used
9	Not used
Case	Shield

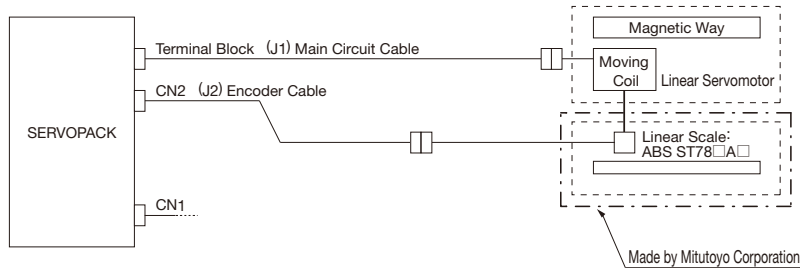
Notes: 1 Do not use the unused pins.
 2 Contact Renishaw plc. for details of connection cables (analog 1 Vp-p output, D-sub 15-pin, male) by Renishaw plc. However, the BID and DIR signals are not connected.
 3 Use the linear scale-end connector to change the zero point specifications of the linear scale.
 4 Phase U, V, and W input are internally pulled up at 10 kΩ.

Linear Scales for Yaskawa's Serial Interface

● ST78 □□

See page M-17 for the list of recommended linear scales.

(1) Connection Example

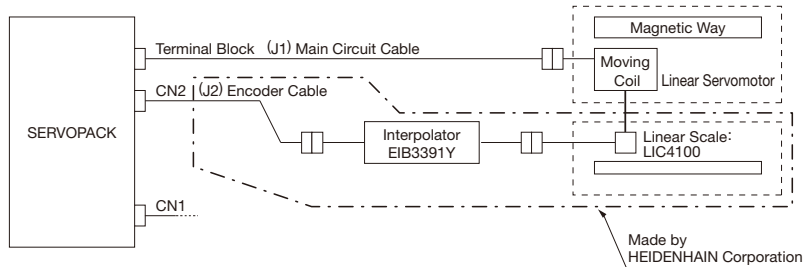


(2) Encoder Cables

Name	Length (L)	Order No.	Specifications
Cables for Connecting Serial Converter Units	1 m	JZSP-CLP70-01-E	
	3 m	JZSP-CLP70-03-E	
	5 m	JZSP-CLP70-05-E	
	10 m	JZSP-CLP70-10-E	
	15 m	JZSP-CLP70-15-E	
	20 m	JZSP-CLP70-20-E	

● LIC4100 Series + EIB3391Y

(1) Connection Example



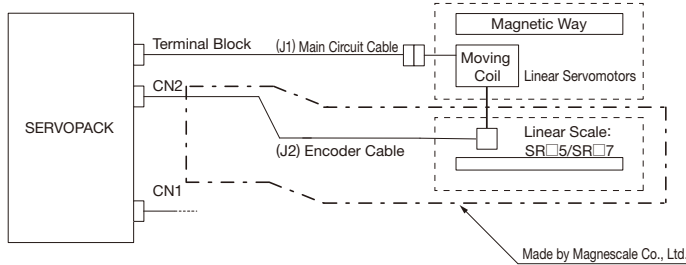
(2) Encoder Cables

To connect a SERVOPACK and a linear scale, use a cable by HEIDENHAIN.
For details, contact HEIDENHAIN.

Linear Scales for Yaskawa's Serial Interface

● **SR-87 / 77 / 85 / 75**

(1) Connection Example

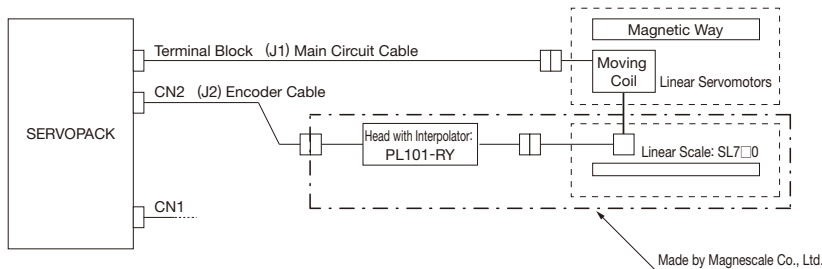


(2) Encoder Cables

To connect a SERVOPACK and a linear scale, use a cable (Model no.: CH33-xx□□G) for SR□5 or SR□7 linear scales by Magnescale Co., Ltd. This cable has connectors designed for use with Yaskawa products.

● **SL7□0+PL101-RY**

(1) Connection Example

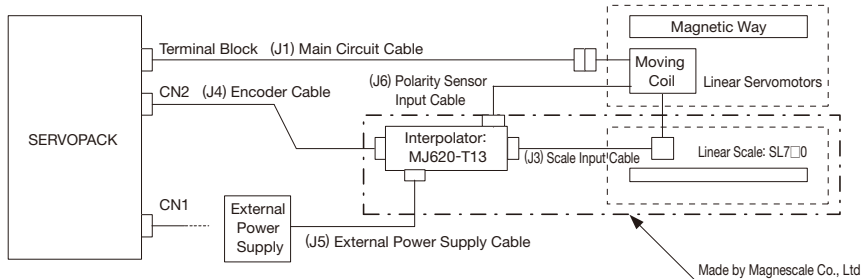


(2) Encoder Cables

Name	Length (L)	Order No.		Specifications
		Standard Type	Flexible Type	
Cable with Connectors (For Incremental and Absolute Encoder)	3 m	JZSP-CMP00-03-E	JZSP-CMP10-03-E	
	5 m	JZSP-CMP00-05-E	JZSP-CMP10-05-E	
	10 m	JZSP-CMP00-10-E	JZSP-CMP10-10-E	
	15 m	JZSP-CMP00-15-E	JZSP-CMP10-15-E	
	20 m	JZSP-CMP00-20-E	JZSP-CMP10-20-E	

● **SL7□0+PL101+MJ620-T13**

(1) Connection Example



IMPORTANT

A 5-VDC power supply is required for the MJ620-T13. A 5-VDC power supply is not included. For the current consumption or other information on the MJ620-T13, refer to the MJ620-T13 specification sheets provided by Magnescale Co., Ltd.

(2) Scale Cables

Use the cable that has been provided with the MJ620-T13. For details, refer to the MJ620-T13 specification sheets provided by Magnescale Co., Ltd.

Linear Scales for Yaskawa's Serial Interface

(3) Encoder Cables

An encoder cable is not included. Use a shielded cable. For information on pin layouts, refer to the following tables.

●SERVOPACK End: CN2

Plug Connector: 55100-0670 (Molex Japan LLC)

Order No.: JZSP-CMP9-1-E (SERVOPACK-end connector kit)

Pin No.	Signal	Function
1	—	—
2	PG 0V	Encoder power supply: 0 V
3	—	—
4	—	—
5	PS	Serial data
6	/PS	
Shell	Shield	—

●MJ620-T13 End

For details, refer to the MJ620-T13 specification sheets provided by Magnescale Co., Ltd.


Receptacle: PCR-E20LMD+ (Honda Tsushin Kogyo Co., Ltd.)

Plug: PCR-E20FS+ (Honda Tsushin Kogyo Co., Ltd.)

Shell: PCS-E20L□ (Honda Tsushin Kogyo Co., Ltd.)

Pin No.	Signal	Function	Pin No.	Signal	Function
1	Do not use.	—	12	0V	0V
2	Do not use.	—	13	Do not use.	—
3	Do not use.	—	14	0V	0V
4	Do not use.	—	15	Do not use.	—
5	SD	Serial data	16	0V	0V
6	/SD		17	Do not use.	—
7	Do not use.	—	18	Do not use.	—
8	Do not use.	—	19	Do not use.	—
9	Do not use.	—	20	Do not use.	—
10	Do not use.	—	Shell	Shield	—
11	Do not use.	—			

●Cables

Name	Length (L)	Order No.		Specifications
		Standard Type	Flexible Type	
Cables	5 m	JZSP-CMP09-05-E	JZSP-CSP39-05-E	
	10 m	JZSP-CMP09-10-E	JZSP-CSP39-10-E	
	15 m	JZSP-CMP09-15-E	JZSP-CSP39-15-E	
	20 m	JZSP-CMP09-20-E	JZSP-CSP39-20-E	

Note: We recommend using flexible cables.

●External Power Supply Cables

An external power supply cable is not included. For information on pin layouts, refer to the following tables.

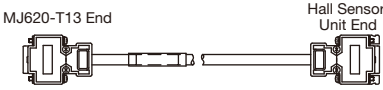
For details, refer to the MJ620-T13 specification sheets provided by Magnescale Co., Ltd.

Connector header: MC1.5/2-GF-3.81 (Phoenix Contact GmbH and Co. KG)

Connector plug component: MC1.5/2-STF-3.81 (Phoenix Contact GmbH and Co. KG)

Pin No.	Signal	Function
1	+5V	+5V
2	0V	0V

(4) Polarity Sensor Input Cables (YASKAWA CONTROLS CO., LTD.)

Name	Length (L)	Order No.	Specifications
Cables for Connecting Hall Sensors	1 m	JZSP-CLL10-01-E	
	3 m	JZSP-CLL10-03-E	
	5 m	JZSP-CLL10-05-E	
	10 m	JZSP-CLL10-10-E	
	15 m	JZSP-CLL10-15-E	

Flexible Cables

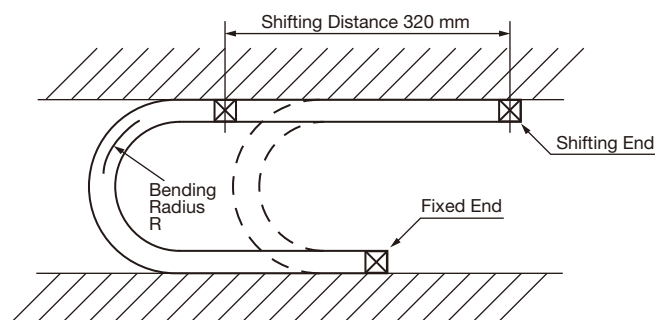
● Life of Flexible Cable

The flexible cable supports 10,000,000 or more operations of bending life with the recommended bending radius R. The following table shows the recommended bending radius R of each cable.

Cable Type	Model	Recommended Bending Radius mm
Linear Servomotor Main Circuit Cables	JZSP-CLN11-□□-E	35
	JZSP-CLN21-□□-E	38
	JZSP-CLN39-□□-E	50
	JZSP-CLN14-□□-E	35
Cables for Connecting Linear Scales	JZSP-CLL00-□□-E	57
	JZSP-CLL30-□□-E	
Cables for Connecting Hall Sensors	JZSP-CLL10-□□-E	46
Cables for Connecting Serial Converter Units	JZSP-CLP70-□□-E	46
Cable with Connectors (For Incremental and Absolute Encoder)	JZSP-CMP10-□□-E	90
Cables	JZSP-CSP39-□□-E	90

● Conditions

- 1 Repeat moving one end of the cable forward and backward for 320 mm with using the test equipment shown in the following figure.
- 2 Connect the lead wires in parallel, and count the number of cable return motion times until a lead wire is disconnected. Note that one reciprocating is counted as one test.



Notes: 1 The life of flexible cable differs largely depending on the amount of mechanical shocks, mounting to the cable, and fixing methods. The life of flexible cable is limited under the specified conditions.

2 The life of flexible cable indicates the number of bending times in which lead wires are electrically conducted and by which no cracks and damages that affects the performance of cable sheathing are caused. Disconnecting the shield wire is not taken into account.

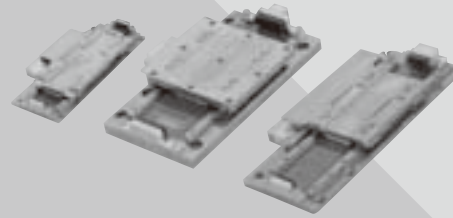
● Wiring Precautions

Even if the recommended bending radius R is respected in the mechanical design, incorrect wiring may cause early disconnection. Observe the following precautions when wiring.

- (1) Cable twisting
Straighten the flexible cables before wiring.
Twisted cables cause early disconnection. Check the indication on the cable surface to make sure that the cable is not twisted.
- (2) Fixing method
Do not fix the moving points of the flexible cable. Stress on the fixed points may cause early disconnection. Fix the cable at the minimum number of points.
- (3) Cable length
If the cable length is too long, it may cause the cable's sagging. Besides the cable length is too short, it may cause the excessive tension on the fixed points that will cause early disconnection. Use a flexible cable with the optimum length.
- (4) Interference between cables
Avoid interference between cables.
Interference limits the motion of flexible cable, which causes early disconnection. Keep enough distance between cables, or provide a partition when wiring.

Linear Sliders

Σ -Trac- μ



Model Designations

S **G** **T** **M** **M** **03** - **065** **A** **H** **20** **A**

Σ -Trac Series Linear Slider 1st digit 2nd digit 3rd+4th digits 5th+6th+7th digits 8th digit 9th digit 10th+11th digits 12th digit 13th digit

1st digit

Code	Specifications
M	Moving Magnet Type

2nd digit

Code	Specifications
M	Integrally Molded Armature Type

3rd+4th digits Peak Force

Code	Specifications
03	25 N
01	10 N

5th+6th+7th digits Effective Stroke

Code	Specifications
010	10 mm
025	25 mm
030	30 mm
065	65 mm

8th digit Linear Scale Output Form

Code	Specifications
A	Analog output 1 Vp-p

9th digit Linear Scale Manufacturer

Code	Specifications
H	HEIDENHAIN Corporation
M	MicroE International Inc.

10th+11th digits Linear Scale Resolution

Code	Specifications
20	20 μ m
04	4 μ m

12th digit Design Revision Order
A, B, C

13th digit Options

Code	Specifications
Blank	Without Hall Sensor
P	With hall sensor

Features

- Ultra-flat profile reduces floorspace requirements
- For applications requiring short strokes (10 mm to 65 mm)
- Vibration-free transmission device enables high-precision positioning with a repetitive positioning accuracy of $\pm 0.5 \mu\text{m}$ max
- Locations of armature coils on fixed side of the stationary member reduce effects of heat on table or workpiece

Application Examples

- Semiconductor mounters
- Equipment for biomedical
- Optical testing devices

Model Classification

● Force

SERVOPACK Model SGD-		Σ -Trac- μ Series Linear Sliders						
Single-phase 100 VAC	Three-phase 200 VAC	Model	Force	10 N	20 N	30 N	Rated force	Peak force
R70F	R70A	SGTMM01						
R90F	R90A	SGTMM03						

● Stroke Length

Model	Stroke Length	50 mm	100 mm	150 mm	200 mm
SGTMM01	● 10 mm ● 30 mm				
SGTMM03	● 25 mm ● 65 mm				

SGTMM Linear Sliders

● Ratings and Specifications

Time Rating: Continuous

Insulation Resistance: 500 VDC, 10 MΩ min.

Ambient Temperature: 0°C to 40°C

Excitation: Permanent magnet

Withstand Voltage: 1500 VAC for one minute

Enclosure: Self-cooled

Ambient Humidity: 20% to 80% (no condensation)

Allowable Winding Temperature: 130°C (Thermal class B)

Vibration Resistance: 24.5 m/s²

Shock Resistance: 294 m/s², 2 times

Linear Slider Model	SGTMM01-010AM20A	SGTMM01-030AM20A	SGTMM03-025AH20A/ 025AH20AP	SGTMM03-025AH04AP	SGTMM03-065AH20A/ 065AH20AP	SGTMM03-065AH04AP
Applicable SERVOPACK Model	SGDV-R70F, R70A		SGDV-R90F, R90A			
Applicable Serial Converter Unit Model	JZDP-□003-242-E		JZDP-□00□-221-E		JZDP-□00□-220-E	
Maximum Speed	1.5		1.0		1.5	
Rated Force	3.5	3.5	7	7	7	7
Peak Force	10	10	25	25	25	25
Force Constant	9	9	13.2	13.2	12.3	12.3
Motor Constant	1.78	1.26	2.29	2.29	1.58	1.58
Maximum Payload*1	1	1	3	3	3	3
Effective Stroke	10	30	25	25	65	65
Resolution	0.078 (20 μm/256)*2		0.016 (4 μm/256)*2		0.078 (20 μm/256)*2	
	0.0049 (20 μm/4096)*3		0.00098 (4 μm/4096)*3		0.0049 (20 μm/4096)*3	
Movable Member Mass	0.1	0.1	0.223/0.223	0.33	0.19/0.24	0.30
Total Mass (excluding cables)	0.31	0.35	0.65/0.65	0.72	0.64/0.71	0.75
Repeatability*4	±0.5		±0.5		±0.5	

*1: Values obtained when the acceleration is 4.9 m/s².

*2: The value applies when serial converter unit JZDP-D00□-□□□-E is used.

*3: The value applies when serial converter unit JZDP-G00□-□□□-E is used.

*4: Values obtained when the ambient temperature is constant.

● Performance Curves

● Force - Speed

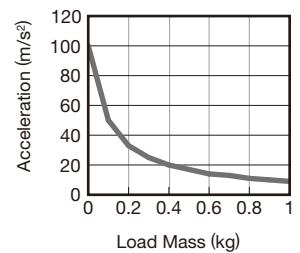
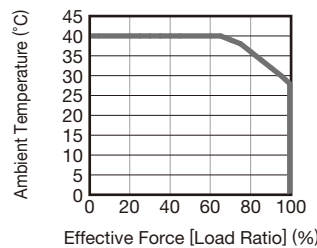
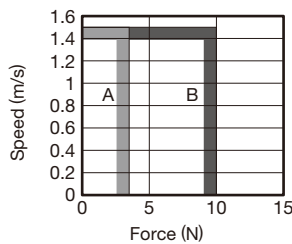
● Effective Force - Ambient Temperature

● Load Mass - Acceleration

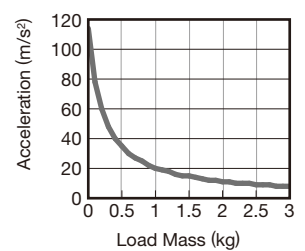
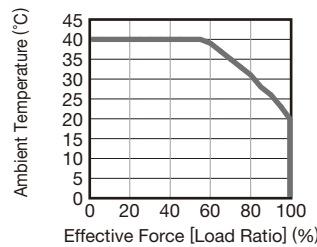
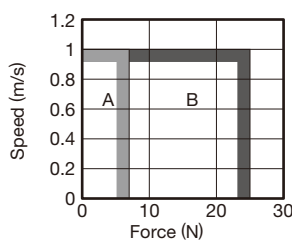
A: Continuous Duty Zone
B: Intermittent Duty Zone

When the linear scale temperature is 50°C or less
— Ambient temperature

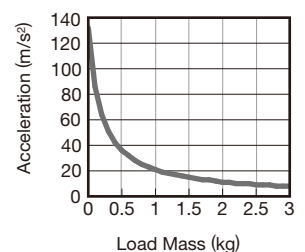
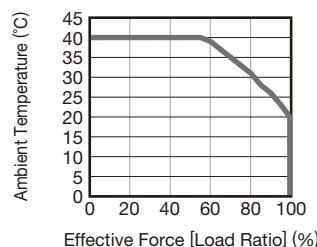
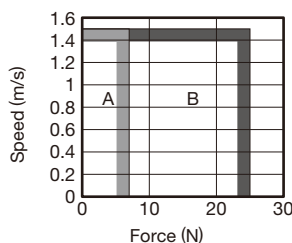
(1) SGTMM01-010, -030



(2) SGTMM03-025



(3) SGTMM03-065

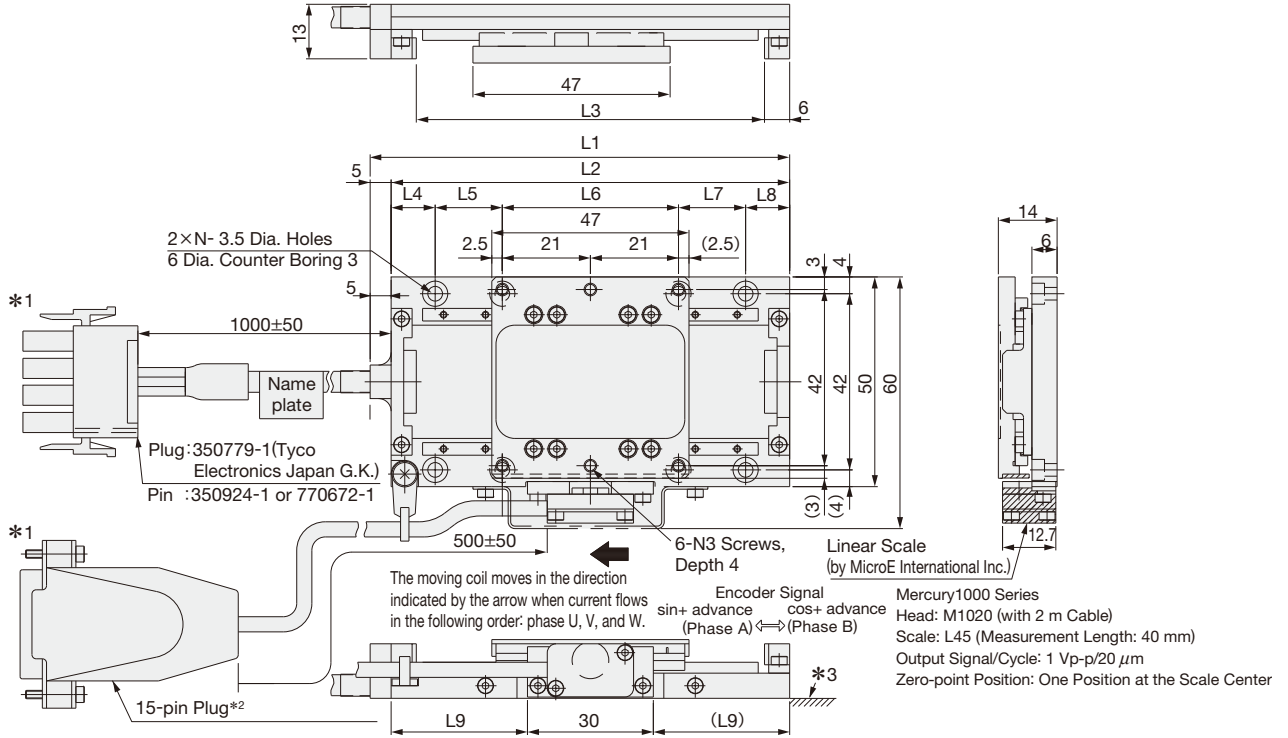


Note: When the effective force is within the rated force, the servomotor can be used within the intermittent duty zone.

SGTMM Linear Sliders

● External Dimensions (Units: mm)

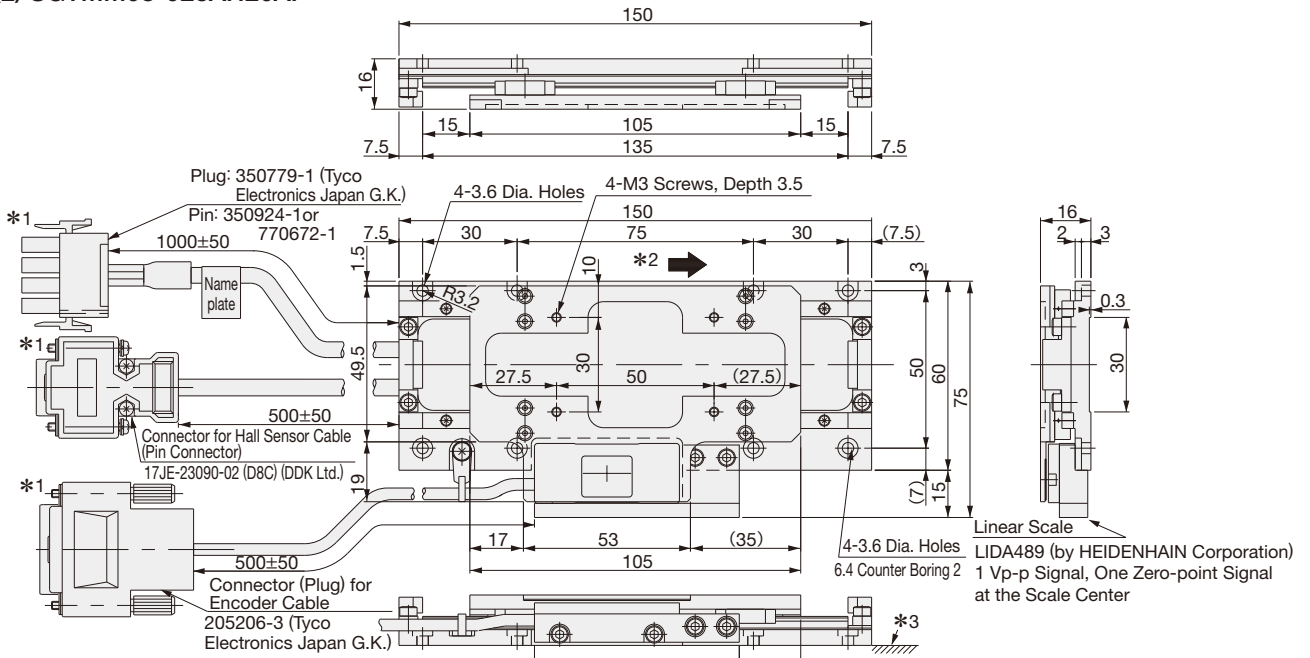
(1) SGTMM01-010AM20A, -030AM20A



- *1: See the next page for the connector specifications.
- *2: A signal converter cable (JZSP-CLL40) is required between this connector and a cable for connecting the linear scale.
- *3: When installing the linear slider, the surface should be flat with a maximum discrepancy of 0.01 mm (reference value) or an equivalent.

Linear Slider Model	L1	L2	L3	L4	L5	L6	L7	L8	L9	N
SGTMM01-	mm	mm	mm	mm	mm	mm	mm	mm	mm	
010AM20A	80	75	63	14	42	8	—	11	22.5	3
030AM20A	100	95	83	10.5	16	42	16	10.5	32.5	4

(2) SGTMM03-025AH20AP

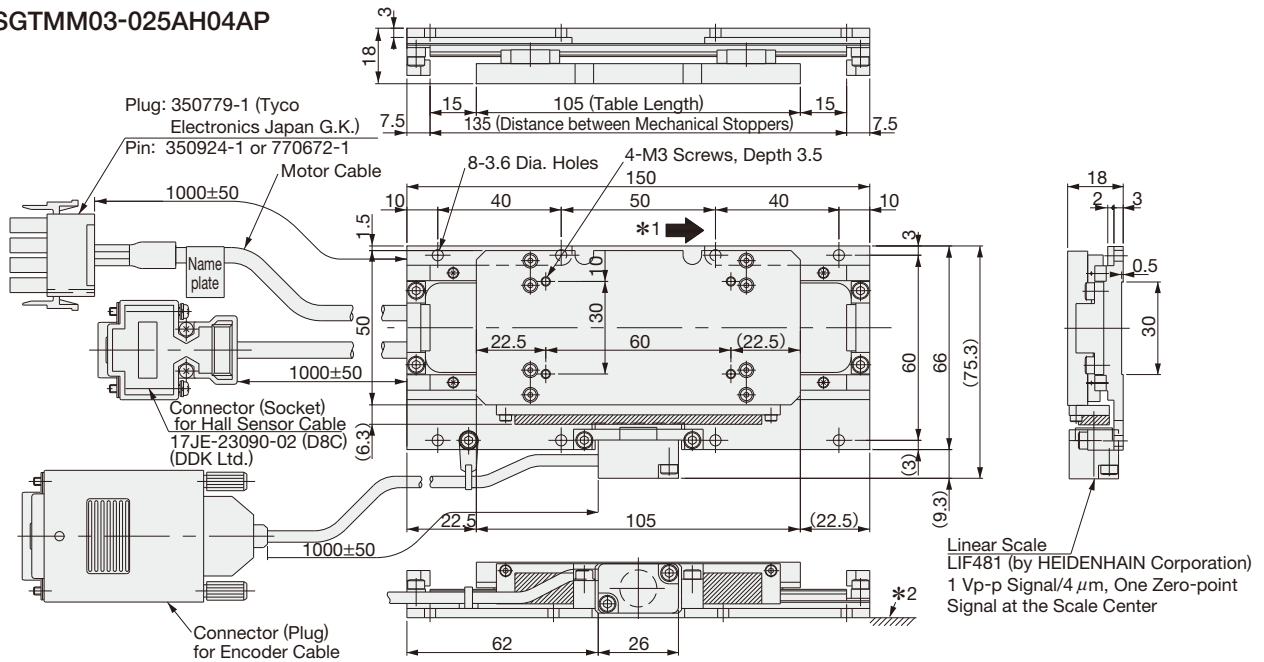


- *1: See the next page for the connector specifications.
- *2: The moving coil moves in the direction indicated by the arrow when current flows in the following order: phase U, V, and W.
- *3: When installing the linear slider, the surface should be flat with a maximum discrepancy of 0.02 mm (reference value) or an equivalent.

SGTMM Linear Sliders

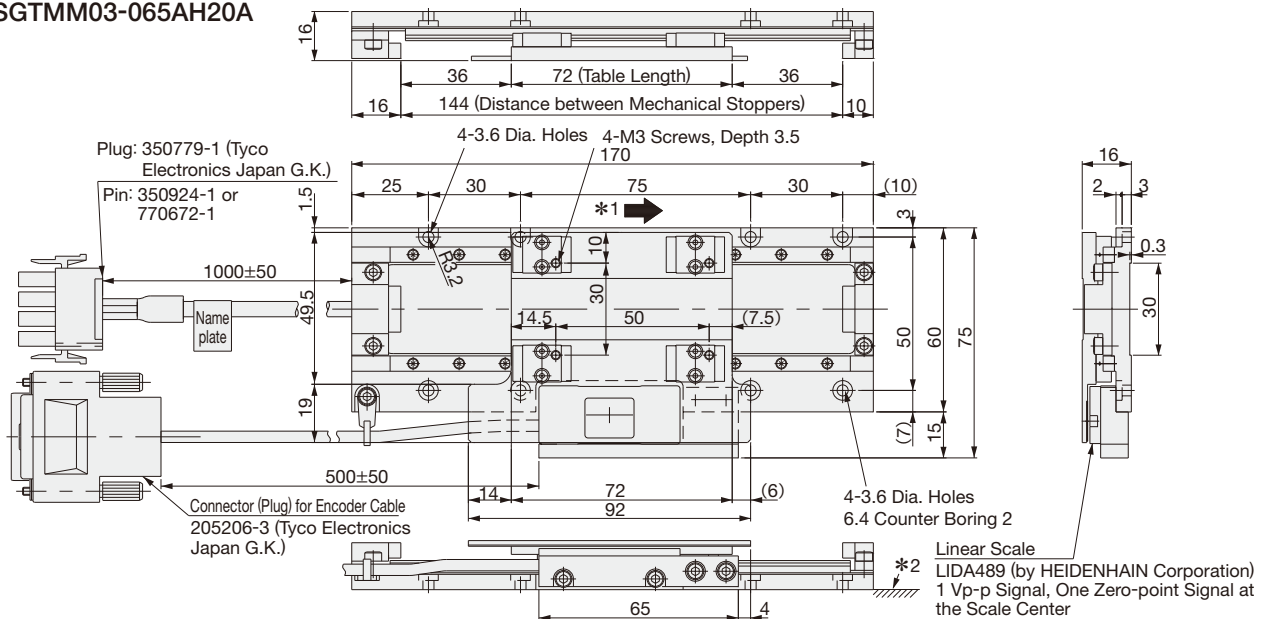
External Dimensions (Units: mm)

(3) SGTMM03-025AH04AP



- *1: The moving coil moves in the direction indicated by the arrow when current flows in the following order: phase U, V, and W.
- *2: When installing the linear slider, the surface should be flat with a maximum discrepancy of 0.02 mm (reference value) or an equivalent.

(4) SGTMM03-065AH20A



- *1: The moving coil moves in the direction indicated by the arrow when current flows in the following order: phase U, V, and W.
- *2: When installing the linear slider, the surface should be flat with a maximum discrepancy of 0.02 mm (reference value) or an equivalent.

Connector Specifications for the Σ-Trac-μ Series of Linear Sliders (All Models)

For SGTMM01 Linear Sliders

Pin No.	Name	Lead Color
1	Phase U	Red
2	Phase V	White
3	Phase W	Blue
4	FG	Green

For Encoder Cable

Pin No.	Signal	Pin No.	Signal
1	IW-	9	N/C
2	IW+	10	N/C
3	Test	11	N/C
4	Transmit	12	+5 V
5	Receive	13	GND
6	Reset	14	Cos-
7	Cos+	15	Sin-
8	Sin+		

For SGTMM03 Linear Sliders

Pin No.	Name	Lead Color
1	Phase U	Red
2	Phase V	White
3	Phase W	Blue
4	FG	Green

For Encoder Cable

Pin No.	Signal	Pin No.	Signal
1	Cos output (A+)	9	/Cos output (A-)
2	0 V	10	0 V sensor
3	Sin output (B+)	11	/Sin output (B-)
4	+5 V	12	5 V sensor
5	Not used	13	Not used
6	Not used	14	/Ref (R+)
7	/Ref (R-)	15	Not used
8	Not used	Case	Shield

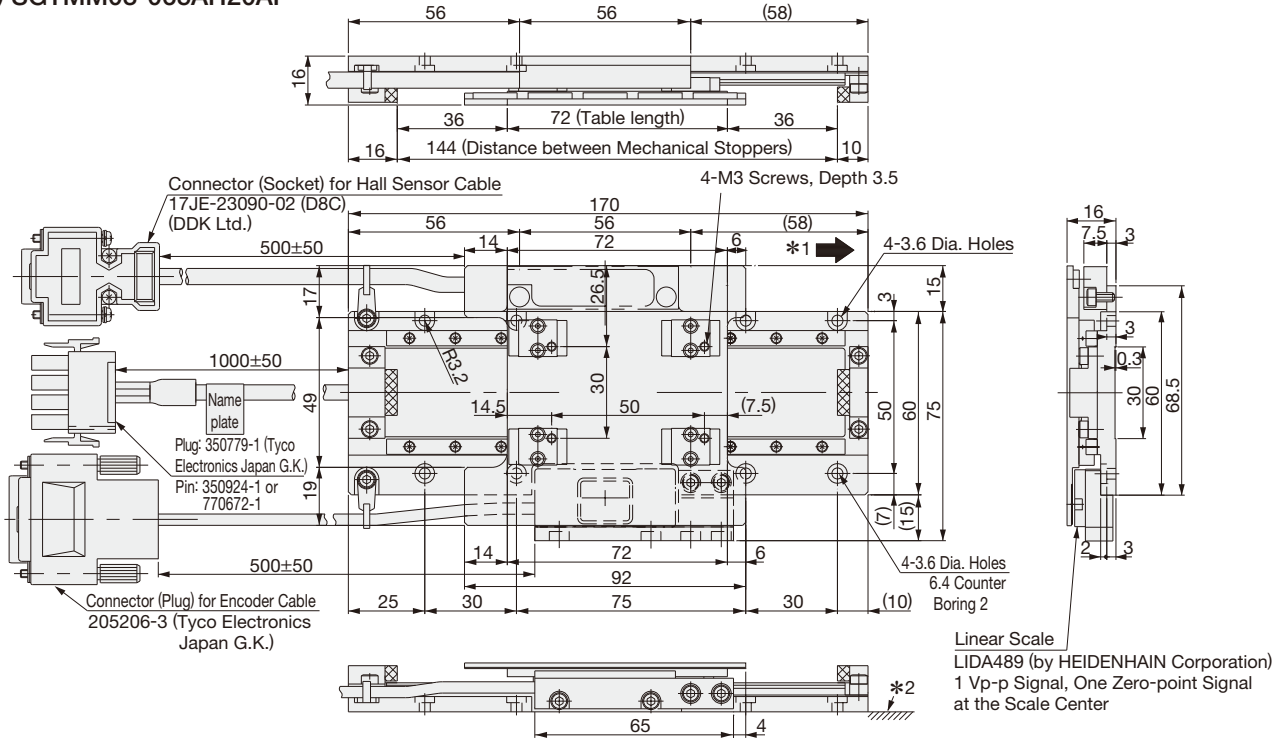
For Hall Sensor Cable

Pin No.	Signal
1	+5V (power supply)
2	Phase-U output
3	Phase-V output
4	Phase-W output
5	0V (power supply)
6	Not used
7	Not used
8	Not used
9	Not used

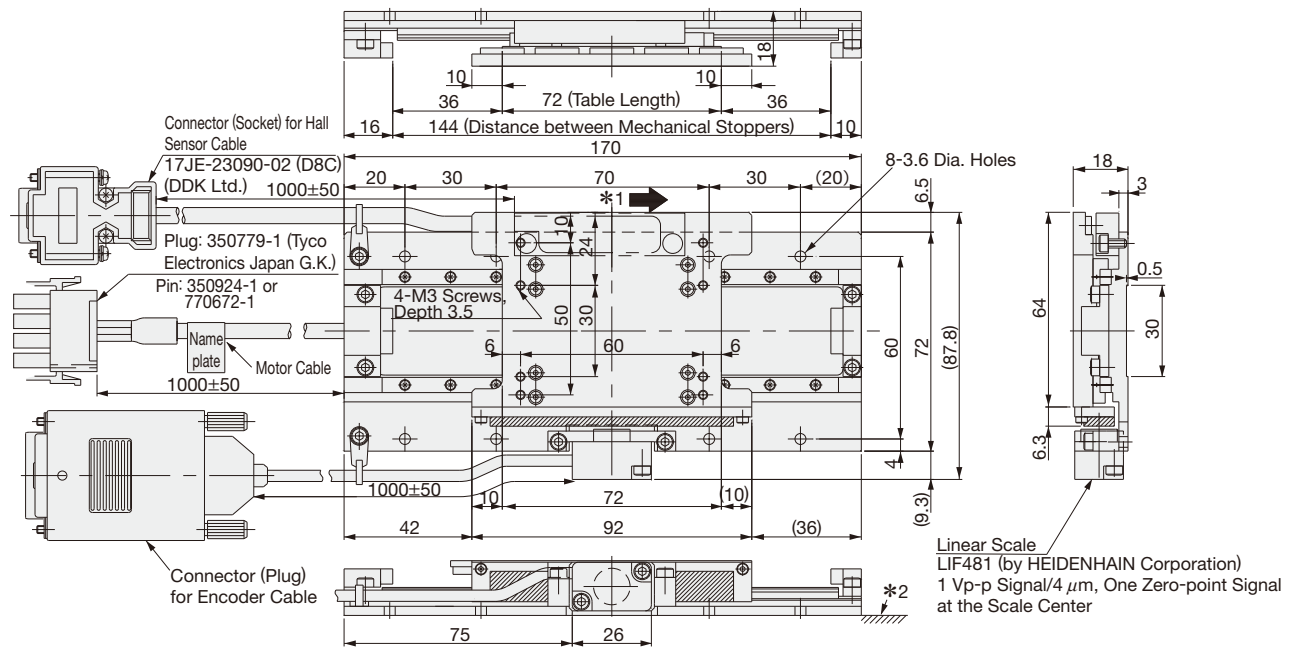
SGTMM Linear Sliders

● **External Dimensions (Units: mm)**

(5) SGTMM03-065AH20AP

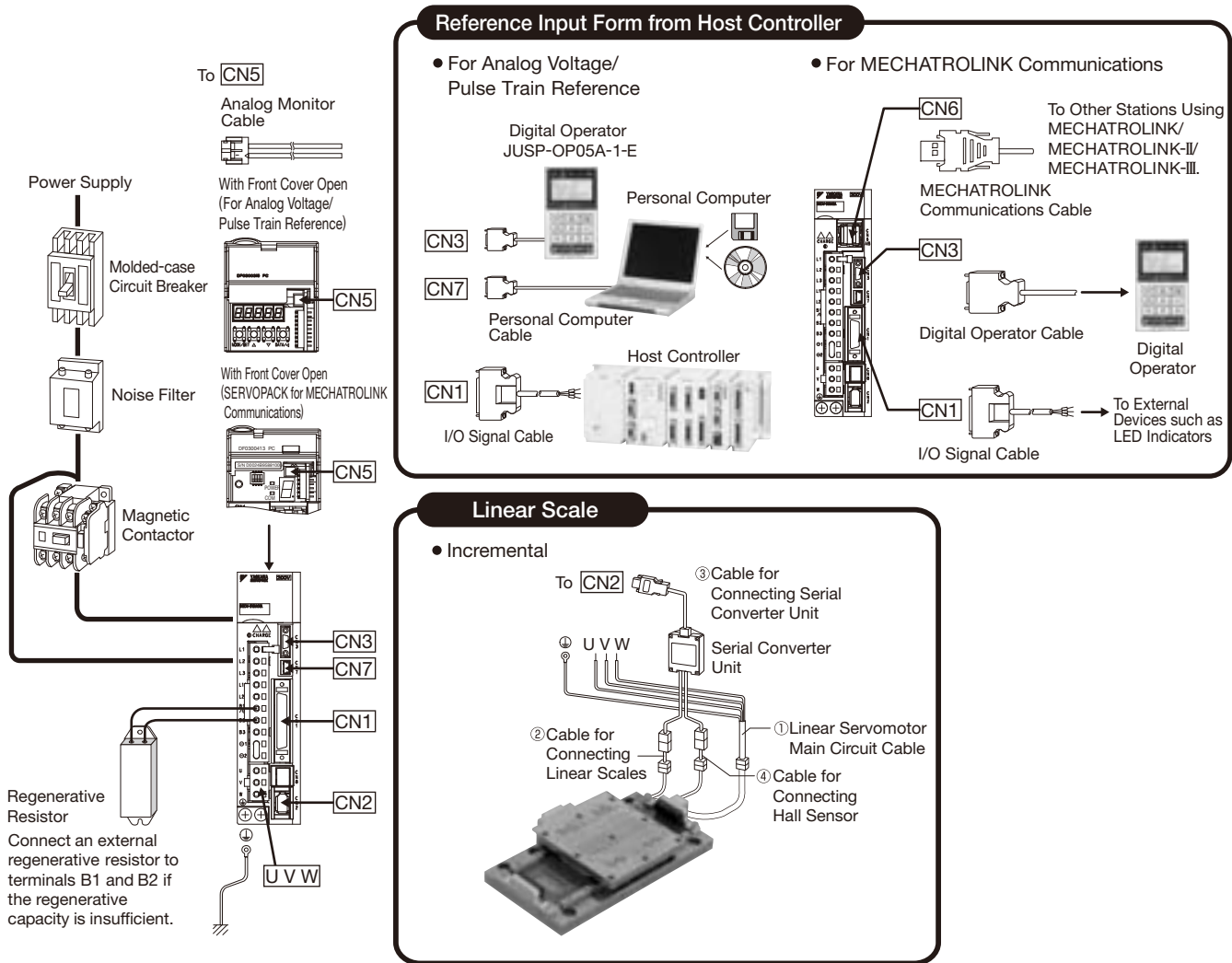


(6) SGTMM03-065AH04AP



Selecting Cables and Connectors

● Connection diagrams



● Applicable Cables and Connectors

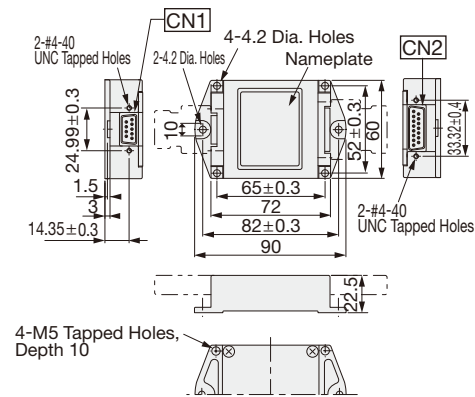
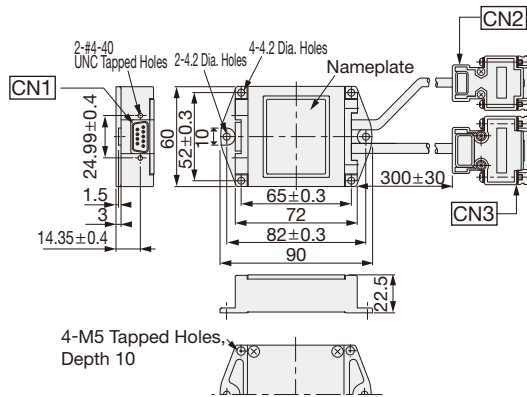
Motor Type	Linear Scale Type	Servo Drive		Motor Cable	Linear Scale Connection Cables			
		SERVOPACK Model SGD-V		SERVOPACK ↔ Motor	Serial Converter Unit Model JZDP-	[CN2] ↔ Serial Converter Unit	Serial Converter Unit ↔ Linear Scale	
		Σ-Trac-μ Series Model	Single-phase 100 V	Three-phase 200 V		③ Cable for Connecting Serial Converter Unit (Flexible Type)	② Cable for Connecting Linear Scales (Flexible Type)	
Moving Magnet (MM)	Incremental	SGTMM01-010AM20A	R70F	R70A	JZSP-CLN11-□□-E	□□003-242-E	JZSP-CLP70-□□-E The numbers in the boxes (□□) indicate the cable length. 01 = 1 m 03 = 3 m 05 = 5 m 10 = 10 m 15 = 15 m 20 = 20 m	JZSP-CLL30-□□-E*1 The numbers in the boxes (□□) indicate the cable length. 01 = 1 m 03 = 3 m 05 = 5 m 10 = 10 m 15 = 15 m Note: For SGTMM01 linear sliders, a JZSP-CLL40-E cable (length: 0.2 m) is also required.
		SGTMM01-030AM20A	R70F	R70A	JZSP-CLN11-□□-E	□□003-242-E		
		SGTMM03-025AH20AP	R90F	R90A	JZSP-CLN11-□□-E	□□006-221-E		
		SGTMM03-025AH04AP	R90F	R90A	JZSP-CLN11-□□-E	□□006-221-E		
		SGTMM03-065AH20A	R90F	R90A	JZSP-CLN11-□□-E	□□003-220-E		
		SGTMM03-065AH20AP	R90F	R90A	JZSP-CLN11-□□-E	□□006-220-E		
		SGTMM03-065AH04AP	R90F	R90A	JZSP-CLN11-□□-E	□□006-220-E		

Selecting Cables and Connectors

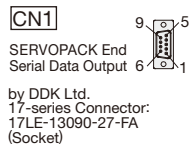
● **Detail Drawings: Serial Converter Units for Linear Scales by HEIDENHAIN Corporation**

● **JZDP-□006-□□□-E**
(With Hall Sensor Cable)

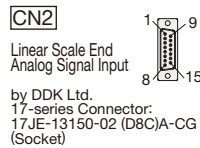
● **JZDP-□003-□□□-E**
(Without Hall Sensor Cable)



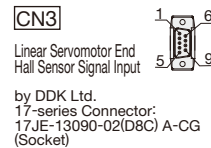
● **Details on Connectors**



Pin No.	Signal	Pin No.	Signal
1	+5V	6	Phase-S output
2	Phase-S output	7	Not used
3	Not used	8	Not used
4	Not used	9	Not used
5	0V	Case	Shield



Pin No.	Signal	Pin No.	Signal
1	cos input (A+)	9	/cos input (A-)
2	0V	10	0 V sensor
3	sin input (B+)	11	/sin input (B-)
4	+5V	12	5 V sensor
5	Not used	13	Not used
6	Not used	14	Ref input (R+)
7	/Ref input (R-)	15	Not used
8	Not used	Case	Shield



Pin No.	Signal	Pin No.	Signal
1	+5V	6	Not used
2	Phase-U input	7	Not used
3	Phase-V input	8	Not used
4	Phase-W input	9	Not used
5	0V	Case	Shield

Serial Converter Unit → Hall Sensor	Analog Voltage/Pulse Train Reference SERVOPACK		MECHATROLINK Communications Reference SERVOPACK				Cables for Setting Devices/Monitors
	I/O Signal Connector [CN1]		I/O Signal Connector [CN1]		MECHATROLINK-II Communications Connector [CN6A] or [CN6B]	MECHATROLINK-III Communications Cable [CN6A] or [CN6B]	[CN5] Analog Monitor Cable
④ Cable for Connecting Hall Sensor (Flexible Type)	Connector Terminal Block Converter Unit	Cable with Loose Wires at One End	Connector Terminal Block Converter Unit	Cable with Loose Wires at One End			
JZSP-CLL10-□□-E The numbers in the boxes(□□) indicate the cable length. 01 = 1 m 03 = 3 m 05 = 5 m 10 = 10 m 15 = 15 m Note: For SGTMM01 and SGTMM03-065AH20A servomotors, a cable for connecting the hall sensor is not required.	JZSP-TA50PG-□-E*2 The number in the box(□) indicates the cable length. None = 0.5 m 1 = 1 m 2 = 2 m	JZSP-CSI01-□-E*2 The number in the box(□) indicates the cable length. 1 = 1 m 2 = 2 m 3 = 3 m	JZSP-TA26P-□-E*2 The number in the box(□) indicates the cable length. None = 0.5 m 1 = 1 m 2 = 2 m	JZSP-CSI02-□-E*2 The number in the box(□) indicates the cable length. 1 = 1 m 2 = 2 m 3 = 3 m	MECHATROLINK communications cable: JEPMC-W6002-□□-E The numbers in the boxes(□□) indicate the cable length. A5 = 0.5 m 20 = 20 m 01 = 1 m 30 = 30 m 03 = 3 m 40 = 40 m 05 = 5 m 50 = 50 m 10 = 10 m MECHATROLINK terminator: JEPMC-W6022-E	The numbers in the boxes(□□) indicate the cable length. JEPMC-W6012-□□-E A2 = 0.2 m 05 = 5 m A5 = 0.5 m 10 = 10 m 01 = 1 m 20 = 20 m 02 = 2 m 30 = 30 m 03 = 3 m 50 = 50 m 04 = 4 m JEPMC-6013-□□-E 10 = 10 m 50 = 50 m 20 = 20 m 75 = 75 m 30 = 30 m JEPMC-6014-□□-E A5 = 0.5 m 10 = 10 m 01 = 1 m 30 = 30 m 03 = 3 m 50 = 50 m 05 = 5 m	JZSP-CA01-E (1m)

*1: When using serial converter unit JZDP-G00□-□□□-E, the maximum cable length should be 3 m.
*2: A connector kit and cable materials are required to assemble cables. For details, refer to SERVOPACKs in this catalog.

MEMO

SERVOPACKs

SERVOPACKs with AC Power Input

Analog Voltage/Pulse Train Reference SERVOPACKs (SGDV-□□□□01/05)	268
MECHATROLINK-II Communications Reference SERVOPACKs (SGDV-□□□□11/15)	280
MECHATROLINK-III Communications Reference SERVOPACKs (SGDV-□□□□21/25)	290
INDEXER Module-Mounted SERVOPACK (SGDV□□□□E□□□□□□□□1□□)	300
Description of Components	
Command Option Attachable Type SERVOPACK (SGDV-□□□□E1/E5)	
INDEXER Module (SGDV-OCA03A)	
DeviceNet Module-Mounted SERVOPACK (SGDV□□□□E□□□□□□□□5□□)	314
(SGDV□□□□E□□□□□□□□6□□)	
Description of Components	
Command Option Attachable Type SERVOPACK (SGDV-□□□□E1/E5)	
DeviceNet Module (SGDV-OCA04A/OCA05A)	
High-performance Type and Optimized -for-application Type SERVOPACKs (SDGV-□□□□□□□□□□EX□□□)	326
(SDGV-□□□□□□□□□□FT□□□)	
SERVOPACK External Dimensions	328
Wiring Main Circuit and Peripheral Devices	358

Options for SERVOPACKs with AC Power Input

Fully-closed Module	380
Model number for SERVOPACK and module set (SGDV□□□□□1□□□□□□□□□□1)	
Model number for module only (SGDV-OFA01A)	
Safety Module	388
Model number for SERVOPACK and module set (SGDV□□□□□□□□□□□□□□□1□)	
Model number for module only (SGDV-OSA01A)	

SERVOPACKs with DC Power Input

Analog Voltage Reference SERVOPACKs (SGDV-□□□ES1)	394
Pulse Train Reference SERVOPACKs (SGDV-□□□EP1)	
MECHATROLINK-II Communications Reference SERVOPACKs (SGDV-□□□E11)	404
MECHATROLINK-III Communications Reference SERVOPACKs (SGDV-□□□E21)	414
SERVOPACK External Dimensions	424
Wiring Main Circuit and Peripheral Devices	426

SERVOPACKs with AC Power Input

Analog Voltage/Pulse Train Reference SERVOPACKs

SGDV-□□□□01 (For Rotary Servomotors)	268
SGDV-□□□□05 (For Linear Servomotors)	

Model Designations	268
Features	269
Ratings	269
Specifications	270
Power Supply Capacities and Power Losses	273
Selecting Cables	274

MECHATROLINK-II Communications Reference SERVOPACKs

SGDV-□□□□11 (For Rotary Servomotors)	280
SGDV-□□□□15 (For Linear Servomotors)	

Model Designations	280
Features	281
Ratings	281
Specifications	282
Power Supply Capacities and Power Losses	284
Selecting Cables	285

MECHATROLINK-III Communications Reference SERVOPACKs

SGDV-□□□□21 (For Rotary Servomotors)	290
SGDV-□□□□25 (For Linear Servomotors)	

Model Designations	290
Features	291
Ratings	291
Specifications	292
Power Supply Capacities and Power Losses	294
Selecting Cables	295

INDEXER Module-Mounted SERVOPACK

SGDV□□□□E□□□□□□□□1□□*	300
-----------------------	-----

Model Designations	300
Features	301
Nameplate	301
Ratings	302
Specifications	303
Program Table Functions	304
Power Supply Capacities and Power Losses	305
Selecting Cables	306
Description of Components	312
Command Option Attachable Type SERVOPACK (SGDV-□□□□E1/E5)	312
INDEXER Module (SGDV-OCA03A)	313

DeviceNet Module-Mounted SERVOPACK

SGDV□□□□E□□□□□□□□5□□*	314
(Driven by SERVOPACK control power supply)	
SGDV□□□□E□□□□□□□□6□□*	
(Driven by external power supply)	

Model Designations	314
Features	315
Nameplate	315
Ratings	316
Specifications	317
Power Supply Capacities and Power Losses	319
Selecting Cables	320
Description of Components	324
Command Option Attachable Type SERVOPACK (SGDV-□□□□E1/E5)	324
DeviceNet Module (SGDV-OCA04A/OCA05A)	325

High-performance Type and Optimized-for-application Type SERVOPACKs

SDGV-□□□□□□□□□□EX□□	326
(High-performance Type Σ -V-EX Series)	
SGDV-□□□□□□□□□□FT□□	327
(Optimized-for-application Type Σ -V-FT Series)	

SERVOPACK External Dimensions

External Dimensions Units: mm (Without Option Module)	329
External Dimensions Units: mm (With Option Module)	341

Wiring Main Circuit and Peripheral Devices

Wiring Main Circuit	358
SERVOPACK Main Circuit Wire	362
Molded-case Circuit Breaker and Fuse Capacity	364
Noise Filters	365
Surge Absorber	368
Magnetic Contactors	369
AC/DC Reactors	372
Holding Brake Power Supply Unit	373
Surge Absorbers for Holding Brakes, Diodes, and Open/Close Relays	374
Regenerative Resistors	375

*:Model number for SERVOPACK and module set

Options for SERVOPACKs with AC Power Input

Fully-closed Module

SGDV□□□□□1□□□□□□□□□1 (Model number for SERVOPACK and module set)	380
SGDV-OFA01A (Model number for module only)	

System Configurations	380
Features	381
Model Designations	382
Specifications	383
External Dimensions Units: mm	383
Serial Converter Units	384
External Encoders That Support Yaskawa's Serial Interface	387

Safety Module

SGDV□□□□□□□□□□□□□□□1□ (Model number for SERVOPACK and module set)	388
SGDV-OSA01A (Model number for module only)	

Applicable Standards and Functions	388
Features	389
System Configurations	389
Model Designations	390
Nameplate	391
External Dimensions Units: mm	391
Specifications	392
Selecting Cables	393

SERVOPACKs with DC Power Input

Analog Voltage Reference SERVOPACKs Pulse Train Reference SERVOPACKs

SGDV-□□□ES1 (Analog Voltage Reference) SGDV-□□□EP1 (Pulse Train Reference)	394
---	-----

Model Designations	394
Features	395
Ratings	395
Specifications	396
Power Supply Capacities and Power Losses	398
Selecting Cables	399

MECHATROLINK-II Communications Reference SERVOPACKs

SGDV-□□□E11 (For Rotary Servomotors)	404
--------------------------------------	-----

Model Designations	404
Features	405
Ratings	405
Specifications	406
Power Supply Capacities and Power Losses	408
Selecting Cables	409

MECHATROLINK-III Communications Reference SERVOPACKs

SGDV-□□□E21 (For Rotary Servomotors)	414
--------------------------------------	-----

Model Designations	414
Features	415
Ratings	415
Specifications	416
Power Supply Capacities and Power Losses	418
Selecting Cables	419

SERVOPACK External Dimensions

External Dimensions Units: mm	424
Cover Dimensions and Connectors	425

Wiring Main Circuit and Peripheral Devices

Wiring Main Circuit	426
SERVOPACK Main Circuit Wire	429
Molded-case Circuit Breaker and Fuse Capacity	430
Noise Filters	431
Magnetic Contactors	432

Analog Voltage/Pulse Train Reference SERVOPACKs

SGDV-□□□□01 (For Rotary Servomotors)

SGDV-□□□□05 (For Linear Servomotors)



Model Designations

S G D V - R70 A 01 B 000 00 0

Σ-V Series
SGDV
SERVOPACK
1st+2nd+3rd digits
4th digit
5th+6th digits
7th digit
8th+9th+10th digits
11th+12th digits
13th digit

1st+2nd+3rd digits Current

Voltage	Code	Applicable Servomotor Max. Capacity kW
Single-phase 100 V	R70	0.05
	R90	0.1
	2R1	0.2
	2R8	0.4
Three-phase 200 V	R70*1	0.05
	R90*1	0.1
	1R6*1	0.2
	2R8*1	0.4
	3R8	0.5
	5R5*1	0.75
	7R6	1.0
	120*2	1.5
	180	2.0
	200	3.0
	330	5.0
	470	6.0
	550	7.5
	590	11
780	15	
Three-phase 400 V	1R9	0.5
	3R5	1.0
	5R4	1.5
	8R4	2.0
	120	3.0
	170	5.0
	210	6.0
	260	7.5
280	11	
370	15	

4th digit Power Supply Voltage

Code	Specifications
F	Single-phase 100 VAC
A	Three-phase 200 VAC
D	Three-phase 400 VAC

5th+6th digits Interface

Code	Specifications
01	Analog voltage/pulse train reference (for rotary servomotors)
05	Analog voltage/pulse train reference (for linear servomotors)

7th digit Design Revision Order

A, B...

Design revision order is B for the following models.

- SGD V-R70A□□□□B
- SGD V-R90A□□□□B
- SGD V-1R6A□□□□B
- SGD V-2R8A□□□□B

8th+9th+10th digits Options (hardware)

Code	Specifications
000	Base-mounted (standard)
001	Rack-mounted*3
002	Varnished
003	Rack-mounted*3 and Varnished
008	Single-phase 200 VAC input (Model: SGD V-120A01A008000)
020	Dynamic brake (DB)*4

11th+12th digits Options (software)

Code	Specifications
00	Standard

13th digit Options (parameter)

Code	Specifications
0	Standard

*1: These amplifiers can be powered with single or three-phase.

*2: Single-phase 200 VAC SERVOPACKs are also available. (Model: SGD V-120A01A008000)

*3: SERVOPACKs of 6 kW or more are duct-ventilated.

*4: Without any dynamic brake. For 400 VAC models, an external dynamic brake can be installed.

Note: If the option codes digits 8 to 13 are all zeros, they are omitted.

Contact your Yaskawa representative for information on combining options.

Features

- **Unprecedented ease-of-use through cutting-edge technology**
New tuning-less function means no adjustment needed.
Impressive load regulation with strengthened vibration suppression function.
- **Slashed setup time**
Setup wizard function and wiring conformation function of engineering tool SigmaWin+ allows easy setup just by watching the monitor.
- **High response characteristics at 1 kHz min.**
New advanced autotuning.
Reduced positioning time through model following control, and smooth machine control enabled by vibration suppression function.

Ratings

Single-phase 100 V

SERVOPACK Model SGD□-□□□□	R70F	R90F	2R1F	2R8F
Applicable Servomotor Max. Capacity kW	0.05	0.1	0.2	0.4
Continuous Output Current Arms	0.66	0.91	2.1	2.8
Max. Output Current Arms	2.1	2.9	6.5	9.3
Regenerative Resistors	None or external			
Main Circuit	Single-phase 100 to 115 VAC+10% to -15% 50/60 Hz			
Control Circuit	Single-phase 100 to 115 VAC+10% to -15% 50/60 Hz			

Single-phase 200 V

SERVOPACK Model SGD□-□□□□	R70A	R90A	1R6A	2R8A	5R5A	120A*
Applicable Servomotor Max. Capacity kW	0.05	0.1	0.2	0.4	0.75	1.5
Continuous Output Current Arms	0.66	0.91	1.6	2.8	5.5	11.6
Max. Output Current Arms	2.1	2.9	5.8	9.3	16.9	28
Regenerative Resistors	None or external		Built-in or external			
Main Circuit*	Single-phase 200 to 230 VAC+10% to -15% 50/60 Hz					
Control Circuit*	Single-phase 200 to 230 VAC+10% to -15% 50/60 Hz					

*: The rated voltage is 220 to 230 VAC for the SGD□-120A01A008000 SERVOPACK.

Three-phase 200 V

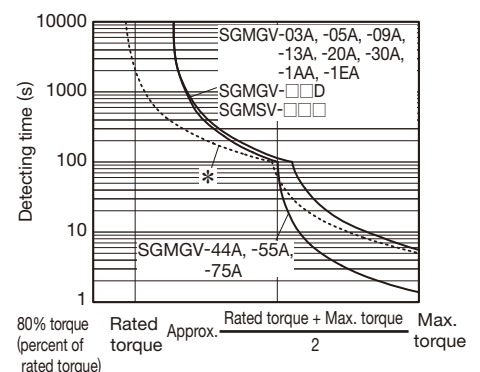
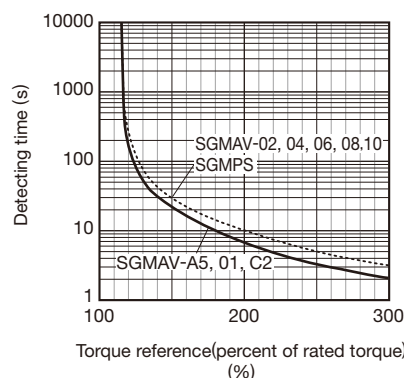
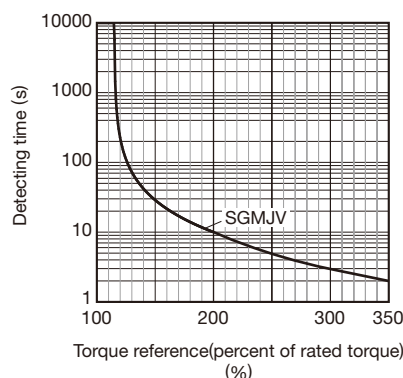
SERVOPACK Model SGD□-□□□□	R70A	R90A	1R6A	2R8A	3R8A	5R5A	7R6A	120A	180A	200A	330A	470A	550A	590A	780A	
Applicable Servomotor Max. Capacity kW	0.05	0.1	0.2	0.4	0.5	0.75	1.0	1.5	2.0	3.0	5.0	6	7.5	11	15	
Continuous Output Current Arms	0.66	0.91	1.6	2.8	3.8	5.5	7.6	11.6	18.5	19.6	32.9	46.9	54.7	58.6	78	
Max. Output Current Arms	2.1	2.9	5.8	9.3	11	16.9	17	28	42	56	84	110	130	140	170	
Regenerative Resistors	None or external				Built-in or external					External						
Main Circuit	Three-phase 200 to 230 VAC+10% to -15% 50/60 Hz															
Control Circuit	Single-phase 200 to 230 VAC+10% to -15% 50/60 Hz															

Three-phase 400 V

SERVOPACK Model SGD□-□□□□	1R9D	3R5D	5R4D	8R4D	120D	170D	210D	260D	280D	370D
Applicable Servomotor Max. Capacity kW	0.5	1.0	1.5	2.0	3.0	5.0	6	7.5	11	15
Continuous Output Current Arms	1.9	3.5	5.4	8.4	11.9	16.5	20.8	25.7	28.1	37.2
Max. Output Current Arms	5.5	8.5	14	20	28	42	55	65	70	85
Regenerative Resistors	Built-in or external						External			
Main Circuit	Three-phase 380 to 480 VAC+10% to -15% 50/60 Hz									
Control Circuit	24 VDC ± 15%									

Note: The entire over voltage category is III.

● SERVOPACK Overload Characteristics



Note: Overload characteristics shown above do not guarantee continuous duty of 100% or more output. Use a servomotor with effective torque within the continuous duty zone of *Torque-Motor Speed Characteristics*.

*: The dotted line indicates the characteristics of a combination of SGD□-200A SERVOPACKs and SGMGV-30A servomotors.

Specifications

Items		Specifications	
Control Method		IGBT PWM control, sine-wave driven	
Feedback	Rotary Servomotors	Serial encoder: 13-bit (incremental encoder) : 17-bit (incremental/absolute encoder) : 20-bit (incremental/absolute encoder)	
	With Linear Servomotors	Absolute linear scale (The signal resolution varies depending on the absolute linear scale.) Incremental linear scale (The signal resolution varies depending on the incremental linear scale or serial converter unit.)	
Operating Conditions	Ambient Temperature	0 to +55°C	
	Storage Temperature	-20 to +85°C	
	Ambient Humidity	90%RH or less	
	Storage Humidity	90%RH or less	
	Vibration Resistance	4.9 m/s ²	
	Shock Resistance	19.6 m/s ²	
	Protection Class	IP10	An environment that satisfies the following conditions. • Free of corrosive or flammable gases • Free of exposure to water, oil, or chemicals • Free of dust, salts, or iron dust
	Pollution Degree	2	
	Altitude	1000 m or less	
Others	Do not use SERVOPACKs in the following locations: • Locations subject to static electricity noise, strong electromagnetic/magnetic fields, radioactivity		
Applicable Standards		Refer to <i>International Standards</i> on page 454.	
Mounting		Standard: Base-mounted Optional: Rack-mounted, Duct-ventilated	
Performance	Speed Control Range	1:5000 (The lower limit of the speed control range must be lower than the point at which the rated torque does not cause the servomotor to stop.)	
	Speed Regulation*1	Load Fluctuation	0% to 100% load: ±0.01% max. (at rated speed)
		Voltage Fluctuation	Rated voltage: ±10% : 0% (at rated speed)
		Temperature Fluctuation	25±25°C : ±0.1% max. (at rated speed)
	Torque Control Tolerance (Repeatability)	±1%	
Soft Start Time Setting	0 to 10 s (can be set individually for acceleration and deceleration.)		
Communications	RS-422A Communications	Interface	Digital operator (JUSP-OP05A-1-E), personal computer (can be connected with SigmaWin+)
		1:N communications	RS-422A port: N=15 max. available
		Axis address setting	Set by parameters
	USB Communications	Interface	Personal computer (can be connected with SigmaWin+.)
	Communications Standard	Compliant with USB1.1 standard (12 Mbps)	
Display		CHARGE indicator	
Analog Monitor		Number of points: 2 Output voltage: ±10 VDC (linearity effective range ±8 V) Resolution: 16 bit Accuracy: ±20 mV (Typ) Max. output current: ±10 mA Settling time (±1%): 1.2 ms (Typ)	
Dynamic Brake (DB)		Activated when a servo alarm or overtravelling (OT) occurs, or when the power supply for the main circuit or servomotor is OFF.	
Regenerative Processing		Included (For more information, refer to the previous page.)	
Overtravelling (OT) Prevention		Dynamic brake stop at P-OT or N-OT, deceleration to a stop, or free run to a stop	
Protective Functions		Overcurrent, Overvoltage, low voltage, overload, regeneration error , etc.	
Utility Functions		Gain adjustment, alarm history, JOG operation, origin search, etc.	
Safety Functions	Input	/HWBB1 , /HWBB2: Baseblock signal for power module	
	Output	EDM1: Status monitor (fixed output) of built-in safety circuit	
	Applicable Standards*2	EN ISO13849-1 PL d (Category 3), IEC61508 SIL2	
Option Module		Fully-closed Module, Safety Module	

*1: Speed regulation by load regulation is defined as follows:

$$\text{Speed regulation} = \frac{\text{No-load motor speed} - \text{Total load motor speed}}{\text{Rated motor speed}} \times 100\%$$

*2: Implement risk assessment and confirm that the safety requirements of the machine have been met.

Specifications

● Rotary Servomotors

Items			Specifications	
I/O Signal	Encoder Output Pulses		Phase A, phase B, phase C: line driver output The number of dividing pulse: Any setting ratio is available.	
	Sequence Input	Fixed Input	SEN signal	
		Input Signals which can be allocated	Number of Channels	7 channels
	Functions		<ul style="list-style-type: none"> • Servo ON (/S-ON) • Internal set speed selection (/SPD-D, /SPD-A, /SPD-B) • Proportional control (/P-CON) • Forward run prohibited (P-OT), reverse run prohibited (N-OT) • Control selection (/C-SEL) • Zero clamping (/ZCLAMP) • Alarm reset (/ALM-RST) • Reference pulse inhibit (/INHIBIT) • Forward external torque limit (/P-CL), reverse external torque limit (/N-CL) • Gain selection (/G-SEL) Positive and negative logic can be changed.	
	Sequence Output	Fixed Output	Servo alarm (ALM), alarm code (ALO1, ALO2, ALO3) outputs	
		Output Signals which can be allocated	Number of Channels	3 channels
Functions	<ul style="list-style-type: none"> • Positioning completion (/COIN) • Speed limit detection (/VLT) • Speed coincidence detection (/V-CMP) • Brake (/BK) • Rotation detection (/TGON) • Warning (/WARN) • Servo ready (/S-RDY) • Near (/NEAR) • Torque limit detection (/CLT) Positive and negative logic can be changed.			
Panel Operator		Display Unit	Five 7-segment LEDs	
		Switch	Four push switches	
Torque Control	Input Signals	Reference Voltage	<ul style="list-style-type: none"> • Max. input voltage: ± 12 V (forward torque reference with positive reference) • Factory setting: 3 VDC at rated torque (Input gain setting can be changed.) 	
		Input Impedance	About 14 k Ω	
		Circuit Time Constant	16 μ s	
Speed Control	Soft Start Time Setting		0 to 10 s (can be set individually for acceleration and deceleration.)	
	Input Signals	Reference Voltage	<ul style="list-style-type: none"> • Max. input voltage: ± 12 V (forward speed reference with positive reference) • Factory setting: 6 VDC at rated speed (Input gain setting can be changed.) 	
		Input Impedance	About 14 k Ω	
		Circuit Time Constant	30 μ s	
	Internal Set Speed Control	Rotation Direction Selection	With P control signal	
		Speed Selection	With forward/reverse external torque limit signal (speed 1 to 3 selection). Servomotor stops or another control method is used when both are OFF.	
Feedforward Compensation		0 to 100%		
Positioning Completed Width Setting		0 to 1073741824 reference units		
Position Control	Input Signals	Reference Pulse	Type	Select one of them: Sign + pulse train, CW + CCW pulse train, or two-phase pulse train with 90° phase differential
			Form	For line driver, open collector
		Max. Input Pulse Frequency*	Line driver	Sign + pulse train, CW + CCW pulse train: 4 Mpps Two-phase pulse train with 90° phase differential: 1 Mpps
			Open Collector	Sign + pulse train, CW + CCW pulse train: 200 kpps Two-phase pulse train with 90° phase differential: 200 kpps
	Clear Signal	Position error clear For line driver, open collector		

*: If the maximum reference frequency exceeds 1 Mpps, use a shielded cable for I/O signals and ground both ends of the shield. Connect the shield at the SERVOPACK to the connector shell.

Specifications

● Linear Servomotors

Items			Specifications		
I/O Signal	Encoder Output Pulses		Phase A, phase B, phase C: line driver output The number of dividing pulse: Any setting ratio is available.		
	Sequence Input	Fixed Input	SEN signal		
		Input Signals which can be allocated	Number of Channels	7 channels	
	Functions		<ul style="list-style-type: none"> • Servo ON (/S-ON) • Internal set speed selection (/SPD-D, /SPD-A, /SPD-B) • Proportional control (/P-CON) • Forward run prohibited (P-OT), Reverse run prohibited (N-OT) • Control selection (/C-SEL) • Zero clamping (/ZCLAMP) • Alarm reset (/ALM-RST) • Reference pulse inhibit (/INHIBIT) • Forward external force limit (/P-CL), Reverse external force limit (/N-CL) • Gain selection (/G-SEL) • Polarity detection (P-DET) Positive and negative logic can be changed.		
	Sequence Output	Fixed Output	Servo alarm (ALM), alarm code (ALO1, ALO2, ALO3) outputs		
		Output Signals which can be allocated	Number of Channels	3 channels	
Functions	<ul style="list-style-type: none"> • Positioning completion (/COIN) • Speed limit detection (VLT) • Speed coincidence detection (V-CMP) • Brake (/BK) • Servomotor movement detection (/TGON) • Warning (/WARN) • Servo ready (/S-RDY) • Near (/NEAR) • Force limit detection (/CLT) Positive and negative logic can be changed.				
Panel Operator		Display Unit	Five 7-segment LEDs		
		Switch	Four push switches		
Force Control	Input Signals	Reference Voltage	<ul style="list-style-type: none"> • Max. input voltage: ± 12 V (forward force reference with positive reference) • Factory setting: 3 VDC at rated force (Input gain setting can be changed.) 		
		Input Impedance	About 14 k Ω		
		Circuit Time Constant	16 μ s		
Speed Control	Soft Start Time Setting		0 to 10 s (can be set individually for acceleration and deceleration.)		
	Input Signals	Reference Voltage	<ul style="list-style-type: none"> • Max. input voltage: ± 12 V (forward speed reference with positive reference) • Factory setting: 6 VDC at rated speed (Input gain setting can be changed.) 		
		Input Impedance	About 14 k Ω		
		Circuit Time Constant	30 μ s		
	Internal Set Speed Control	Movement Direction Selection	With P control signal		
Speed Selection		With forward/reverse external force limit signal (speed 1 to 3 selection). Servomotor stops or another control method is used when both are OFF.			
Position Control	Feedforward Compensation		0 to 100%		
	Positioning Completed Width Setting		0 to 1073741824 reference units		
	Input Signals	Reference Pulse	Type	Select one of them: Sign + pulse train, forward + reverse pulse train, two-phase pulse train with 90° phase differential	
			Form	For line driver, open collector	
		Max. Input Pulse Frequency*	Line driver Sign + pulse train, forward + reverse pulse train: 4 Mpps Two-phase pulse train with 90° phase differential: 1 Mpps Open Collector Sign + pulse train, forward + reverse pulse train: 200 kpps Two-phase pulse train with 90° phase differential: 200 kpps		
	Clear Signal	Position error clear For line driver, open collector			

*: If the maximum reference frequency exceeds 1 Mpps, use a shielded cable for I/O signals and ground both ends of the shield.
Connect the shield at the SERVOPACK to the connector shell.

Power Supply Capacities and Power Losses

The following table shows SERVOPACK's power supply capacities and power losses at the rated output.

Main Circuit Power Supply	Applicable Servomotor Max. Capacity kW	SERVOPACK Model SGD V-	Power Supply Capacity kVA	Output Current Arms	Main Circuit Power Loss W	Regenerative Resistor Power Loss	Control Circuit Power Loss	Total Power Loss
						W	W	W
Signal-phase 100 V	0.05	R70F	0.2	0.66	5.4	—	17	22.4
	0.1	R90F	0.3	0.91	7.8			24.8
	0.2	2R1F	0.7	2.1	14.4			31.4
	0.4	2R8F	1.4	2.8	25.6			42.6
Single-phase 200 V	0.05	R70A	0.2	0.66	5.2	—	17	22.2
	0.1	R90A	0.3	0.91	7.4			24.4
	0.2	1R6A	0.7	1.6	13.7			30.7
	0.4	2R8A	1.2	2.8	24.9			41.9
	0.75	5R5A	1.9	5.5	52.7	8	77.7	
	1.5	120A	4	11.6	68.2	10	22	100.2
Three-phase 200 V	0.05	R70A	0.2	0.66	5.1	—	17	22.1
	0.1	R90A	0.3	0.91	7.3			24.3
	0.2	1R6A	0.6	1.6	13.5			30.5
	0.4	2R8A	1	2.8	24.0			41.0
	0.5	3R8A	1.4	3.8	20.1	8	45.1	
	0.75	5R5A	1.6	5.5	43.8		68.8	
	1.0	7R6A	2.3	7.6	53.6	10	78.6	
	1.5	120A	3.2	11.6	65.8		97.8	
	2.0	180A	4	18.5	111.9	16	22	149.9
	3.0	200A	5.9	19.6	113.8		161.4	
	5.0	330A	7.5	32.9	263.7	36	27	326.7
	6.0	470A	10.7	46.9	279.4	(180)*1	33	312.4
	7.5	550A	14.6	54.7	357.8	(350)*2		390.8
	11	590A	21.7	58.6	431.7	(350)*2	48	479.7
15	780A	29.6	78	599.0	647.0			
Three-phase 400 V	0.5	1R9D	1.1	1.9	24.6	14	21	59.6
	1.0	3R5D	2.3	3.5	46.1			81.1
	1.5	5R4D	3.5	5.4	71.3			106.3
	2.0	8R4D	4.5	8.4	77.9	28	25	130.9
	3.0	120D	7.1	11.9	108.7			161.7
	5.0	170D	11.7	16.5	161.1	36	24	221.1
	6.0	210D	12.4	20.8	172.7	(180)*3	27	199.7
	7.5	260D	14.4	25.7	218.6			245.6
	11	280D	21.9	28.1	294.6	(350)*4	30	324.6
	15	370D	30.6	37.2	403.8			433.8

*1: For the optional JUSP-RA04-E regenerative resistor unit.

*2: For the optional JUSP-RA05-E regenerative resistor unit.

*3: For the optional JUSP-RA18-E regenerative resistor unit.

*4: For the optional JUSP-RA19-E regenerative resistor unit.

Notes: 1 SGD V-R70F, -R90F, -2R1F, -2R8F, -R70A, -R90A, -1R6A, and -2R8A SERVOPACKs do not have built-in regenerative resistors.

If the regenerative energy exceeds the specified value, connect an external regenerative resistor (optional).

2 SGD V-470A, -550A, -590A, -780A, -210D, -260D, -280D, -370D SERVOPACKs do not have built-in regenerative resistors.

Be sure to connect a regenerative resistor unit or an external regenerative resistor. For selection details, refer to page 375.

3 Regenerative resistor power losses are allowable losses. Take the following action if this value is exceeded.

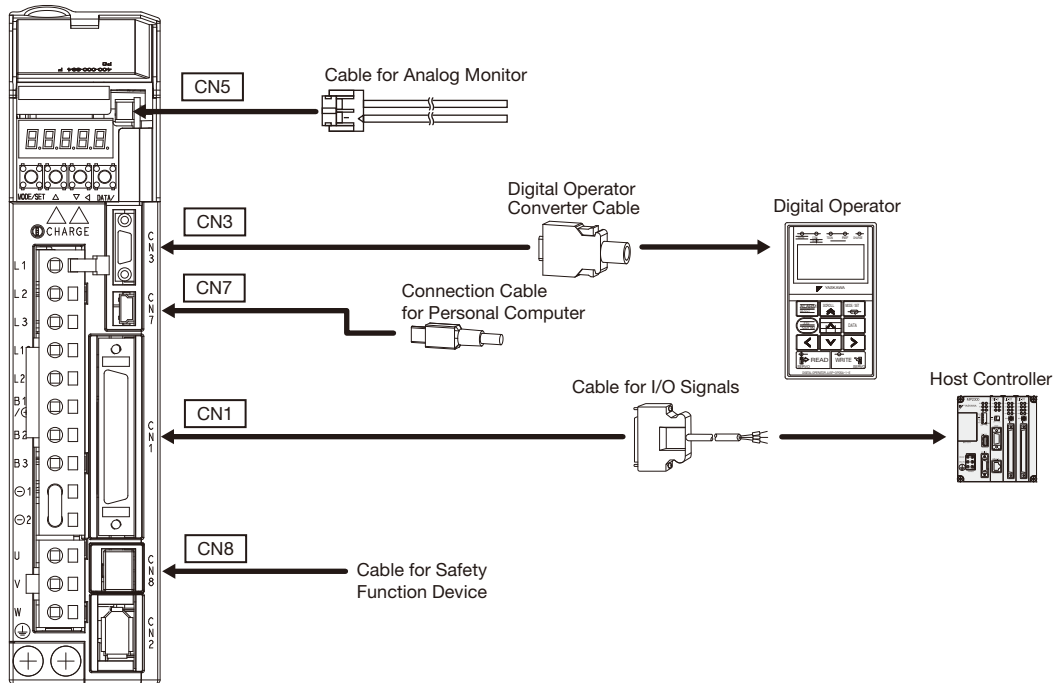
- Remove the lead or short bar that is short-circuiting the SERVOPACK main circuit terminal B2 and B3.






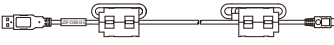

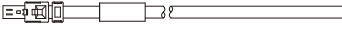
- (SGDV-3R8A, -5R5A, -7R6A, -120A, -180A, -200A, -330A, or 400-V class SERVOPACKs.)

- Install an external regenerative resistor (optional). For selection details, refer to page 375.

Selecting Cables

● Cables for **CN1** **CN3** **CN5** **CN7** **CN8** (Analog Voltage/Pulse Train Reference SERVOPACKs)



Name	Length	Order No.	Specifications	Details	
CN1 Cables for I/O Signals	Connector Kit	JZSP-CSI9-1-E	Soldered 	(1)	
	Connector Terminal Converter Unit	0.5 m	JUSP-TA50PG-E	Terminal Block and Connection Cable 	(2)
		1 m	JUSP-TA50PG-1-E		
		2 m	JUSP-TA50PG-2-E		
	Cables with Loose Wires at One End	1 m	JZSP-CSI01-1-E	Cable with Loose Wires at Peripheral Devices 	(3)
		2 m	JZSP-CSI01-2-E		
3 m		JZSP-CSI01-3-E			
CN3	Digital Operator	JUSP-OP05A-1-E	With Connection Cable (1 m) 	(4)	
	Digital Operator Converter Cable*1	0.3 m	JZSP-CVS05-A3-E Cable with Connectors at Both Ends 	(5)	
CN7 Connection Cables for Personal Computer	2.5 m	JZSP-CVS06-02-E	Cable with Connectors at Both Ends 	(6)	
CN5 Cables for Analog Monitor	1 m	JZSP-CA01-E	SERVOPACK End 	(7)	
CN8 Cable for Safety Function Device	Cables with Connector*2	1 m	JZSP-CVH03-01-E 	(8)	
		3 m	JZSP-CVH03-03-E		
	Connector Kit*3	Contact Tyco Electronics Japan G.K. Product name: Industrial Mini I/O D-shape Type1 Plug Connector Kit Model: 2013595-1			

*1 : A converter cable is required to use Σ -III series digital operators (model: JUSP-OP05A) for Σ -V series SERVOPACKs.

*2 : When using the safety function, connect this cable to the safety devices.

Even when not using the safety function, use SERVOPACKs with the Safe Jumper Connector (model: JZSP-CVH05-E) connected.

*3 : Use the connector kit when you make cables yourself.

Selecting Cables

(1) Connector Kit for CN1

Use the following connector and cable to assemble the cable.
 The CN1 connector kit includes one case and one connector.

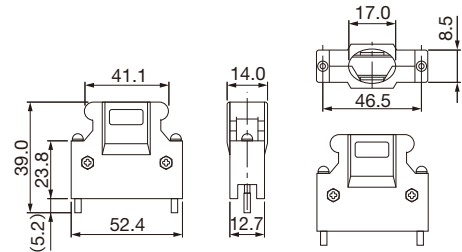
Connector Kit Model	Case Model	Qty	Connector Model	Qty
JZSP-CSI9-1-E	10350-52Z0-008*	1 set	10150-3000PE* (Soldered)	1

* : Manufactured by 3M Japan Ltd.

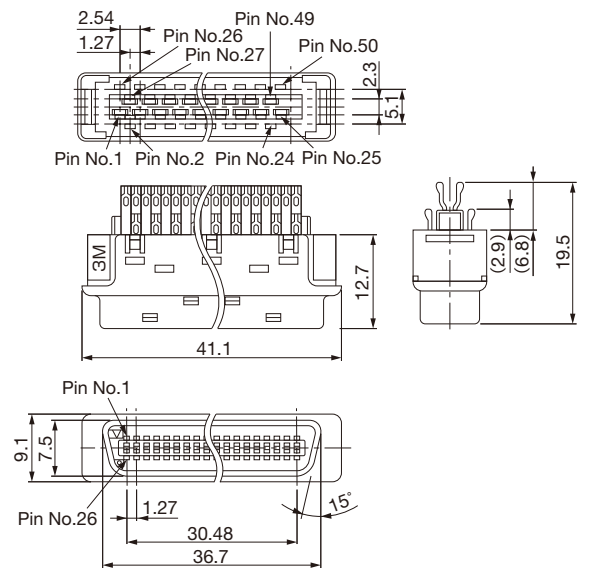
• Cable Size

Item	Specifications
Cable	Use twisted-pair or twisted-pair shielded wire.
Applicable Wires	AWG24, 26, 28, 30
Cable Finished Diameter	16 dia. max.

• External Dimensions of Case (Units: mm)

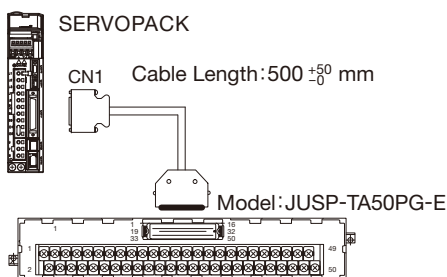


• External Dimensions of Connector (Units: mm)

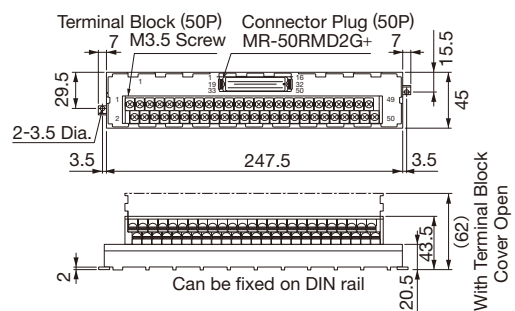


(2) Connector Terminal Converter Unit for CN1

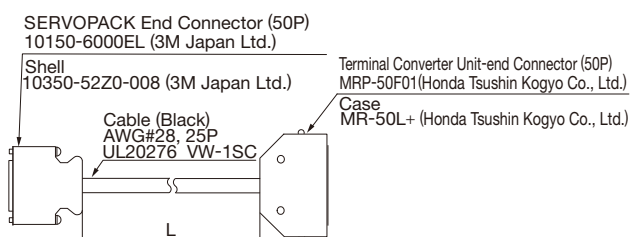
• Configurations



• External Dimensions of Terminal Block (Units: mm)



• External Dimensions of Cable (Units: mm)



Model	Cable Length (L)
JUSP-TA50PG-E	0.5 m
JUSP-TA50PG-1-E	1 m
JUSP-TA50PG-2-E	2 m

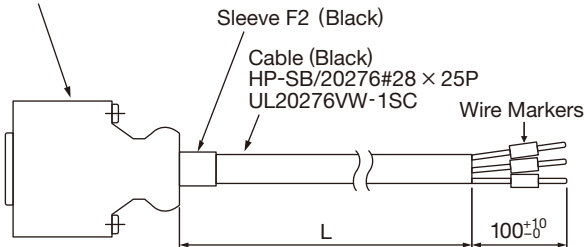
Note: The pin numbers in the SERVOPACK connector and the pin numbers in the terminal block are the same. If assembling cables, refer to ● Cable with Loose Wires at One End for CN1 Connection Diagram of JZSP-CSI01-□-E Cable on the next page.

Selecting Cables

(3) Cable with Loose Wires at One End for CN1

- External Dimensions (Units: mm)

SERVOPACK End
 Connector 10150-6000EL (50P)*
 Case 10350-52Z0-008*



* : Manufactured by 3M Japan Ltd.

Model	Cable Length (L)
JZSP-CSI01-1-E	1 m
JZSP-CSI01-2-E	2 m
JZSP-CSI01-3-E	3 m

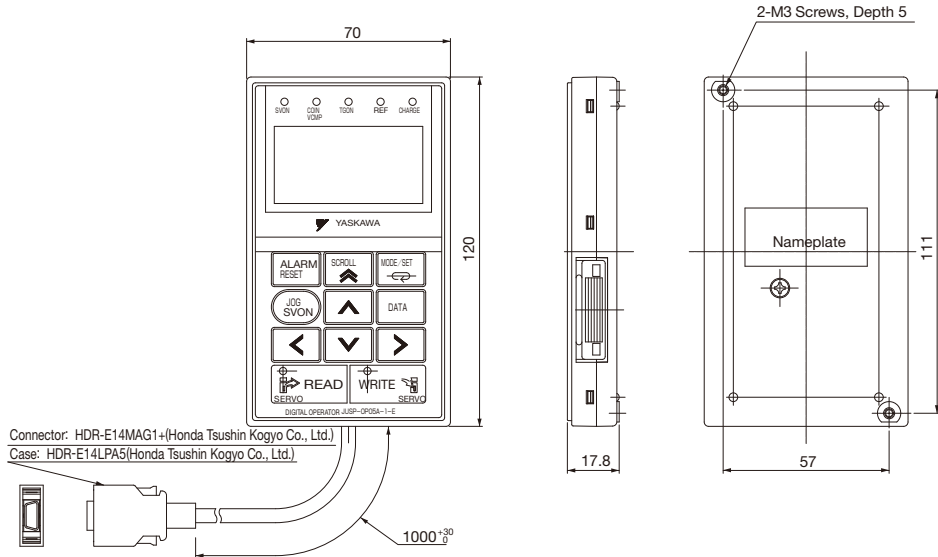
● Cable with Loose Wires at One End for CN1

Connection Diagram of JZSP-CSI01-□-E Cable

Pin No.	Signal	Wire Color	Marking		Host Controller End	Lead Marker
			Color	Dots		
1	SG	Orange	Red	1		1
2	PL1	Orange	Black	1		3
3	SG	Gray	Red	1		2
4	SEN	Gray	Black	1		4
5	V-REF	White	Red	1	✓	5
6	SG	White	Black	1	✓	6
7	PULS	Yellow	Red	1	✓	7
8	/PULS	Yellow	Black	1	✓	8
9	T-REF	Pink	Red	1	✓	9
10	SG	Pink	Black	1	✓	10
11	SIGN	Orange	Red	2	✓	11
12	/SIGN	Orange	Black	2	✓	12
13	PL2	Gray	Red	2	✓	13
14	/CLR	White	Red	2	✓	14
15	CLR	White	Black	2	✓	15
16	-	Gray	Black	2	✓	16
17	-	Yellow	Red	2	✓	17
18	PL3	Yellow	Black	2	✓	18
19	PCO	Pink	Red	2	✓	19
20	/PCO	Pink	Black	2	✓	20
21	BAT(+)	Orange	Red	3	✓	21
22	BAT(-)	Orange	Black	3	✓	22
23	-	Gray	Red	3	✓	23
24	-	Gray	Black	3	✓	24
25	/V-CMP+	White	Red	3	✓	25
26	/V-CMP-	White	Black	3	✓	26
27	/TGON+	Yellow	Red	3	✓	27
28	/TGON-	Yellow	Black	3	✓	28
29	/S-RDY+	Pink	Red	3	✓	29
30	/S-RDY-	Pink	Black	3	✓	30
31	ALM+	Orange	Red	4	✓	31
32	ALM-	Orange	Black	4	✓	32
33	PAO	Gray	Red	4	✓	33
34	/PAO	Gray	Black	4	✓	34
35	PBO	White	Red	4	✓	35
36	/PBO	White	Black	4	✓	36
37	ALO1	Yellow	Red	4	✓	37
38	ALO2	Yellow	Black	4	✓	38
39	ALO3	Pink	Red	4	✓	39
40	/S-ON	Pink	Black	4	✓	40
41	/P-CON	Orange	Red	5	✓	41
42	P-OT	Orange	Black	5	✓	42
43	N-OT	Gray	Red	5	✓	43
44	/ALM-RST	Gray	Black	5	✓	44
45	/P-CL	White	Red	5	✓	45
46	/N-CL	White	Black	5	✓	46
47	+24V-IN	Yellow	Red	5	✓	47
48	-	Pink	Red	5	✓	48
49	-	Pink	Black	5	✓	49
50	-	Yellow	Black	5	✓	50
Case	Shield				⚡	Represents twisted-pair wires.

Selecting Cables

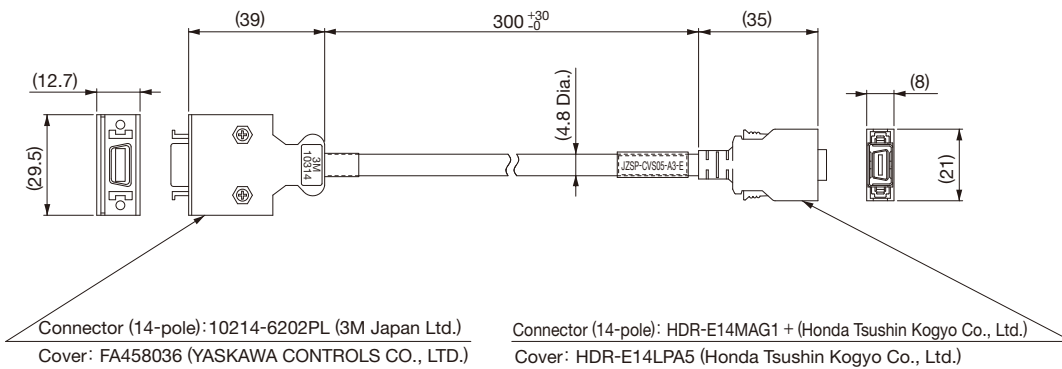
(4) Digital Operator (Model: JUSP-OP05A-1-E) (Units: mm)



(5) Digital Operator Converter Cable for CN3 (Model: JZSP-CVS05-A3-E)

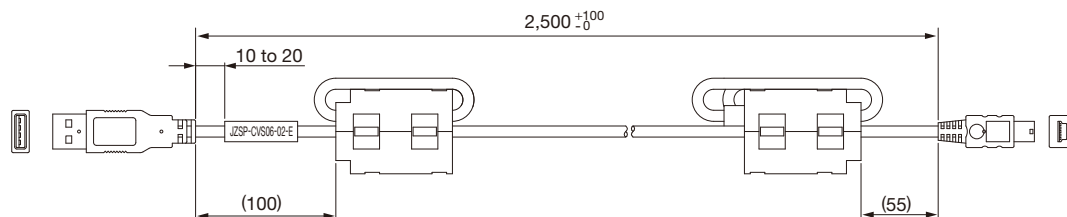
A converter cable is required to use Σ -III series digital operators (model: JUSP-OP05A) for Σ -V series SERVOPACKS.

• External Dimensions (Units: mm)



(6) Connection Cable for Personal Computer for CN7 (Model: JZSP-CVS06-02-E)

• External Dimensions (Units: mm)



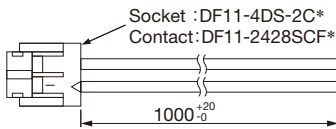
IMPORTANT

Use a cable specified by Yaskawa.
 When using other cables, operation cannot be guaranteed.

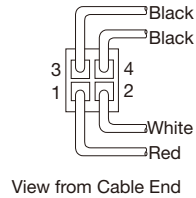
Selecting Cables

(7) Cable for Analog Monitor for CN5 (Model: JZSP-CA01-E)

- External Dimensions (Units: mm)



* : Manufactured by Hirose Electric Corporation.



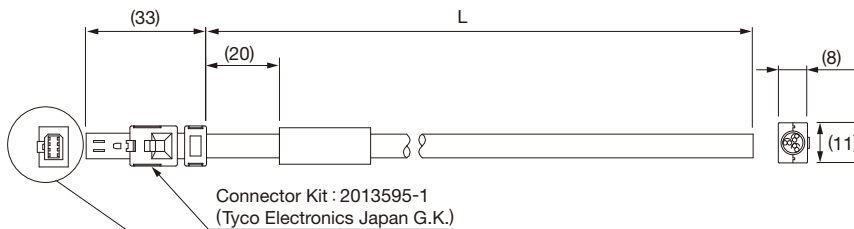
- Specifications

Pin No.	Cable Color	Signal	Standard Settings
1	Red	Analog Monitor 2	Motor speed : 1V/1000 min ⁻¹
2	White	Analog Monitor 1	Torque reference : 1V/100% rated torque
3, 4	Black (2 cables)	GND(0V)	—

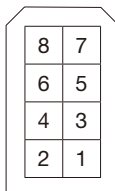
Note : The specifications above are factory settings. Monitor specifications can be changed by changing parameters Pn006 and Pn007.

(8) Cable with Connector for CN8

- External Dimensions (Units: mm)



Pin Layout



Model	Cable Length (L)
JZSP-CVH03-01-E	1 m
JZSP-CVH03-03-E	3 m

- Specifications

Pin No.	Signal	Lead Color	Marking Color
1	Not used	—	—
2	Not used	—	—
3	/HWBB1-	White	Black
4	/HWBB1+	White	Red
5	/HWBB2-	Gray	Black
6	/HWBB2+	Gray	Red
7	EDM1-	Orange	Black
8	EDM1+	Orange	Red

AC

Analog Voltage/Pulse Train Reference SERVOPACKs

MECHATROLINK-II Communications Reference SERVOPACKs

SGDV-□□□□11

(For Rotary Servomotors)

SGDV-□□□□15

(For Linear Servomotors)



Model Designations

S G D V - R70 A 11 B 000 00 0

Σ-V Series
SGDV
SERVOPACK

1st+2nd+3rd digits

4th digit

5th+6th digits

7th digit

8th+9th+10th digits

11th+12th digits

13th digit

1st+2nd+3rd digits Current

Voltage	Code	Applicable Servomotor Max. Capacity kW
Single-phase 100 V	R70	0.05
	R90	0.1
	2R1	0.2
	2R8	0.4
Three-phase 200 V	R70*1	0.05
	R90*1	0.1
	1R6*1	0.2
	2R8*1	0.4
	3R8	0.5
	5R5*1	0.75
	7R6	1.0
	120*2	1.5
	180	2.0
	200	3.0
	330	5.0
	470	6.0
	550	7.5
	590	11
780	15	
Three-phase 400 V	1R9	0.5
	3R5	1.0
	5R4	1.5
	8R4	2.0
	120	3.0
	170	5.0
	210	6.0
	260	7.5
	280	11
370	15	

4th digit Power Supply Voltage

Code	Specifications
F	Single-phase 100 VAC
A	Three-phase 200 VAC
D	Three-phase 400 VAC

5th+6th digits Interface

Code	Specifications
11	MECHATROLINK-II communications Reference (for rotary servomotors)
15	MECHATROLINK-II communications Reference (for linear servomotors)

7th digit Design Revision Order

A, B...

Design revision order is B for the following models.

- SGDV-R70A□□□□B
- SGDV-R90A□□□□B
- SGDV-1R6A□□□□B
- SGDV-2R8A□□□□B

8th+9th+10th digits Options (hardware)

Code	Specifications
000	Base-mounted (standard)
001	Rack-mounted*3
002	Varnished
003	Rack-mounted*3 and Varnished
008	Single-phase 200 VAC input (Model: SGDV-120A11A008000)
020	Dynamic brake (DB)*4

11th+12th digits Options (software)

Code	Specifications
00	Standard

13th digit Options (parameter)

Code	Specifications
0	Standard

*1: These amplifiers can be powered with single or three-phase.

*2: Single-phase 200 VAC SERVOPACKs are also available. (Model: SGDV-120A11A008000)

*3: SERVOPACKs of 6 kW or more are duct-ventilated.

*4: Without any dynamic brake. For 400 VAC models, an external dynamic brake can be installed.

Note: If the option codes digits 8 to 13 are all zeros, they are omitted.

Contact your Yaskawa representative for information on combining options.

Features

- **Real-time communications**

MECHATROLINK- II communications enable high-speed control for 30 stations at a maximum transmission speed of 10 Mbps in a transmission cycle from 250 μ s to 4 ms (set by the host controller). Such a high transmission speed allows real-time transmission of various data required for control.

- **Cost savings**

Thirty stations can be connected to a single MECHATROLINK- II transmission line, so wiring costs and time are greatly reduced. Also, only one signal connector is required on the host controller. And, the all-digital network eliminates the need for conversion from digital to analog for speed/torque references and for a pulse generator to generate position references.

- **High-precision motion control**

The SGDV SERVOPACK when connected to the host controller in the MECHATROLINK- II network provides not only torque, position, and speed control but also synchronized phase control that requires advanced control technology. The control mode can be changed online so that the machine can move smoothly in complex motions with great efficiency.

AC

M- II

Ratings

Single-phase 100 V

SERVOPACK Model SGDV-□□□□	R70F	R90F	2R1F	2R8F
Applicable Servomotor Max. Capacity kW	0.05	0.1	0.2	0.4
Continuous Output Current Arms	0.66	0.91	2.1	2.8
Max. Output Current Arms	2.1	2.9	6.5	9.3
Regenerative Resistors	None or external			
Main Circuit	Single-phase 100 to 115 VAC+10% to -15% 50/60 Hz			
Control Circuit	Single-phase 100 to 115 VAC+10% to -15% 50/60 Hz			

Single-phase 200 V

SERVOPACK Model SGDV-	R70A	R90A	1R6A	2R8A	5R5A	120A*
Applicable Servomotor Max. Capacity kW	0.05	0.1	0.2	0.4	0.75	1.5
Continuous Output Current Arms	0.66	0.91	1.6	2.8	5.5	11.6
Max. Output Current Arms	2.1	2.9	5.8	9.3	16.9	28
Regenerative Resistors	None or external				Built-in or external	
Main Circuit*	Single-phase 200 to 230 VAC+10% to -15% 50/60 Hz					
Control Circuit*	Single-phase 200 to 230 VAC+10% to -15% 50/60 Hz					

*: The rated voltage is 220 to 230 VAC for the SGDV-120A11A008000 SERVOPACK.

Three-phase 200 V

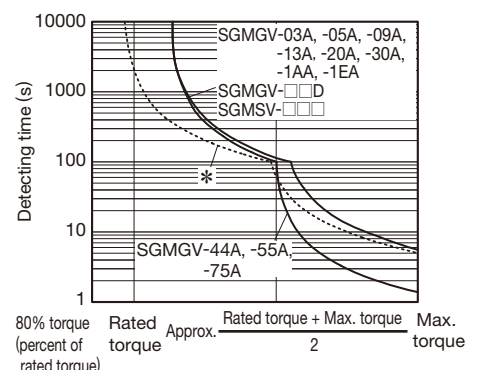
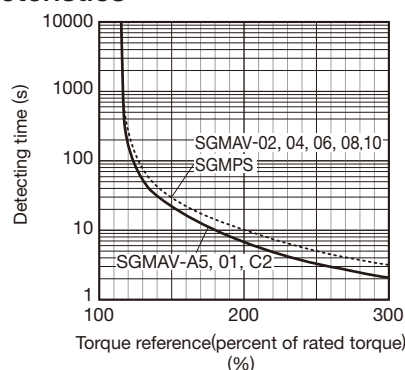
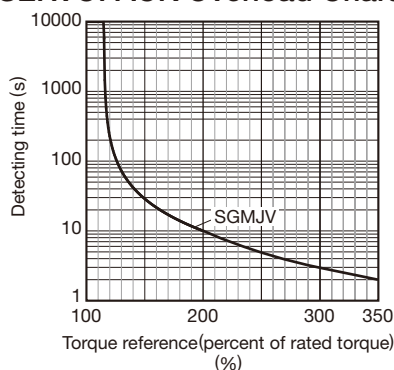
SERVOPACK Model SGDV-□□□□	R70A	R90A	1R6A	2R8A	3R8A	5R5A	7R6A	120A	180A	200A	330A	470A	550A	590A	780A	
Applicable Servomotor Max. Capacity kW	0.05	0.1	0.2	0.4	0.5	0.75	1.0	1.5	2.0	3.0	5.0	6	7.5	11	15	
Continuous Output Current Arms	0.66	0.91	1.6	2.8	3.8	5.5	7.6	11.6	18.5	19.6	32.9	46.9	54.7	58.6	78	
Max. Output Current Arms	2.1	2.9	5.8	9.3	11	16.9	17	28	42	56	84	110	130	140	170	
Regenerative Resistors	None or external				Built-in or external				External							
Main Circuit	Three-phase 200 to 230 VAC+10% to -15% 50/60 Hz															
Control Circuit	Single-phase 200 to 230 VAC+10% to -15% 50/60 Hz															

Three-phase 400 V

SERVOPACK Model SGDV-□□□□	1R9D	3R5D	5R4D	8R4D	120D	170D	210D	260D	280D	370D
Applicable Servomotor Max. Capacity kW	0.5	1.0	1.5	2.0	3.0	5.0	6	7.5	11	15
Continuous Output Current Arms	1.9	3.5	5.4	8.4	11.9	16.5	20.8	25.7	28.1	37.2
Max. Output Current Arms	5.5	8.5	14	20	28	42	55	65	70	85
Regenerative Resistors	Built-in or external						External			
Main Circuit	Three-phase 380 to 480 VAC+10% to -15% 50/60 Hz									
Control Circuit	24 VDC \pm 15%									

Note: The entire over voltage category is III.

● SERVOPACK Overload Characteristics



Note: Overload characteristics shown above do not guarantee continuous duty of 100% or more output. Use a servomotor with effective torque within the continuous duty zone of *Torque-Motor Speed Characteristics*.

*: The dotted line indicates the characteristics of a combination of SGDV-200A SERVOPACKs and SGMGV-30A servomotors.

Specifications

Items		Specifications	
Control Method		IGBT PWM control, sine-wave driven	
Feedback	Rotary Servomotors	Serial encoder: 13-bit (incremental encoder) : 17-bit (incremental/absolute encoder) : 20-bit (incremental/absolute encoder)	
	With Linear Servomotors	Absolute linear scale (The signal resolution varies depending on the absolute linear scale.) Incremental linear scale (The signal resolution varies depending on the incremental linear scale or serial converter unit.)	
Operating Conditions	Ambient Temperature	0 to +55°C	
	Storage Temperature	-20 to +85°C	
	Ambient Humidity	90%RH or less	With no freezing or condensation
	Storage Humidity	90%RH or less	
	Vibration Resistance	4.9 m/s ²	
	Shock Resistance	19.6 m/s ²	
	Protection Class	IP10	An environment that satisfies the following conditions. · Free of corrosive or flammable gases · Free of exposure to water, oil, or chemicals · Free of dust, salts, or iron dust
	Pollution Degree	2	
	Altitude	1000 m or less	
Others	Do not use SERVOPACKs in the following locations: · Locations subject to static electricity noise, strong electromagnetic/magnetic fields, radioactivity		
Applicable Standards		Refer to <i>International Standards</i> on page 454.	
Mounting		Standard: Base-mounted Optional: Rack-mounted, Duct-ventilated	
Performance	Speed Control Range		1:5000 (The lower limit of the speed control range must be lower than the point at which the rated torque does not cause the servomotor to stop.)
	Speed Regulation*1	Load Fluctuation	0% to 100% load: ±0.01% max. (at rated speed)
		Voltage Fluctuation	Rated voltage: ±10% : 0% (at rated speed)
		Temperature Fluctuation	25±25°C : ±0.1% max. (at rated speed)
	Torque Control Tolerance (Repeatability)		±1%
Soft Start Time Setting		0 to 10 s (can be set individually for acceleration and deceleration.)	
Communications	RS-422A Communications	Interface	Digital operator (JUSP-OP05A-1-E), personal computer (can be connected with SigmaWin+)
		1:N communications	RS-422A port: N=15 max. available
		Axis address setting	Set by parameters
	USB Communications	Interface	Personal computer (can be connected with SigmaWin+.)
Communications Standard		Compliant with USB1.1 standard (12 Mbps)	
Display		CHARGE indicator	
Analog Monitor		Number of points: 2 Output voltage: ±10 VDC (linearity effective range ±8 V) Resolution: 16 bit Accuracy: ±20 mV (Typ) Max. output current: ±10 mA Settling time (±1%): 1.2 ms (Typ)	
Dynamic Brake (DB)		Activated when a servo alarm or overtravelling (OT) occurs, or when the power supply for the main circuit or servomotor is OFF.	
Regenerative Processing		Included (For more information, refer to the previous page.)	
Overtravelling (OT) Prevention		Dynamic brake stop at P-OT or N-OT, deceleration to a stop, or free run to a stop	
Protective Functions		Overcurrent, Overvoltage, low voltage, overload, regeneration error, etc.	
Utility Functions		Gain adjustment, alarm history, JOG operation, origin search, etc.	
Safety Functions	Input	/HWBB1, /HWBB2: Baseblock signal for power module	
	Output	EDM1: Status monitor (fixed output) of built-in safety circuit	
	Applicable Standards*2	EN ISO13849-1 PL d (Category 3), IEC61508 SIL2	
Option Module		Fully-closed Module, Safety Module	

*1: Speed regulation by load regulation is defined as follows:

$$\text{Speed regulation} = \frac{\text{No-load motor speed} - \text{Total load motor speed}}{\text{Rated motor speed}} \times 100\%$$

*2: Implement risk assessment and confirm that the safety requirements of the machine have been met.

Specifications

● Rotary Servomotors

Items		Specifications		
I/O Signal	Encoder Output Pulses	Phase A, phase B, phase C: line driver output The number of dividing pulse: Any setting ratio is available.		
	Sequence Input	Fixed Input	SEN signal	
		Input Signals which can be allocated	Number of Channels	7 channels
	Function		<ul style="list-style-type: none"> · Homing deceleration switch signal (/DEC) · External latch signals (/EXT 1 to 3) · Forward run prohibited (P-OT), reverse run prohibited (N-OT) · Forward external torque limit (/P-CL), reverse external torque limit (/N-CL) Positive and negative logic can be changed.	
	Sequence Output	Fixed Output	Servo alarm (ALM)	
		Output Signals which can be allocated	Number of Channels	3 channels
Function	<ul style="list-style-type: none"> · Positioning completion (/COIN) · Speed limit detection (/VLT) · Speed coincidence detection (/V-CMP) · Brake (/BK) · Rotation detection (/TGON) · Warning (/WARN) · Servo ready (/S-RDY) · Near (/NEAR) · Torque limit detection (/CLT) Positive and negative logic can be changed.			
Panel Operator	Display Unit	One 7-segment LED		
	Switch	Rotary switch: 16 positions, DIP switch: 4 poles		
MECHATROLINK Communications	Communications Protocol	MECHATROLINK- II	MECHATROLINK- I	
	Transmission Speed	10 Mbps	4 Mbps	
	Transmission Cycle	250 μs, 0.5 to 4.0 ms (multiple of 0.5 ms)	2 ms	
	Number of Words for Link Transmission	Can be switched between 17-bytes /station and 32-bytes / station.	17-bytes /station	
	Station Address	41H to 5FH (max. number of slaves: 30)		
Command Method	Performance	Position control, speed control, and torque control through MECHATROLINK communications		
	Command Input	MECHATROLINK commands (for sequence, motion, data setting/reference, monitoring, adjustment, and other commands.)		

● Linear Servomotors

Items		Specifications		
I/O Signal	Encoder Output Pulses	Phase A, phase B, phase C: line driver output The number of dividing pulse: Any setting ratio is available.		
	Sequence Input	Fixed Input	SEN signal	
		Input Signals which can be allocated	Number of Channels	7 channels
	Function		<ul style="list-style-type: none"> · Homing deceleration switch signal (/DEC) · External latch signals (/EXT 1 to 3) · Forward run prohibited (P-OT), reverse run prohibited (N-OT) · Forward external force limit (/P-CL), reverse external force limit (/N-CL) Positive and negative logic can be changed.	
	Sequence Output	Fixed Output	Servo alarm (ALM)	
		Output Signals which can be allocated	Number of Channels	3 channels
Function	<ul style="list-style-type: none"> · Positioning completion (/COIN) · Speed limit detection (/VLT) · Speed coincidence detection (/V-CMP) · Brake (/BK) · Servomotor movement detection (/TGON) · Warning (/WARN) · Servo ready (/S-RDY) · Near (/NEAR) · Force limit detection (/CLT) Positive and negative logic can be changed.			
Panel Operator	Display Unit	One 7-segment LED		
	Switch	Rotary switch: 16 positions, piano switch: 4 poles		
MECHATROLINK Communications	Communications Protocol	MECHATROLINK- II	MECHATROLINK- I	
	Transmission Speed	10 Mbps	4 Mbps	
	Transmission Cycle	250 μs, 0.5 to 4.0 ms (multiple of 0.5 ms)	2 ms	
	Number of Words for Link Transmission	Can be switched between 17-bytes /station and 32-bytes / station.	17-bytes /station	
	Station Address	41H to 5FH (max. number of slaves: 30)		
Command Method	Performance	Position control, speed control, and force control through MECHATROLINK- II communications		
	Command Input	MECHATROLINK commands and MECHATROLINK- II commands (for sequence, motion, data setting/reference, monitoring, adjustment, and other commands.)		

Power Supply Capacities and Power Losses

The following table shows SERVOPACK's power supply capacities and power losses at the rated output.

Main Circuit Power Supply	Applicable Servomotor Max. Capacity kW	SERVOPACK Model SGD V-	Power Supply Capacity kVA	Output Current Arms	Main Circuit Power Loss W	Regenerative Resistor Power Loss	Control Circuit Power Loss W	Total Power Loss W
						W		
Signal-phase 100 V	0.05	R70F	0.2	0.66	5.4	—	17	22.4
	0.1	R90F	0.3	0.91	7.8			24.8
	0.2	2R1F	0.7	2.1	14.4			31.4
	0.4	2R8F	1.4	2.8	25.6			42.6
Single-phase 200 V	0.05	R70A	0.2	0.66	5.2	—	17	22.2
	0.1	R90A	0.3	0.91	7.4			24.4
	0.2	1R6A	0.7	1.6	13.7			30.7
	0.4	2R8A	1.2	2.8	24.9			41.9
	0.75	5R5A	1.9	5.5	52.7			8
	1.5	120A	4	11.6	68.2	10	22	100.2
Three-phase 200 V	0.05	R70A	0.2	0.66	5.1	—	17	22.1
	0.1	R90A	0.3	0.91	7.3			24.3
	0.2	1R6A	0.6	1.6	13.5			30.5
	0.4	2R8A	1	2.8	24.0			41.0
	0.5	3R8A	1.4	3.8	20.1			45.1
	0.75	5R5A	1.6	5.5	43.8	8	68.8	
	1.0	7R6A	2.3	7.6	53.6	10	22	78.6
	1.5	120A	3.2	11.6	65.8			97.8
	2.0	180A	4	18.5	111.9	16	27	149.9
	3.0	200A	5.9	19.6	113.8			161.4
	5.0	330A	7.5	32.9	263.7	36	33	326.7
	6.0	470A	10.7	46.9	279.4	(180)*1		312.4
	7.5	550A	14.6	54.7	357.8	(350)*2	48	390.8
	11	590A	21.7	58.6	431.7			479.7
15	780A	29.6	78	599.0	647.0			
Three-phase 400 V	0.5	1R9D	1.1	1.9	24.6	14	21	59.6
	1.0	3R5D	2.3	3.5	46.1			81.1
	1.5	5R4D	3.5	5.4	71.3			106.3
	2.0	8R4D	4.5	8.4	77.9	28	25	130.9
	3.0	120D	7.1	11.9	108.7			161.7
	5.0	170D	11.7	16.5	161.1	36	24	221.1
	6.0	210D	12.4	20.8	172.7			199.7
	7.5	260D	14.4	25.7	218.6	(180)*3	27	245.6
	11	280D	21.9	28.1	294.6	(350)*4		30
15	370D	30.6	37.2	403.8	433.8			

*1: For the optional JUSP-RA04-E regenerative resistor unit.

*2: For the optional JUSP-RA05-E regenerative resistor unit.

*3: For the optional JUSP-RA18-E regenerative resistor unit.

*4: For the optional JUSP-RA19-E regenerative resistor unit.

Notes: 1 SGD V-R70F, -R90F, -2R1F, -2R8F, -R70A, -R90A, -1R6A, and -2R8A SERVOPACKs do not have built-in regenerative resistors.

If the regenerative energy exceeds the specified value, connect an external regenerative resistor (optional).

2 SGD V-470A, -550A, -590A, -780A, -210D, -260D, -280D, -370D SERVOPACKs do not have built-in regenerative resistors.

Be sure to connect a regenerative resistor unit or an external regenerative resistor. For selection details, refer to page 375.

3 Regenerative resistor power losses are allowable losses. Take the following action if this value is exceeded.

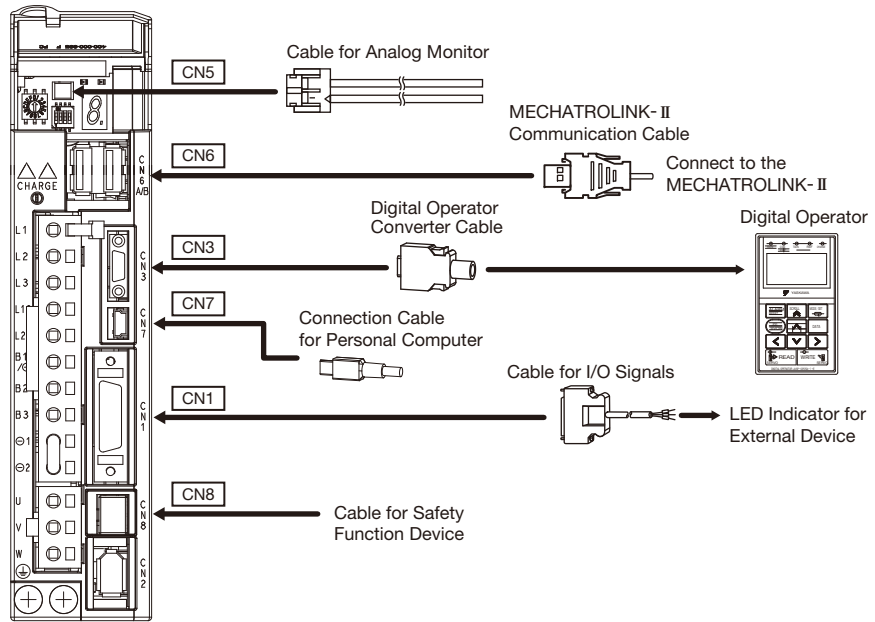
· Remove the lead or short bar that is short-circuiting the SERVOPACK main circuit terminal B2 and B3.


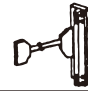
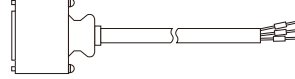

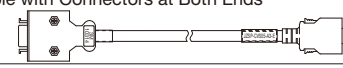
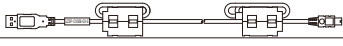

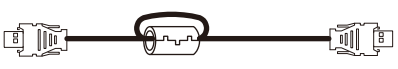


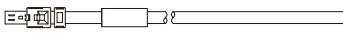
(SGDV-3R8A, -5R5A, -7R6A, -120A, -180A, -200A, -330A, or 400-V class SERVOPACKs.)

· Install an external regenerative resistor (optional). For selection details, refer to page 375.

Selecting Cables

- Cables for **CN1** **CN3** **CN5** **CN6** **CN7** **CN8** (MECHATROLINK-II Communications Reference SERVOPACKs)



Name	Length	Order No.	Specifications	Details	
CN1 Cables for I/O Signals	Connector Kit	JZSP-CSI9-2-E	Soldered 	(1)	
	Connector Terminal Converter Unit	0.5 m	JUSP-TA26P-E	Terminal Block and Connection Cable 	(2)
		1 m	JUSP-TA26P-1-E		
		2 m	JUSP-TA26P-2-E		
	Cable with Loose wire at One End	1 m	JZSP-CSI02-1-E		(3)
		2 m	JZSP-CSI02-2-E		
3 m		JZSP-CSI02-3-E			
CN3	Digital Operator	JUSP-OP05A-1-E	With Connection Cable (1 m) 	(4)	
	Digital Operator Converter Cable*1	0.3 m	JZSP-CVS05-A3-E	Cable with Connectors at Both Ends 	(5)
CN7 Connection Cables for Personal Computer	2.5 m	JZSP-CVS06-02-E	Cable with Connectors at Both Ends 	(10)	
CN6A CN6B MECHATROLINK-II Communication Cable	Cables with Connectors at Both Ends	0.5 to 50 m	JEPMC-W6002-□□-E	 (7)	
	Cables with Connectors at Both Ends (with Ferrite Core)	0.5 to 50 m	JEPMC-W6003-□□-E	 (8)	
	Terminator		JEPMC-W6022-E	 (9)	
CN5 Cables for Analog Monitor	1 m	JZSP-CA01-E	SERVOPACK End 	(6)	
CN8 Cable for Safety Function Device	Cables with Connector*2	1 m	JZSP-CVH03-01-E	 (11)	
	3 m	JZSP-CVH03-03-E			
	Connector kit*3	Contact Tyco Electronics Japan G.K. Product name : Industrial Mini I/O D-shape Type1 Plug Connector Kit Model : 2013595-1			

*1 : A converter cable is required to use Σ -III series digital operators (model: JUSP-OP05A) for Σ -V series SERVOPACKs.
 *2 : When using the safety function, connect this cable to the safety devices.
 Even when not using the safety function, use SERVOPACKs with the Safe Jumper Connector (model: JZSP-CVH05-E) connected.
 *3 : Use the connector kit when you make cables yourself.

Selecting Cables

(1) Connector Kit for CN1

Use the following connector and cable to assemble the cable.
The CN1 connector kit includes one case and one connector.

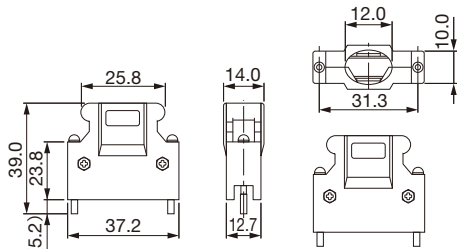
Connector Kit Model	Case		Connector	
	Model	Qty	Model	Qty
JZSP-CSI9-2-E	10326-52A0-008*	1 set	10126-3000PE* (Soldered)	1

* : Manufactured by 3M Japan Ltd.

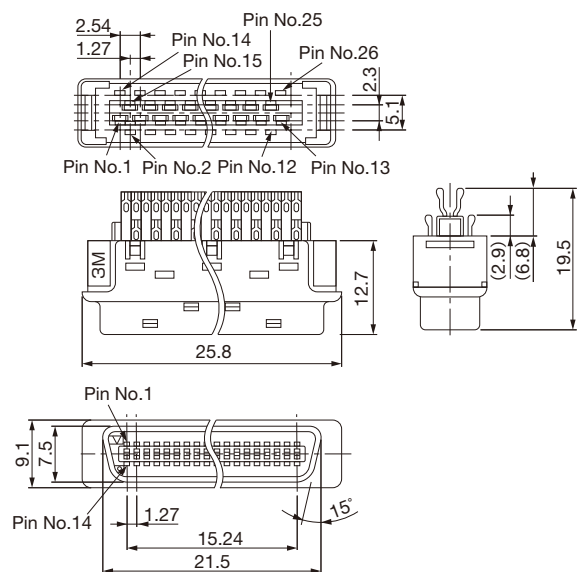
• Cable Size

Item	Specifications
Cable	Use twisted-pair or twisted-pair shielded wire.
Applicable Wires	AWG24, 26, 28, 30
Cable Finished Diameter	16 dia. max.

• External Dimensions of Case (Units: mm)

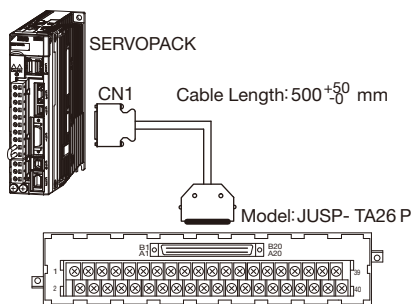


• External Dimensions of Connector (Units: mm)

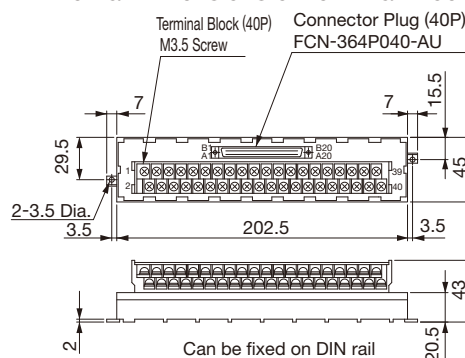


(2) Connector Terminal Converter Unit for CN1

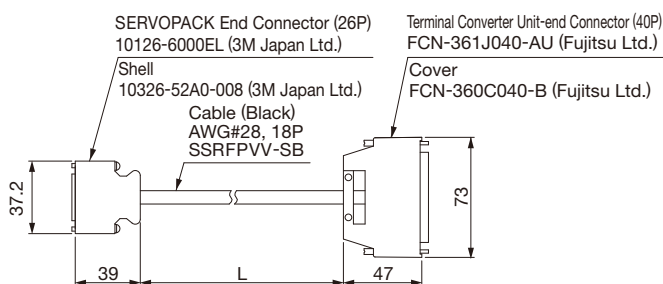
• Configurations



• External Dimensions of Terminal Block (Units: mm)



• External Dimensions of Cable (Units: mm)



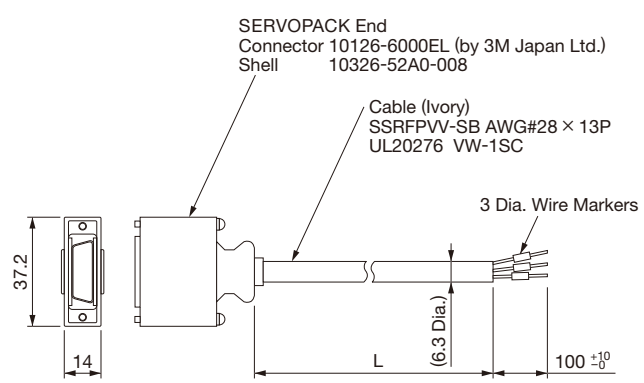
Model	Cable Length (L)	Approx. Mass
JUSP-TA26P-E	0.5 m	100 g
JUSP-TA26P-1-E	1 m	200 g
JUSP-TA26P-2-E	2 m	400 g

Note: The pin number in the SERVOPACK connector and the pin number in the terminal block are the same. Pin numbers 1 to 26 are used in the terminal block. Do not use a pin number of 27 or higher.

If assembling cables, refer to ● Cable with Loose Wires at One End for CN1 Connection Diagram of JZSP-CSI02-□-E Cable on the next page.

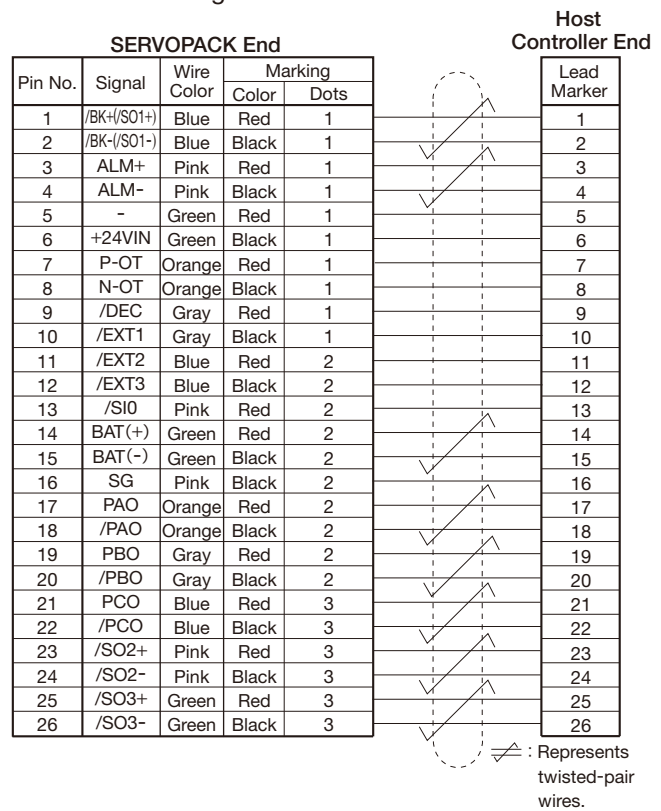
Selecting Cables

(3) Cable with Loose Wires at One End for CN1 · External Dimensions (Units: mm)

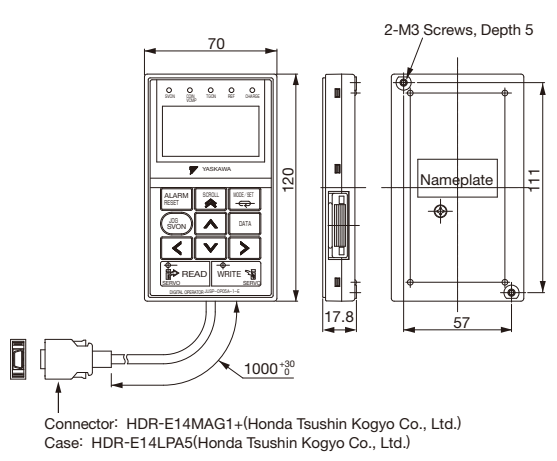


Model	Cable Length
JZSP-CSI02-1-E	1 m
JZSP-CSI02-2-E	2 m
JZSP-CSI02-3-E	3 m

● Cable with Loose Wires at One End for CN1 Connection Diagram of JZSP-CSI02-□-E Cable



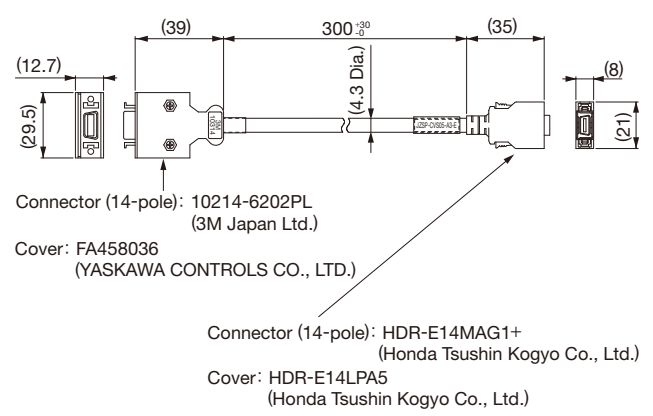
(4) Digital Operator (Model: JUSP-OP05A-1-E) (Units: mm)



(5) Digital Operator Converter Cable for CN3 (Model: JZSP-CVS05-A3-E)

A converter cable is required to use Σ -III series digital operators (model: JUSP-OP05A) for Σ -V series SERVOPACKs.

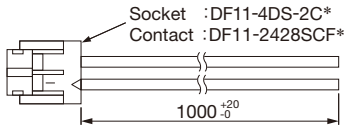
· External Dimensions (Units: mm)



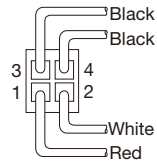
Selecting Cables

(6) Cable for Analog Monitor for CN5 (Model: JZSP-CA01-E)

- External Dimensions (Units: mm)



* : Manufactured by Hirose Electric Corporation.



View from Cable End

- Specifications

Pin No.	Cable Color	Signal	Standard Settings
1	Red	Analog Monitor 2	Motor speed : 1V/1000 min ⁻¹
2	White	Analog Monitor 1	Torque reference : 1V/100% rated torque
3, 4	Black (2 cables)	GND(0V)	—

Note : The specifications above are factory settings. Monitor specifications can be changed by changing parameters Pn006 and Pn007.

(7) Cable with Connectors at Both Ends for CN6 (Model: JEPMC-W6002-□□-E)

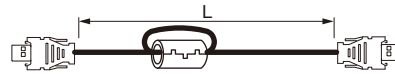
- External Dimensions (Units: mm)



Model	Cable Length(L)
JEPMC-W6002-A5-E	0.5 m
JEPMC-W6002-01-E	1.0 m
JEPMC-W6002-03-E	3.0 m
JEPMC-W6002-05-E	5.0 m
JEPMC-W6002-10-E	10.0 m
JEPMC-W6002-20-E	20.0 m
JEPMC-W6002-30-E	30.0 m
JEPMC-W6002-40-E	40.0 m
JEPMC-W6002-50-E	50.0 m

(8) Cable with Connectors at Both Ends (with Ferrite Core) for CN6 (Model: JEPMC-W6003-□□-E)

- External Dimensions (Units: mm)



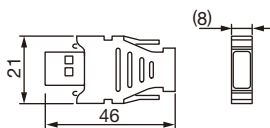
Model	Cable Length (L)
JEPMC-W6003-A5-E	0.5 m
JEPMC-W6003-01-E	1.0 m
JEPMC-W6003-03-E	3.0 m
JEPMC-W6003-05-E	5.0 m
JEPMC-W6003-10-E	10.0 m
JEPMC-W6003-20-E	20.0 m
JEPMC-W6003-30-E	30.0 m
JEPMC-W6003-40-E	40.0 m
JEPMC-W6003-50-E	50.0 m

IMPORTANT

Use a MECHATROLINK-II communications cable specified by Yaskawa. When using other cables, noise resistance may be reduced, and operation cannot be guaranteed.

(9) MECHATROLINK-II Terminator for CN6 (Model : JEPMC-W6022-E)

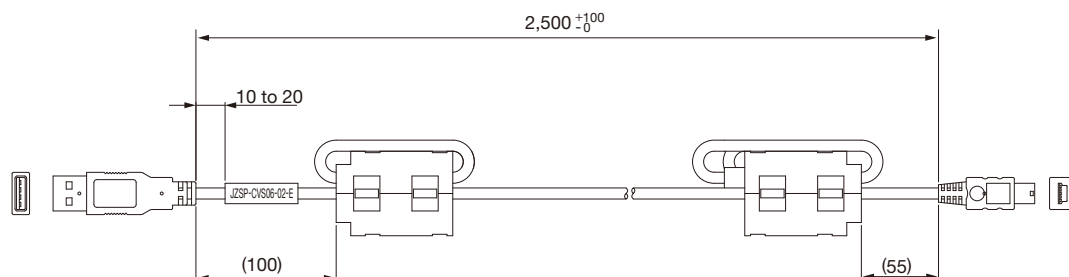
- External Dimensions (Units: mm)



Selecting Cables

(10) Connection Cable for Personal Computer for CN7 (Model: JZSP-CVS06-02-E)

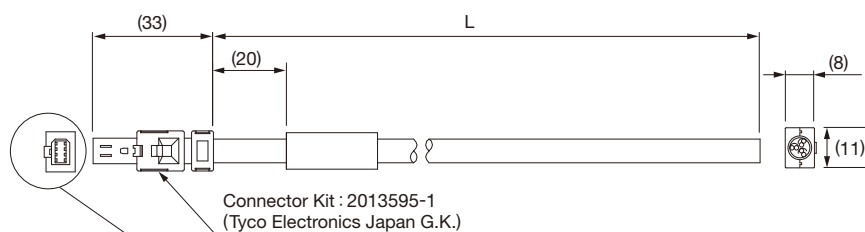
• External Dimensions (Units: mm)



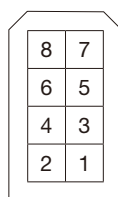
IMPORTANT Use a cable specified by Yaskawa.
 When using other cables, operation cannot be guaranteed.

(11) Cable with Connector for CN8

• External Dimensions (Units: mm)



Pin Layout



Model	Cable Length (L)
JZSP-CVH03-01-E	1 m
JZSP-CVH03-03-E	3 m

• Specifications

Pin No.	Signal	Lead Color	Marking Color
1	Not used	—	—
2	Not used	—	—
3	/HWBB1-	White	Black
4	/HWBB1+	White	Red
5	/HWBB2-	Gray	Black
6	/HWBB2+	Gray	Red
7	EDM1-	Orange	Black
8	EDM1+	Orange	Red

MECHATROLINK-III Communications Reference SERVOPACKs

SGDV-□□□□21
(For Rotary Servomotors)

SGDV-□□□□25
(For Linear Servomotors)



Model Designations

S G D V - R70 A 21 B 000 00 0

Σ-V Series
SGDV
SERVOPACK
1st+2nd+3rd digits
4th digit
5th+6th digits
7th digit
8th+9th+10th digits
11th+12th digits
13th digit

1st+2nd+3rd digits Current

Voltage	Code	Applicable Servomotor Max. Capacity kW
Single-phase 100 V	R70	0.05
	R90	0.1
	2R1	0.2
	2R8	0.4
Three-phase 200 V	R70*1	0.05
	R90*1	0.1
	1R6*1	0.2
	2R8*1	0.4
	3R8	0.5
	5R5*1	0.75
	7R6	1.0
	120*2	1.5
	180	2.0
	200	3.0
	330	5.0
	470	6.0
	550	7.5
590	11	
780	15	
Three-phase 400 V	1R9	0.5
	3R5	1.0
	5R4	1.5
	8R4	2.0
	120	3.0
	170	5.0
	210	6.0
	260	7.5
	280	11
370	15	

4th digit Power Supply Voltage

Code	Specifications
F	Single-phase 100 VAC
A	Three-phase 200 VAC
D	Three-phase 400 VAC

5th+6th digits Interface

Code	Specifications
21	MECHATROLINK-III communications Reference (for rotary servomotors)
25	MECHATROLINK-III communications Reference (for linear servomotors)

7th digit Design Revision Order

A, B...

Design revision order is B for the following models.

- SGDV-R70A□□□□B
- SGDV-R90A□□□□B
- SGDV-1R6A□□□□B
- SGDV-2R8A□□□□B

8th+9th+10th digits Options (hardware)

Code	Specifications
000	Base-mounted (standard)
001	Rack-mounted*3
002	Varnished
003	Rack-mounted*3 and Varnished
008	Single-phase 200 VAC input (Model: SGDV-120A21A008000)
020	Dynamic brake (DB)*4

11th+12th digits Options (software)

Code	Specifications
00	Standard

13th digit Options (parameter)

Code	Specifications
0	Standard

*1: These amplifiers can be powered with single or three-phase.

*2: Single-phase 200 VAC SERVOPACKs are also available. (Model: SGDV-120A21A008000)

*3: SERVOPACKs of 6 kW or more are duct-ventilated.

*4: Without any dynamic brake. For 400 VAC models, an external dynamic brake can be installed.

Note: If the option codes digits 8 to 13 are all zeros, they are omitted.

Contact your Yaskawa representative for information on combining options.

Features

- **Real-time communications**

MECHATROLINK-III communications enable high-speed control for 62 stations at a transmission speed of 100 Mbps in a transmission cycle from 125 μ s to 4 ms (set by the host controller). Such a high transmission speed allows real-time transmission of various data required for control.

- **Cost savings**

The 62 stations can be connected to a single MECHATROLINK-III transmission line, so wiring costs and time are greatly reduced. Also, only one signal connector is required on the host controller. And, the all-digital network eliminates the need for conversion from digital to analog for speed/torque references and for a pulse generator to generate position references.

- **High-precision motion control**

The SGD V SERVOPACK when connected to the host controller in the MECHATROLINK-III network provides not only torque, position, and speed control but also synchronized phase control that requires advanced control technology. The control mode can be changed online so that the machine can move smoothly in complex motions with great efficiency.

AC

M-III

Ratings

Single-phase 100 V

SERVOPACK Model SGD V-□□□□	R70F	R90F	2R1F	2R8F
Applicable Servomotor Max. Capacity kW	0.05	0.1	0.2	0.4
Continuous Output Current Arms	0.66	0.91	2.1	2.8
Max. Output Current Arms	2.1	2.9	6.5	9.3
Regenerative Resistors	None or external			
Main Circuit	Single-phase 100 to 115 VAC+10% to -15% 50/60 Hz			
Control Circuit	Single-phase 100 to 115 VAC+10% to -15% 50/60 Hz			

Single-phase 200 V

SERVOPACK Model SGD V-□□□□	R70A	R90A	1R6A	2R8A	5R5A	120A*
Applicable Servomotor Max. Capacity kW	0.05	0.1	0.2	0.4	0.75	1.5
Continuous Output Current Arms	0.66	0.91	1.6	2.8	5.5	11.6
Max. Output Current Arms	2.1	2.9	5.8	9.3	16.9	28
Regenerative Resistors	None or external				Built-in or external	
Main Circuit	Single-phase 200 to 230 VAC+10% to -15% 50/60 Hz					
Control Circuit	Single-phase 200 to 230 VAC+10% to -15% 50/60 Hz					

*: The rated voltage is 220 to 230 VAC for the SGD V-120A21A008000 SERVOPACK.

Three-phase 200 V

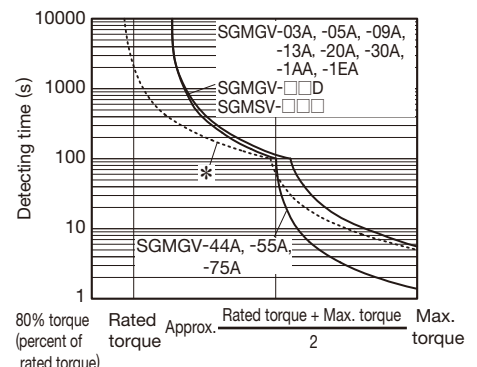
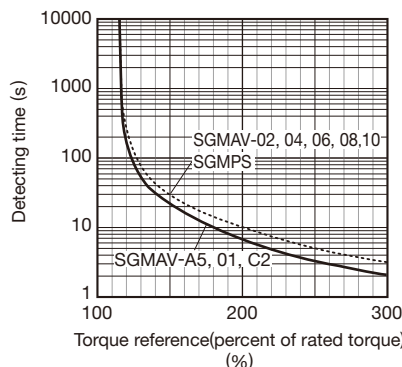
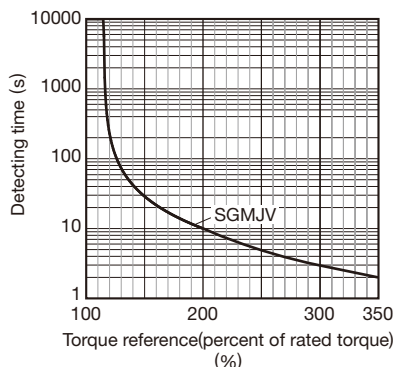
SERVOPACK Model SGD V-□□□□	R70A	R90A	1R6A	2R8A	3R8A	5R5A	7R6A	120A	180A	200A	330A	470A	550A	590A	780A	
Applicable Servomotor Max. Capacity kW	0.05	0.1	0.2	0.4	0.5	0.75	1.0	1.5	2.0	3.0	5.0	6	7.5	11	15	
Continuous Output Current Arms	0.66	0.91	1.6	2.8	3.8	5.5	7.6	11.6	18.5	19.6	32.9	46.9	54.7	58.6	78	
Max. Output Current Arms	2.1	2.9	5.8	9.3	11	16.9	17	28	42	56	84	110	130	140	170	
Regenerative Resistors	None or external				Built-in or external						External					
Main Circuit	Three-phase 200 to 230 VAC+10% to -15% 50/60 Hz															
Control Circuit	Single-phase 200 to 230 VAC+10% to -15% 50/60 Hz															

Three-phase 400 V

SERVOPACK Model SGD V-□□□□	1R9D	3R5D	5R4D	8R4D	120D	170D	210D	260D	280D	370D
Applicable Servomotor Max. Capacity kW	0.5	1.0	1.5	2.0	3.0	5.0	6	7.5	11	15
Continuous Output Current Arms	1.9	3.5	5.4	8.4	11.9	16.5	20.8	25.7	28.1	37.2
Max. Output Current Arms	5.5	8.5	14	20	28	42	55	65	70	85
Regenerative Resistors	Built-in or external						External			
Main Circuit	Three-phase 380 to 480 VAC+10% to -15% 50/60 Hz									
Control Circuit	24 VDC \pm 15%									

Note: The entire over voltage category is III.

- **SERVOPACK Overload Characteristics**



Note: Overload characteristics shown above do not guarantee continuous duty of 100% or more output. Use a servomotor with effective torque within the continuous duty zone of *Torque-Motor Speed Characteristics*.

*: The dotted line indicates the characteristics of a combination of SGD V-200A SERVOPACKs and SGMGV-30A servomotors.

Specifications

Items		Specifications	
Control Method		IGBT PWM control, sine-wave driven	
Feedback	Rotary Servomotors	Serial encoder: 13-bit (incremental encoder) : 17-bit (incremental/absolute encoder) : 20-bit (incremental/absolute encoder)	
	With Linear Servomotors	Absolute linear scale (The signal resolution varies depending on the absolute linear scale.) Incremental linear scale (The signal resolution varies depending on the incremental linear scale or serial converter unit.)	
Operating Conditions	Ambient Temperature	0 to +55°C	
	Storage Temperature	-20 to +85°C	
	Ambient Humidity	90%RH or less	
	Storage Humidity	90%RH or less	
	Vibration Resistance	4.9 m/s ²	
	Shock Resistance	19.6 m/s ²	
	Protection Class	IP10	An environment that satisfies the following conditions. · Free of corrosive or flammable gases · Free of exposure to water, oil, or chemicals · Free of dust, salts, or iron dust
	Pollution Degree	2	
	Altitude	1000 m or less	
Others	Do not use SERVOPACKs in the following locations: · Locations subject to static electricity noise, strong electromagnetic/magnetic fields, radioactivity		
Applicable Standards		Refer to <i>International Standards</i> on page 454.	
Mounting		Standard: Base-mounted Optional: Rack-mounted, Duct-ventilated	
Performance	Speed Control Range		1:5000 (The lower limit of the speed control range must be lower than the point at which the rated torque does not cause the servomotor to stop.)
	Speed Regulation*1	Load Fluctuation	0% to 100% load: ±0.01% max. (at rated speed)
		Voltage Fluctuation	Rated voltage: ±10% : 0% (at rated speed)
		Temperature Fluctuation	25±25°C : ±0.1% max. (at rated speed)
	Torque Control Tolerance (Repeatability)		±1%
Soft Start Time Setting		0 to 10 s (can be set individually for acceleration and deceleration.)	
Communications	RS-422A Communications	Interface	Digital operator (JUSP-OP05A-1-E), personal computer (can be connected with SigmaWin+)
		1:N communications	RS-422A port: N=15 max. available
		Axis address setting	Set by parameters
	USB Communications	Interface	Personal computer (can be connected with SigmaWin+.)
	Communications Standard	Compliant with USB1.1 standard (12 Mbps)	
Display		CHARGE indicator	
Analog Monitor		Number of points: 2 Output voltage: ±10 VDC (linearity effective range ±8 V) Resolution: 16 bit Accuracy: ±20 mV (Typ) Max. output current: ±10 mA Settling time (±1%): 1.2 ms (Typ)	
Dynamic Brake (DB)		Activated when a servo alarm or overtravelling (OT) occurs, or when the power supply for the main circuit or servomotor is OFF.	
Regenerative Processing		Included (For more information, refer to the previous page.)	
Overtravelling (OT) Prevention		Dynamic brake stop at P-OT or N-OT, deceleration to a stop, or free run to a stop	
Protective Functions		Overcurrent, Overvoltage, low voltage, overload, regeneration error, etc.	
Utility Functions		Gain adjustment, alarm history, JOG operation, origin search, etc.	
Safety Functions	Input	/HWBB1, /HWBB2: Baseblock signal for power module	
	Output	EDM1: Status monitor (fixed output) of built-in safety circuit	
	Applicable Standards*2	EN ISO13849-1 PL d (Category 3), IEC61508 SIL2	
Option Module		Fully-closed Module, Safety Module	

*1: Speed regulation by load regulation is defined as follows:

$$\text{Speed regulation} = \frac{\text{No-load motor speed} - \text{Total load motor speed}}{\text{Rated motor speed}} \times 100\%$$

*2: Implement risk assessment and confirm that the safety requirements of the machine have been met.

Specifications

● Rotary Servomotors

Items		Specifications	
I/O Signal	Encoder Output Pulses		Phase A, phase B, phase C: line driver output The number of dividing pulse: Any setting ratio is available.
	Sequence Input	Fixed Input	SEN signal
		Input Signals which can be allocated	Number of Channels
	Function		<ul style="list-style-type: none"> · Homing deceleration switch signal (/DEC) · External latch signals (/EXT 1 to 3) · Forward run prohibited (P-OT), reverse run prohibited (N-OT) · Forward external torque limit (/P-CL), reverse external torque limit (/N-CL) Positive and negative logic can be changed.
	Sequence Output	Fixed Output	Servo alarm (ALM)
		Output Signals which can be allocated	Number of Channels
Function	<ul style="list-style-type: none"> · Positioning completion (/COIN) · Speed limit detection (/VLT) · Speed coincidence detection (/V-CMP) · Brake (/BK) · Rotation detection (/TGON) · Warning (/WARN) · Servo ready (/S-RDY) · Near (/NEAR) · Torque limit detection (/CLT) Positive and negative logic can be changed.		
Panel Operator		Display Unit	One 7-segment LED (red) and three LED indicators for MECHATROLINK communications (green)
		Switch	Rotary switch: 16 positions×2, DIP switch: 4 poles
MECHATROLINK Communications		Communications Protocol	MECHATROLINK-III
		Transmission Speed	100 Mbps
		Transmission Cycle	125 μs, 250 μs, 500 μs, 750 μs, 1 ms to 4 ms (increments of 0.5 ms)
		Number of Words for Link Transmission	Can be switched between 16-bytes/station, 32-bytes/station and 48-bytes/station.
Command Method		Station Address	03H to EFH (max. number of slaves: 62)
		Performance	Position control, speed control, and torque control through MECHATROLINK communications
		Command Input	MECHATROLINK commands (for sequence, motion, data setting/reference, monitoring, adjustment, and other commands.)

● Linear Servomotors

Items		Specifications	
I/O Signal	Encoder Output Pulses		Phase A, phase B, phase C: line driver output The number of dividing pulse: Any setting ratio is available.
	Sequence Input	Fixed Input	SEN signal
		Input Signals which can be allocated	Number of Channels
	Function		<ul style="list-style-type: none"> · Homing deceleration switch signal (/DEC) · External latch signals (/EXT 1 to 3) · Forward run prohibited (P-OT), reverse run prohibited (N-OT) · Forward external force limit (/P-CL), reverse external force limit (/N-CL) Positive and negative logic can be changed.
	Sequence Output	Fixed Output	Servo alarm (ALM)
		Output Signals which can be allocated	Number of Channels
Function	<ul style="list-style-type: none"> · Positioning completion (/COIN) · Speed limit detection (/VLT) · Speed coincidence detection (/V-CMP) · Brake (/BK) · Servomotor movement detection (/TGON) · Warning (/WARN) · Servo ready (/S-RDY) · Near (/NEAR) · Force limit detection (/CLT) Positive and negative logic can be changed.		
Panel Operator		Display Unit	One 7-segment LED (red) and three LED indicators for MECHATROLINK communications (green)
		Switch	Rotary switch: 16 positions×2, DIP switch: 4 poles
MECHATROLINK Communications		Communications Protocol	MECHATROLINK-III
		Transmission Speed	100 Mbps
		Transmission Cycle	125 μs, 250 μs, 500 μs, 750 μs, 1 ms to 4 ms (increments of 0.5 ms)
		Number of Words for Link Transmission	Can be switched between 16-bytes/station, 32-bytes/station and 48-bytes/station.
Command Method		Station Address	03H to EFH (max. number of slaves: 62)
		Performance	Position control, speed control, and force control through MECHATROLINK communications
		Command Input	MECHATROLINK commands (for sequence, motion, data setting/reference, monitoring, adjustment, and other commands.)

Power Supply Capacities and Power Losses

The following table shows SERVOPACK's power supply capacities and power losses at the rated output.

Main Circuit Power Supply	Applicable Servomotor Max. Capacity kW	SERVOPACK Model SGD V-	Power Supply Capacity kVA	Output Current Arms	Main Circuit Power Loss W	Regenerative Resistor Power Loss	Control Circuit Power Loss W	Total Power Loss W
						W		
Signal-phase 100 V	0.05	R70F	0.2	0.66	5.4	—	17	22.4
	0.1	R90F	0.3	0.91	7.8			24.8
	0.2	2R1F	0.7	2.1	14.4			31.4
	0.4	2R8F	1.4	2.8	25.6			42.6
Single-phase 200 V	0.05	R70A	0.2	0.66	5.2	—	17	22.2
	0.1	R90A	0.3	0.91	7.4			24.4
	0.2	1R6A	0.7	1.6	13.7			30.7
	0.4	2R8A	1.2	2.8	24.9			41.9
	0.75	5R5A	1.9	5.5	52.7	8	77.7	
	1.5	120A	4	11.6	68.2	10	22	100.2
Three-phase 200 V	0.05	R70A	0.2	0.66	5.1	—	17	22.1
	0.1	R90A	0.3	0.91	7.3			24.3
	0.2	1R6A	0.6	1.6	13.5			30.5
	0.4	2R8A	1	2.8	24.0			41.0
	0.5	3R8A	1.4	3.8	20.1			45.1
	0.75	5R5A	1.6	5.5	43.8	8	68.8	
	1.0	7R6A	2.3	7.6	53.6	10	22	78.6
	1.5	120A	3.2	11.6	65.8			97.8
	2.0	180A	4	18.5	111.9			149.9
	3.0	200A	5.9	19.6	113.8	16	27	161.4
	5.0	330A	7.5	32.9	263.7	36	33	326.7
	6.0	470A	10.7	46.9	279.4	(180)*1	33	312.4
	7.5	550A	14.6	54.7	357.8	(350)*2		390.8
	11	590A	21.7	58.6	431.7		479.7	
	15	780A	29.6	78	599.0		48	647.0
Three-phase 400 V	0.5	1R9D	1.1	1.9	24.6	14	21	59.6
	1.0	3R5D	2.3	3.5	46.1			81.1
	1.5	5R4D	3.5	5.4	71.3			106.3
	2.0	8R4D	4.5	8.4	77.9	28	25	130.9
	3.0	120D	7.1	11.9	108.7			161.7
	5.0	170D	11.7	16.5	161.1	36	24	221.1
	6.0	210D	12.4	20.8	172.7	(180)*3	27	199.7
	7.5	260D	14.4	25.7	218.6			245.6
	11	280D	21.9	28.1	294.6	(350)*4	30	324.6
	15	370D	30.6	37.2	403.8			433.8

*1: For the optional JUSP-RA04-E regenerative resistor unit.

*2: For the optional JUSP-RA05-E regenerative resistor unit.

*3: For the optional JUSP-RA18-E regenerative resistor unit.

*4: For the optional JUSP-RA19-E regenerative resistor unit.

Notes: 1 SGD V-R70F, -R90F, -2R1F, -2R8F, -R70A, -R90A, -1R6A, and -2R8A SERVOPACKs do not have built-in regenerative resistors.

If the regenerative energy exceeds the specified value, connect an external regenerative resistor (optional).

2 SGD V-470A, -550A, -590A, -780A, -210D, -260D, -280D, -370D SERVOPACKs do not have built-in regenerative resistors.

Be sure to connect a regenerative resistor unit or an external regenerative resistor. For selection details, refer to page 375.

3 Regenerative resistor power losses are allowable losses. Take the following action if this value is exceeded.

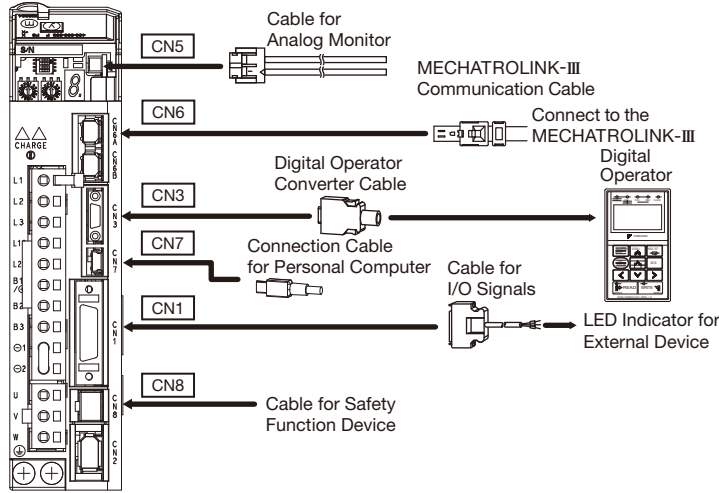
· Remove the lead or short bar that is short-circuiting the SERVOPACK main circuit terminal B2 and B3.



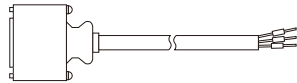








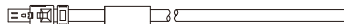
(SGDV-3R8A, -5R5A, -7R6A, -120A, -180A, -200A, -330A, or 400-V class SERVOPACKs.)

· Install an external regenerative resistor (optional). For selection details, refer to page 375.

Selecting Cables

- Cables for **CN1** **CN3** **CN5** **CN6** **CN7** **CN8** (MECHATROLINK-III Communications Reference SERVOPACKs)



Name		Length	Order No.	Specifications	Details
CN1 Cables for I/O Signals	Connector Kit		JZSP-CSI9-2-E	Soldered 	(1)
	Connector Terminal Converter Unit	0.5 m	JUSP-TA26P-E	Terminal Block and Connection Cable 	(2)
		1 m	JUSP-TA26P-1-E		
		2 m	JUSP-TA26P-2-E		
	Cable with Loose wire at One End	1 m	JZSP-CSI02-1-E		(3)
		2 m	JZSP-CSI02-2-E		
3 m		JZSP-CSI02-3-E			
CN3	Digital Operator		JUSP-OP05A-1-E	With Connection Cable (1 m) 	(4)
	Digital Operator Converter Cable	0.3 m	JZSP-CVS05-A3-E*1	Cable with Connectors at Both Ends 	(5)
			JZSP-CVS07-A3-E*2	With Lock Screws 	(6)
CN7 Connection Cables for Personal Computer		2.5 m	JZSP-CVS06-02-E	Cable with Connectors at Both Ends 	(7)
CN6A CN6B MECHATROLINK-III Communication Cable	Cables with Connectors at Both Ends	0.2 to 50 m	JEPMC-W6012-□□-E		(8)
	Cables with Connectors at Both Ends (With Ferrite Core)	10 to 50 m	JEPMC-W6013-□□-E		(9)
	Cable with Loose Wire at One End	0.5 to 50 m	JEPMC-W6014-□□-E		(10)
CN5 Cables for Analog Monitor		1 m	JZSP-CA01-E	SERVOPACK End 	(11)
CN8 Cable for Safety Function Device	Cables with Connector*3	1 m	JZSP-CVH03-01-E		(12)
	Connector kit*4	3 m	JZSP-CVH03-03-E		
			Contact Tyco Electronics Japan G.K. Product name : Industrial Mini I/O D-shape Type1 Plug Connector Kit Model : 2013595-1		

*1 : A converter cable is required to use Σ -III series digital operators (model: JUSP-OP05A) for Σ -V series SERVOPACKs.
 *2 : A converter cable with lock screws is required to securely connect the digital operator cable.
 *3 : When using the safety function, connect this cable to the safety devices.
 Even when not using the safety function, use SERVOPACKs with the Safe Jumper Connector (model: JZSP-CVH05-E) connected.
 *4 : Use the connector kit when you make cables yourself.

Selecting Cables

(1) Connector Kit for CN1

Use the following connector and cable to assemble the cable.
The CN1 connector kit includes one case and one connector.

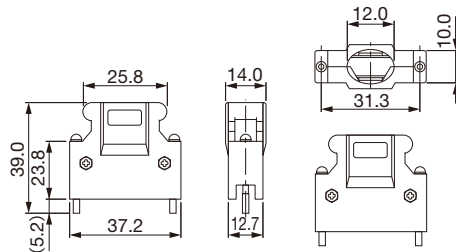
Connector Kit Model	Case		Connector	
	Model	Qty	Model	Qty
JZSP-CSI9-2-E	10326-52A0-008*	1 set	10126-3000PE* (Soldered)	1

* : Manufactured by 3M Japan Ltd.

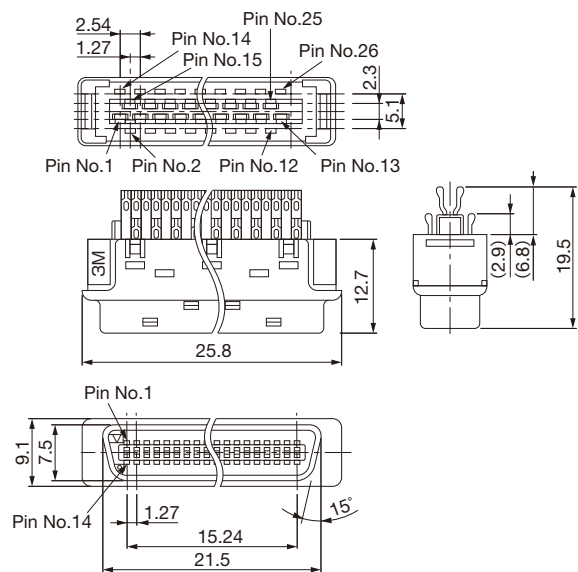
• Cable Size

Item	Specifications
Cable	Use twisted-pair or twisted-pair shielded wire.
Applicable Wires	AWG24, 26, 28, 30
Cable Finished Diameter	16 dia. max.

• External Dimensions of Case (Units: mm)

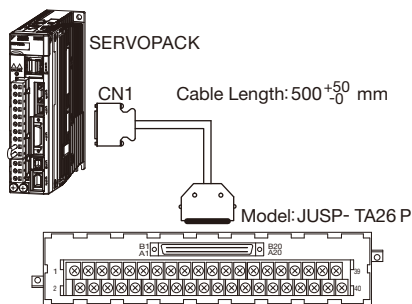


• External Dimensions of Connector (Units: mm)

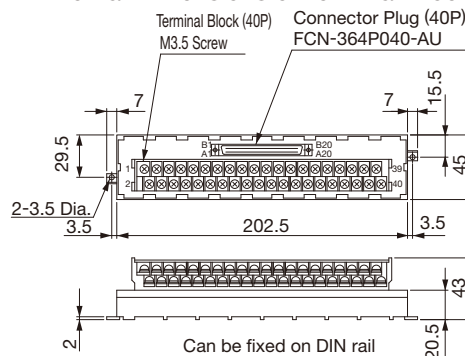


(2) Connector Terminal Converter Unit for CN1

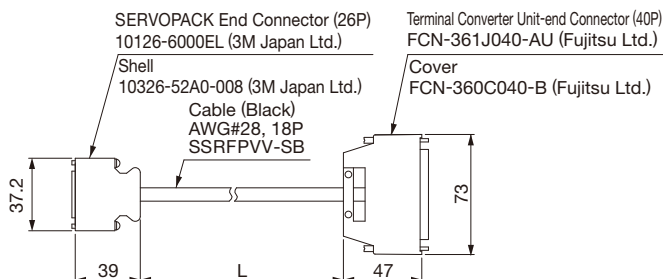
• Configurations



• External Dimensions of Terminal Block (Units: mm)



• External Dimensions of Cable (Units: mm)

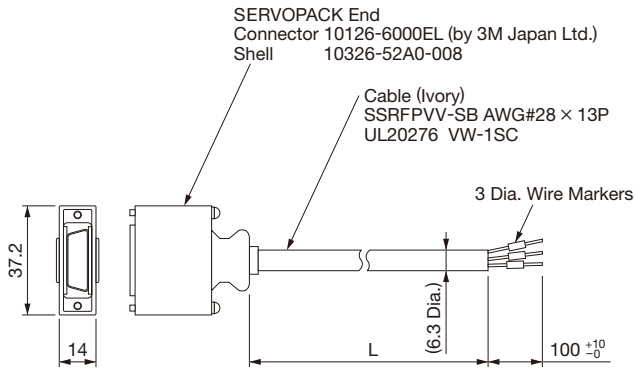


Model	Cable Length (L)	Approx. Mass
JUSP-TA26P-E	0.5 m	100 g
JUSP-TA26P-1-E	1 m	200 g
JUSP-TA26P-2-E	2 m	400 g

Note: The pin number in the SERVOPACK connector and the pin number in the terminal block are the same. Pin numbers 1 to 26 are used in the terminal block. Do not use a pin number of 27 or higher.
If assembling cables, refer to ● Cable with Loose Wires at One End for CN1 Connection Diagram of JZSP-CSI02-□-E Cable on the next page.

Selecting Cables

(3) Cable with Loose Wires at One End for CN1 · External Dimensions (Units: mm)



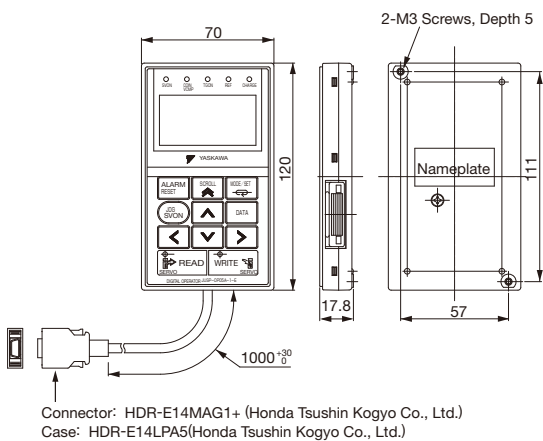
Model	Cable Length
JZSP-CSI02-1-E	1 m
JZSP-CSI02-2-E	2 m
JZSP-CSI02-3-E	3 m

● Cable with Loose Wires at One End for CN1 Connection Diagram of JZSP-CSI02-□-E Cable

Pin No.	Signal	Wire Color	Marking		Host Controller End Lead Marker
			Color	Dots	
1	/BK+(/S01+)	Blue	Red	1	1
2	/BK-(/S01-)	Blue	Black	1	2
3	ALM+	Pink	Red	1	3
4	ALM-	Pink	Black	1	4
5	-	Green	Red	1	5
6	+24VIN	Green	Black	1	6
7	P-OT	Orange	Red	1	7
8	N-OT	Orange	Black	1	8
9	/DEC	Gray	Red	1	9
10	/EXT1	Gray	Black	1	10
11	/EXT2	Blue	Red	2	11
12	/EXT3	Blue	Black	2	12
13	/S10	Pink	Red	2	13
14	BAT(+)	Green	Red	2	14
15	BAT(-)	Green	Black	2	15
16	SG	Pink	Black	2	16
17	PAO	Orange	Red	2	17
18	/PAO	Orange	Black	2	18
19	PBO	Gray	Red	2	19
20	/PBO	Gray	Black	2	20
21	PCO	Blue	Red	3	21
22	/PCO	Blue	Black	3	22
23	/SO2+	Pink	Red	3	23
24	/SO2-	Pink	Black	3	24
25	/SO3+	Green	Red	3	25
26	/SO3-	Green	Black	3	26

∟ : Represents twisted-pair wires.

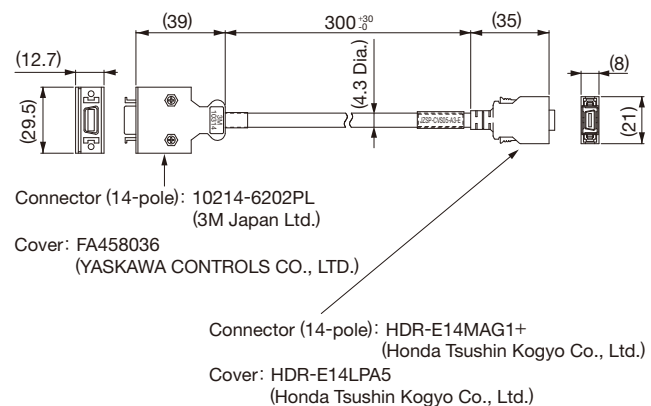
(4) Digital Operator (Model: JUSP-OP05A-1-E) (Units: mm)



(5) Digital Operator Converter Cable for CN3 (Model: JZSP-CVS05-A3-E)

A converter cable is required to use Σ -III series digital operators (model: JUSP-OP05A) for Σ -V series SERVOPACKs.

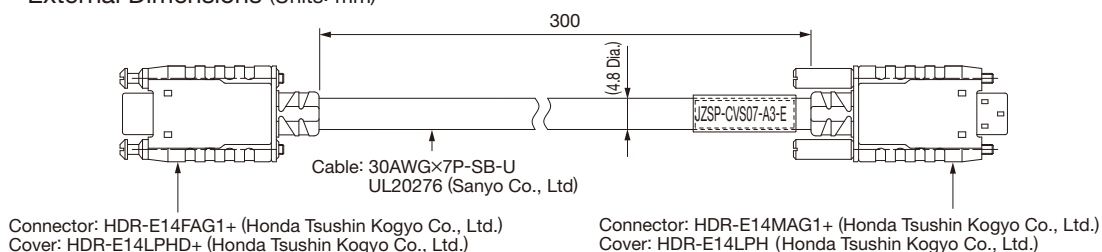
· External Dimensions (Units: mm)



(6) Digital Operator Converter Cable for CN3 (Model: JZSP-CVS07-A3-E)

A converter cable is required when connecting the digital operator cable while using MECHATROLINK-III Communications SERVOPACK.

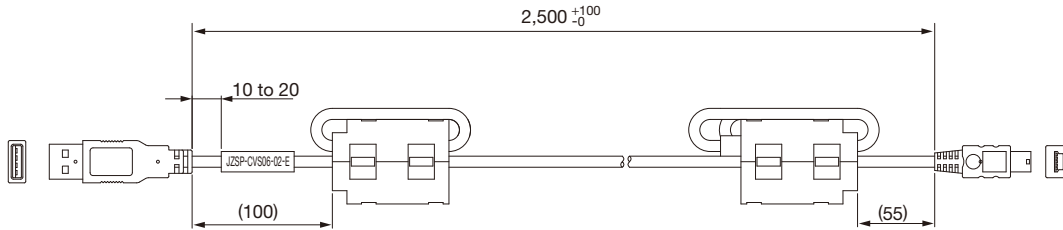
· External Dimensions (Units: mm)



Selecting Cables

(7) Connection Cable for Personal Computer for CN7 (Model: JZSP-CVS06-02-E)

- External Dimensions (Units: mm)

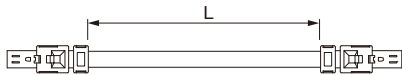


IMPORTANT

Use a cable specified by Yaskawa.
When using other cables, operation cannot be guaranteed.

(8) Cables with Connectors at Both Ends for CN6 (Model: JEPMC-W6012-□□-E)

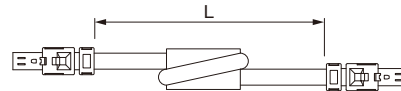
- External Dimensions (Units: mm)



Model	Cable Length (L)
JEPMC-W6012-A2-E	0.2 m
JEPMC-W6012-A5-E	0.5 m
JEPMC-W6012-01-E	1 m
JEPMC-W6012-02-E	2 m
JEPMC-W6012-03-E	3 m
JEPMC-W6012-04-E	4 m
JEPMC-W6012-05-E	5 m
JEPMC-W6012-10-E	10 m
JEPMC-W6012-20-E	20 m
JEPMC-W6012-30-E	30 m
JEPMC-W6012-50-E	50 m

(9) Cables with Connectors at Both Ends (With Ferrite Core) for CN6 (Model: JEPMC-W6013-□□-E)

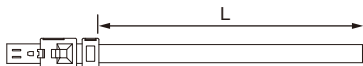
- External Dimensions (Units: mm)



Model	Cable Length (L)
JEPMC-W6013-10-E	10 m
JEPMC-W6013-20-E	20 m
JEPMC-W6013-30-E	30 m
JEPMC-W6013-50-E	50 m

(10) Cable with Loose Wire at One End for CN6 (Model: JEPMC-W6014-□□-E)

- External Dimensions (Units: mm)



Model	Cable Length (L)
JEPMC-W6014-A5-E	0.5 m
JEPMC-W6014-01-E	1 m
JEPMC-W6014-03-E	3 m
JEPMC-W6014-05-E	5 m
JEPMC-W6014-10-E	10 m
JEPMC-W6014-30-E	30 m
JEPMC-W6014-50-E	50 m

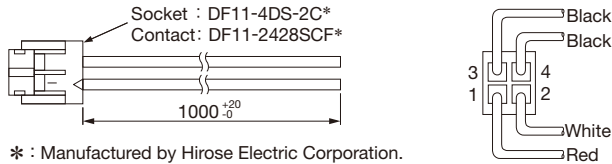
IMPORTANT

Use a MECHATROLINK-III communications cable specified by Yaskawa. When using other cables, noise resistance may be reduced, and operation cannot be guaranteed.

Selecting Cables

(11) Cable for Analog Monitor for CN5 (Model: JZSP-CA01-E)

• External Dimensions (Units: mm)



* : Manufactured by Hirose Electric Corporation.

View from Cable End

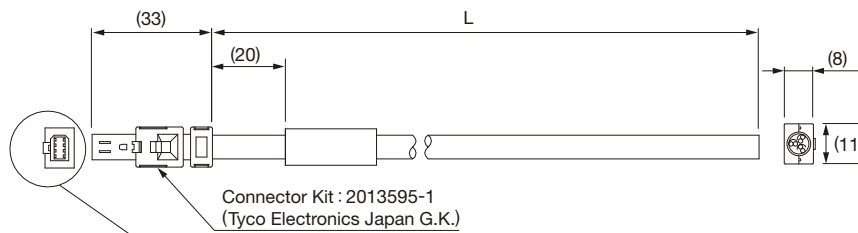
• Specifications

Pin No.	Cable Color	Signal	Standard Settings
1	Red	Analog Monitor 2	Motor speed : 1V/1000 min ⁻¹
2	White	Analog Monitor 1	Torque reference : 1V/100% rated torque
3, 4	Black (2 cables)	GND(0V)	—

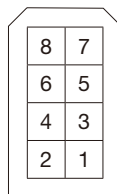
Note : The specifications above are factory settings. Monitor specifications can be changed by changing parameters Pn006 and Pn007.

(12) Cable with Connector for CN8

• External Dimensions (Units: mm)



Pin Layout



• Specifications

Model	Cable Length (L)
JZSP-CVH03-01-E	1 m
JZSP-CVH03-03-E	3 m

Pin No.	Signal	Lead Color	Marking Color
1	Not used	—	—
2	Not used	—	—
3	/HWBB1-	White	Black
4	/HWBB1+	White	Red
5	/HWBB2-	Gray	Black
6	/HWBB2+	Gray	Red
7	EDM1-	Orange	Black
8	EDM1+	Orange	Red

INDEXER Module-Mounted SERVOPACK

SGDV E 1 *



*: Model number for SERVOPACK and module set

Model Designations

S G D V ^{*1} R70 A E1 A 000 00 0 100

Σ-V Series
SGDV
SERVOPACK

1st+2nd+3rd digits

4th digit

5th+6th digits

7th digit

8th+9th+10th digits

11th+12th digits

13th digit

14th +15th+16th digits

1st+2nd+3rd digits Current

Voltage	Code	Applicable Servomotor Max. Capacity kW
Single-phase 100 V	R70	0.05
	R90	0.1
	2R1	0.2
	2R8	0.4
Three-phase 200 V	R70 ^{*2}	0.05
	R90 ^{*2}	0.1
	1R6 ^{*2}	0.2
	2R8 ^{*2}	0.4
	3R8	0.5
	5R5 ^{*2}	0.75
	7R6	1.0
	120 ^{*3}	1.5
	180	2.0
	200	3.0
	330	5.0
	470	6.0
	550	7.5
	590	11
780	15	
Three-phase 400 V	1R9	0.5
	3R5	1.0
	5R4	1.5
	8R4	2.0
	120	3.0
	170	5.0
	210	6.0
	260	7.5
	280	11.0
	370	15.0

4th digit Power Supply Voltage

Code	Specifications
F	Single-phase 100 VAC
A	Three-phase 200 VAC
D	Three-phase 400 VAC

5th+6th digits Interface

Code	Specifications
E1	Command Option Attachable Type (For rotary servomotors)
E5	Command Option Attachable Type (For linear servomotors)

7th digit Design Revision Order

A

8th+9th+10th digits Options (hardware)

Code	Specifications
000	Base-mounted (standard)
001	Rack-mounted ^{*4}
002	Varnished
003	Rack-mounted ^{*4} and Varnished
008	Single-phase 200 VAC input (Model: SGD120AE1A008000)
020	Dynamic brake (DB) ^{*5}

11th+12th digits Options (software)

Code	Specifications
00	Standard

13th digit Options (parameter)

Code	Specifications
0	Standard

14th +15th +16th digits Option Modules

Code	Specifications
100	INDEXER Module
101	INDEXER Module + Fully-closed Module

*1: The model number of a SERVOPACK with option modules is not hyphenated after SGD1.

*2: These amplifiers can be powered with single or three-phase.

*3: Single-phase 200 VAC SERVOPACKs are also available. (Model: SGD120AE1A008000)

*4: SERVOPACKs of 6 kW or more are duct-ventilated.

*5: Without any dynamic brake. For 400 VAC models, an external dynamic brake can be installed.

Note: Contact your Yaskawa representative for information on combining options.

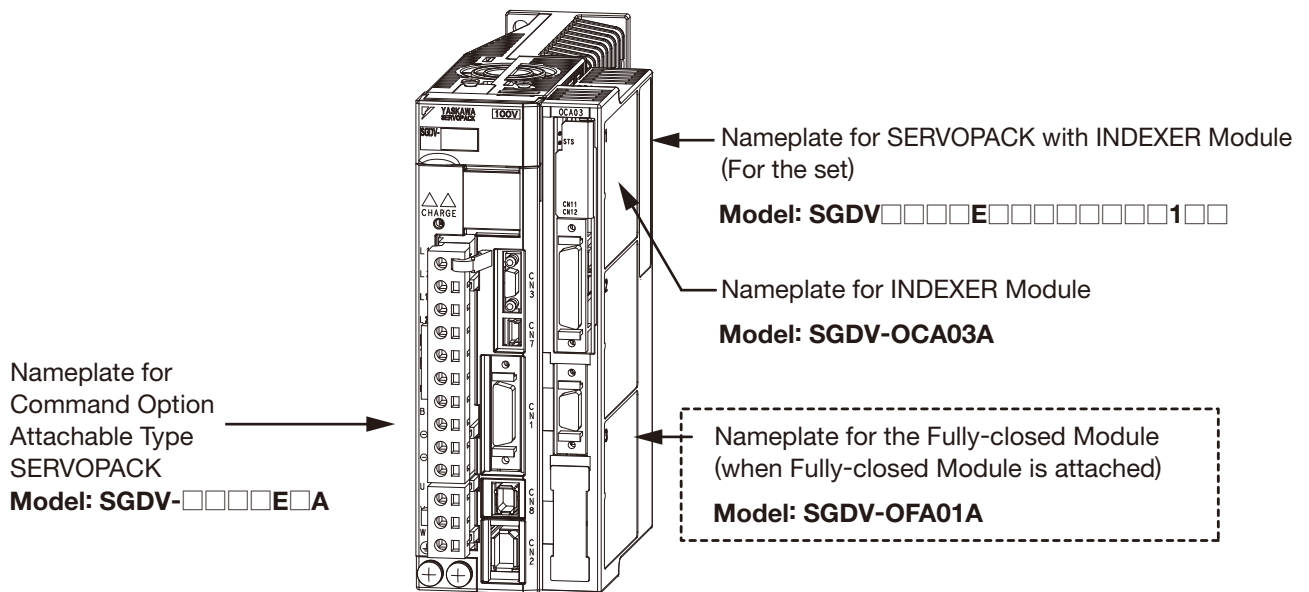
Features

- **Simple**
 - Program tables for easy programming and serial commands for easy realization of motion control.
 - The setup support tool (SigmaWin+) for Windows enables easy start-up.
 - Simple connection to the host controller can be established via the I/O module.
- **Smart**
 - By using program tables, all required operations (including positioning) can be simplified. For positioning, up to 256 steps can be programmed.
 - Various functions, including external positioning, JOG table operation, homing, and programmable signal outputs are provided.
 - I/O points: Input 19 points, Output 16 points
- **Speedy**
 - Reliable high-speed, high-precision positioning when combined with high-performance Σ -V series servo drives.
 - Motion control is accomplished without using motion controllers.

AC

INDEXER

Nameplate



Ratings

Single-phase 100 V

SERVOPACK Model	SGDV□□□□	R70F	R90F	2R1F	2R8F
Applicable Servomotor Max. Capacity	kW	0.05	0.1	0.2	0.4
Continuous Output Current	Arms	0.66	0.91	2.1	2.8
Max. Output Current	Arms	2.1	2.9	6.5	9.3
Regenerative Resistors	None or external				
Main Circuit	Single-phase 100 to 115 VAC+10% to -15% 50/60 Hz				
Control Circuit	Single-phase 100 to 115 VAC+10% to -15% 50/60 Hz				

Single-phase 200 V

SERVOPACK Model	SGDV□□□□	R70A	R90A	1R6A	2R8A	5R5A	120A*
Applicable Servomotor Max. Capacity	kW	0.05	0.1	0.2	0.4	0.75	1.5
Continuous Output Current	Arms	0.66	0.91	1.6	2.8	5.5	11.6
Max. Output Current	Arms	2.1	2.9	5.8	9.3	16.9	28
Regenerative Resistors	None or external						Built-in or external
Main Circuit*	Single-phase 200 to 230 VAC+10% to -15% 50/60 Hz						
Control Circuit*	Single-phase 200 to 230 VAC+10% to -15% 50/60 Hz						

* : The SGDVI20AE1A008000 SERVOPACK rated voltage range is 220 to 230 VAC.

Three-phase 200 V

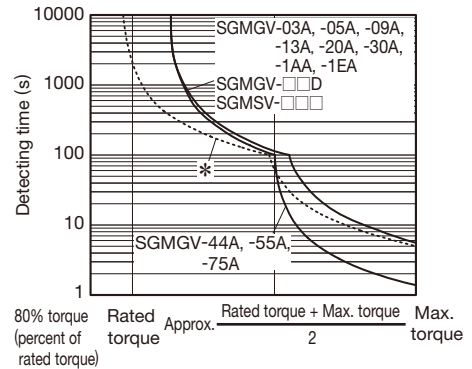
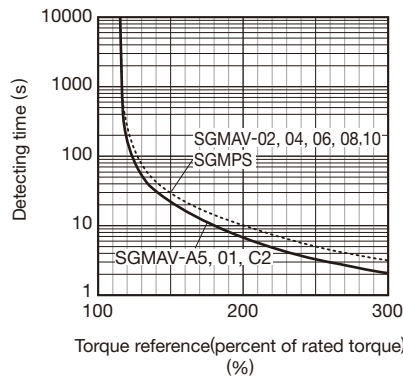
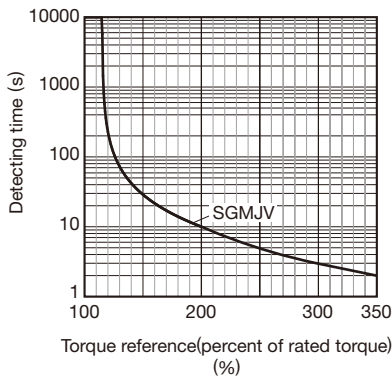
SERVOPACK Mode	SGDV□□□□	R70A	R90A	1R6A	2R8A	3R8A	5R5A	7R6A	120A	180A	200A	330A	470A	550A	590A	780A	
Applicable Servomotor Max. Capacity	kW	0.05	0.1	0.2	0.4	0.5	0.75	1.0	1.5	2.0	3.0	5.0	6	7.5	11	15	
Continuous Output Current	Arms	0.66	0.91	1.6	2.8	3.8	5.5	7.6	11.6	18.5	19.6	32.9	46.9	54.7	58.6	78	
Max. Output Current	Arms	2.1	2.9	5.8	9.3	11	16.9	17	28	42	56	84	110	130	140	170	
Regenerative Resistors	None or external						Built-in or external						External				
Main Circuit	Three-phase 200 to 230 VAC+10% to -15% 50/60 Hz																
Control Circuit	Single-phase 200 to 230 VAC+10% to -15% 50/60 Hz																

Three-phase 400 V

SERVOPACK Model	SGDV□□□□	1R9D	3R5D	5R4D	8R4D	120D	170D	210D	260D	280D	370D
Applicable Servomotor Max. Capacity	kW	0.5	1.0	1.5	2.0	3.0	5.0	6	7.5	11	15
Continuous Output Current	Arms	1.9	3.5	5.4	8.4	11.9	16.5	20.8	25.7	28.1	37.2
Max. Output Current	Arms	5.5	8.5	14	20	28	42	55	65	70	85
Regenerative Resistors	Built-in or external						External				
Main Circuit	Three-phase 380 to 480 VAC+10% to -15% 50/60 Hz										
Control Circuit	24 VDC ±15%										

Note: The entire over voltage category is III.

● SERVOPACK Overload Characteristics



Note: Overload characteristics shown above do not guarantee continuous duty of 100% or more output. Use a servomotor with effective torque within the continuous duty zone of *Torque-Motor Speed Characteristics*.

*: The dotted line indicates the characteristics of a combination of SGDVI200A SERVOPACKS and SGMGV-30A servomotors.

Specifications

● SERVOPACK Specifications

Items		Specifications		
Control Method		IGBT PWM control, sine-wave driven		
Feedback	Rotary Servomotors	Serial encoder: 13-bit (incremental encoder) : 17-bit (incremental/absolute encoder) : 20-bit (incremental/absolute encoder)		
	Linear Servomotors	Absolute linear scale (The signal resolution varies depending on the absolute linear scale.) Incremental linear scale (The signal resolution varies depending on the incremental linear scale or serial converter unit.)		
Operating Conditions	Ambient Temperature	0 to +55°C		
	Storage Temperature	-20 to +85°C		
	Ambient Humidity	90%RH or less	With no freezing or condensation	
	Storage Humidity	90%RH or less		
	Vibration Resistance	4.9 m/s ²		
	Shock Resistance	19.6 m/s ²		
	Protection Class	IP10	An environment that satisfies the following conditions. · Free of corrosive or flammable gases · Free of exposure to water, oil, or chemicals · Free of dust, salts, or iron dust	
	Pollution Degree	2		
Altitude	1000 m or less			
Others	Do not use SERVOPACKs in the following locations: · Locations subject to static electricity noise, strong electromagnetic/magnetic fields, radioactivity			
Applicable Standards		Refer to <i>International Standards</i> on page 454.		
Configuration		Standard: Base-mounted Optional: Rack-mounted, Duct-ventilated		
Performance	Speed Control Range		1:5000 (The lower limit of the speed control range must be lower than the point at which the rated torque does not cause the servomotor to stop.)	
	Speed Regulation*	Load Fluctuation	0% to 100% load: ±0.01% max. (at rated speed)	
		Voltage Fluctuation	Rated voltage: ±10% : 0% (at rated speed)	
		Temperature Fluctuation	25±25°C : ±0.1% max. (at rated speed)	
Torque Control Tolerance (Repeatability)		±1%		
I/O Signal	Encoder Output Pulses		Phase A, phase B, phase C: line driver output The number of dividing pulse: Any setting ratio is available.	
	Sequence Input	Input Signals which can be allocated	Number of Channels	7 channels
			Functions	For more information on input signals used with the SERVOPACK, refer to the specifications for the INDEXER Module on the next page.
	Sequence Output	Output Signals which can be allocated	Fixed Output	Servo alarm (ALM)
			Number of Channels	3 channels
	Functions	For more information on output signals used with the SERVOPACK, refer to the specifications for the INDEXER Module on the next page.		
Communications	RS-422A Communications	Interface	Digital operator (JUSP-OP05A-1-E), personal computer (can be connected with SigmaWin+)	
		1:N communications	RS-422A port: N= 15 max. available	
	Axis address setting	Set by parameters		
USB Communications	Interface	Personal computer (can be connected with SigmaWin+.)		
	Communications Standard	Compliant with USB1.1 standard (12 Mbps)		
Display		One 7-segment LED, CHARGE, and POWER indicators		
Analog Monitor		Number of points: 2 Output voltage: ±10 VDC (linearity effective range ±8 V) Resolution: 16 bit Accuracy: ±20 mV (Typ) Max. output current: ±10 mA Settling time (±1%): 1.2 ms (Typ)		
Dynamic Brake (DB)		Activated when the power supply for the main circuit or the servomotor power is OFF (Servo OFF), when overtravel (OT) or a servo alarm occurs, or during a hardwired base block		
Regenerative Processing		Included (For more information, refer to the previous page.)		
Overtravelling (OT) Prevention		Dynamic brake stop at P-OT or N-OT, deceleration to a stop, or free run to a stop		
Protective Functions		Overcurrent, Overvoltage, low voltage, overload, regeneration error, etc.		
Utility Functions		Gain adjustment, alarm history, JOG operation, origin search, etc.		
Safety Functions	Input	/HWBB1, /HWBB2: Baseblock signal for power module		
	Output	EDM1: Status monitor (fixed output) of built-in safety circuit		
Option Module		Fully-closed Module		

*: Speed regulation by load regulation is defined as follows:

$$\text{Speed regulation} = \frac{\text{No-load motor speed} - \text{Total load motor speed}}{\text{Rated motor speed}} \times 100\%$$

Specifications

● INDEXER Module

Items		Specifications			
Control Method	Program Table Method	Program table positioning in which steps are executed sequentially by commands given through contact input or serial communications Positioning in which station numbers are specified by commands given through contact input or serial communications			
		Max. Number of Steps	256		
		Max. Number of Tables	256		
	Max. Number of Stations	256			
	Serial Communications Method	Serial command by 1-channel ASCII code Communications specifications: RS-422/485 (50 m max.) Connection topology: Multi-drop connection (16 axes max.) Baud rate: 9600, 19200, 38400 bps			
Other Functions		Registration (positioning by external signal), homing			
Display	LED	Lit during parameter setting, monitoring, executing utility functions, etc.			
I/O Signal	Input	SERVOPACK End	<ul style="list-style-type: none"> • Servo ON (/S-ON) • Forward run prohibited (P-OT), reverse run prohibited (N-OT) • Homing deceleration limit switch (/DEC) • Alarm reset (/ALM-RST) • Registration latch (/RGRT) 		
		Module End	Mode selection (/MODE0/1)		
			<table border="1"> <thead> <tr> <th>Mode 0</th> <th>Mode 1</th> </tr> </thead> <tbody> <tr> <td> <ul style="list-style-type: none"> • Starts or interrupts program table operation (/START-STOP) • Resets program table operation (/PGMRES) • Program table selection 0 (/SELO) to to • Program table selection 7 (/SEL7) </td> <td> <ul style="list-style-type: none"> • Starts homing (/HOME) • Starts forward JOG operation (/JOGP) • Starts reverse JOG operation (/JOGN) • JOG speed table selection 0 (/JOG0) to to • JOG speed table selection 3 (/JOG3) </td> </tr> </tbody> </table>	Mode 0	Mode 1
	Mode 0	Mode 1			
	<ul style="list-style-type: none"> • Starts or interrupts program table operation (/START-STOP) • Resets program table operation (/PGMRES) • Program table selection 0 (/SELO) to to • Program table selection 7 (/SEL7) 	<ul style="list-style-type: none"> • Starts homing (/HOME) • Starts forward JOG operation (/JOGP) • Starts reverse JOG operation (/JOGN) • JOG speed table selection 0 (/JOG0) to to • JOG speed table selection 3 (/JOG3) 			
Output	SERVOPACK End	<ul style="list-style-type: none"> • Servo alarm (ALM) • Error/warning (/WARN) • Braking (/BK) 			
	Module End	<ul style="list-style-type: none"> • Servo ready (/S-RDY) • Alarm code output 0 to 2 (ALO0 to ALO2) • Positioning completed (/INPOSITION) • Programmable output 0 to 7 (/POUT0 to /POUT7) 			

Program Table Functions

Function	Setting Range	Setting Unit	Description
PGMSTEP	Program step	—	Program step number (0 to 255)
POS	Target position	–99,999,999 to +99,999,99	Reference unit Specifies the target position. Absolute position (A), relative distance (I), infinite length (INFINITE), Stop (STOP), no motion command (–)
SPD	Positioning speed	1 to 99,999,999	× 1000 reference units/min Specifies the positioning speed.
RDST	External positioning distance	0 to 99,999,999	Reference unit Specifies registration distance. For no registration, set “–”.
RSPD	External positioning speed	1 to 99,999,999	× 1000 reference units/min Specifies registration speed.
ACC	Acceleration	1 to 99,999,999	× 1000 reference units/min/ms Specifies acceleration for positioning or registration. To continue with the acceleration specified in the previously executed program step, set “:”.
DEC	Deceleration	1 to 99,999,999	× 1000 reference units/min/ms Specifies deceleration for positioning or registration. To continue with the deceleration specified in the previously executed program step, set “:”.
POUT	Programmable output signals	—	— Specifies the operation of programmable output signals /POUT0 to /POUT7. Active (A), inactive (N), ZONE signal (Z), maintain previous condition (:)
EVENT	Pass condition	0 to 99,999 (Waiting time settings)	ms Sets waiting time (Tn) and any one of the following in tandem: Positioning completion signal (I), position reference distribution completed signal (D), positioning near signal (N), or selection signal (SELn)
LOOP	Number of executions	1 to 99,999	— Specifies the number of executions from positioning start to pass condition (EVENT).
NEXT	Program step to be executed next	0 to 255	— Specifies the program step (PGMSTEP) to be executed next. To end program table operation, set “END”.

Power Supply Capacities and Power Losses

Main Circuit Power Supply	Applicable Servomotor Max. Capacity kW	SERVOPACK Model SGDV□□□□	Power Supply Capacity kVA	Output Current Arms	Main Circuit Power Loss W	Regenerative Resistor Power Loss W	Control Circuit Power Loss W	Total Power Loss W
								W
Signal-phase 100 V	0.05	R70F	0.2	0.66	5.4	—	17	22.4
	0.1	R90F	0.3	0.91	7.8			24.8
	0.2	2R1F	0.7	2.1	14.4			31.4
	0.4	2R8F	1.4	2.8	25.6			42.6
Single-phase 200 V	0.05	R70A	0.2	0.66	5.2	—	17	22.2
	0.1	R90A	0.3	0.91	7.4			24.4
	0.2	1R6A	0.7	1.6	13.7			30.7
	0.4	2R8A	1.2	2.8	24.9			41.9
	0.75	5R5A	1.9	5.5	52.7	8	77.7	
	1.5	120A	4	11.6	68.2	10	22	100.2
Three-phase 200 V	0.05	R70A	0.2	0.66	5.1	—	17	22.1
	0.1	R90A	0.3	0.91	7.3			24.3
	0.2	1R6A	0.6	1.6	13.5			30.5
	0.4	2R8A	1	2.8	24.0			41.0
	0.5	3R8A	1.4	3.8	20.1	8	45.1	
	0.75	5R5A	1.6	5.5	43.8		68.8	
	1.0	7R6A	2.3	7.6	53.6	10	78.6	
	1.5	120A	3.2	11.6	65.8		97.8	
	2.0	180A	4	18.5	111.9	16	22	149.9
	3.0	200A	5.9	19.6	113.8		161.4	
	5.0	330A	7.5	32.9	263.7	36	27	326.7
	6.0	470A	10.7	46.9	279.4	(180)* ¹	33	312.4
	7.5	550A	14.6	54.7	357.8	(350)* ²		390.8
	11	590A	21.7	58.6	431.7		48	479.7
15	780A	29.6	78	599.0	647.0			
Three-phase 400 V	0.5	1R9D	1.1	1.9	24.6	14	21	59.6
	1.0	3R5D	2.3	3.5	46.1			81.1
	1.5	5R4D	3.5	5.4	71.3			106.3
	2.0	8R4D	4.5	8.4	77.9	28	25	130.9
	3.0	120D	7.1	11.9	108.7			161.7
	5.0	170D	11.7	16.5	161.1	36	24	221.1
	6.0	210D	12.4	20.8	172.7			(180)* ³
	7.5	260D	14.4	25.7	218.6	(350)* ⁴	30	245.6
	11	280D	21.9	28.1	294.6			324.6
	15	370D	30.6	37.2	403.8			433.8

*1: For the optional JUSP-RA04-E regenerative resistor unit.

*2: For the optional JUSP-RA05-E regenerative resistor unit.

*3: For the optional JUSP-RA18-E regenerative resistor unit.

*4: For the optional JUSP-RA19-E regenerative resistor unit.

Notes: 1 SGDVR70F, R90F, 2R1F, 2R8F, R70A, R90A, 1R6A, and 2R8A SERVOPACKs do not have built-in regenerative resistors.

If the regenerative energy exceeds the specified value, connect an external regenerative resistor (optional).

2 SGDVR470A, 550A, 590A, 780A, 210D, 260D, 280D, 370D SERVOPACKs do not have built-in regenerative resistors.

Be sure to connect a regenerative resistor unit or an external regenerative resistor. For selection details, refer to page 375.

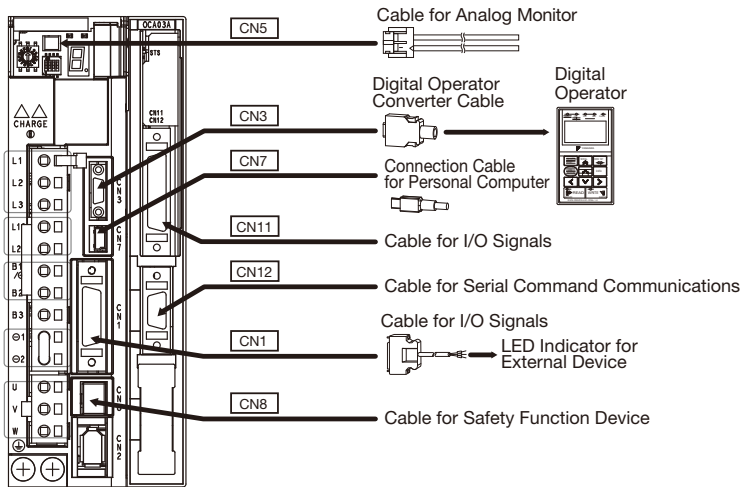
3 Regenerative resistor power losses are allowable losses. Take the following action if this value is exceeded.

• Remove the lead or short bar that is short-circuiting the SERVOPACK main circuit terminal B2 and B3. (SGDV3R8A, 5R5A, 7R6A, 120A, 180A, 200A, 330A, or 400-V class SERVOPACKs.)

• Install an external regenerative resistor (optional). For selection details, refer to page 375.

Selecting Cables

● Cables for **CN1** **CN3** **CN5** **CN7** **CN8** **CN11** **CN12** (INDEXER Module-Mounted SERVOPACK)



Name	Length	Order No.	Specifications	Details	
CN1 Cables for I/O Signals	Connector Kit	JZSP-CSI9-2-E	Soldered 	(1)	
	Connector Terminal Converter Unit	0.5 m	JZSP-TA26P-E	Terminal Block and Connection Cable 	(2)
		1 m	JZSP-TA26P-1-E		
		2 m	JZSP-TA26P-2-E		
	Cable with Loose wire at One End	1 m	JZSP-CSI02-1-E		(3)
		2 m	JZSP-CSI02-2-E		
3 m		JZSP-CSI02-3-E			
CN3	Digital Operator	JZSP-OP05A-1-E	With Connection Cable (1 m) 	(4)	
	Digital Operator Converter Cable*1	0.3 m	JZSP-CVS05-A3-E Cable with Connectors at Both Ends 	(5)	
CN7 Connection Cables for Personal Computer	2.5 m	JZSP-CVS06-02-E	Cable with Connectors at Both Ends 	(6)	
CN5 Cables for Analog Monitor	1 m	JZSP-CA01-E	SERVOPACK End 	(7)	
CN8 Cable for Safety Function Device	Cables with Connector*2	1 m	JZSP-CVH03-01-E		(8)
	3 m	JZSP-CVH03-03-E			
CN11 Cable for I/O Signals	Connector kit*3	Contact Tyco Electronics Japan G.K. Product name : Industrial Mini I/O D-shape Type1 Plug Connector Kit Model : 2013595-1		(9)	
	Connector Kit	DP9420007-E			
		Cable with Loose wire at One End	1 m		JZSP-CVI01-1-E
			2 m		JZSP-CVI01-2-E
	3 m		JZSP-CVI01-3-E		
	Cable with Terminal Block at One End	0.5 m	JZSP-TA36V-E		
1 m		JZSP-TA36V-1-E			
2 m		JZSP-TA36V-2-E			
CN12 Cable for Serial Command Communications	Connector kit*3	JZSP-CHI9-1		(12)	

*1 : A converter cable is required to use Σ -III series digital operators (model: JZSP-OP05A) for Σ -V series SERVOPACKs.

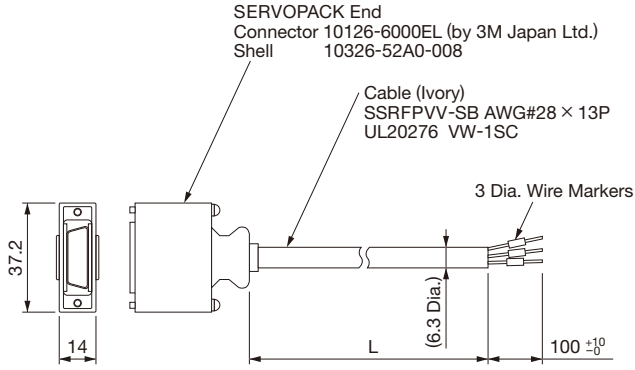
*2 : When using the safety function, connect this cable to the safety devices.

Even when not using the safety function, use SERVOPACKs with the Safe Jumper Connector (model: JZSP-CVH05-E) connected.

*3 : Use the connector kit when you make cables yourself.

Selecting Cables

(3) Cable with Loose Wires at One End for CN1 · External Dimensions (Units: mm)



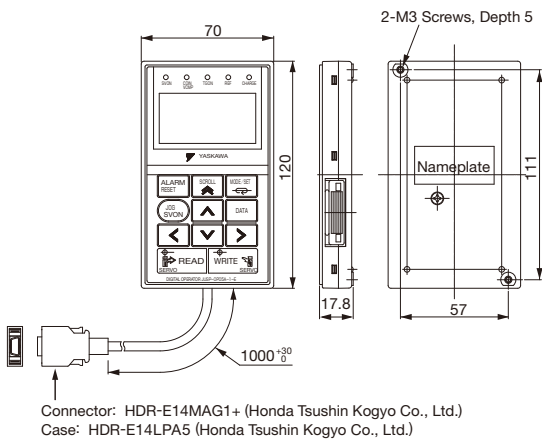
Model	Cable Length
JZSP-CSI02-1-E	1 m
JZSP-CSI02-2-E	2 m
JZSP-CSI02-3-E	3 m

● Cable with Loose Wires at One End for CN1 Connection Diagram of JZSP-CSI02-□-E Cable

Pin No.	Signal	Wire Color	Marking			Host Controller End Lead Marker
			Color	Dots		
1	/WARN+(/SO1+)	Blue	Red	1		1
2	/WARN-(/SO1-)	Blue	Black	1		2
3	ALM+	Pink	Red	1		3
4	ALM-	Pink	Black	1		4
5	-	Green	Red	1		5
6	+24VIN	Green	Black	1		6
7	/ALM-RST	Orange	Red	1		7
8	P-OT	Orange	Black	1		8
9	N-OT	Gray	Red	1		9
10	/DEC	Gray	Black	1		10
11	-	Blue	Red	2		11
12	/RGRT	Blue	Black	2		12
13	/S-ON	Pink	Red	2		13
14	BAT(+)	Green	Red	2		14
15	BAT(-)	Green	Black	2		15
16	SG	Pink	Black	2		16
17	PAO	Orange	Red	2		17
18	/PAO	Orange	Black	2		18
19	PBO	Gray	Red	2		19
20	/PBO	Gray	Black	2		20
21	PCO	Blue	Red	3		21
22	/PCO	Blue	Black	3		22
23	/BK+(/SO2+)	Pink	Red	3		23
24	/BK-(/SO2-)	Pink	Black	3		24
25	/S-RDY+(/SO3+)	Green	Red	3		25
26	/S-RDY-(/SO3-)	Green	Black	3		26

: Represents twisted-pair wires.

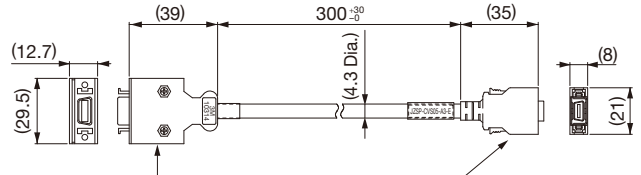
(4) Digital Operator (Model: JUSP-OP05A-1-E) (Units: mm)



(5) Digital Operator Converter Cable for CN3 (Model: JZSP-CVS05-A3-E)

A converter cable is required to use Σ -III series digital operators (model: JUSP-OP05A) for Σ -V series SERVOPACKs.

· External Dimensions (Units: mm)



Connector (14-pole): 10214-6202PL
(3M Japan Ltd.)

Cover: FA458036
(YASKAWA CONTROLS CO., LTD.)

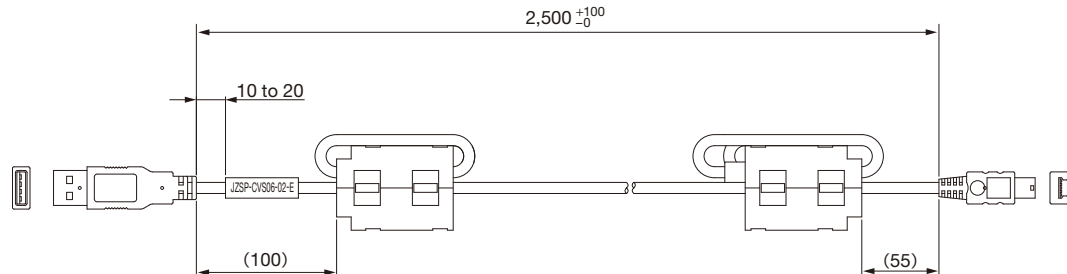
Connector (14-pole): HDR-E14MAG1+
(Honda Tsushin Kogyo Co., Ltd.)

Cover: HDR-E14LPA5
(Honda Tsushin Kogyo Co., Ltd.)

Selecting Cables

(6) Connection Cable for Personal Computer for CN7 (Model: JZSP-CVS06-02-E)

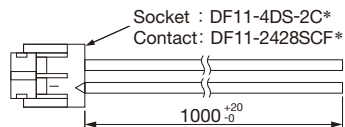
- External Dimensions (Units: mm)



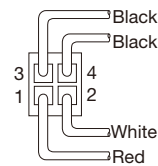
IMPORTANT Use a cable specified by Yaskawa.
When using other cables, operation cannot be guaranteed.

(7) Cable for Analog Monitor for CN5 (Model: JZSP-CA01-E)

- External Dimensions (Units: mm)



* : Manufactured by Hirose Electric Corporation.



View from Cable End

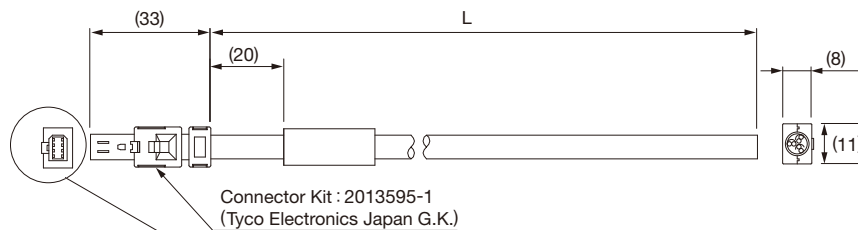
- Specifications

Pin No.	Cable Color	Signal	Standard Settings
1	Red	Analog Monitor 2	Motor speed : 1V/1000 min ⁻¹
2	White	Analog Monitor 1	Torque reference : 1V/100% rated torque
3, 4	Black (2 cables)	GND(0V)	—

Note : The specifications above are factory settings. Monitor specifications can be changed by changing parameters Pn006 and Pn007.

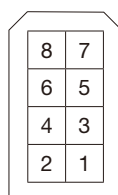
(8) Cable with Connector for CN8

- External Dimensions (Units: mm)



Connector Kit : 2013595-1
(Tyco Electronics Japan G.K.)

Pin Layout



Model	Cable Length (L)
JZSP-CVH03-01-E	1 m
JZSP-CVH03-03-E	3 m

- Specifications

Pin No.	Signal	Lead Color	Marking Color
1	Not used	—	—
2	Not used	—	—
3	/HWBB1-	White	Black
4	/HWBB1+	White	Red
5	/HWBB2-	Gray	Black
6	/HWBB2+	Gray	Red
7	EDM1-	Orange	Black
8	EDM1+	Orange	Red

Selecting Cables

(9) Connector Kit for CN11

Use the following connector and cable to assemble the cable.
The CN11 connector kit includes one case and one connector.

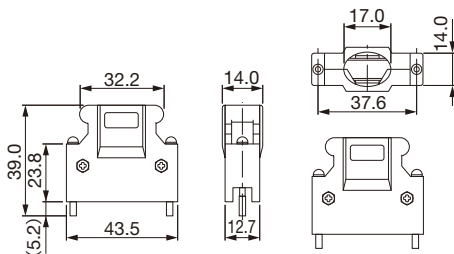
Connector Kit Model	Case		Connector	
	Model	Qty	Model	Qty
DP9420007-E	10336-52A0-008*	1 set	10136-3000PE* (Soldered)	1

* : Manufactured by 3M Japan Ltd.

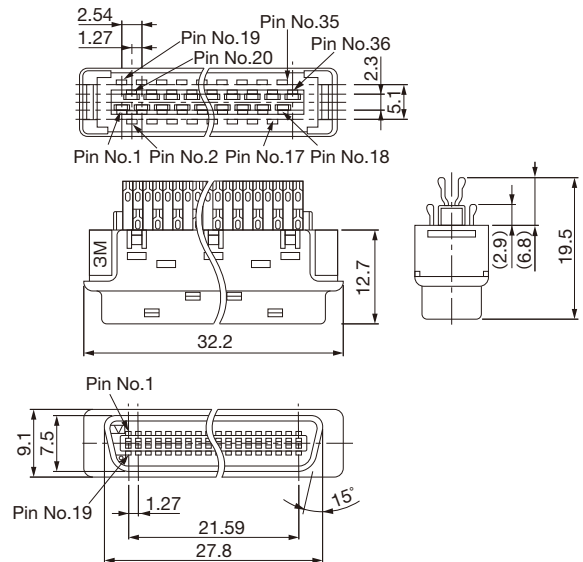
• Cable Size

Item	Specifications
Cable	Use twisted-pair or twisted-pair shielded wire.
Applicable Wires	AWG24, 26, 28, 30
Cable Finished Diameter	16 dia. max.

• External Dimensions of Case (Units: mm)

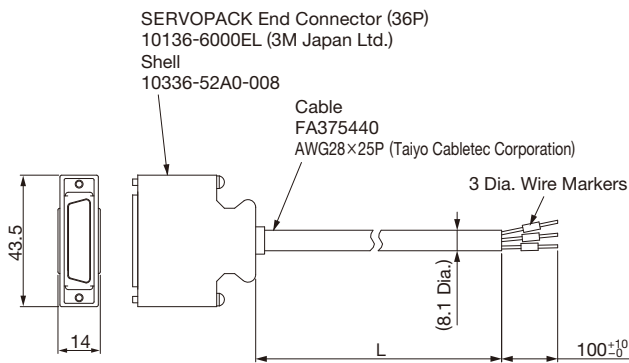


• External Dimensions of Connector (Units: mm)



(10) Cable with Loose Wires at One End for CN11

• External Dimensions (Units: mm)



Model	Cable Length
JZSP-CVI01-1-E	1 m
JZSP-CVI01-2-E	2 m
JZSP-CVI01-3-E	3 m

• Cable with Loose Wires at One End for CN11 Connection Diagram of JZSP-CVI01-□-E Cable

Pin No.	SERVOPACK End			Host Controller End	
	Signal	Wire Color	Marking	Lead	Marker
1	MODE0	Orange	Red 1	1	1
2	COM+	Orange	Red 1	-	-
3	/MODE0/1	Gray	Red 1	3	3
4	-	-	-	-	-
5	STR-STP	White	Red 1	5	5
6	/HOME	White	Red 1	-	-
7	PGMRES	Yellow	Red 1	7	7
8	/JOGP	Yellow	Red 1	-	-
9	SEL0	Pink	Red 1	9	9
10	/JOGN	Pink	Red 1	-	-
11	SEL1	Orange	Red 2	11	11
12	/JOG0	Orange	Red 2	-	-
13	SEL2	Gray	Red 2	13	13
14	/JOG1	Gray	Red 2	-	-
15	SEL5	White	Red 2	14	14
16	SEL3	Yellow	Red 2	15	15
17	/JOG2	Yellow	Red 2	16	16
18	SEL6	Pink	Red 2	17	17
19	/JOG4	Orange	Red 3	18	18
20	SEL7	Gray	Red 3	19	19
21	INPOS+	White	Red 3	20	20
22	INPOS-	White	Black 3	21	21
23	POUT0+	Yellow	Red 3	22	22
24	POUT0-	Yellow	Black 3	23	23
25	POUT1+	Pink	Red 3	24	24
26	POUT1-	Pink	Black 3	25	25
27	POUT2+	Orange	Red 4	26	26
28	POUT2-	Orange	Black 4	27	27
29	POUT3+	Gray	Red 4	28	28
30	POUT3-	Gray	Black 4	29	29
31	POUT4+	White	Red 4	30	30
32	POUT4-	White	Black 4	31	31
33	POUT5+	Yellow	Red 4	32	32
34	POUT5-	Yellow	Black 4	33	33
35	POUT6+	Pink	Red 4	34	34
36	POUT6-	Pink	Black 4	35	35
37	POUT7+	Orange	Red 5 or more	36	36
38	POUT7-	Orange	Black 5 or more	-	-
Case	Shield	-	-	-	-

⚡ : Represents twisted-pair wires.



Description of Components

Command Option Attachable Type SERVOPACK (SGDV-□□□□ E1/E5)

● Model Designations

When ordering a SERVOPACK and a INDEXER module separately, use the following SERVOPACK model number:

S G D V - R70 A E1 A 000 00 0

~ · Series
SGDV
SERVOPACK

1st+2nd+3rd digits

4th digit

5th+6th digits

7th digit

8th+9th+10th digits

11th+12th digits

13th digit

1st+2nd+3rd digits Current

Voltage	Code	Applicable Servomotor Max. Capacity kW
Single-phase 100 V	R70	0.05
	R90	0.1
	2R1	0.2
	2R8	0.4
Three-phase 200 V	R70*1	0.05
	R90*1	0.1
	1R6*1	0.2
	2R8*1	0.4
	3R8	0.5
	5R5*1	0.75
	7R6	1.0
	120*2	1.5
	180	2.0
	200	3.0
	330	5.0
	470	6.0
	550	7.5
	590	11
780	15	
Three-phase 400 V	1R9	0.5
	3R5	1.0
	5R4	1.5
	8R4	2.0
	120	3.0
	170	5.0
	210	6.0
	260	7.5
	280	11
370	15	

4th digit Power Supply Voltage

Code	Specifications
F	Single-phase 100 VAC
A	Three-phase 200 VAC
D	Three-phase 400 VAC

5th+6th digits Interface

Code	Specifications
E1	Command Option Attachable Type (For rotary servomotors)
E5	Command Option Attachable Type (For linear servomotors)

7th digit Design Revision Order

A

8th+9th+10th digits Options (hardware)

Code	Specifications
000	Base-mounted (standard)
001	Rack-mounted*3
002	Varnished
003	Rack-mounted*3 and Varnished
008	Single-phase 200 VAC input (Model: SGDV-120AE1A008000)
020	Dynamic brake (DB)*4

11th+12th digits Options (software)

Code	Specifications
00	Standard

13th digit Options (parameter)

Code	Specifications
0	Standard

*1: These amplifiers can be powered with single or three-phase.

*2: Single-phase 200 VAC SERVOPACKs are also available. (Model: SGDV-120AE1A008000)

*3: SERVOPACKs of 6 kW or more are duct-ventilated.

*4: Without any dynamic brake. For 400 VAC models, an external dynamic brake can be installed.

Note: If the option codes digits 8 to 13 are all zeros, they are omitted.

Contact your Yaskawa representative for information on combining options.

IMPORTANT

One option case kit is required for each SERVOPACK.
Option case kit model: SGDV-OZA01A

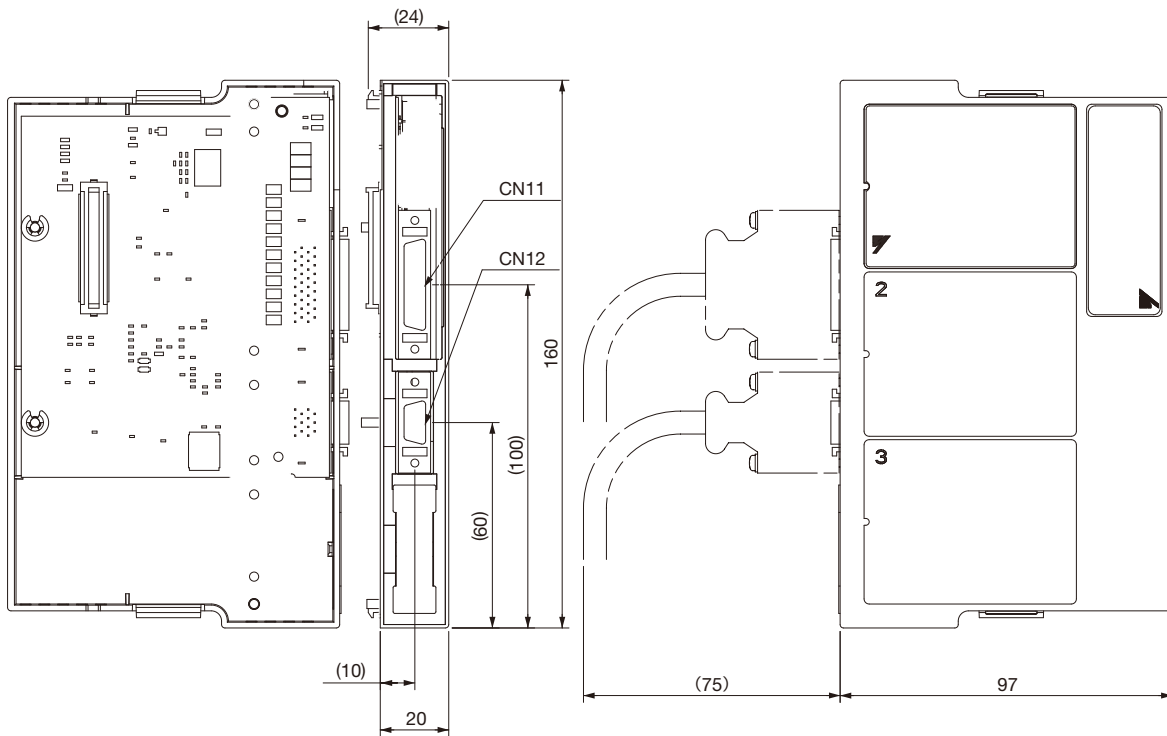
INDEXER Module (SGDV-OCA03A)

● **Model Designations**

When ordering a SERVOPACK and an INDEXER module separately, use the following INDEXER module model number:

SGDV-OCA03A

● **External Dimensions** (Units: mm)



Approx. Mass: 0.2 kg

Port	Model	Pin	Manufacturer
CN11	10236-52A2PL	36	3M Japan Ltd.
CN12	10214-52A2PL	14	3M Japan Ltd.

Note: The connectors above or their equivalents are used for SERVOPACKs.

DeviceNet Module-Mounted SERVOPACK

SGDV □ □ □ □ **E** □ □ □ □ □ □ □ □ **5** □ □ *

(Driven by SERVOPACK control power supply)

SGDV □ □ □ □ **E** □ □ □ □ □ □ □ □ **6** □ □ *

(Driven by external power supply)



*: Model number for SERVOPACK and module set

Model Designations

S G D V *¹ **R70** **A** **E1** **A** **000** **00** **0** **100**

Σ-V Series
SGDV
SERVOPACK

1st+2nd+3rd digits

4th digit

5th+6th digits

7th digit

8th+9th+10th digits

11th+12th digits

13th digit

14th +15th+16th digits

1st+2nd+3rd digits Current

Voltage	Code	Applicable Servomotor Max. Capacity kW
Single-phase 100 V	R70	0.05
	R90	0.1
	2R1	0.2
	2R8	0.4
Three-phase 200 V	R70* ²	0.05
	R90* ²	0.1
	1R6* ²	0.2
	2R8* ²	0.4
	3R8	0.5
	5R5* ²	0.75
	7R6	1.0
	120* ³	1.5
	180	2.0
	200	3.0
	330	5.0
	470	6.0
	550	7.5
	590	11
780	15	
Three-phase 400 V	1R9	0.5
	3R5	1.0
	5R4	1.5
	8R4	2.0
	120	3.0
	170	5.0
	210	6.0
	260	7.5
	280	11.0
	370	15.0

4th digit Power Supply Voltage

Code	Specifications
F	Single-phase 100 VAC
A	Three-phase 200 VAC
D	Three-phase 400 VAC

5th+6th digits Interface

Code	Specifications
E1	Command option attachable type (For rotary servomotors)
E5	Command option attachable type (For linear servomotors)

7th digit Design Revision Order

A

8th+9th+10th digits Options (hardware)

Code	Specifications
000	Base-mounted (standard)
001	Rack-mounted* ⁴
002	Varnished
003	Rack-mounted* ⁴ and Varnished
008	Single-phase 200 VAC input (Model: SGD120AE1A008000)
020	Dynamic brake (DB)* ⁵

11th+12th digits Options (software)

Code	Specifications
00	Standard

13th digit Options (parameter)

Code	Specifications
0	Standard

14th +15th +16th digits Option Modules

Code	Specifications
500	DeviceNet module (Driven by SERVOPACK control power supply)
501	DeviceNet module (Driven by SERVOPACK control power supply) +Fully-closed module
600	DeviceNet module (Driven by external power supply)
601	DeviceNet module (Driven by external power supply) +Fully-closed module

*1: The model number of a SERVOPACK with option modules is not hyphenated after SGD V.

*2: These amplifiers can be powered with single or three-phase.

*3: Single-phase 200 VAC SERVOPACKs are also available. (Model: SGD120AE1A008000)

*4: SERVOPACKs of 6 kW or more are duct-ventilated.

*5: Without any dynamic brake. For 400 VAC models, an external dynamic brake can be installed.

Note: Contact your Yaskawa representative for information on combining options.

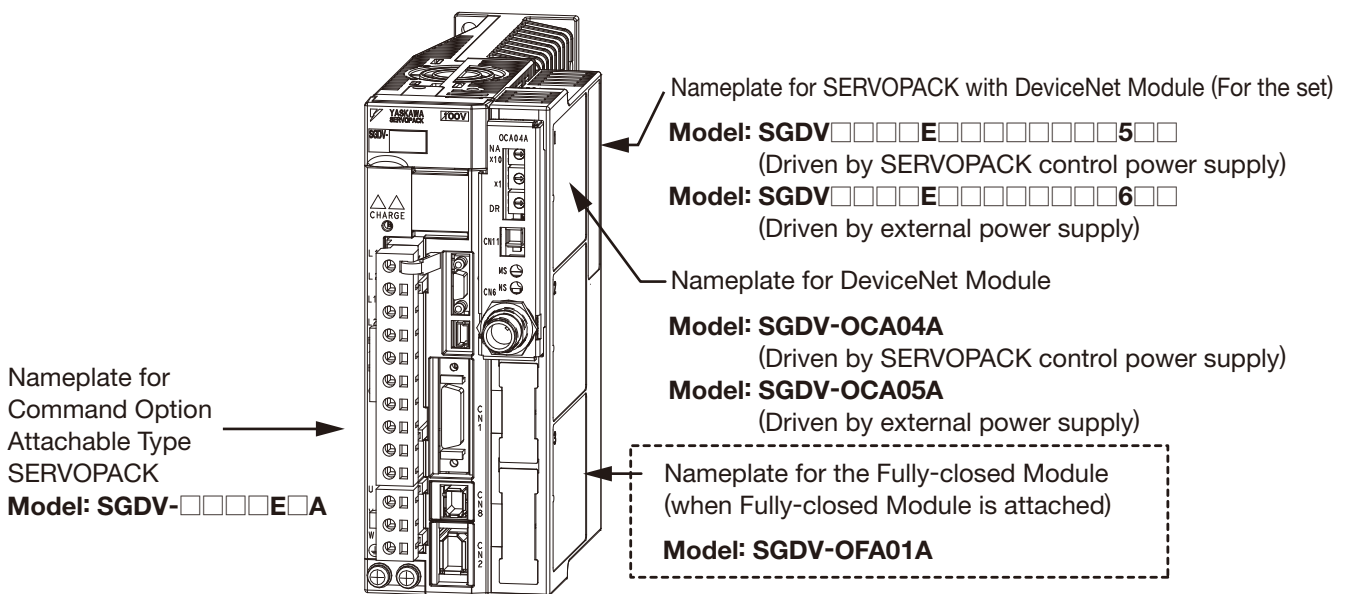
Features

- **Conforms to communication specifications of DeviceNet, an open field network**
 - Motion controls can be easily realized by connecting the SERVOPACK to the host controller with DeviceNet.
 - Wide variety of DeviceNet tools commercially available can be used.
- **Monitor and control data of servo drives with the host controller**
 - Status of servo drives and information on alarms can be monitored from the host controller by using the communications network.
 - Maintenance can be easily done, because data of servo drives is controlled by the host controller. Less time is required for test runs and adjustments, and maintenance work can be done more efficiently.
- **Improved reliability at lower costs with less wiring**
 - Much less wiring is needed, because the host controller and SERVOPACKs are connected with the communications network.
- **Wide variety of position control functions**
 - Each positioning command can be easily executed from the host controller (PCL or PC).
 - Variety of position control methods can be used: Simple positioning, homing, continuous speed operation, switching to positioning, and programmed operations.

AC

DeviceNet

Nameplate



Ratings

Single-phase 100 V

SERVOPACK Model	SGDV□□□□	R70F	R90F	2R1F	2R8F
Applicable Servomotor Max. Capacity	kW	0.05	0.1	0.2	0.4
Continuous Output Current	Arms	0.66	0.91	2.1	2.8
Max. Output Current	Arms	2.1	2.9	6.5	9.3
Regenerative Resistors	None or external				
Main Circuit	Single-phase 100 to 115 VAC+10% to -15% 50/60 Hz				
Control Circuit	Single-phase 100 to 115 VAC+10% to -15% 50/60 Hz				

Single-phase 200 V

SERVOPACK Model	SGDV□□□□	R70A	R90A	1R6A	2R8A	5R5A	120A*
Applicable Servomotor Max. Capacity	kW	0.05	0.1	0.2	0.4	0.75	1.5
Continuous Output Current	Arms	0.66	0.91	1.6	2.8	5.5	11.6
Max. Output Current	Arms	2.1	2.9	5.8	9.3	16.9	28
Regenerative Resistors	None or external						Built-in or external
Main Circuit*	Single-phase 200 to 230 VAC+10% to -15% 50/60 Hz						
Control Circuit*	Single-phase 200 to 230 VAC+10% to -15% 50/60 Hz						

* : The SGDVI20AE1A008000 SERVOPACK rated voltage range is 220 to 230 VAC.

Three-phase 200 V

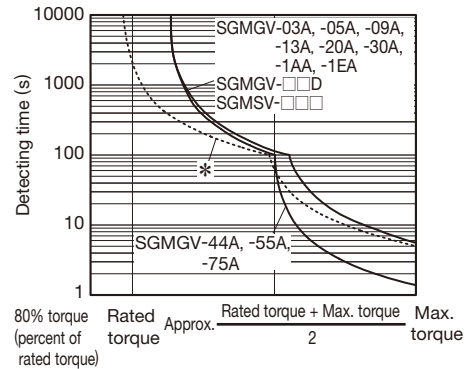
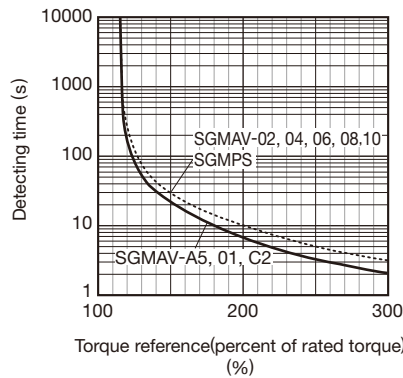
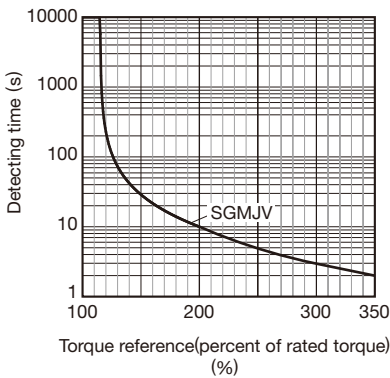
SERVOPACK Mode	SGDV□□□□	R70A	R90A	1R6A	2R8A	3R8A	5R5A	7R6A	120A	180A	200A	330A	470A	550A	590A	780A	
Applicable Servomotor Max. Capacity	kW	0.05	0.1	0.2	0.4	0.5	0.75	1.0	1.5	2.0	3.0	5.0	6	7.5	11	15	
Continuous Output Current	Arms	0.66	0.91	1.6	2.8	3.8	5.5	7.6	11.6	18.5	19.6	32.9	46.9	54.7	58.6	78	
Max. Output Current	Arms	2.1	2.9	5.8	9.3	11	16.9	17	28	42	56	84	110	130	140	170	
Regenerative Resistors	None or external						Built-in or external						External				
Main Circuit	Three-phase 200 to 230 VAC+10% to -15% 50/60 Hz																
Control Circuit	Single-phase 200 to 230 VAC+10% to -15% 50/60 Hz																

Three-phase 400 V

SERVOPACK Model	SGDV□□□□	1R9D	3R5D	5R4D	8R4D	120D	170D	210D	260D	280D	370D
Applicable Servomotor Max. Capacity	kW	0.5	1.0	1.5	2.0	3.0	5.0	6	7.5	11	15
Continuous Output Current	Arms	1.9	3.5	5.4	8.4	11.9	16.5	20.8	25.7	28.1	37.2
Max. Output Current	Arms	5.5	8.5	14	20	28	42	55	65	70	85
Regenerative Resistors	Built-in or external						External				
Main Circuit	Three-phase 380 to 480 VAC+10% to -15% 50/60 Hz										
Control Circuit	24 VDC ±15%										

Note: The entire over voltage category is III.

● SERVOPACK Overload Characteristics



Note: Overload characteristics shown above do not guarantee continuous duty of 100% or more output. Use a servomotor with effective torque within the continuous duty zone of *Torque-Motor Speed Characteristics*.

*: The dotted line indicates the characteristics of a combination of SGDVI200A SERVOPACKS and SGMGV-30A servomotors.

Specifications

● SERVOPACK Specifications

Items		Specifications	
Control Method		IGBT PWM control, sine-wave driven	
Feedback	Rotary Servomotors	Serial encoder: 13-bit (incremental encoder), 17-bit (incremental/absolute encoder), 20-bit (incremental/absolute encoder)	
	Linear Servomotors	Absolute linear scale (The signal resolution varies depending on the absolute linear scale.) Incremental linear scale (The signal resolution varies depending on the incremental linear scale or serial converter unit.)	
Operating Conditions	Ambient Temperature	0 to +55°C	
	Storage Temperature	-20 to +85°C	
	Ambient Humidity	90%RH or less	With no freezing or condensation
	Storage Humidity	90%RH or less	
	Vibration Resistance	4.9 m/s ²	
	Shock Resistance	19.6 m/s ²	
	Protection Class	IP10	An environment that satisfies the following conditions. • Free of corrosive or flammable gases • Free of exposure to water, oil, or chemicals • Free of dust, salts, or iron dust
	Pollution Degree	2	
	Altitude	1000 m or less	
Others	Do not use SERVOPACKs in the following locations: • Locations subject to static electricity noise, strong electromagnetic/magnetic fields, radioactivity		
Applicable Standards		Refer to <i>International Standards</i> on page 454.	
Configuration		Standard: Base-mounted Optional: Rack-mounted, Duct-ventilated	
Performance	Speed Control Range	1:5000 (The lower limit of the speed control range must be lower than the point at which the rated torque does not cause the servomotor to stop.)	
	Speed Regulation*	Load Fluctuation	0% to 100% load: ±0.01% max. (at rated speed)
		Voltage Fluctuation	Rated voltage: ±10% : 0% (at rated speed)
		Temperature Fluctuation	25±25°C : ±0.1% max. (at rated speed)
Torque Control Tolerance (Repeatability)		±1%	
I/O Signal	Encoder Output Pulses		Phase A, phase B, phase C: line driver output The number of dividing pulse: Any setting ratio is available.
	Sequence Input	Input Signals which can be allocated	Number of Channels 7 channels Functions For more information on input signals used with the SERVOPACK, refer to the specifications for the DeviceNet Module on the next page.
		Fixed Output	Servo alarm (ALM)
	Sequence Output	Output Signals which can be allocated	Number of Channels 3 channels Functions For more information on output signals used with the SERVOPACK, refer to the specifications for the DeviceNet Module on the next page.
	Communications	RS-422A Communications	Interface
1:N communications			RS-422A port: N=15 max. available
USB Communications		Axis address setting	Set by parameters
		Interface	Personal computer (can be connected with SigmaWin+.)
		Communications Standard	Compliant with USB1.1 standard (12 Mbps)
Display		One 7-segment LED, CHARGE, and POWER indicators	
Analog Monitor		Number of points: 2 Output voltage: ±10 VDC (linearity effective range ±8 V) Resolution: 16 bit Accuracy: ±20 mV (Typ) Max. output current: ±10 mA Settling time (±1%): 1.2 ms (Typ)	
Dynamic Brake (DB)		Activated when the power supply for the main circuit or the servomotor power is OFF (Servo OFF), when overtravel (OT) or a servo alarm occurs, or during a hardwired base block	
Regenerative Processing		Included (For more information, refer to the previous page.)	
Overtravelling (OT) Prevention		Dynamic brake stop at P-OT or N-OT, deceleration to a stop, or free run to a stop	
Protective Functions		Overcurrent, Overvoltage, low voltage, overload, regeneration error, etc.	
Utility Functions		Gain adjustment, alarm history, JOG operation, origin search, etc.	
Safety Functions	Input	/HWBB1, /HWBB2: Baseblock signal for power module	
	Output	EDM1: Status monitor (fixed output) of built-in safety circuit	
Option Module		Fully-closed Module	

*: Speed regulation by load regulation is defined as follows:

$$\text{Speed regulation} = \frac{\text{No-load motor speed} - \text{Total load motor speed}}{\text{Rated motor speed}} \times 100\%$$

Specifications

● DeviceNet Module Specifications

Items		Specifications	
		SGDV-OCA04A DeviceNet Module (Driven by SERVOPACK control power supply)	SGDV-OCA05A DeviceNet Module (Driven by external power supply)
Power Supply Method	Control Section	Supplied from the control power supply of a command option-attachable SERVOPACK.	Supplied from the DeviceNet cable.
	DeviceNet Communications Section	Supplied from the DeviceNet cable.	
Current Consumption	Control Section	Included in the current consumption of the command option-attachable SERVOPACK.	100 mA max for 24-VDC power supply 200 mA max for 11-VDC power supply
	DeviceNet Communications Section	25 mA max.	
Command Method	Operation Specifications	Positioning via DeviceNet communications	
	Reference input	DeviceNet communications Commands: Movement references (positioning or speed) and homing	
Position Control Functions	Acceleration/Deceleration Method	Linear, asymmetrical, exponential, and S-curve acceleration/deceleration	
	Operating Methods	Simple positioning, homing, continuous speed operation, and switching to positioning	
	Fully-closed Control	Supported.	
Input Signals	Always Assigned to CN1	Counterclockwise overtravel prohibition (CCW-OT), clockwise overtravel prohibition (CW-OT), home signal input (/HOME), and external stop input (EXSTOP)	
Output Signals	Always Assigned to CN1	Brake (/BK), servo alarm (ALM), warning (/WARN), and servo ready (/S-RDY)	
Built-in Functions	Position data latching	Position data can be latched on phase C, the home signal, or the external signal.	
	LED Indicators	<ul style="list-style-type: none"> · MS: Module status · NS: Network status 	
DeviceNet Communications	Specifications	Conforms to those used with the ODVA DeviceNet Specification Release 2.0.	
	Topology	Multidrop or T-branching (1:N)*	
	Max. Number of Nodes	64 nodes (including the master, maximum number of slaves: 63)	
	Connectors for Communications	Micro-style connector (shielded)	
	Baud Rate	125 kbps, 250 kbps, or 500 kbps	
Max. Network Length	125 kbps: 500 m; 250 kbps: 250 m; 500 kbps: 100 m		

*: Externally connected terminating resistance is required.

Power Supply Capacities and Power Losses

Main Circuit Power Supply	Applicable Servomotor Max. Capacity kW	SERVOPACK Model SGDV□□□□	Power Supply Capacity kVA	Output Current Arms	Main Circuit Power Loss W	Regenerative Resistor Power Loss	Control Circuit Power Loss	Total Power Loss
						W	W	W
Signal-phase 100 V	0.05	R70F	0.2	0.66	5.4	—	17	22.4
	0.1	R90F	0.3	0.91	7.8			24.8
	0.2	2R1F	0.7	2.1	14.4			31.4
	0.4	2R8F	1.4	2.8	25.6			42.6
Single-phase 200 V	0.05	R70A	0.2	0.66	5.2	—	17	22.2
	0.1	R90A	0.3	0.91	7.4			24.4
	0.2	1R6A	0.7	1.6	13.7			30.7
	0.4	2R8A	1.2	2.8	24.9			41.9
	0.75	5R5A	1.9	5.5	52.7	8	77.7	
	1.5	120A	4	11.6	68.2	10	22	100.2
Three-phase 200 V	0.05	R70A	0.2	0.66	5.1	—	17	22.1
	0.1	R90A	0.3	0.91	7.3			24.3
	0.2	1R6A	0.6	1.6	13.5			30.5
	0.4	2R8A	1	2.8	24.0			41.0
	0.5	3R8A	1.4	3.8	20.1	8	17	45.1
	0.75	5R5A	1.6	5.5	43.8			68.8
	1.0	7R6A	2.3	7.6	53.6	10	22	78.6
	1.5	120A	3.2	11.6	65.8			97.8
	2.0	180A	4	18.5	111.9	16	27	149.9
	3.0	200A	5.9	19.6	113.8			161.4
	5.0	330A	7.5	32.9	263.7	36	33	326.7
	6.0	470A	10.7	46.9	279.4			(180)* ¹
	7.5	550A	14.6	54.7	357.8	(350)* ²	48	390.8
	11	590A	21.7	58.6	431.7			479.7
15	780A	29.6	78	599.0			647.0	
Three-phase 400 V	0.5	1R9D	1.1	1.9	24.6	14	21	59.6
	1.0	3R5D	2.3	3.5	46.1			81.1
	1.5	5R4D	3.5	5.4	71.3			106.3
	2.0	8R4D	4.5	8.4	77.9	28	25	130.9
	3.0	120D	7.1	11.9	108.7			161.7
	5.0	170D	11.7	16.5	161.1	36	24	221.1
	6.0	210D	12.4	20.8	172.7			(180)* ³
	7.5	260D	14.4	25.7	218.6	(350)* ⁴	30	245.6
	11	280D	21.9	28.1	294.6			324.6
15	370D	30.6	37.2	403.8			433.8	

*1: For the optional JUSP-RA04-E regenerative resistor unit.

*2: For the optional JUSP-RA05-E regenerative resistor unit.

*3: For the optional JUSP-RA18-E regenerative resistor unit.

*4: For the optional JUSP-RA19-E regenerative resistor unit.

Notes: 1 SGDVR70F, R90F, 2R1F, 2R8F, R70A, R90A, 1R6A, and 2R8A SERVOPACKs do not have built-in regenerative resistors.

If the regenerative energy exceeds the specified value, connect an external regenerative resistor (optional).

2 SGDVR470A, 550A, 590A, 780A, 210D, 260D, 280D, 370D SERVOPACKs do not have built-in regenerative resistors.

Be sure to connect a regenerative resistor unit or an external regenerative resistor. For selection details, refer to page 375.

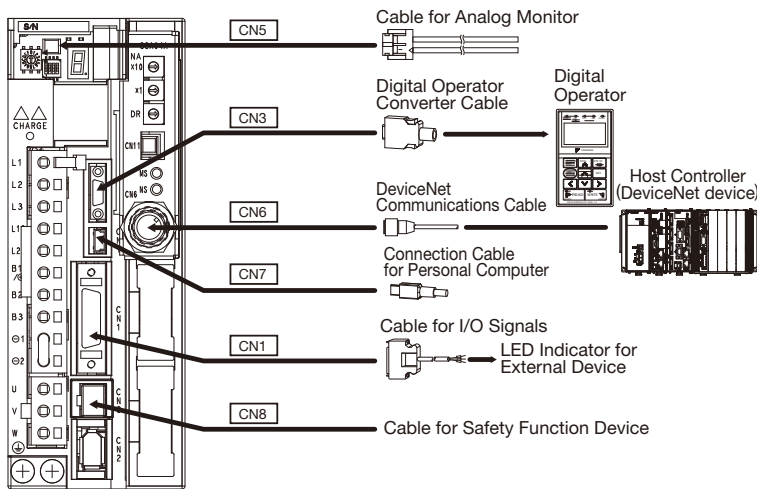
3 Regenerative resistor power losses are allowable losses. Take the following action if this value is exceeded.



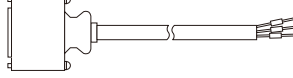




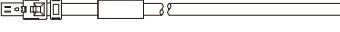
• Remove the lead or short bar that is short-circuiting the SERVOPACK main circuit terminal B2 and B3. (SGDV3R8A, 5R5A, 7R6A, 120A, 180A, 200A, 330A, or 400-V class SERVOPACKs.)

• Install an external regenerative resistor (optional). For selection details, refer to page 375.

Selecting Cables

● Cables for **CN1** **CN3** **CN5** **CN6** **CN7** **CN8** (DeviceNet Module-Mounted SERVOPACK)



Name	Length	Order No.	Specifications	Details	
CN1 Cables for I/O Signals	Connector Kit	JZSP-CSI9-2-E	Soldered 	(1)	
	Connector Terminal Converter Unit	0.5 m	JZSP-TA26P-E	Terminal Block and Connection Cable 	(2)
		1 m	JZSP-TA26P-1-E		
		2 m	JZSP-TA26P-2-E		
	Cable with Loose wire at One End	1 m	JZSP-CSI02-1-E		(3)
		2 m	JZSP-CSI02-2-E		
3 m		JZSP-CSI02-3-E			
CN3	Digital Operator	JZSP-OP05A-1-E	With Connection Cable (1 m) 	(4)	
	Digital Operator Converter Cable*1	0.3 m	JZSP-CVS05-A3-E Cable with Connectors at Both Ends 	(5)	
CN6 DeviceNet Communications Cable		The communications cable must be an ODVA-compliant DeviceNet cable. Yaskawa recommends using the following cable. DCA1-5CN02F1 (Connector with cable by OMRON) or equivalent.			
CN7 Connection Cables for Personal Computer	2.5 m	JZSP-CVS06-02-E	Cable with Connectors at Both Ends 	(6)	
CN5 Cables for Analog Monitor	1 m	JZSP-CA01-E	SERVOPACK End 	(7)	
CN8 Cable for Safety Function Device	Cables with Connector*2	1 m	JZSP-CVH03-01-E		(8)
	3 m	JZSP-CVH03-03-E			
	Connector Kit*3	Contact Tyco Electronics Japan G.K. Product name : Industrial Mini I/O D-shape Type1 Plug Connector Kit Model : 2013595-1			

*1 : A converter cable is required to use Σ -III series digital operators (model: JZSP-OP05A) for Σ -V series SERVOPACKS.

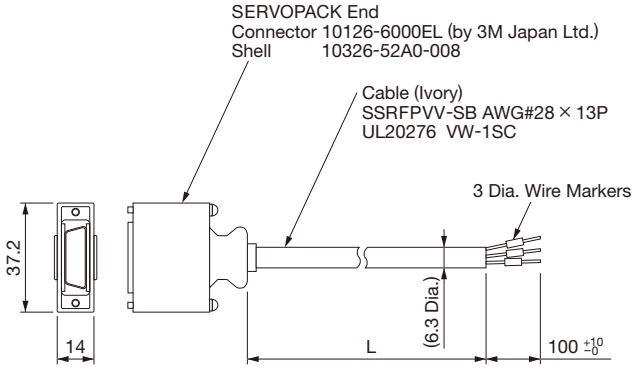
*2 : When using the safety function, connect this cable to the safety devices.

Even when not using the safety function, use SERVOPACKS with the Safe Jumper Connector (model: JZSP-CVH05-E) connected.

*3 : Use the connector kit when you make cables yourself.

Selecting Cables

(3) Cable with Loose Wires at One End for CN1 • External Dimensions (Units: mm)



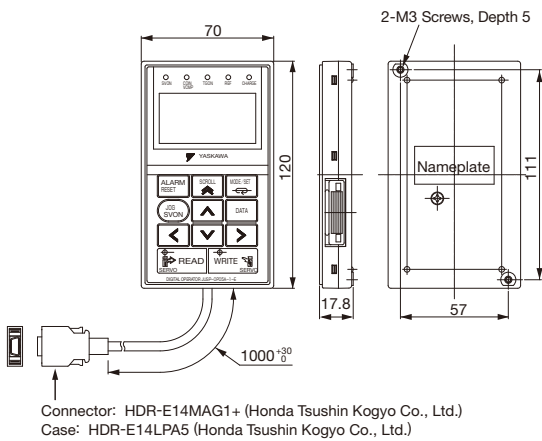
Model	Cable Length
JZSP-CSI02-1-E	1 m
JZSP-CSI02-2-E	2 m
JZSP-CSI02-3-E	3 m

• Cable with Loose Wires at One End for CN1 Connection Diagram of JZSP-CSI02-□-E Cable

Pin No.	Signal	Wire Color	Marking			Host Controller End Lead Marker
			Color	Dots		
1	/WARN+(/SO1+)	Blue	Red	1		1
2	/WARN-(/SO1-)	Blue	Black	1		2
3	ALM+	Pink	Red	1		3
4	ALM-	Pink	Black	1		4
5	-	Green	Red	1		5
6	+24VIN	Green	Black	1		6
7	/ALM-RST	Orange	Red	1		7
8	P-OT	Orange	Black	1		8
9	N-OT	Gray	Red	1		9
10	/DEC	Gray	Black	1		10
11	HOME	Blue	Red	2		11
12	/RGRT	Blue	Black	2		12
13	/S-ON	Pink	Red	2		13
14	BAT(+)	Green	Red	2		14
15	BAT(-)	Green	Black	2		15
16	SG	Pink	Black	2		16
17	PAO	Orange	Red	2		17
18	/PAO	Orange	Black	2		18
19	PBO	Gray	Red	2		19
20	/PBO	Gray	Black	2		20
21	PCO	Blue	Red	3		21
22	/PCO	Blue	Black	3		22
23	/BK+(/SO2+)	Pink	Red	3		23
24	/BK-(/SO2-)	Pink	Black	3		24
25	/S-RDY+(/SO3+)	Green	Red	3		25
26	/S-RDY-(/SO3-)	Green	Black	3		26

↳ Represents twisted-pair wires.

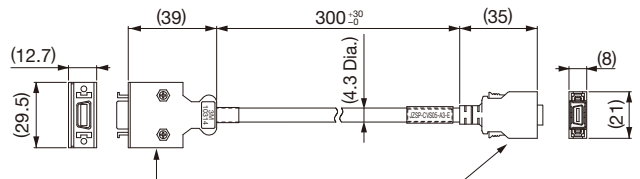
(4) Digital Operator (Model: JUSP-OP05A-1-E) (Units: mm)



(5) Digital Operator Converter Cable for CN3 (Model: JZSP-CVS05-A3-E)

A converter cable is required to use Σ -III series digital operators (model: JUSP-OP05A) for Σ -V series SERVOPACKs.

• External Dimensions (Units: mm)



Connector (14-pole): 10214-6202PL
(3M Japan Ltd.)

Cover: FA458036
(YASKAWA CONTROLS CO., LTD.)

Connector (14-pole): HDR-E14MAG1+
(Honda Tsushin Kogyo Co., Ltd.)

Cover: HDR-E14LPA5
(Honda Tsushin Kogyo Co., Ltd.)



Description of Components

Command Option Attachable Type SERVOPACK (SGDV-□□□□ E1/E5)

● Model Designations

When ordering a SERVOPACK and a DeviceNet module separately, use the following SERVOPACK model number:

S G D V - R70 A E1 A 000 00 0

Σ-V Series
SGDV
SERVOPACK

1st+2nd+3rd digits

4th digit

5th+6th digits

7th digit

8th+9th+10th digits

11th+12th digits

13th digit

1st+2nd+3rd digits Current

Voltage	Code	Applicable Servomotor Max. Capacity kW
Single-phase 100 V	R70	0.05
	R90	0.1
	2R1	0.2
	2R8	0.4
Three-phase 200 V	R70*1	0.05
	R90*1	0.1
	1R6*1	0.2
	2R8*1	0.4
	3R8	0.5
	5R5*1	0.75
	7R6	1.0
	120*2	1.5
	180	2.0
	200	3.0
	330	5.0
	470	6.0
	550	7.5
	590	11
780	15	
Three-phase 400 V	1R9	0.5
	3R5	1.0
	5R4	1.5
	8R4	2.0
	120	3.0
	170	5.0
	210	6.0
	260	7.5
280	11	
370	15	

4th digit Power Supply Voltage

Code	Specifications
F	Single-phase 100 VAC
A	Three-phase 200 VAC
D	Three-phase 400 VAC

5th+6th digits Interface

Code	Specifications
E1	Command option attachable type (For rotary servomotors)
E5	Command option attachable type (For linear servomotors)

7th digit Design Revision Order

A

8th+9th+10th digits Options (hardware)

Code	Specifications
000	Base-mounted (standard)
001	Rack-mounted*3
002	Varnished
003	Rack-mounted*3 and Varnished
008	Single-phase 200 VAC input (Model: SGDV-120AE1A008000)
020	Dynamic brake (DB)*4

11th+12th digits Options (software)

Code	Specifications
00	Standard

13th digit Options (parameter)

Code	Specifications
0	Standard

*1: These amplifiers can be powered with single or three-phase.

*2: Single-phase 200 VAC SERVOPACKs are also available. (Model: SGDV-120AE1A008000)

*3: SERVOPACKs of 6 kW or more are duct-ventilated.

*4: Without any dynamic brake. For 400 VAC models, an external dynamic brake can be installed.

Note: If the option codes digits 8 to 13 are all zeros, they are omitted.

Contact your Yaskawa representative for information on combining options.

Note: An option case kit is always included with an order of a single DeviceNet module or with a SERVOPACK - DeviceNet module set.

DeviceNet Module (SGDV-OCA04A/OCA05A)

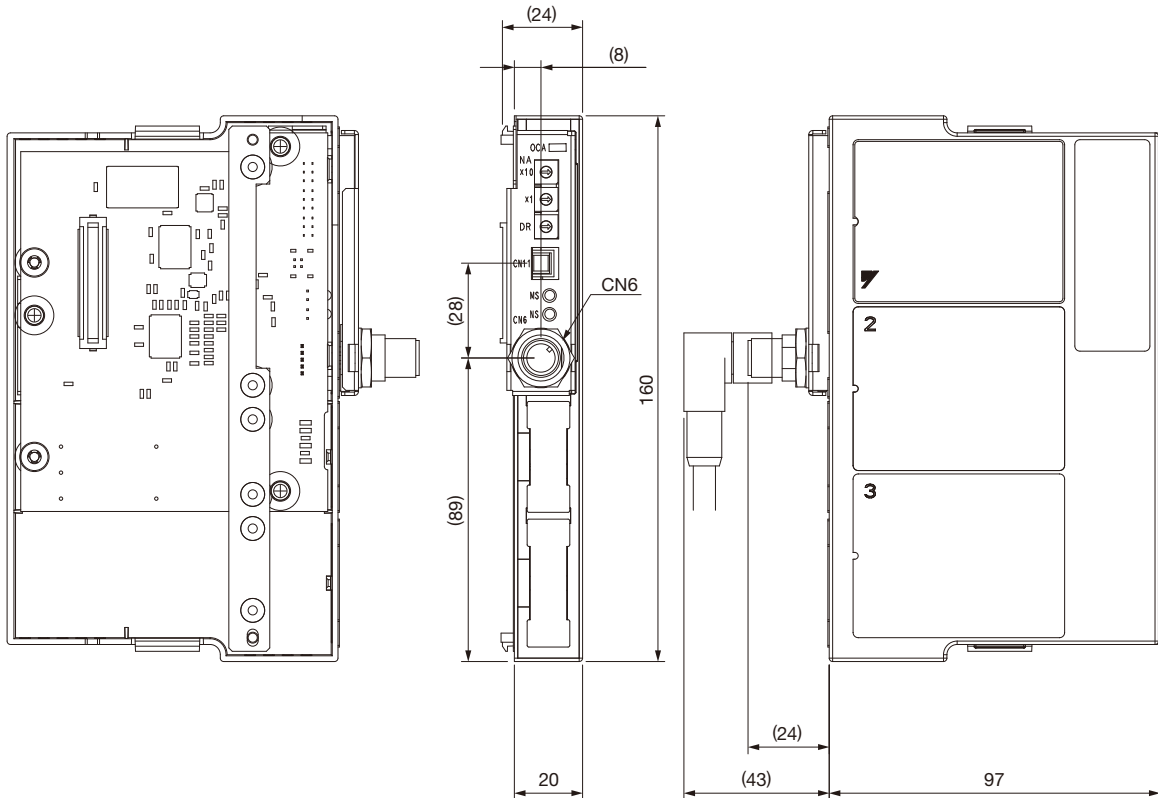
● **Model Designations**

When ordering a SERVOPACK and an DeviceNet module separately, use the following DeviceNet module model number:

SGDV-OCA04A (Driven by SERVOPACK control power supply)

SGDV-OCA05A (Driven by external power supply)

● **External Dimensions** (Units: mm)



Approx. Mass: 0.3 kg

Port	Model	Pin	Manufacturer
CN6	CM02-8DR5P-CF	5	DDK Ltd.

Note: The connectors above or their equivalents are used for SERVOPACKs.

High-performance Type and Optimized-for-application Type SERVOPACKs

SDGV-□□□□□□□□□□EX□□□□

(High-performance Type Σ -V-EX series)

SDGV-□□□□□□□□□□FT□□□□

(Optimized-for-application Type Σ -V-FT series)



Model Designations

• High-performance Type Σ -V-EX series

S G D V - R70 A 21 B 000 EX001

Σ -V-EX Series
SGDV
SERVOPACK

1st+2nd+3rd digits

4th digit

5th+6th digits

7th digit

8th+9th+10th digits

11th+12th+13th+14th+15th digits

1st+2nd+3rd digits Current

Voltage	Code	Applicable Servomotor Max. Capacity kW
Single-phase 100 V	R70* ⁶	0.05
	R90* ⁶	0.1
	2R1	0.2
	2R8	0.4
Three-phase 200 V	R70* ¹ * ⁶	0.05
	R90* ¹ * ⁶	0.1
	1R6* ¹ * ⁶	0.2
	2R8* ¹ * ⁶	0.4
	3R8	0.5
	5R5* ¹	0.75
	7R6	1.0
	120* ²	1.5
	180	2.0
	200	3.0
	330	5.0
	470* ³ * ⁴	6.0
	550* ³	7.5
	590* ³ * ⁴	11
780* ³ * ⁴	15	
Three-phase 400 V	1R9	0.5
	3R5	1.0
	5R4	1.5
	8R4	2.0
	120	3.0
	170	5.0
	210* ³ * ⁴	6.0
	260* ³	7.5
	280* ³ * ⁴	11
	370* ³ * ⁴	15

4th digit Power Supply Voltage

Code	Specifications
F	Single-phase 100 VAC
A	Three-phase 200 VAC
D	Three-phase 400 VAC

5th+6th digits Interface

Code	Interface	Applicable Model
01	Analog voltage/pulse train reference (for rotary servomotors)	EX002
05	Analog voltage/pulse train reference (for linear servomotors)	
21	MECHATROLINK-III communications Reference (for rotary servomotors)	EX001, EX002
25	MECHATROLINK-III communications Reference (for linear servomotors)	

Design Revision Order

A, B...⁶

8th+9th+10th digits Hardware Specifications

Code	Specifications
000	Base-mounted (standard)
001	Rack-mounted* ⁴
002	Varnished
003	Rack-mounted* ⁴ and Varnished
008	Single-phase 200 VAC input* ³ (Model: SGD V-120A □ 1A008)
020	Dynamic brake (DB)* ⁵

11th+12th+13th+14th+15th digits Functions

Code	Specifications
EX001* ⁷	For 125 μ s communications cycle
EX002	For less deviation

- *1: These amplifiers can be powered with single or three-phase.
- *2: Single-phase 200 VAC SERVOPACKs are also available. (Model: SGD V-120A □ 1A008)
- *3: Only SERVOPACKs for rotary servomotors are available.
- *4: SERVOPACKs of 6 kW or more are duct-ventilated.
- *5: Without any dynamic brake. For 400 VAC models, an external dynamic brake can be installed.
- *6: Design revision order shown in 7th digit is B.
- *7: Combination with Option Modules is not available.

Features

● High-performance Type Σ -V-EX Series

High-performance Σ -V-EX SERVOPACKs are available in two models.

- EX001 (With high speed, M-III communications): Improves tracking accuracy and throughput with the minimum communications cycle of 125 μ s which makes command response faster.
- EX002 (Less Deviation): Tracking ability to follow commands is extremely high and provides even greater accuracy in tracking control.

● Optimized-for-application Type Σ -V-FT Series

Σ -V-FT SERVOPACKs are available in five models with functions useful for specific applications.

- FT001 (For high-level vibration suppression): Equipped with improved vibration suppression function to help reduce the positioning time.
- FT003 (With Pressure Feedback): Helps increase performance of equipment with the high-accuracy pressure control.
- FT005 (For Handling Rotary Table Applications): Equipped with a rotational coordinate system and triggers at pre-set positions to enable smooth and high-accuracy control of rotary tables.
- FT006 (With Triggers at Pre-set Positions): Outputs trigger signals at pre-set positions without using the host controller as an intermediary.
- FT008 (For Absolute Position Detecting System Applications): Can build absolute position detecting systems with any host controller.

Model Designations

● Optimized-for-application Type Σ -V-FT series

S G D V - R70 A 21 B 000 FT001

Σ -V-FT Series
SGDV
SERVOPACK

1st+2nd+3rd digits

4th digit

5th+6th digits

7th digit

8th+9th+10th digits

11th+12th+13th+14th+15th digits

1st+2nd+3rd digits Current

Voltage	Code	Applicable Servomotor Max. Capacity kW
Single-phase 100 V	R70*6	0.05
	R90*6	0.1
	2R1	0.2
	2R8	0.4
Three-phase 200 V	R70*1*6	0.05
	R90*1*6	0.1
	1R6*1*6	0.2
	2R8*1*6	0.4
	3R8	0.5
	5R5*1	0.75
	7R6	1.0
	120*2	1.5
	180	2.0
	200	3.0
	330	5.0
	470*3*4	6.0
	550*3	7.5
	590*3*4	11
780*3*4	15	
Three-phase 400 V	1R9	0.5
	3R5	1.0
	5R4	1.5
	8R4	2.0
	120	3.0
	170	5.0
	210*3*4	6.0
	260*3	7.5
	280*3*4	11
	370*3*4	15

4th digit Power Supply Voltage

Code	Specifications
F	Single-phase 100 VAC
A	Three-phase 200 VAC
D	Three-phase 400 VAC

5th+6th digits Interface

Code	Interface	Applicable Model
01	Analog voltage/pulse train reference (for rotary servomotors)	FT001, FT008
11	MECHATROLINK-II communications Reference (for rotary servomotors)	FT003
15	MECHATROLINK-II communications Reference (for linear servomotors)	
21	MECHATROLINK-III communications Reference (for rotary servomotors)	FT001 to FT006
25	MECHATROLINK-III communications Reference (for linear servomotors)	FT003, FT006

7th digit Design Revision Order

A, B...*6

8th+9th+10th digits Hardware Specifications

Code	Specifications
000	Base-mounted (standard)
001	Rack-mounted*4
002	Varnished
003	Rack-mounted*4 and Varnished
008	Single-phase 200 VAC input*3 (Model: SGDV-120A □ 1A008)
020	Dynamic brake (DB)*5

11th+12th+13th+14th+15th digits Functions

Code	Specifications
FT001	High-level vibration suppression
FT003*7	Pressure feedback control
FT005*7	For handling rotary table applications
FT006	Triggers at pre-set positions
FT008*7	For absolute position detecting system applications

*1: These amplifiers can be powered with single or three-phase.

*2: Single-phase 200 VAC SERVOPACKs are also available. (Model: SGDV-120A □ 1A008)

*3: Only SERVOPACKs for rotary servomotors are available.

*4: SERVOPACKs of 6 kW or more are duct-ventilated.

*5: Without any dynamic brake. For 400 VAC models, an external dynamic brake can be installed.

*6: Design revision order shown in 7th digit is B.

*7: Combination with a safety module is not available.



SERVOPACK External Dimensions

SERVOPACK external dimensions are described for each model, without option module and with option module, in the following pages.

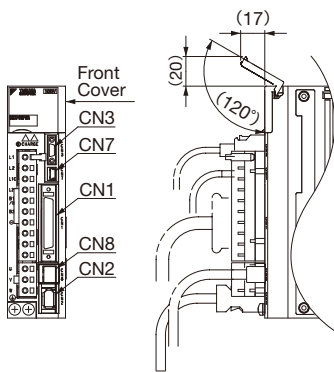
SERVOPACK	Mounting	Without Option Module	With Option Module
Analog Voltage/Pulse Train Reference SERVOPACK, MECHATROLINK-II Communications Reference SERVOPACK, MECHATROLINK-III Communications Reference SERVOPACK	Base-mounted	Page 329 to 334	Page 341 to 348
	Rack-mounted*	Page 335 to 340	Page 349 to 356
INDEXER Module-Mounted SERVOPACK, DeviceNet Module-Mounted SERVOPACK	Base-mounted	—	Page 341 to 348
	Rack-mounted*	—	Page 349 to 356

*: SERVOPACKs of 6 kW or more are duct-ventilated.

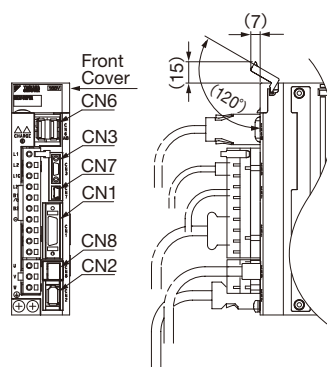
● Dimensional Drawings

All drawings on the following pages show the exterior of the analog voltage/pulse train reference SERVOPACK (page 329 to 356) as examples. Refer to the drawings on this page for information (dimensions of connections and front covers) on specific SERVOPACK models.

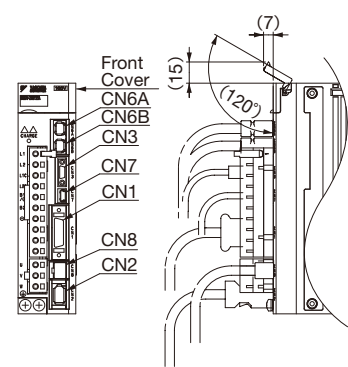
• Analog Voltage/Pulse Train Reference SERVOPACK



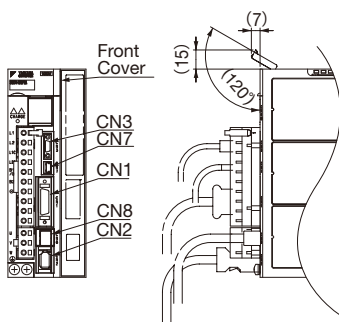
• MECHATROLINK-II Communications Reference SERVOPACK



• MECHATROLINK-III Communications Reference SERVOPACK



• INDEXER Module-Mounted SERVOPACK • DeviceNet Module-Mounted SERVOPACK



Connector

Port	Model	Pin	Manufacturer
CN1*1	10250-52A2PL	50	3M Japan Ltd.
CN1*2	10226-52A2PL	26	3M Japan Ltd.
CN2	53984-0671	6	Molex Japan LLC
CN3	HDR-EC14LFDTN-SLE-PLUS	14	Honda Tsushin Kogyo Co., Ltd.
CN6	1903815-1	8	Tyco Electronics Japan G.K.
CN6A	1981386-1	8	Tyco Electronics Japan G.K.
CN6B	1981386-1	8	Tyco Electronics Japan G.K.
CN7	MNC23-5K5H00	5	ADVANCED-CONNECTEK INC.
CN8	1981080-1	8	Tyco Electronics Japan G.K.

*1: For Analog Voltage/Pulse Train Reference SERVOPACKs

*2: For MECHATROLINK- II /III Communications Reference SERVOPACKs, INDEXER Module-Mounted SERVOPACKs, and DeviceNet Module-Mounted SERVOPACKs

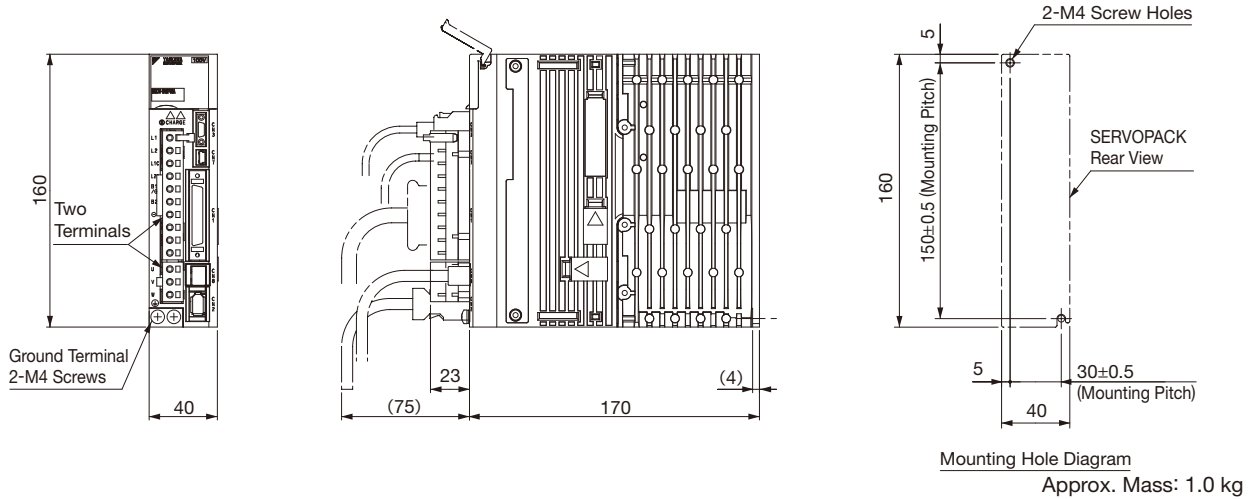
Note: The connectors above or their equivalents are used for SERVOPACKs.

Note: Base-mounted SERVOPACKs can be mounted on a rack by using metal fittings for rack-mounting. Contact your Yaskawa representative for details.

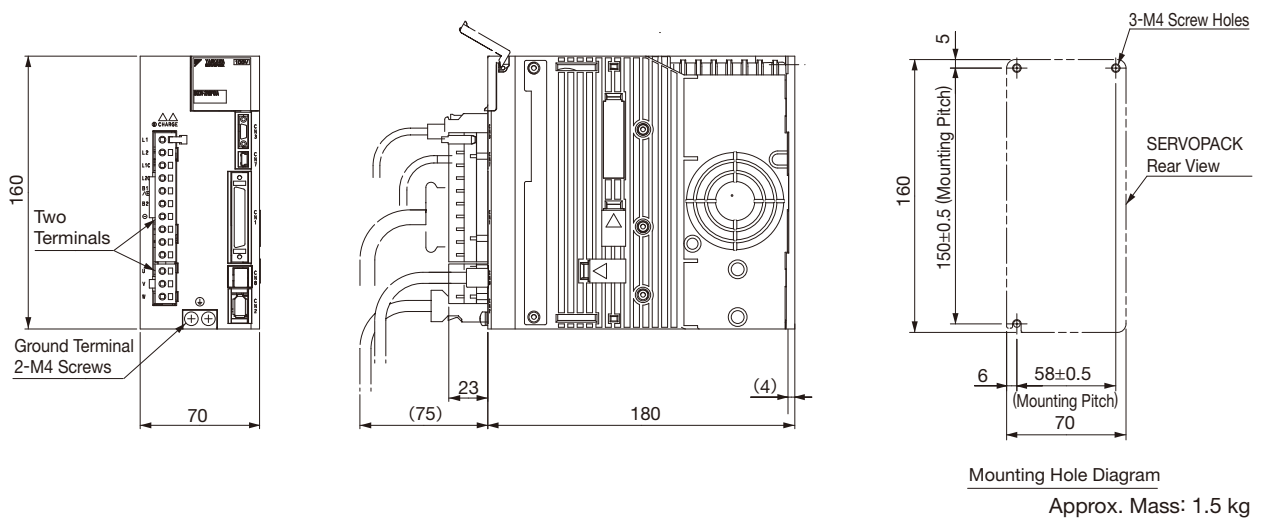
External Dimensions Units: mm (Without Option Module)

● **Base-Mounted SERVOPACKs**

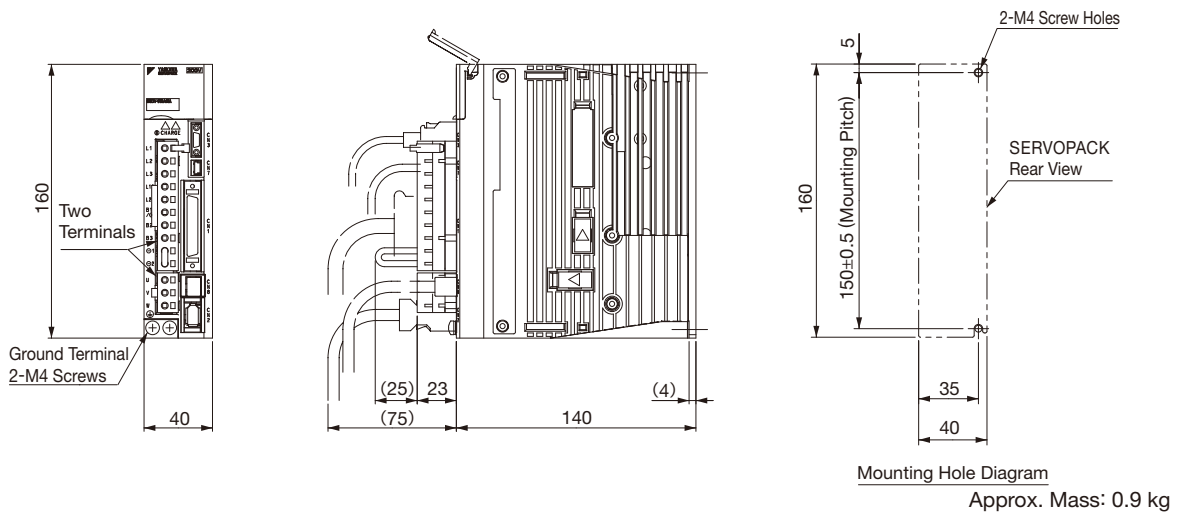
(1) Single-phase 100 VAC, Model: SGDV-R70F, -R90F, and -2R1F



(2) Single-phase 100 VAC, Model: SGDV-2R8F



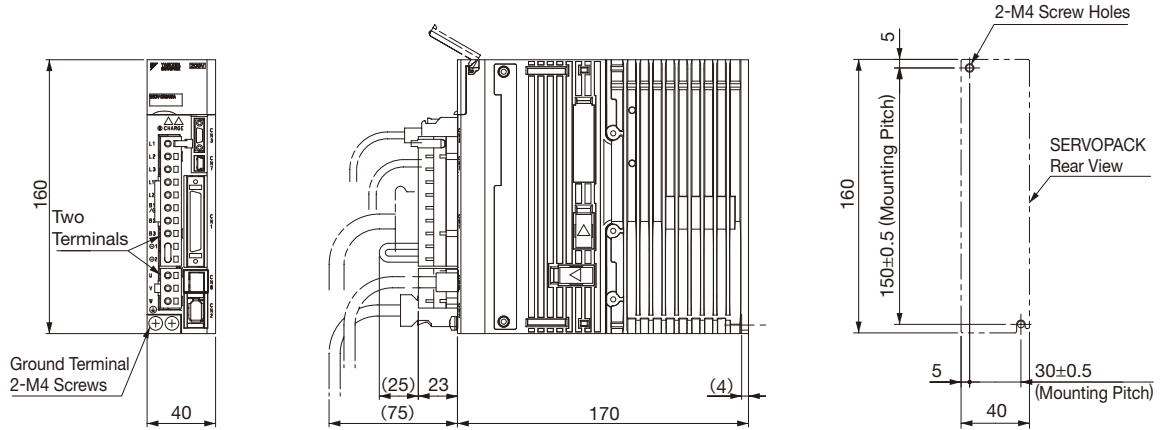
(3) Three-phase 200 VAC, Model: SGDV-R70A, -R90A, and -1R6A



External Dimensions Units: mm (Without Option Module)

● Base-Mounted SERVOPACKS

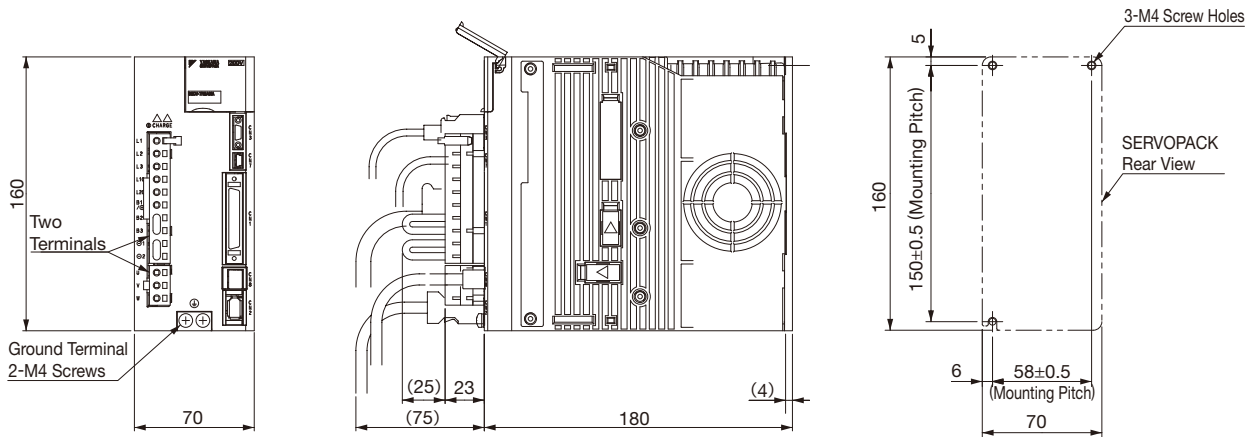
(4) Three-phase 200 VAC, Model: SGDV-2R8A



Mounting Hole Diagram

Approx. Mass: 1.0 kg

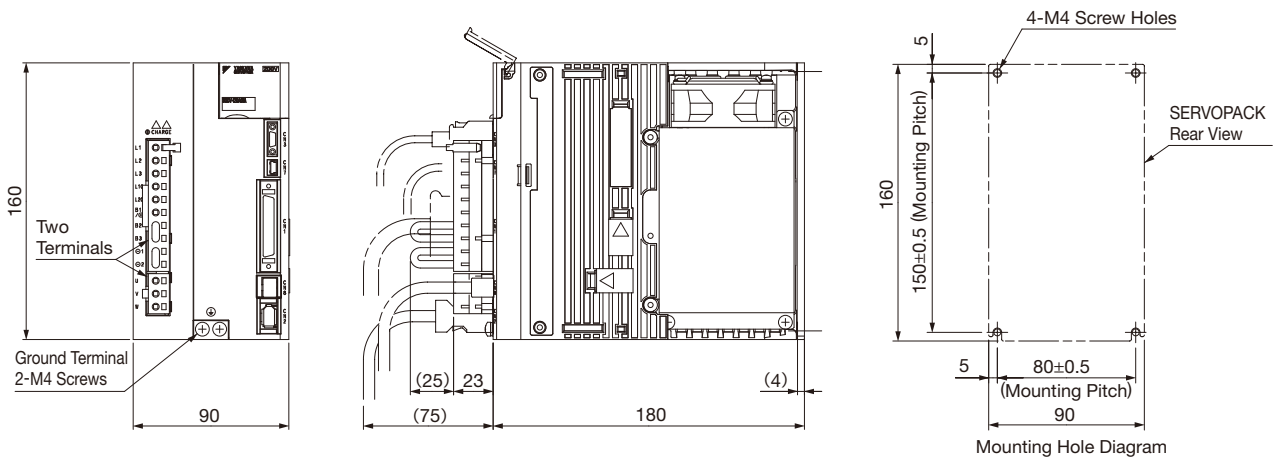
(5) Three-phase 200 VAC, Model: SGDV-3R8A, -5R5A, and -7R6A



Mounting Hole Diagram

Approx. Mass: 1.5 kg

(6) Three-phase 200 VAC, Model: SGDV-120A

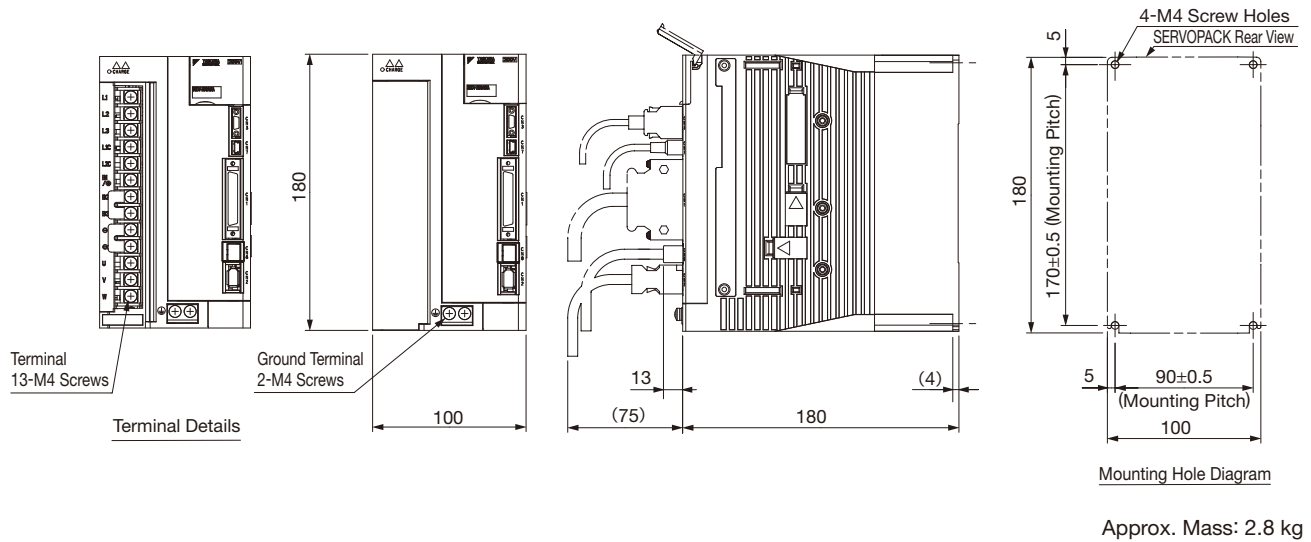


Mounting Hole Diagram

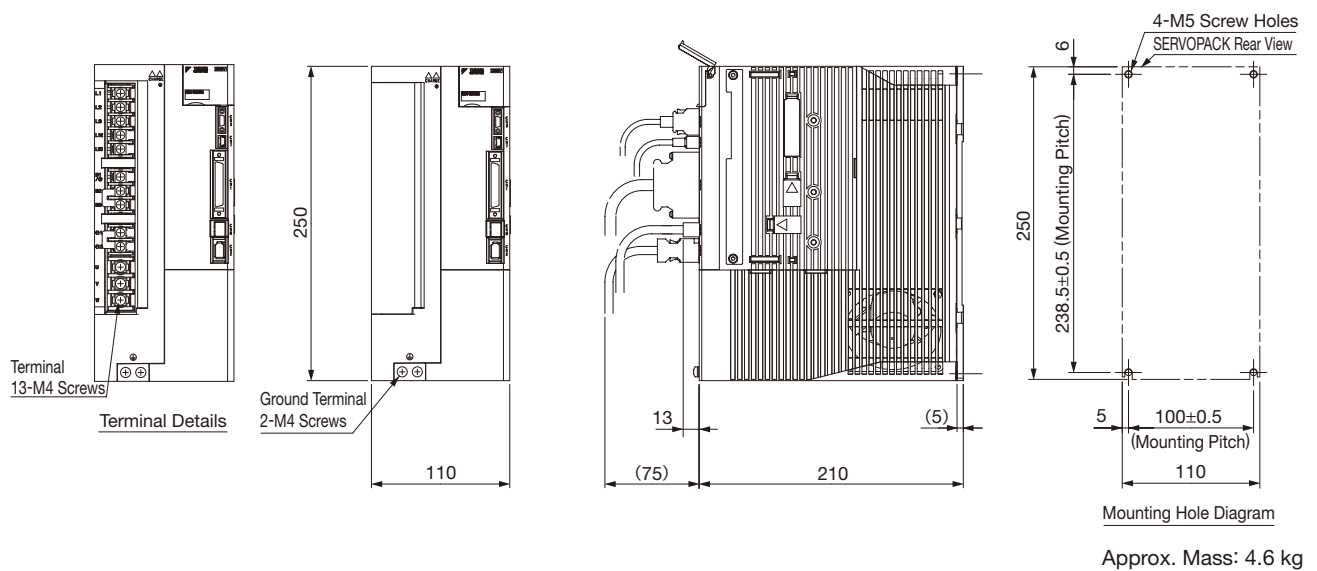
Approx. Mass: 2.4 kg

External Dimensions Units: mm (Without Option Module)

(7) Single-phase 200 VAC, Model: SGDV-120A□1A008000 (1.5kW, single-phase input)
 Three-phase 200 VAC, Model: SGDV-180A and -200A



(8) Three-phase 200 VAC, Model: SGDV-330A



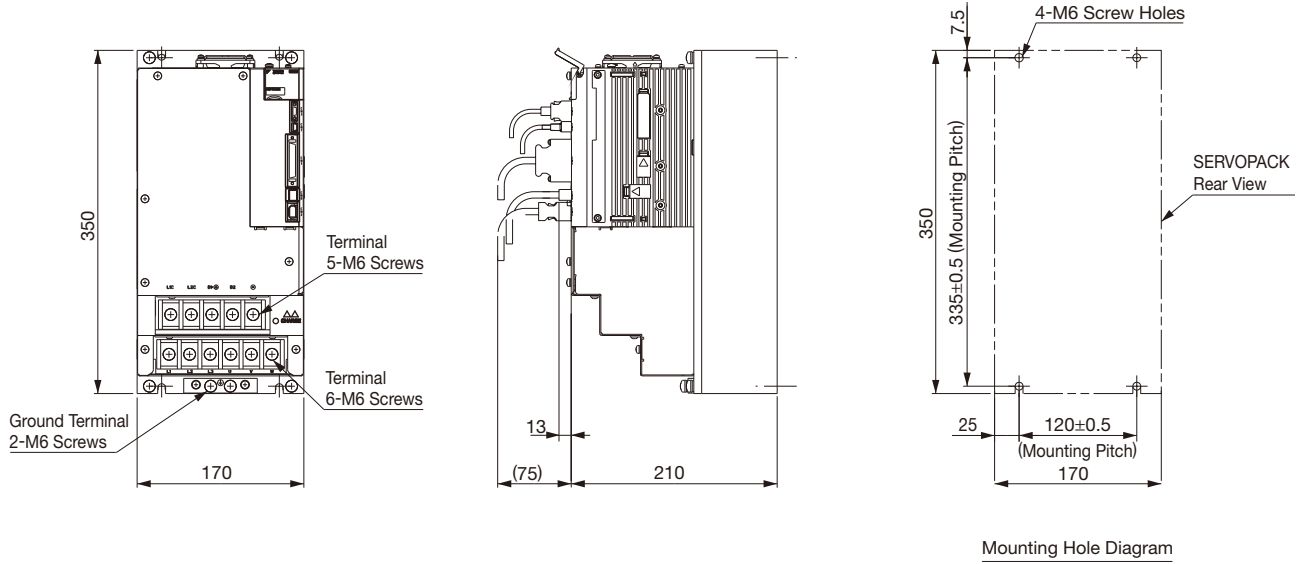
AC

SERVOPACK External Dimensions

External Dimensions Units: mm (Without Option Module)

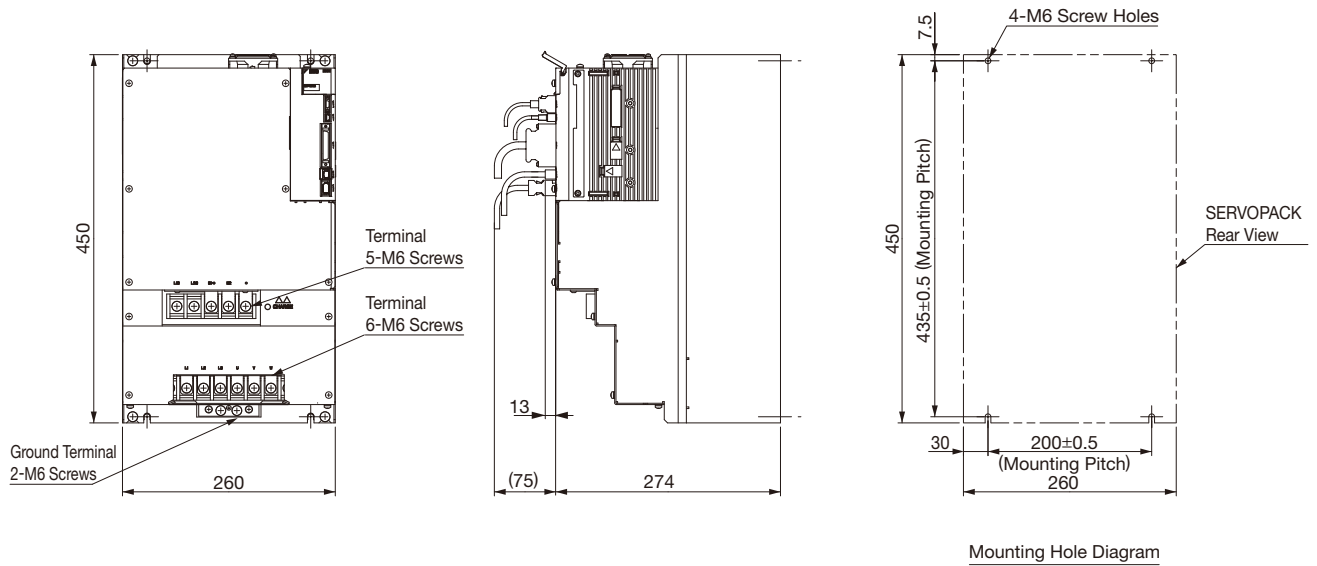
● Base-Mounted SERVOPACKs

(9) Three-phase 200 VAC, Model: SGDV-470A and -550A



Approx. Mass: 10.2 kg

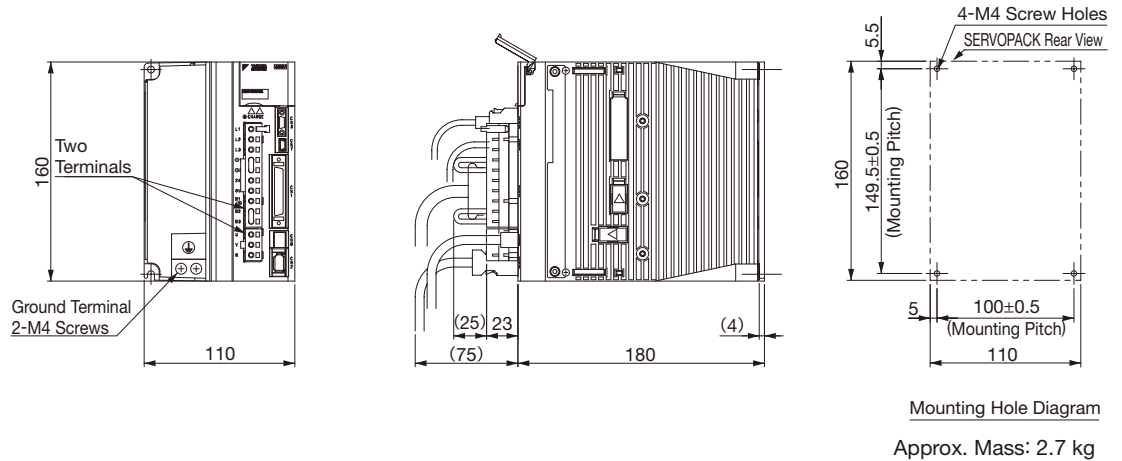
(10) Three-phase 200 VAC, Model: SGDV-590A and -780A



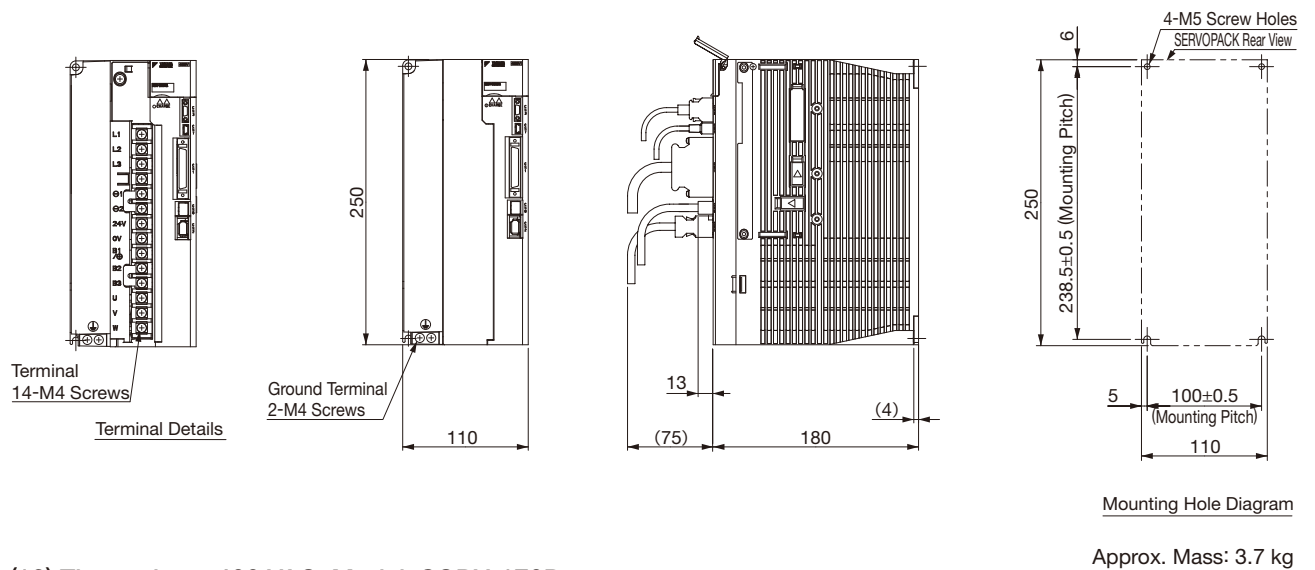
Approx. Mass: 21.3 kg

External Dimensions Units: mm (Without Option Module)

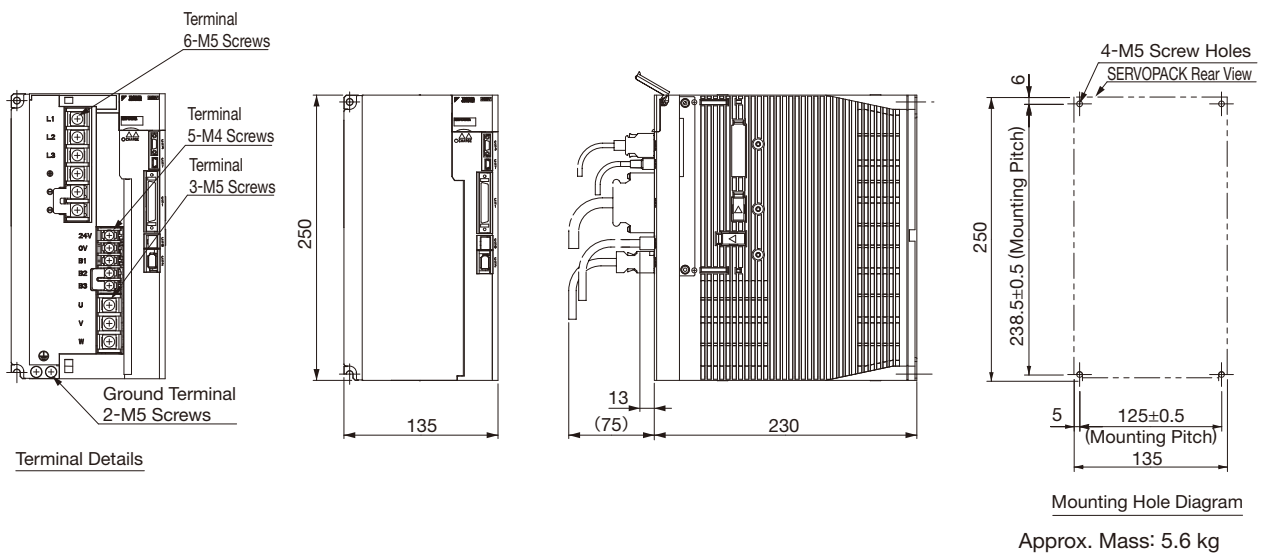
(11) Three-phase 400 VAC, Model: SGDV-1R9D, -3R5D, and -5R4D



(12) Three-phase 400 VAC, Model: SGDV-8R4D and -120D



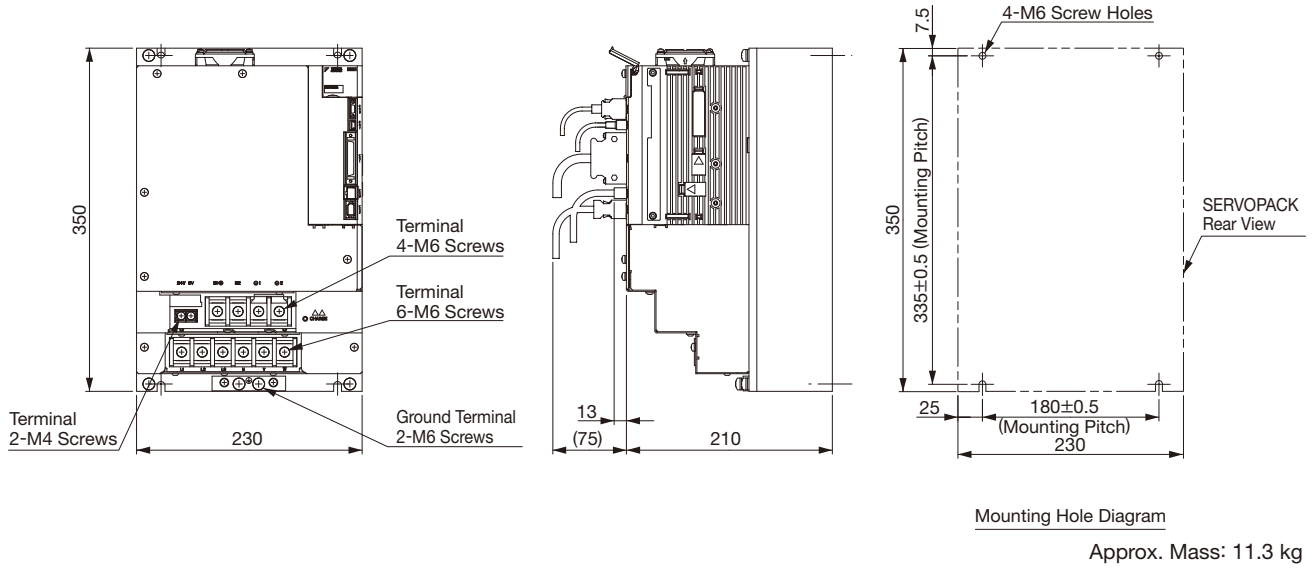
(13) Three-phase 400 VAC, Model: SGDV-170D



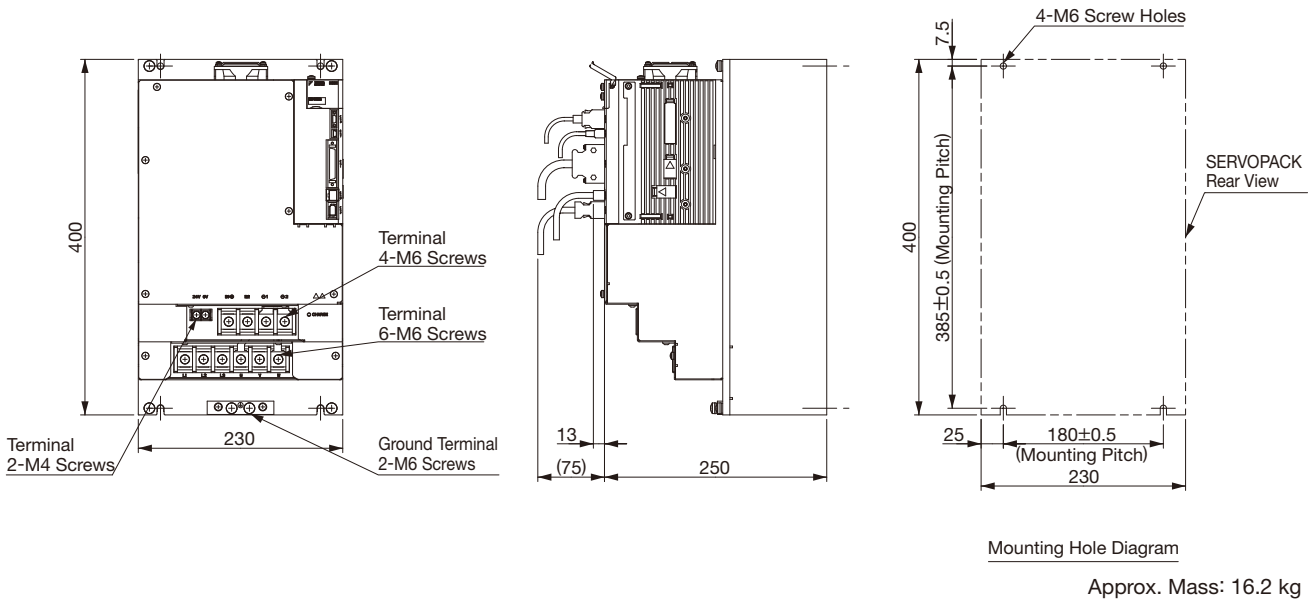
External Dimensions Units: mm (Without Option Module)

● Base-Mounted SERVOPACKS

(14) Three-phase 400 VAC, Model: SGDV-210D and -260D

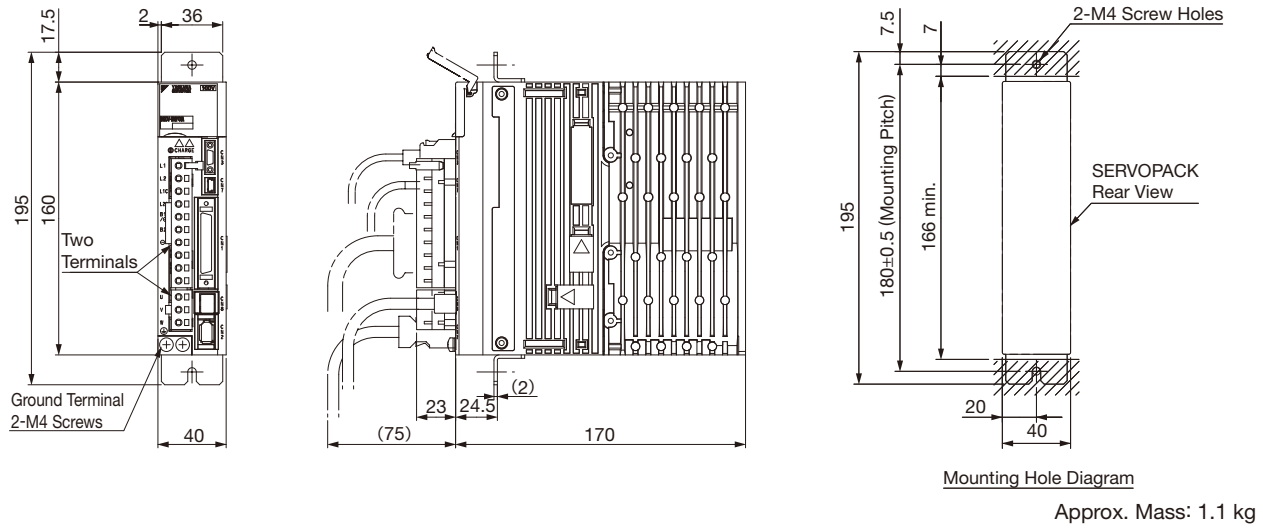


(15) Three-phase 400 VAC, Model: SGDV-280D and -370D

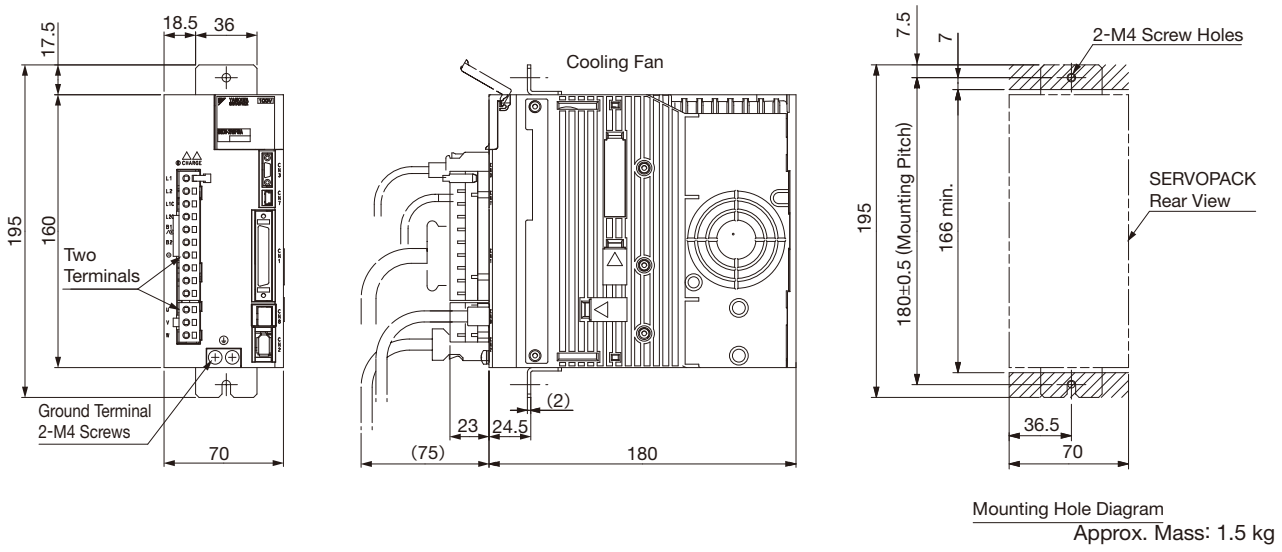


External Dimensions Units: mm (Without Option Module)

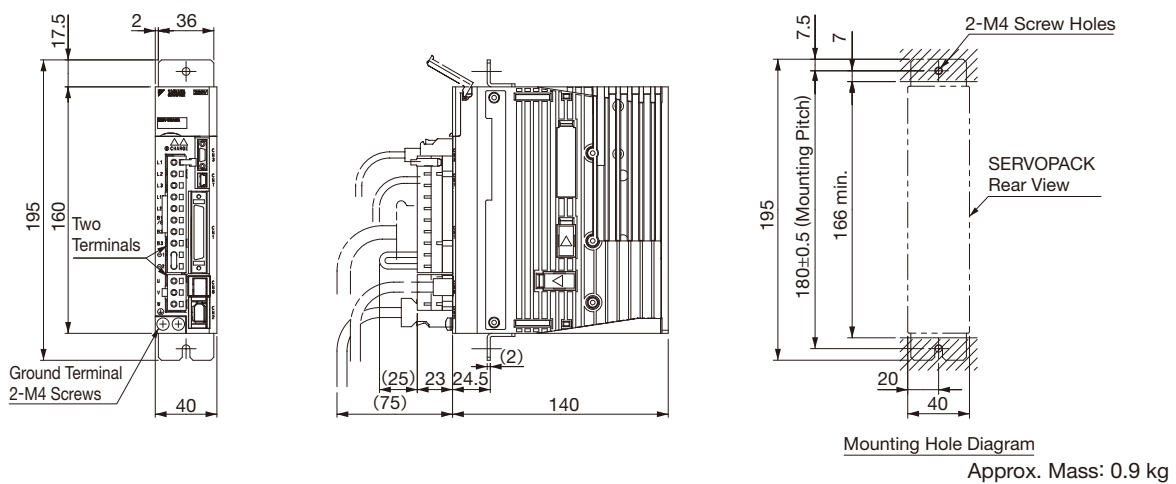
- Rack-mounted SERVOPACKs (Hardware option code: 001)
- (1) Single-phase 100 VAC, Model: SGDV-R70F, -R90F, and -2R1F



- (2) Single-phase 100 VAC, Model: SGDV-2R8F



- (3) Three-phase 200 VAC, Model: SGDV-R70A, -R90A, and -1R6A

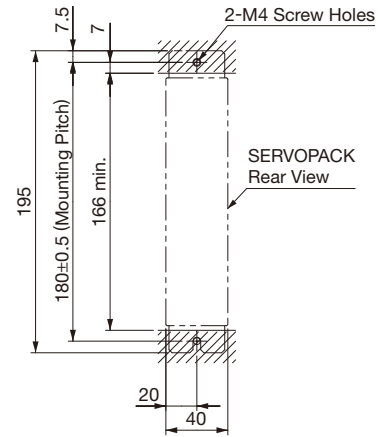
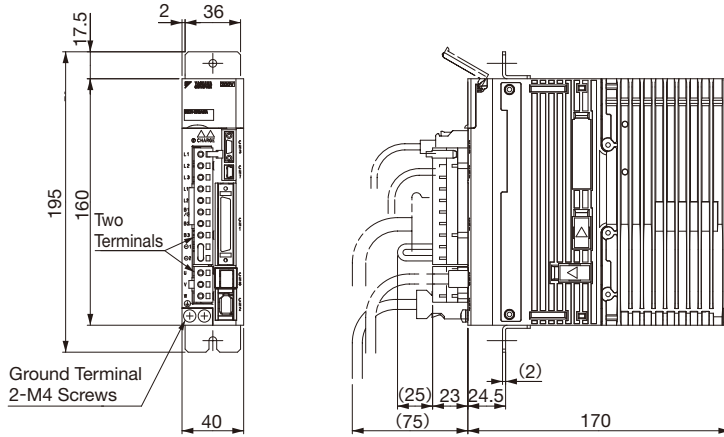


AC
 SERVOPACK External Dimensions

External Dimensions Units: mm (Without Option Module)

● Rack-mounted SERVOPACKs (Hardware option code: 001)

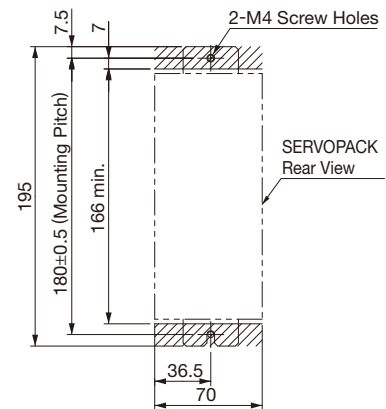
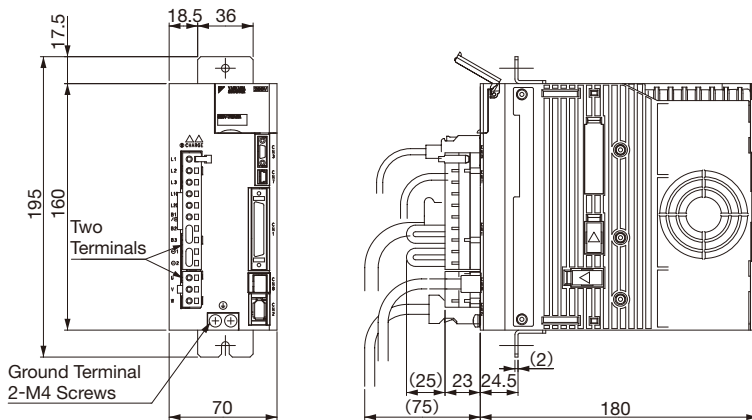
(4) Three-phase 200 VAC, Model: SGDV-2R8A



Mounting Hole Diagram

Approx. Mass: 1.0 kg

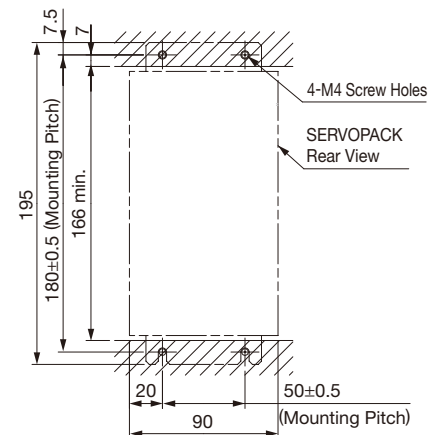
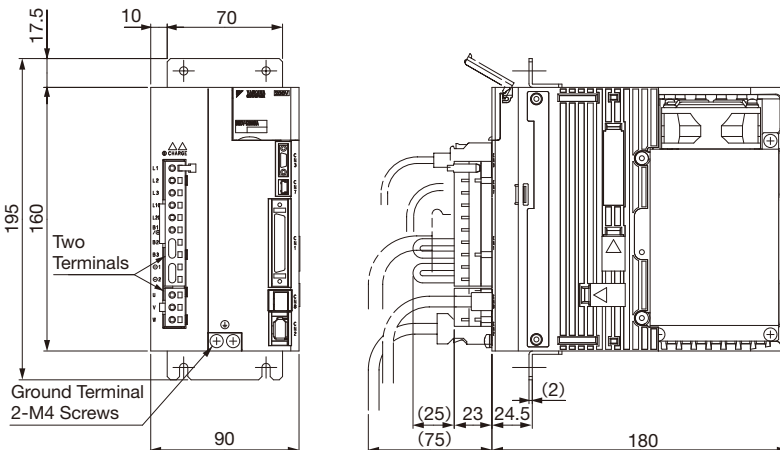
(5) Three-phase 200 VAC, Model: SGDV-3R8A, -5R5A, and -7R6A



Mounting Hole Diagram

Approx. Mass: 1.5 kg

(6) Three-phase 200 VAC, Model: SGDV-120A

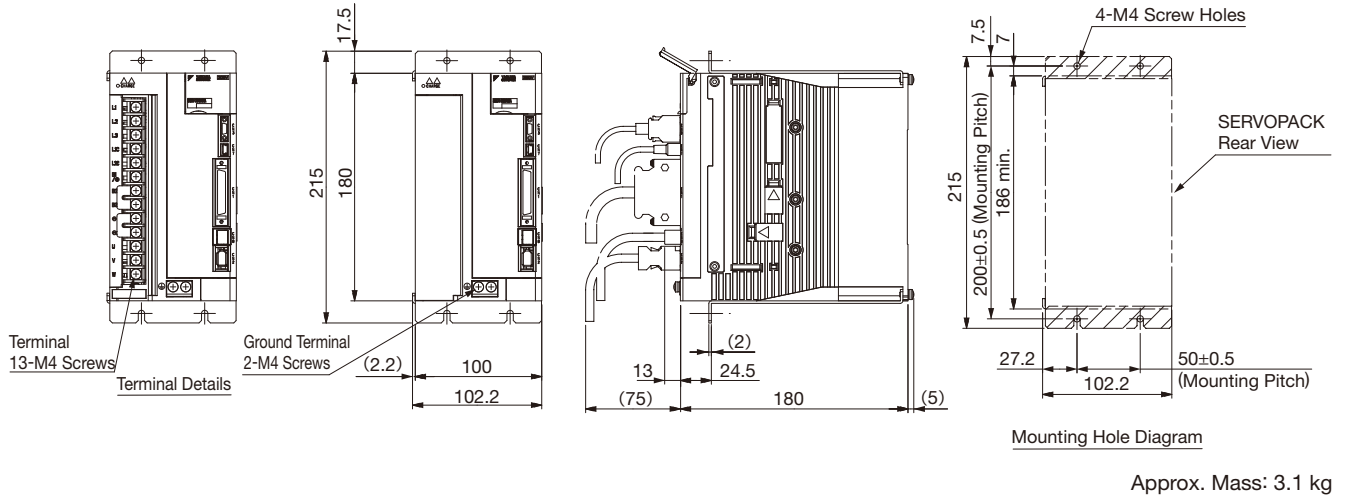


Mounting Hole Diagram

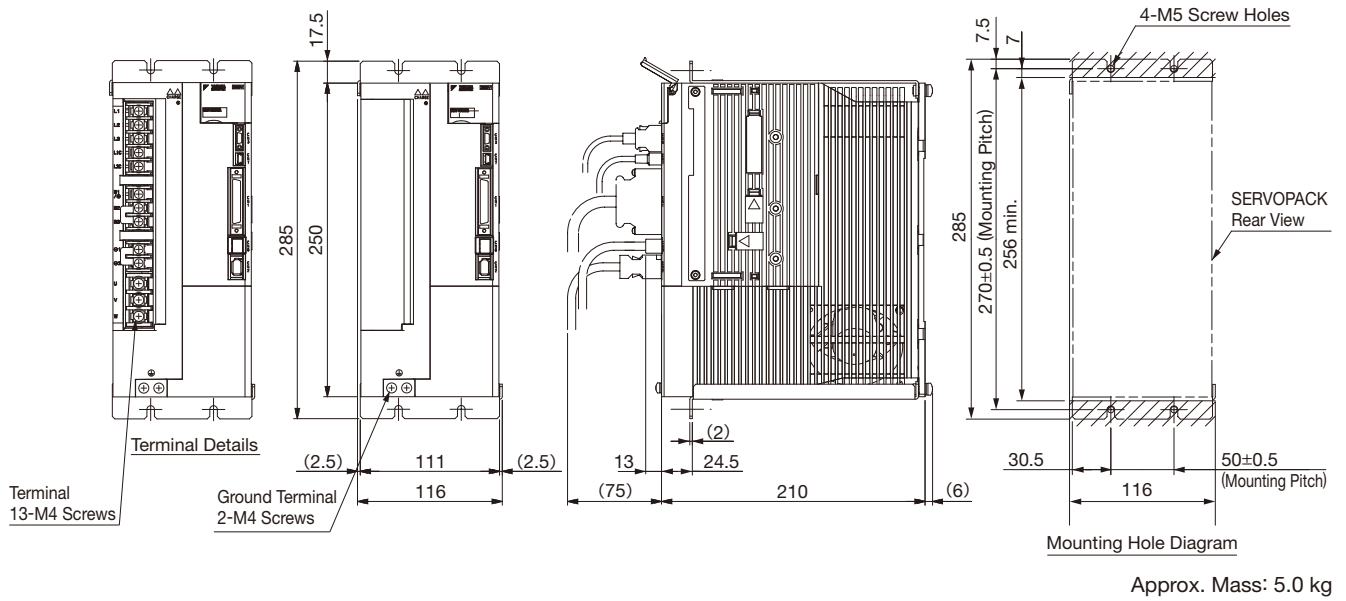
Approx. Mass: 2.5 kg

External Dimensions Units: mm (Without Option Module)

(7) Three-phase 200 VAC, Model: SGDV-180A and -200A



(8) Three-phase 200 VAC, Model: SGDV-330A

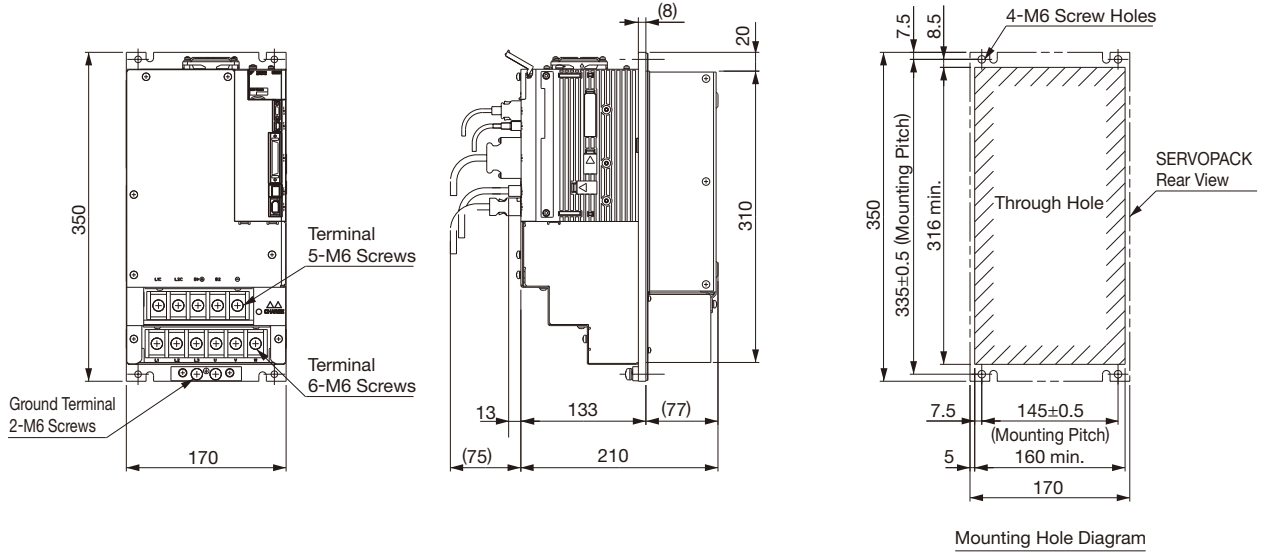


AC

SERVOPACK External Dimensions

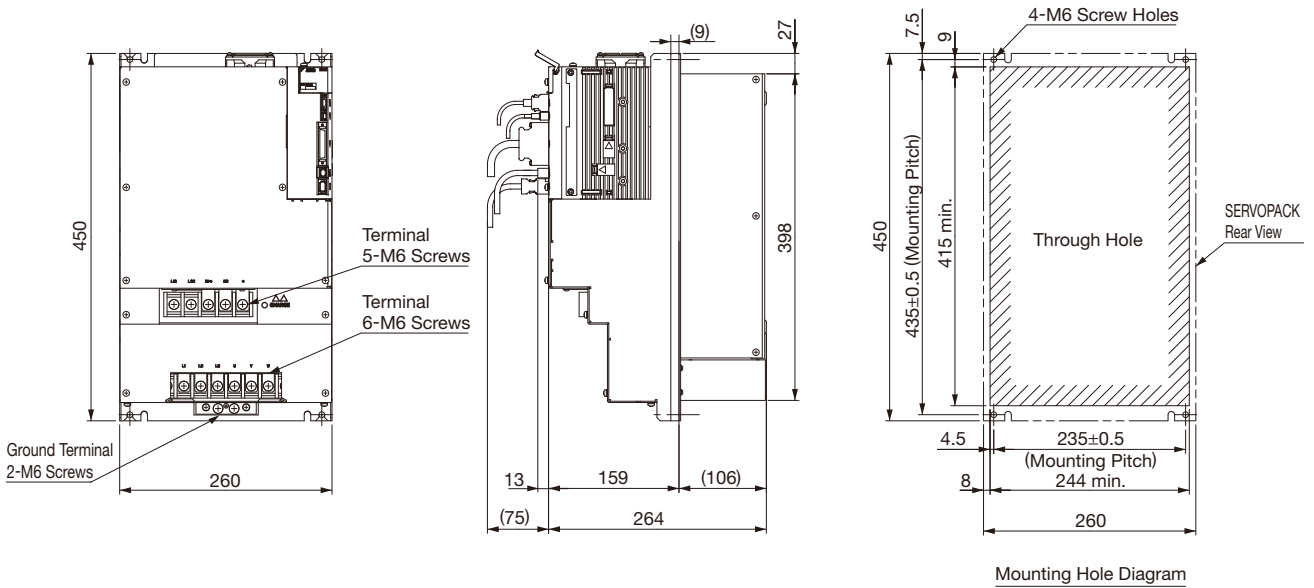
External Dimensions Units: mm (Without Option Module)

- Rack-mounted SERVOPACKs (Hardware option code: 001, duct-ventilated)
 - (9) Three-phase 200 VAC, Model: SGDV-470A and -550A



Approx. Mass: 8.5 kg

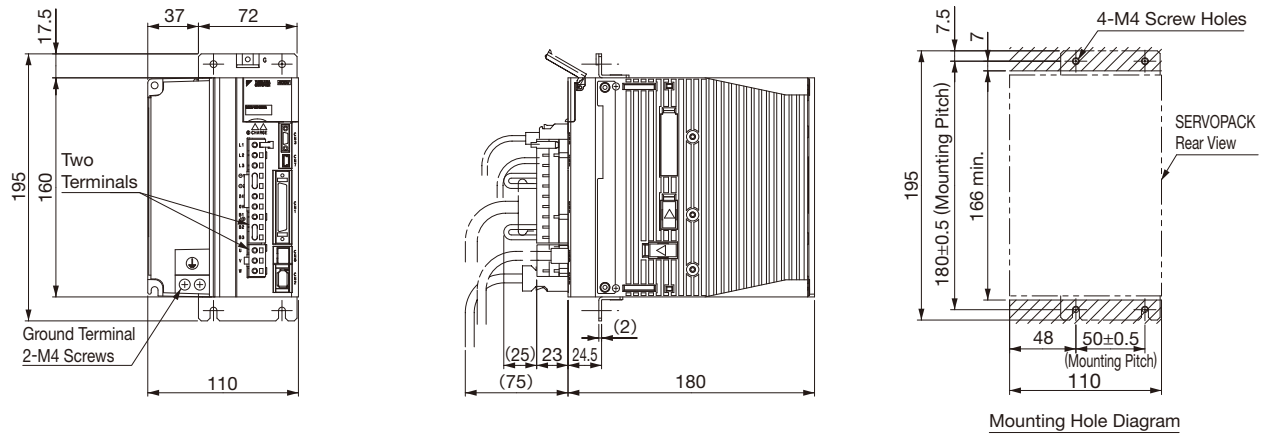
- (10) Three-phase 200 VAC, Model: SGDV-590A and -780A



Approx. Mass: 16.3 kg

External Dimensions Units: mm (Without Option Module)

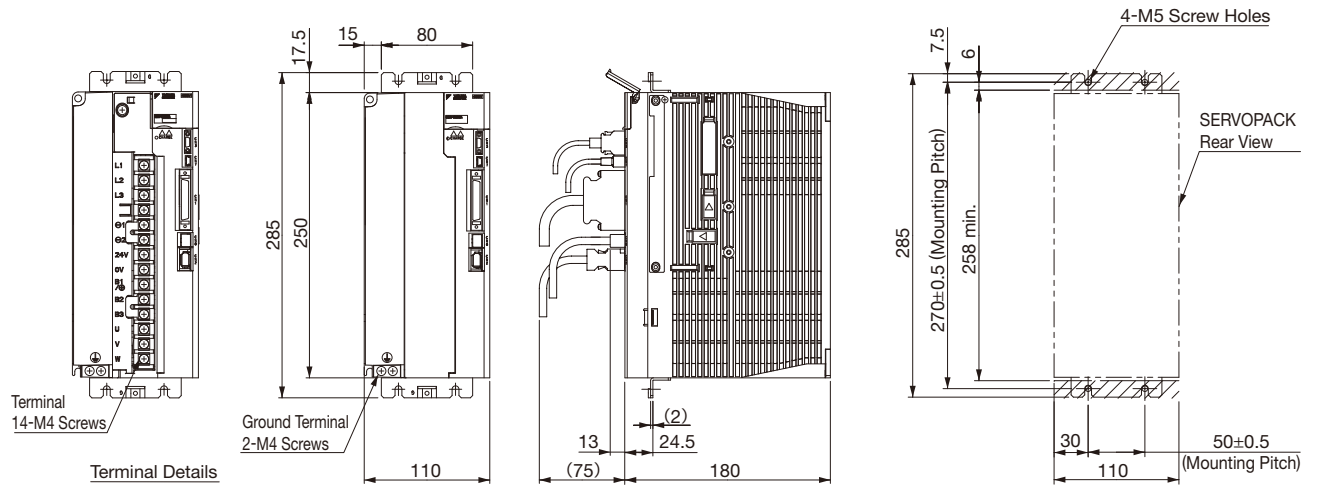
- Rack-mounted SERVOPACKs (Hardware option code: 001)
- (11) Three-phase 400 VAC, Model: SGDV-1R9D, -3R5D, and -5R4D



Mounting Hole Diagram

Approx. Mass: 2.7 kg

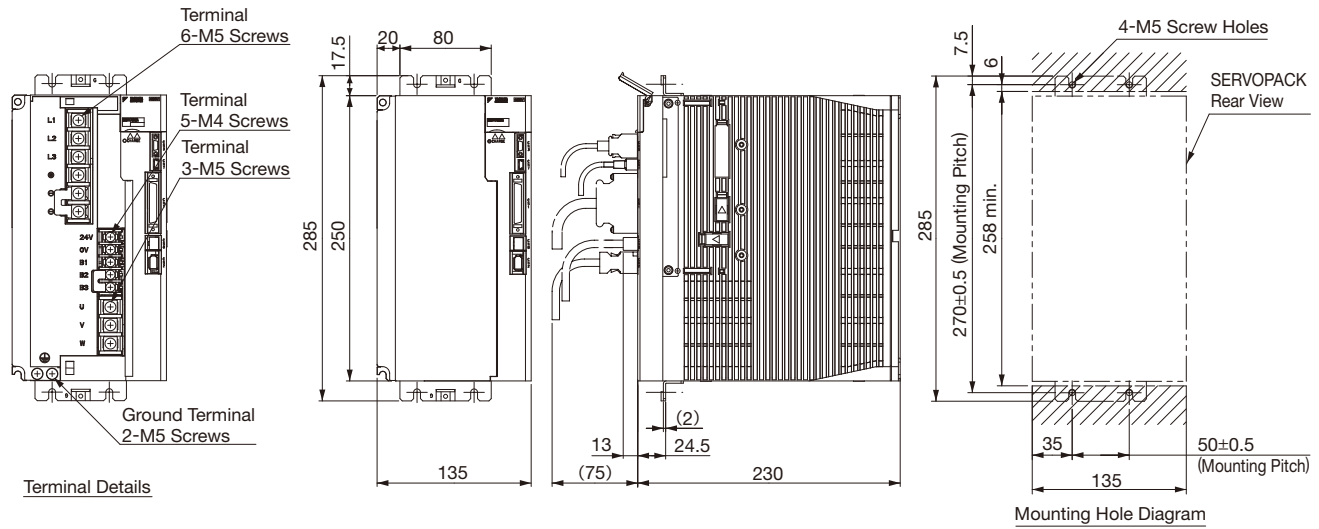
- (12) Three-phase 400 VAC, Model: SGDV-8R4D and -120D



Mounting Hole Diagram

Approx. Mass: 3.7 kg

- (13) Three-phase 400 VAC, Model: SGDV-170D



Mounting Hole Diagram

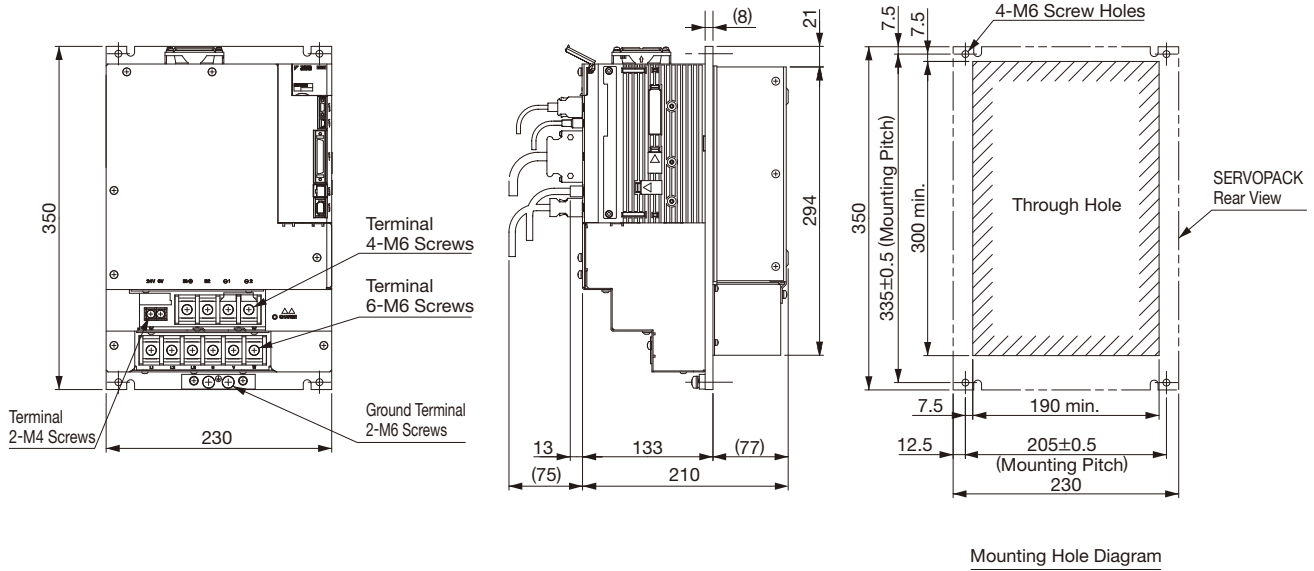
Approx. Mass: 5.7 kg

AC
 SERVOPACK External Dimensions

External Dimensions Units: mm (Without Option Module)

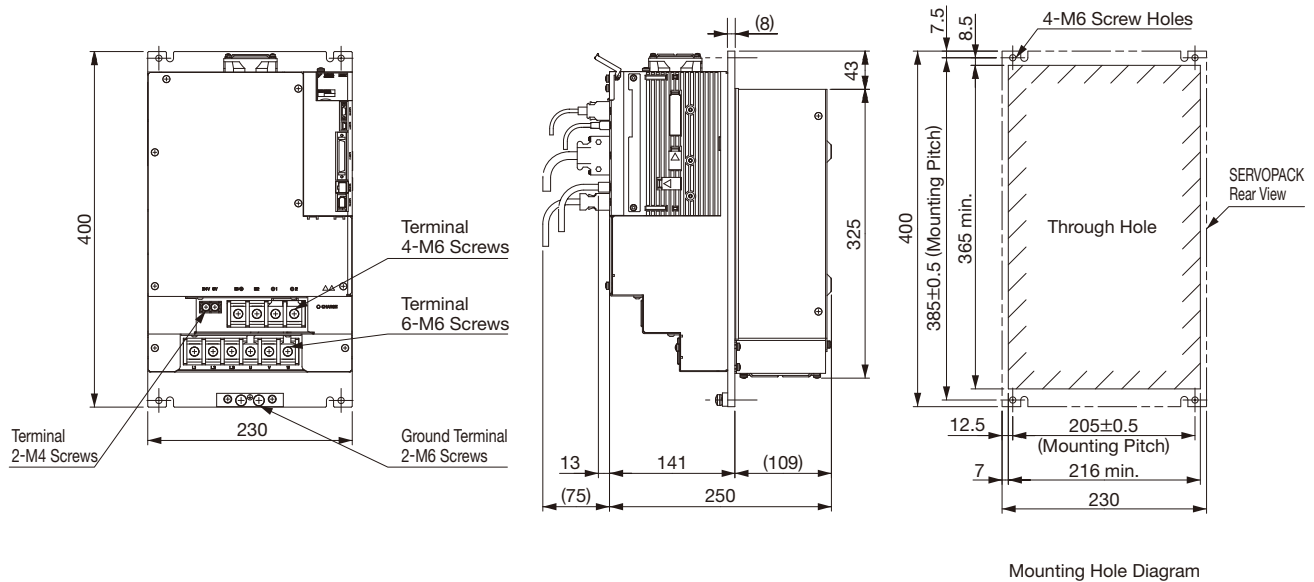
● Rack-mounted SERVOPACKs (Hardware option code: 001, duct-ventilated)

(14) Three-phase 400 VAC, Model: SGDV-210D and -260D



Approx. Mass: 8.1 kg

(15) Three-phase 400 VAC, Model: SGDV-280D and -370D

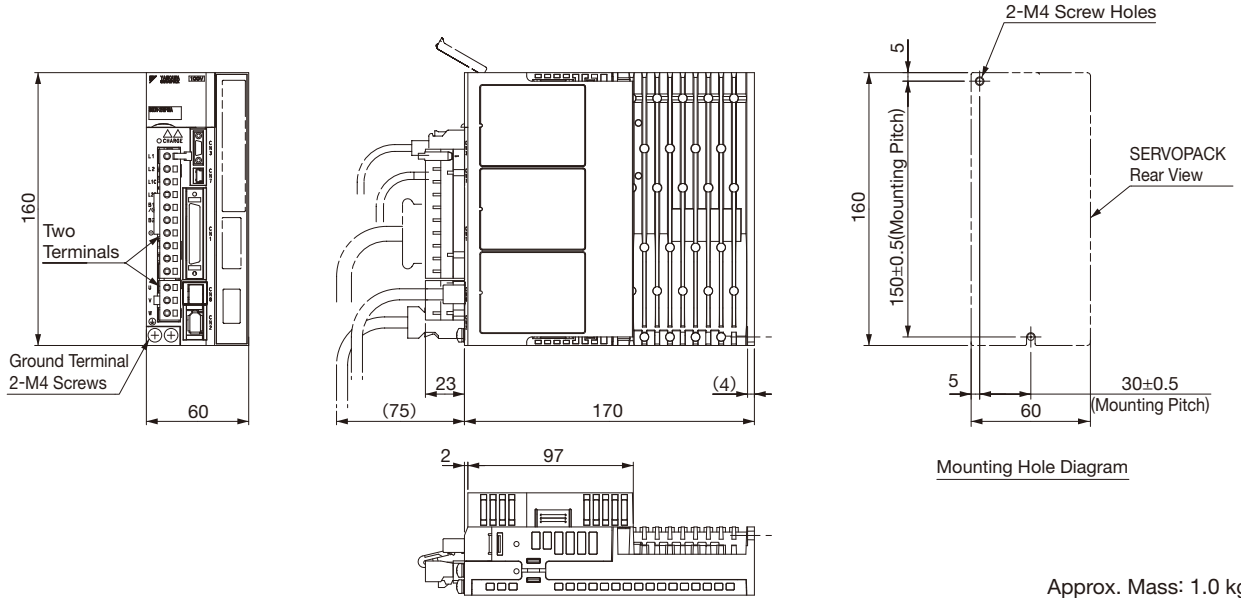


Approx. Mass: 13.4 kg

External Dimensions Units: mm (With Option Module)

● **Base-Mounted SERVOPACKs**

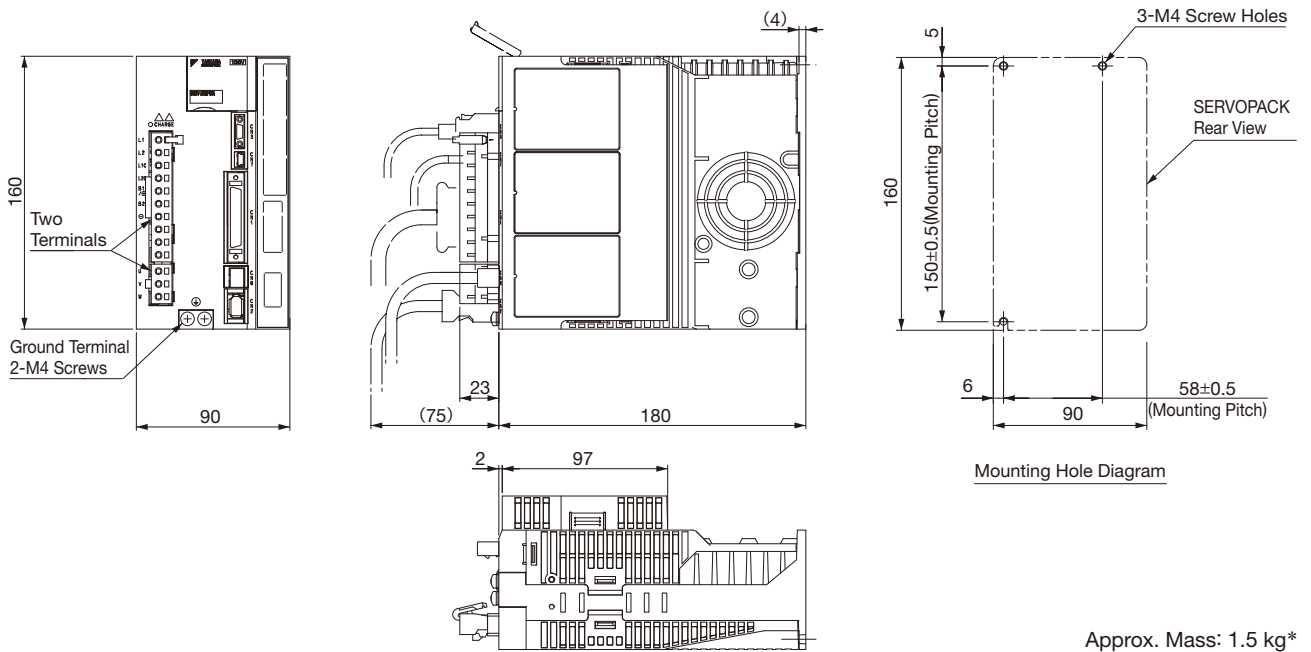
(1) Single-phase 100 VAC, Model: SGDVR70F, SGDVR90F, and SGDVR1F



Approx. Mass: 1.0 kg*

AC

(2) Single-phase 100 VAC, Model: SGDVR2R8F



Approx. Mass: 1.5 kg*

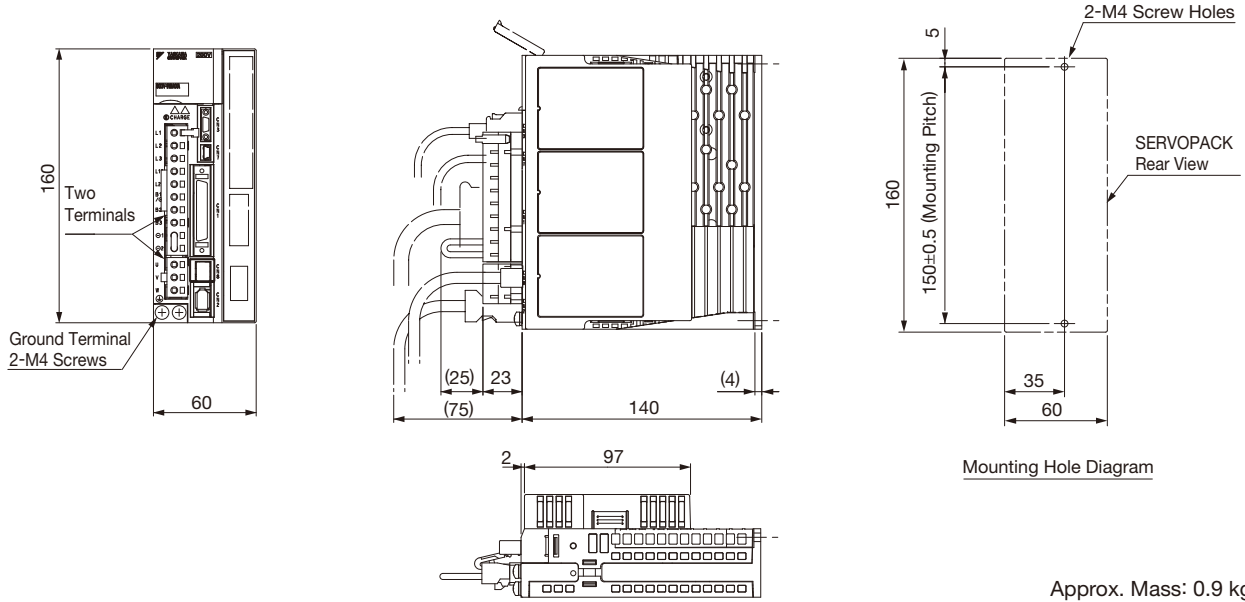
*: Approx. mass of option modules are not included in this value.
 Approx. mass of option modules are as follows.
 ·INDEXER Module: 0.2 kg
 ·DeviceNet Module: 0.3 kg
 ·Fully-closed Module: 0.1 kg

SERVOPACK External Dimensions

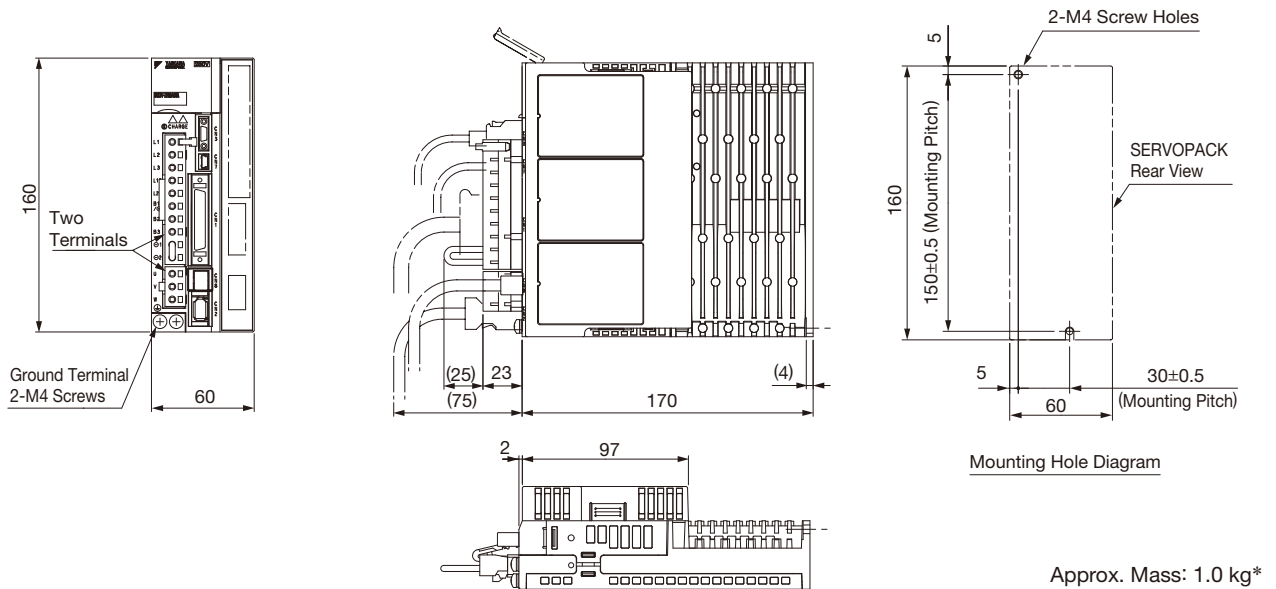
External Dimensions Units: mm (With Option Module)

● Base-Mounted SERVOPACKS

(3) Three-phase 200 VAC, Model: SGDVR70A, SGDVR90A, and SGDVR1R6A



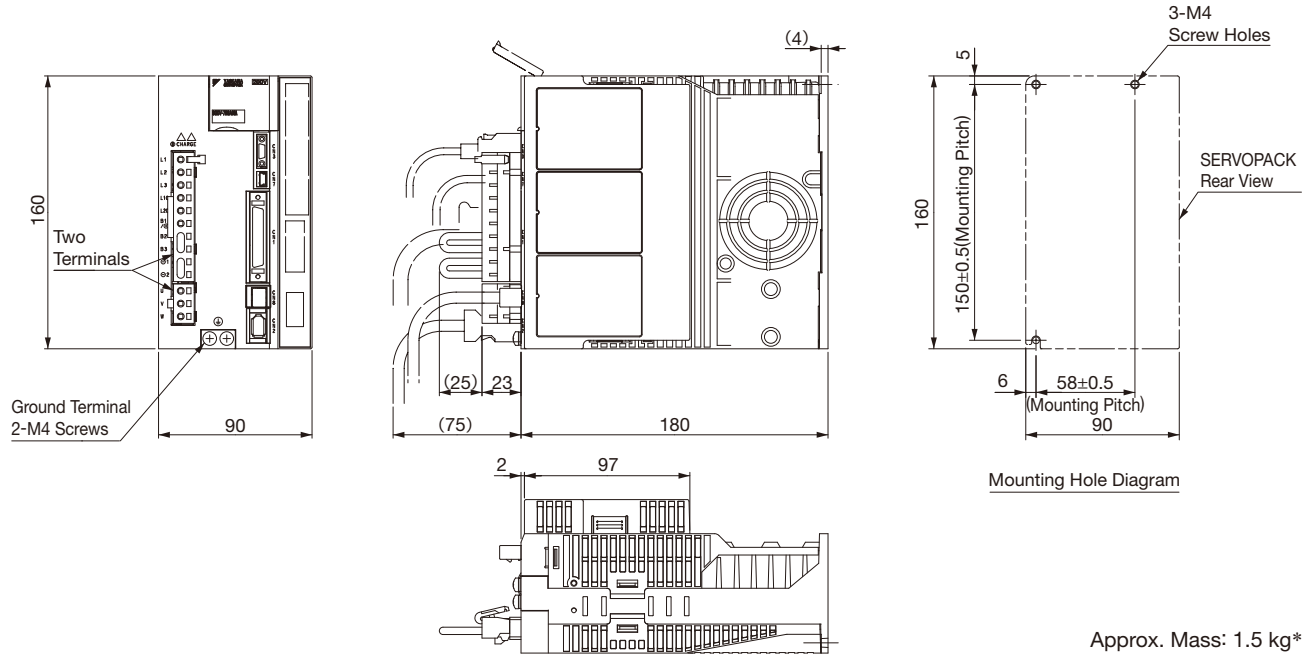
(4) Three-phase 200 VAC, Model: SGDVR2R8A



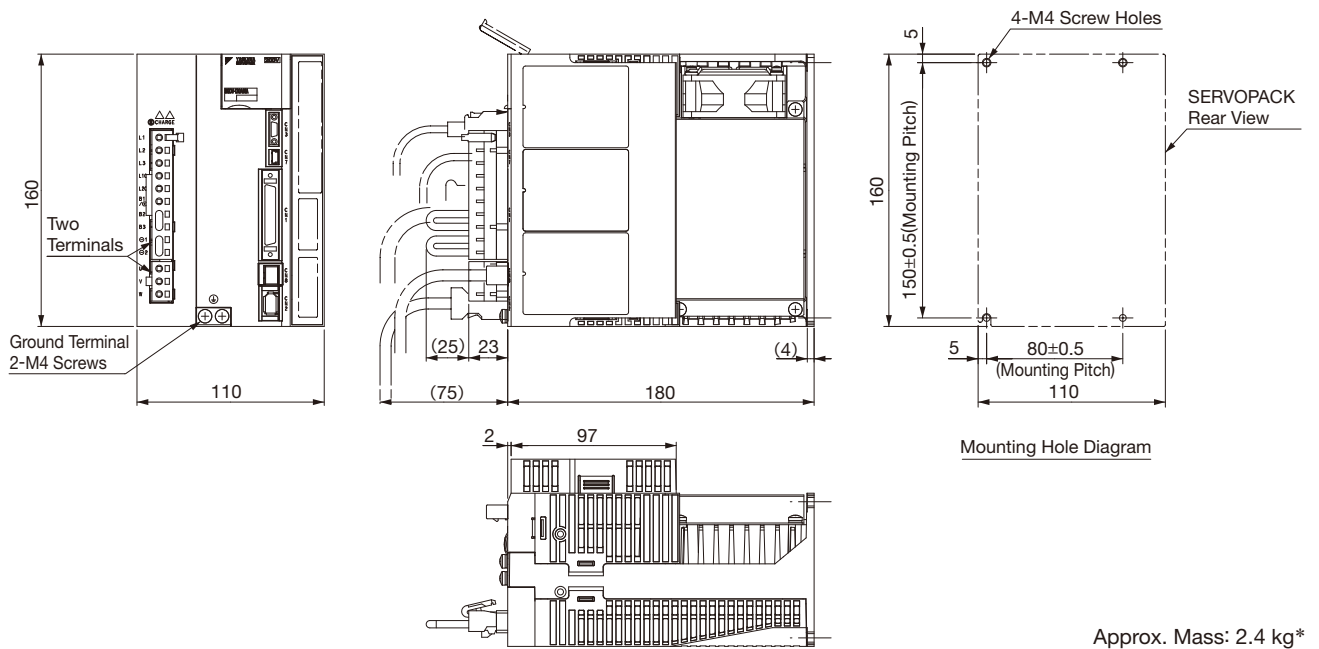
*: Approx. mass of option modules are not included in this value.
 Approx. mass of option modules are as follows.
 • INDEXER Module: 0.2 kg
 • DeviceNet Module: 0.3 kg
 • Fully-closed Module: 0.1 kg

External Dimensions Units: mm (With Option Module)

(5) Three-phase 200 VAC, Model: SGDV3R8A, SGDV5R5A, and SGDV7R6A



(6) Three-phase 200 VAC, Model: SGDV120A

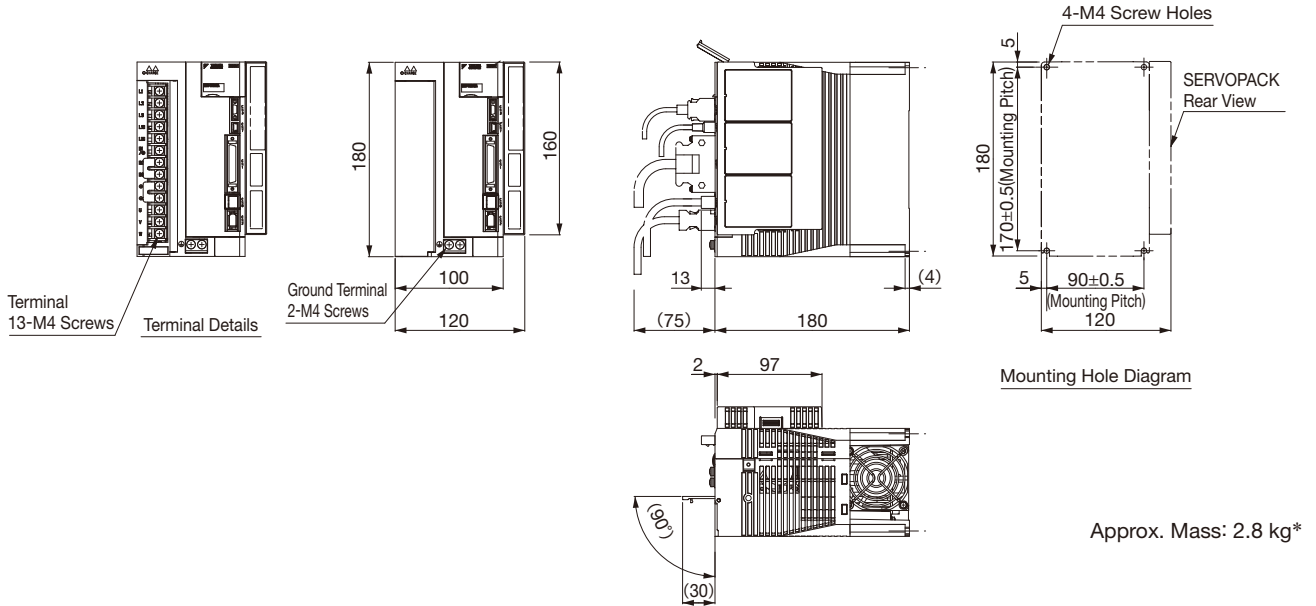


*: Approx. mass of option modules are not included in this value.
 Approx. mass of option modules are as follows.
 ·INDEXER Module: 0.2 kg
 ·DeviceNet Module: 0.3 kg
 ·Fully-closed Module: 0.1 kg

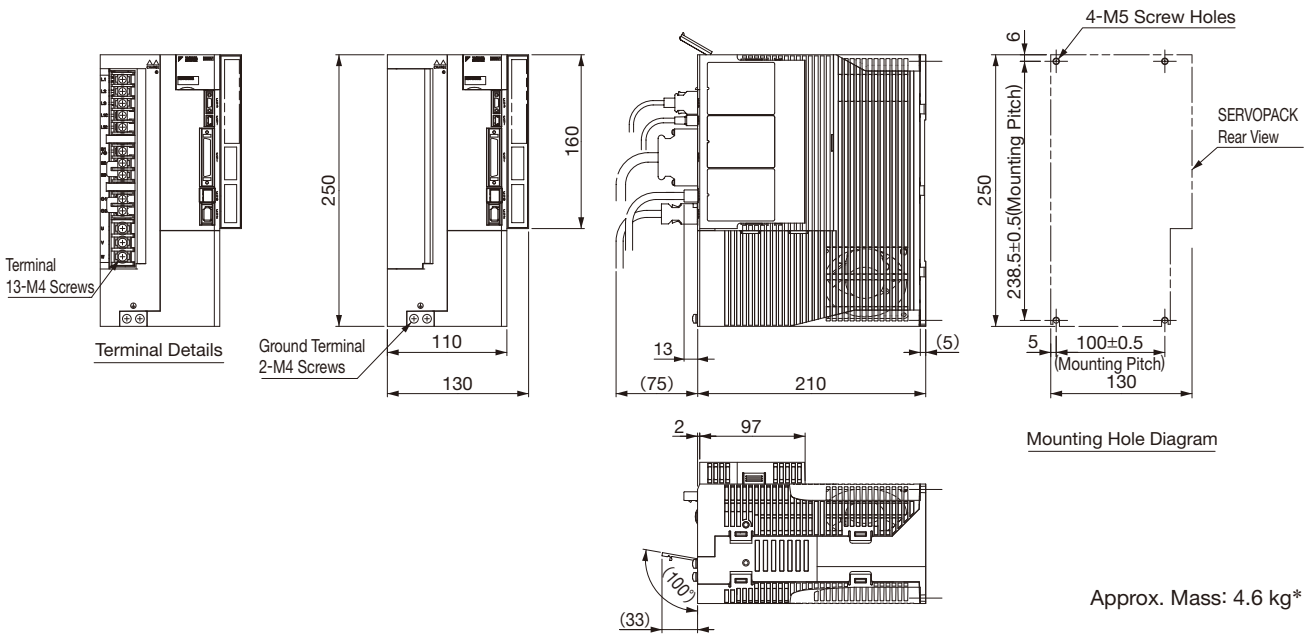
External Dimensions Units: mm (With Option Module)

● Base-Mounted SERVOPACKS

(7) Single-phase 200 VAC, Model: SGD V120A□□1A008000□□□ (1.5kW, single-phase input)
 Three-phase 200 VAC, Model: SGD V180A and SGD V200A



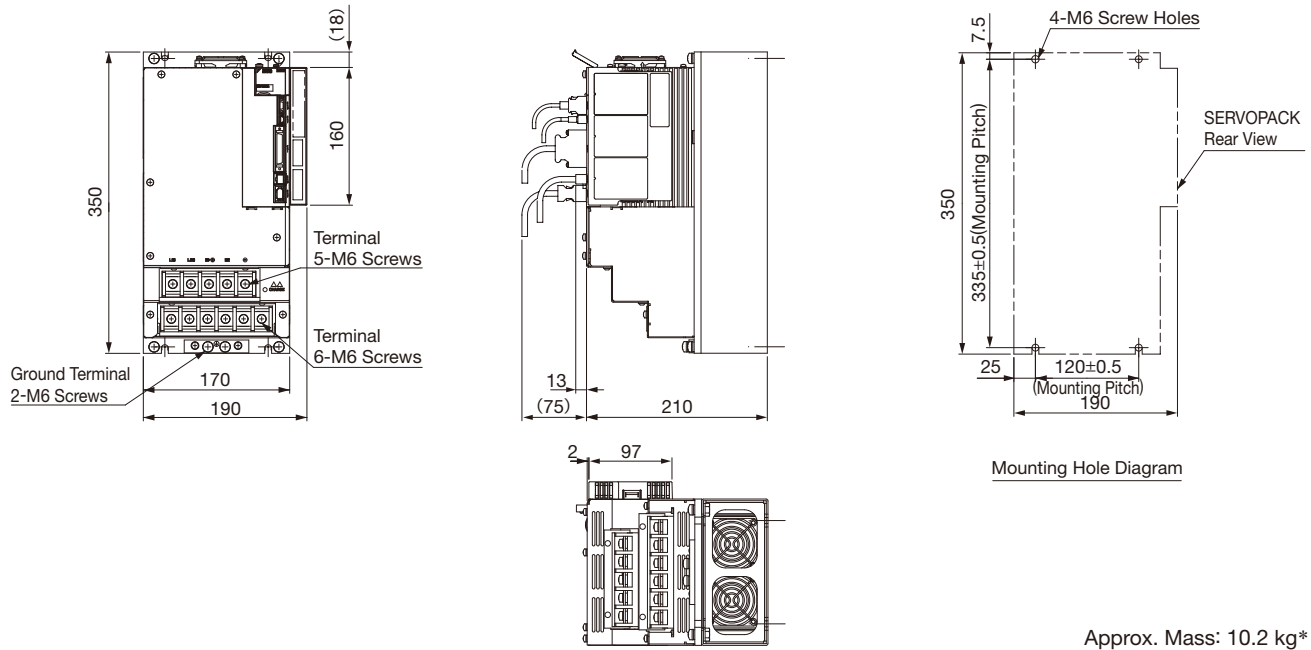
(8) Three-phase 200 VAC, Model: SGD V330A



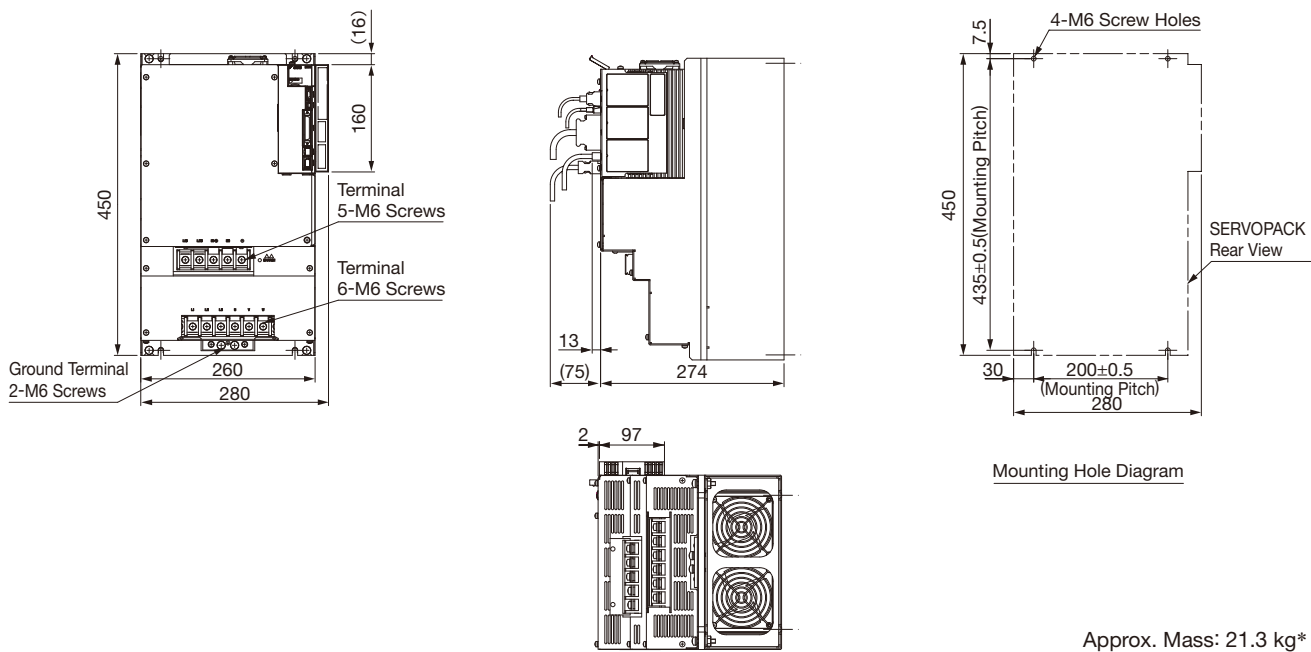
*: Approx. mass of option modules are not included in this value.
 Approx. mass of option modules are as follows.
 • INDEXER Module: 0.2 kg
 • DeviceNet Module: 0.3 kg
 • Fully-closed Module: 0.1 kg

External Dimensions Units: mm (With Option Module)

(9) Three-phase 200 VAC, Model: SGDV470A and SGDV550A



(10) Three-phase 200 VAC, Model: SGDV590A and SGDV780A

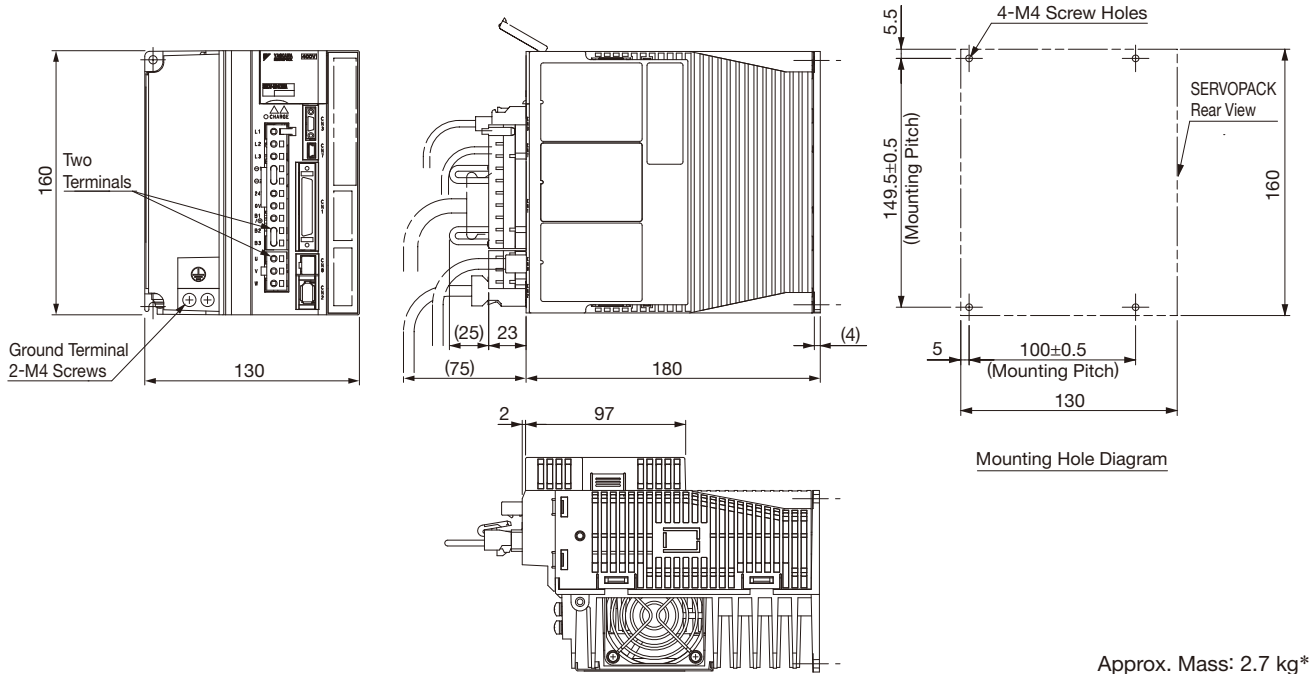


*: Approx. mass of option modules are not included in this value.
 Approx. mass of option modules are as follows.
 · INDEXER Module: 0.2 kg
 · DeviceNet Module: 0.3 kg
 · Fully-closed Module: 0.1 kg

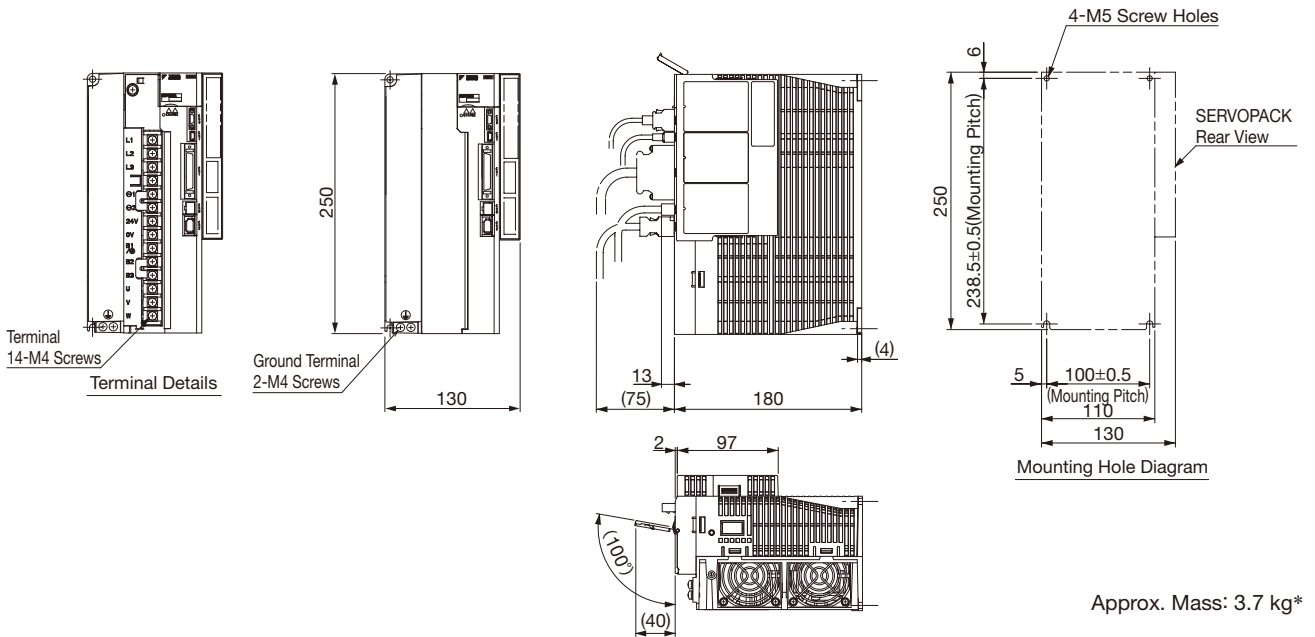
External Dimensions Units: mm (With Option Module)

● Base-Mounted SERVOPACKS

(11) Three-phase 400 VAC,
Model: SGD1R9D, SGD3R5D, and SGD5R4D



(12) Three-phase 400 VAC, Model: SGD8R4D and SGD120D

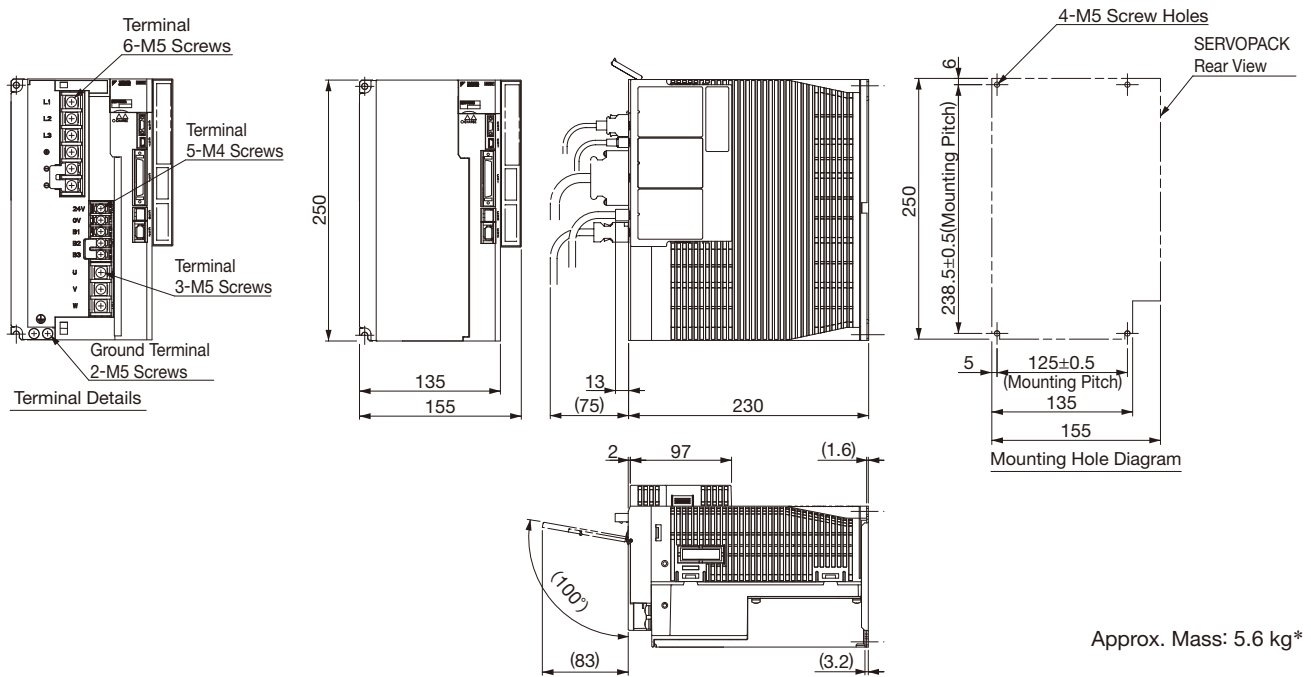


*: Approx. mass of option modules are not included in this value.
Approx. mass of option modules are as follows.

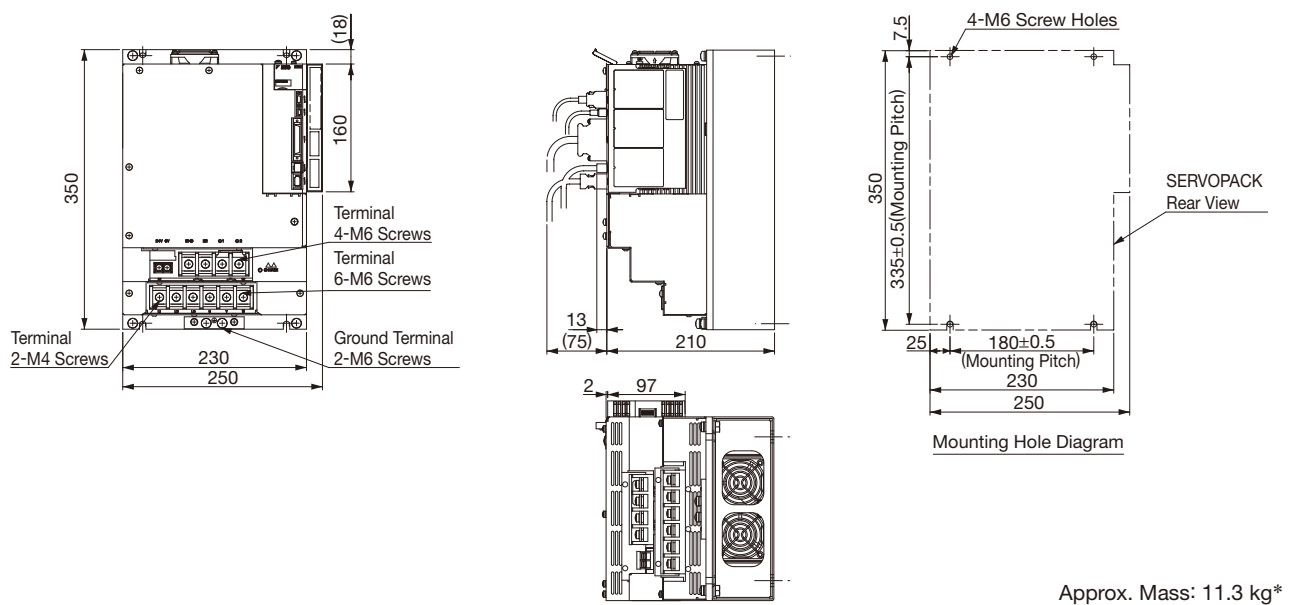
- INDEXER Module: 0.2 kg
- DeviceNet Module: 0.3 kg
- Fully-closed Module: 0.1 kg

External Dimensions Units: mm (With Option Module)

(13) Three-phase 400 VAC, Model: SGDV170D



(14) Three-phase 400 VAC, Model: SGDV210D and SGDV260D

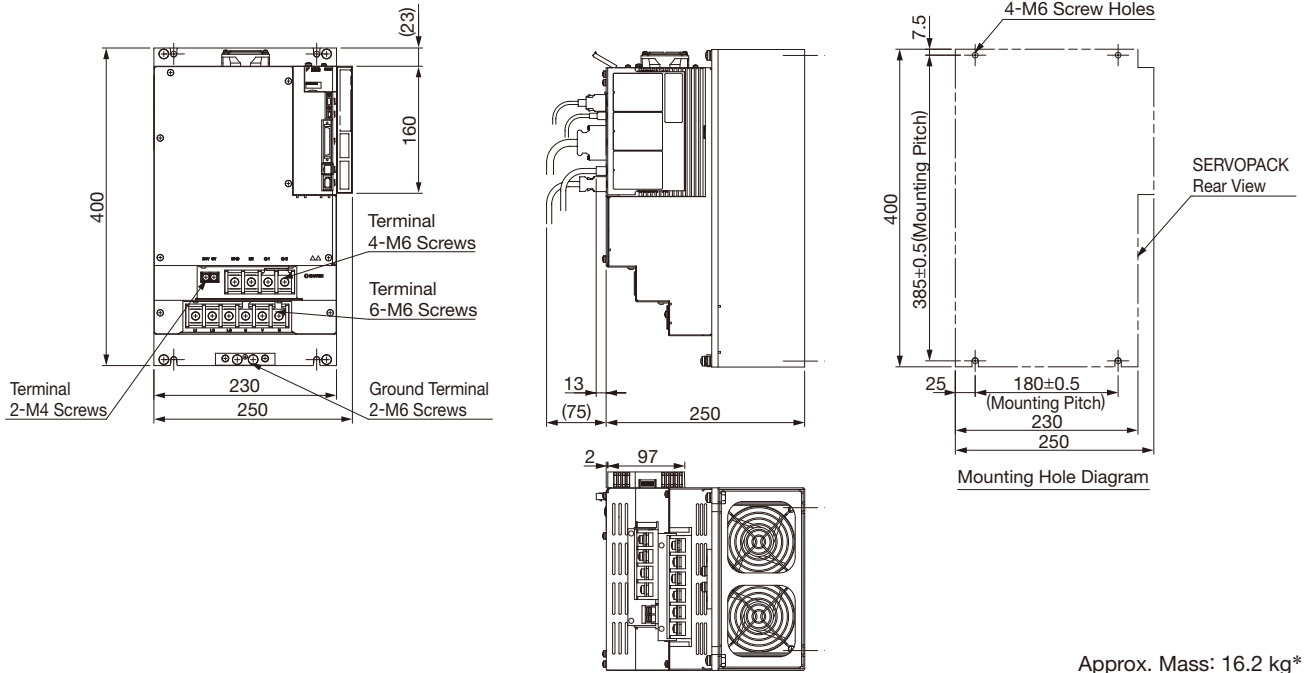


*: Approx. mass of option modules are not included in this value.
 Approx. mass of option modules are as follows.
 ·INDEXER Module: 0.2 kg
 ·DeviceNet Module: 0.3 kg
 ·Fully-closed Module: 0.1 kg

External Dimensions Units: mm (With Option Module)

● Base-Mounted SERVOPACKs

(15) Three-phase 400 VAC, Model: SGDV280D and SGDV370D

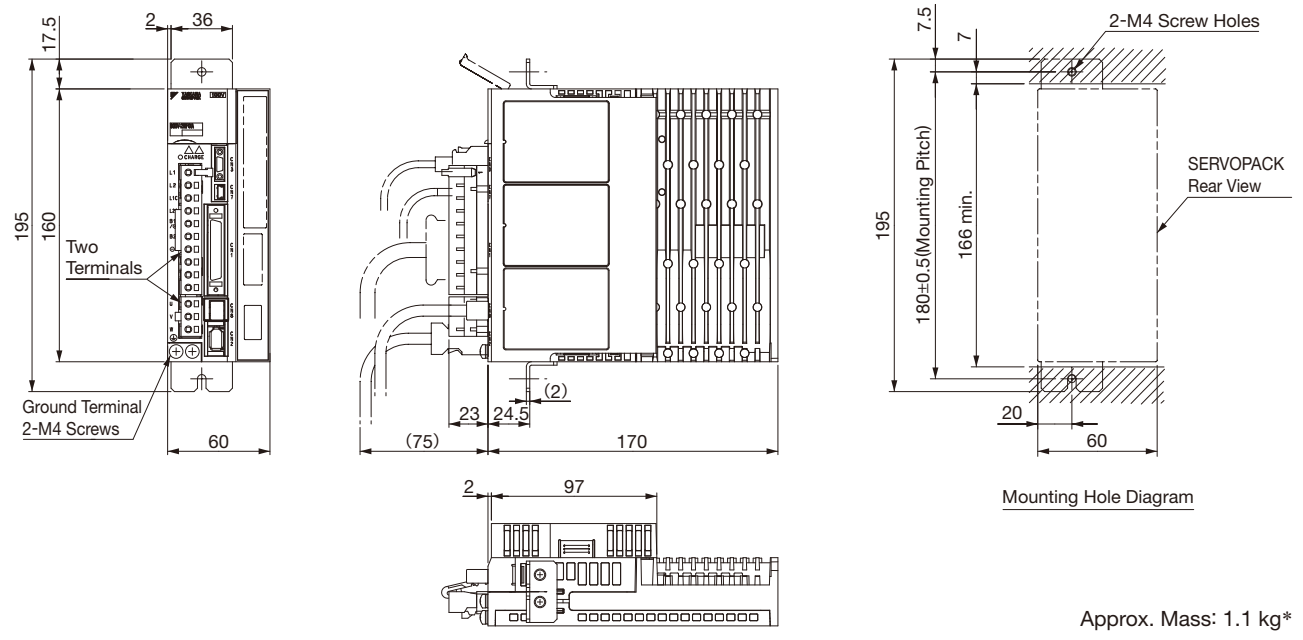


Approx. Mass: 16.2 kg*

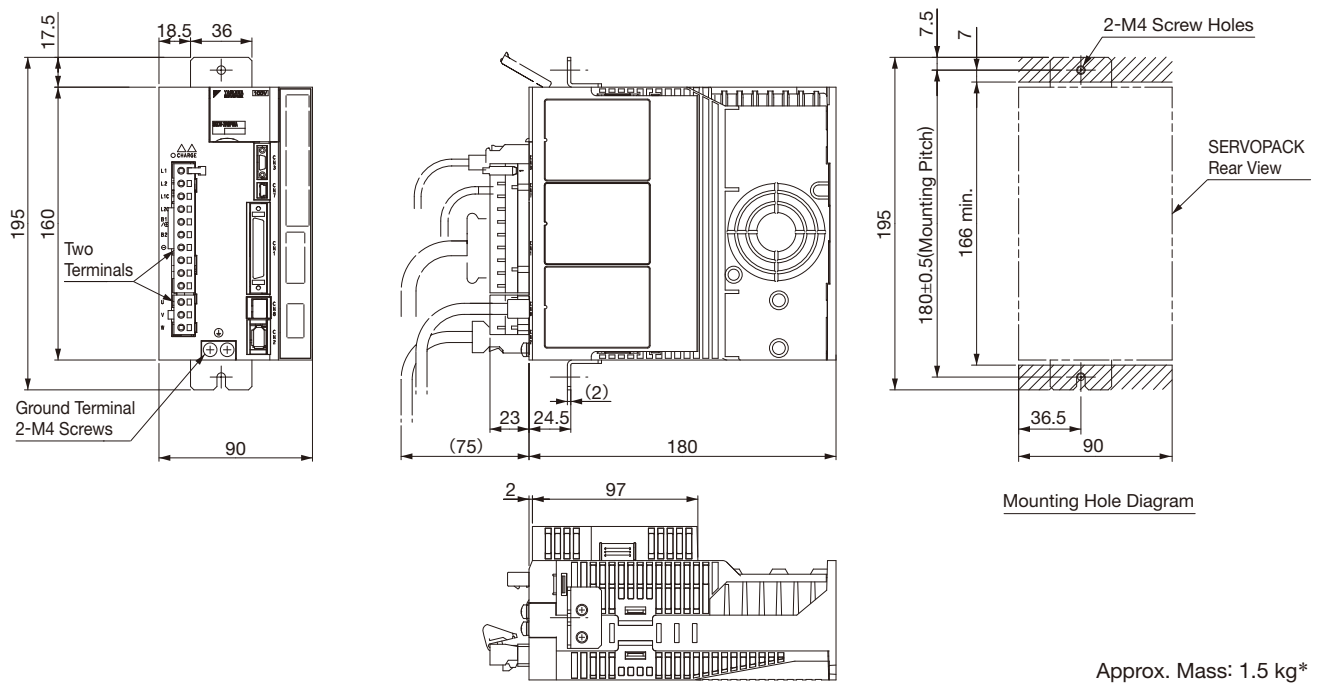
- *: Approx. mass of option modules are not included in this value.
 Approx. mass of option modules are as follows.
- INDEXER Module: 0.2 kg
 - DeviceNet Module: 0.3 kg
 - Fully-closed Module: 0.1 kg

External Dimensions Units: mm (With Option Module)

- Rack-mounted SERVOPACKs (Hardware option code: 001)
 - (1) Single-phase 100 VAC, Model: SGDVR70F, SGDVR90F, and SGDVR1F



- (2) Single-phase 100 VAC, Model: SGDVR2R8F

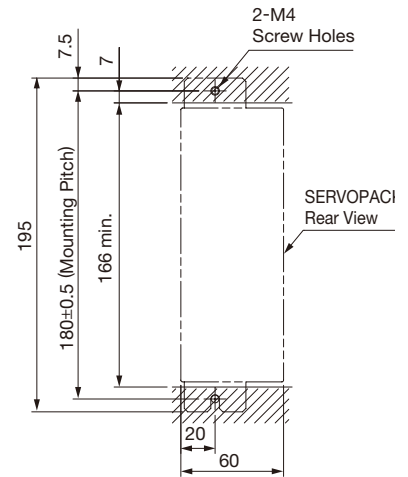
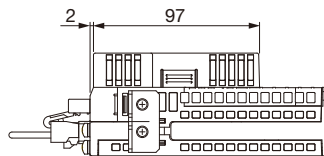
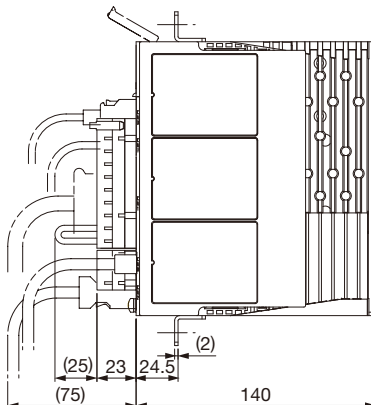
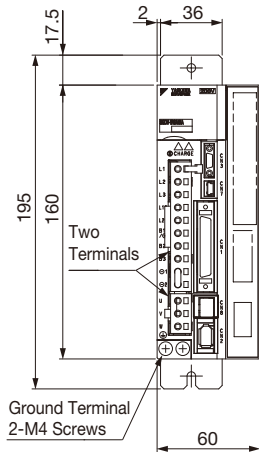


*: Approx. mass of option modules are not included in this value.
 Approx. mass of option modules are as follows.
 ·INDEXER Module: 0.2 kg
 ·DeviceNet Module: 0.3 kg
 ·Fully-closed Module: 0.1 kg

AC
 SERVOPACK External Dimensions

External Dimensions Units: mm (With Option Module)

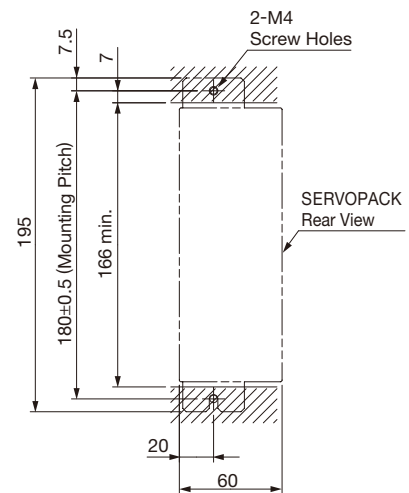
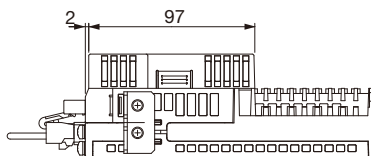
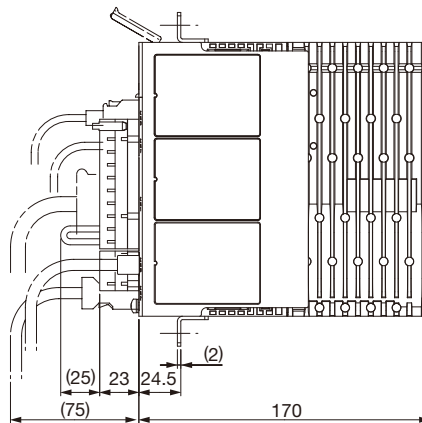
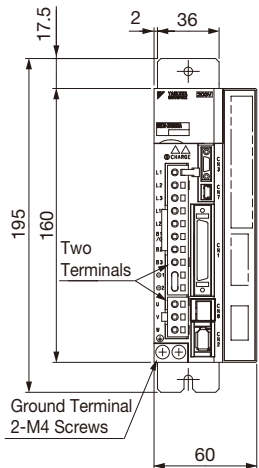
- Rack-mounted SERVOPACKs (Hardware option code: 001)
 - (3) Three-phase 200 VAC, Model: SGDVR70A, SGDVR90A, and SGDVR1R6A



Mounting Hole Diagram

Approx. Mass: 0.9 kg*

- (4) Three-phase 200 VAC, Model: SGDVR2R8A



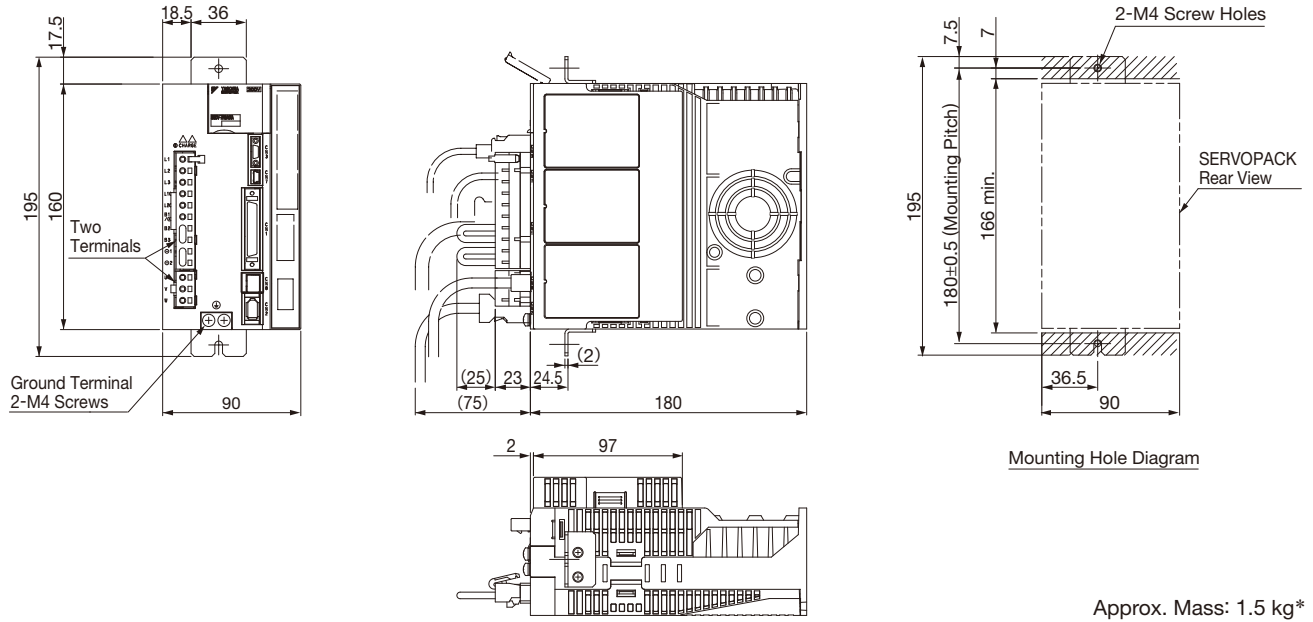
Mounting Hole Diagram

Approx. Mass: 1.0 kg*

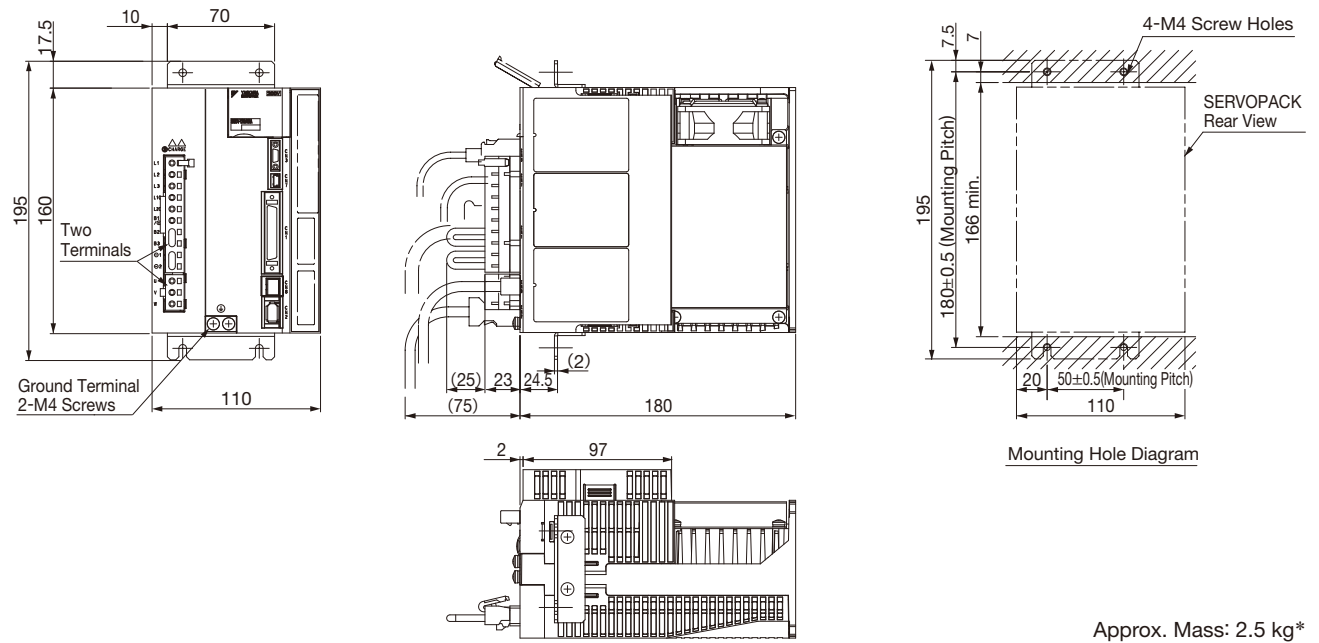
*: Approx. mass of option modules are not included in this value.
 Approx. mass of option modules are as follows.
 • INDEXER Module: 0.2 kg
 • DeviceNet Module: 0.3 kg
 • Fully-closed Module: 0.1 kg

External Dimensions Units: mm (With Option Module)

(5) Three-phase 200 VAC, Model: SGDV3R8A, SGDV5R5A, and SGDV7R6A



(6) Three-phase 200 VAC, Model: SGDV120A

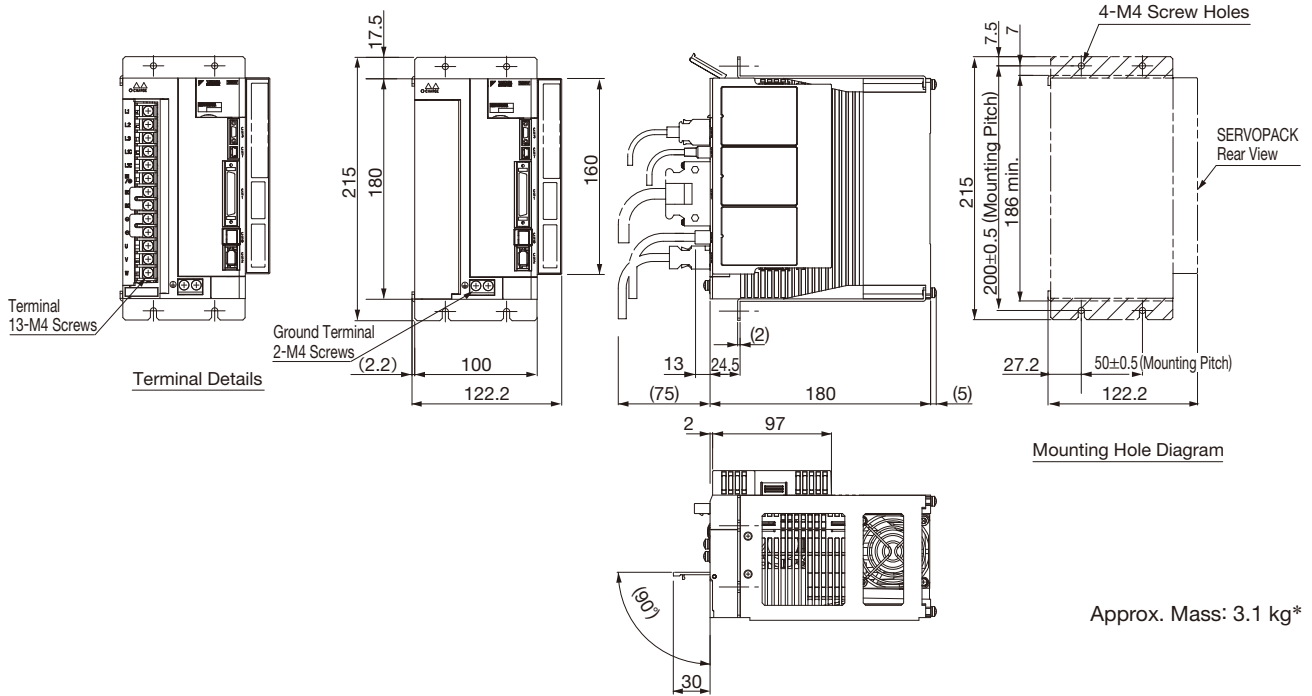


*: Approx. mass of option modules are not included in this value.
 Approx. mass of option modules are as follows.
 · INDEXER Module: 0.2 kg
 · DeviceNet Module: 0.3 kg
 · Fully-closed Module: 0.1 kg

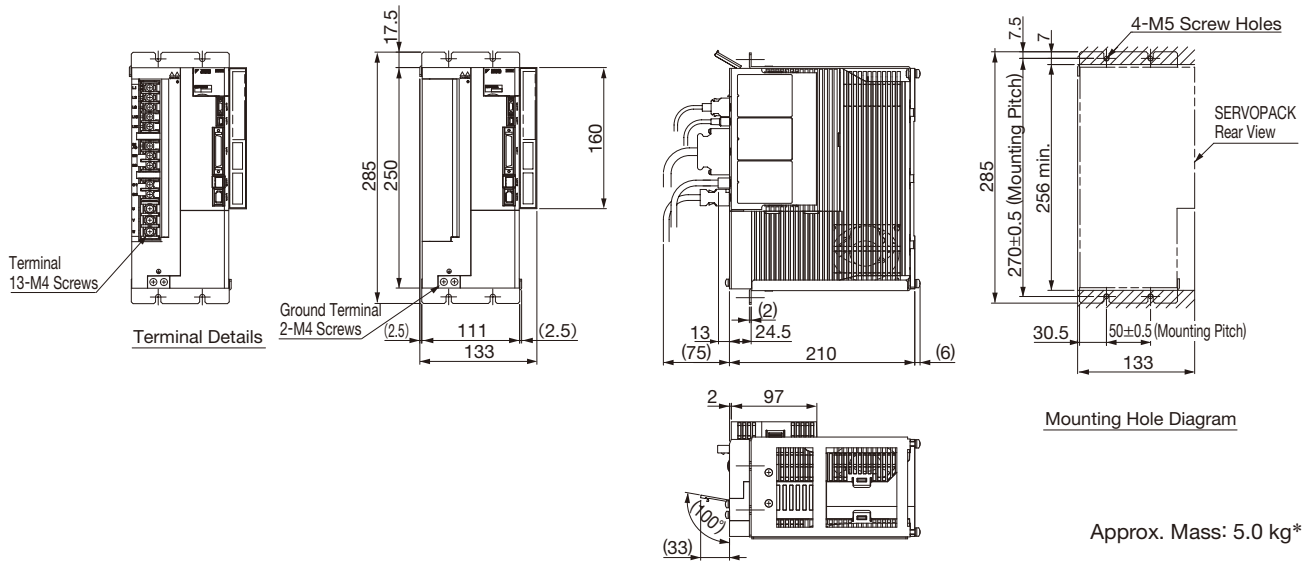
External Dimensions Units: mm (With Option Module)

● Rack-mounted SERVOPACKs (Hardware option code: 001)

(7) Three-phase 200 VAC, Model: SGD V180A and SGD V200A



(8) Three-phase 200 VAC, Model: SGD V330A



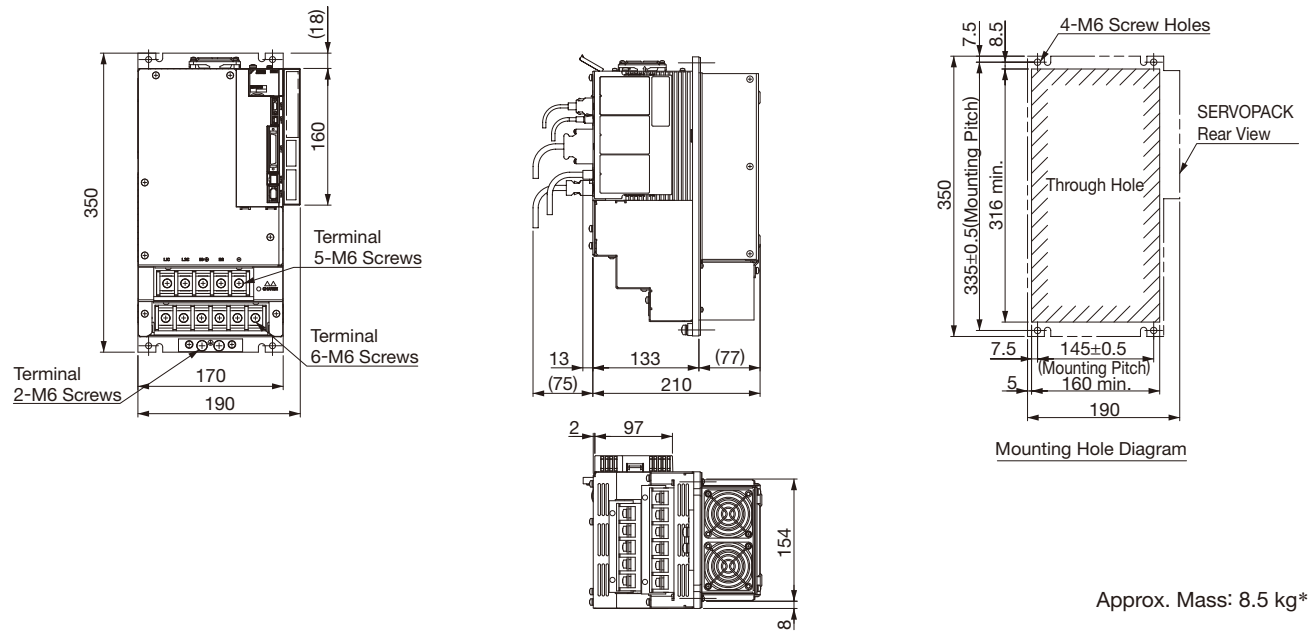
*: Approx. mass of option modules are not included in this value.

Approx. mass of option modules are as follows.

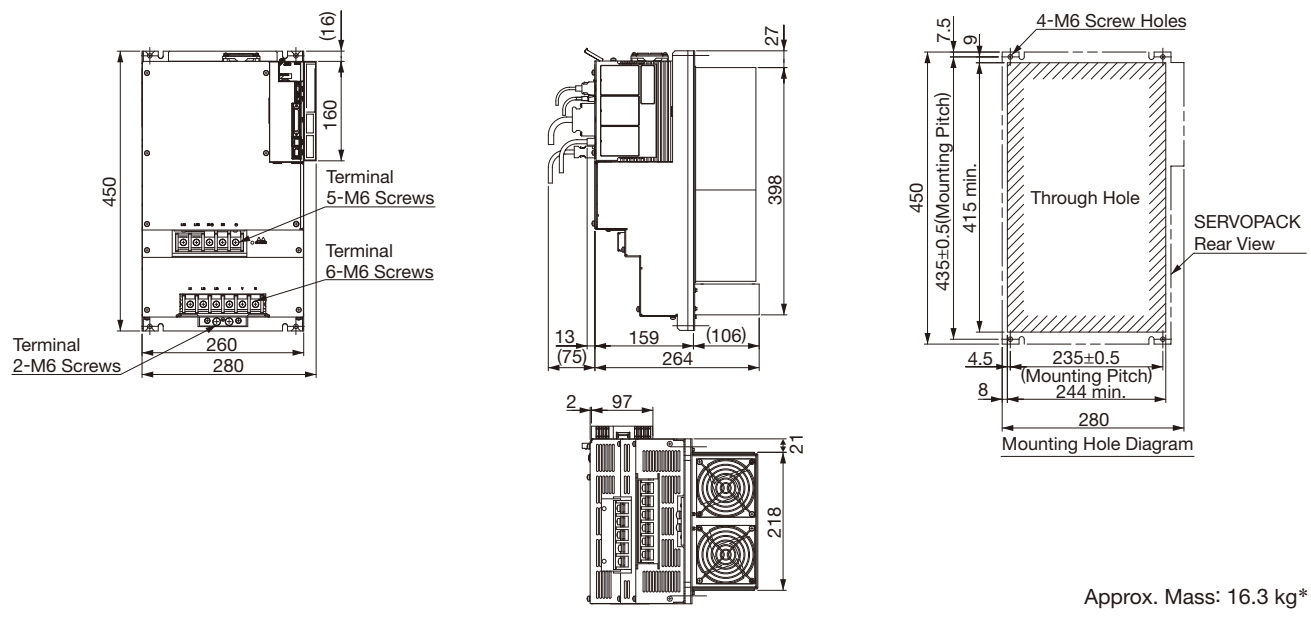
- INDEXER Module: 0.2 kg
- DeviceNet Module: 0.3 kg
- Fully-closed Module: 0.1 kg

External Dimensions Units: mm (With Option Module)

- Rack-mounted SERVOPACKs (Hardware option code: 001, duct-ventilated)
 (9) Three-phase 200 VAC, Model: SGDV470A and SGDV550A



- (10) Three-phase 200 VAC, Model: SGDV590A and SGDV780A



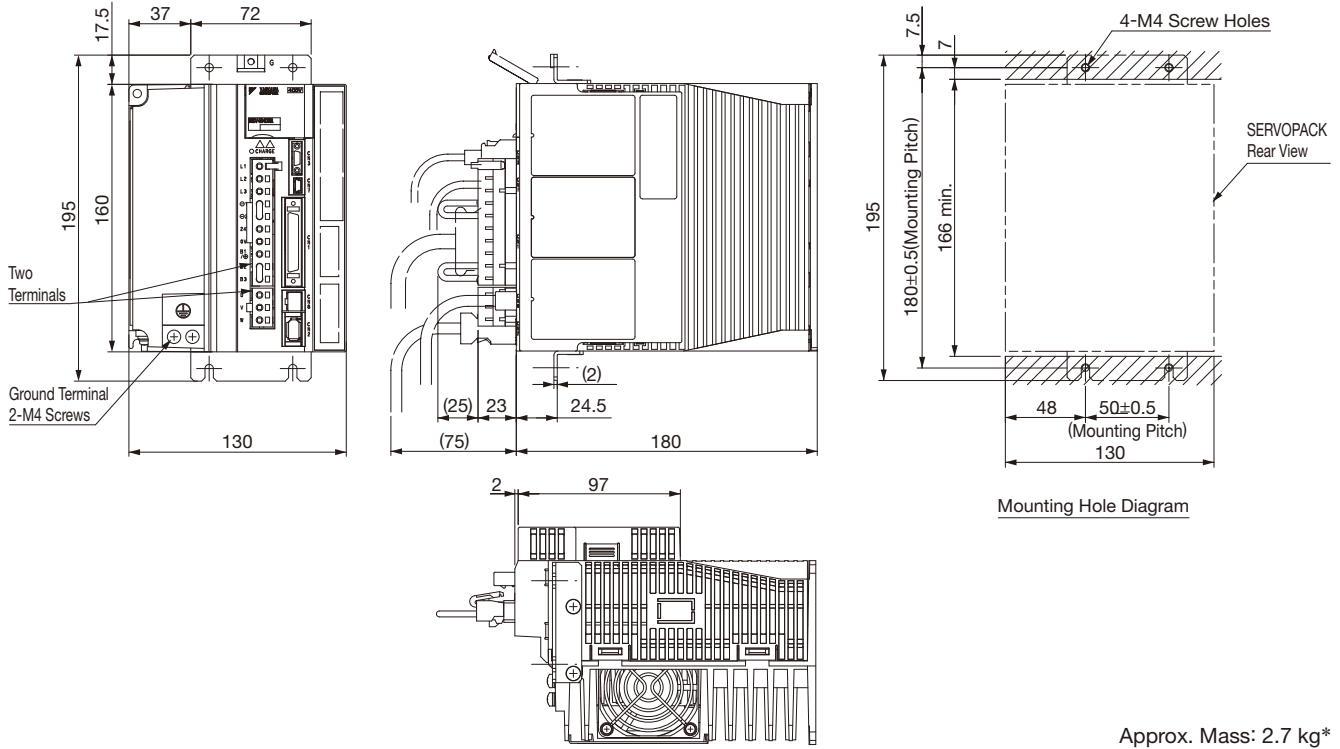
*: Approx. mass of option modules are not included in this value.
 Approx. mass of option modules are as follows.
 ·INDEXER Module: 0.2 kg
 ·DeviceNet Module: 0.3 kg
 ·Fully-closed Module: 0.1 kg

AC
 SERVOPACK External Dimensions

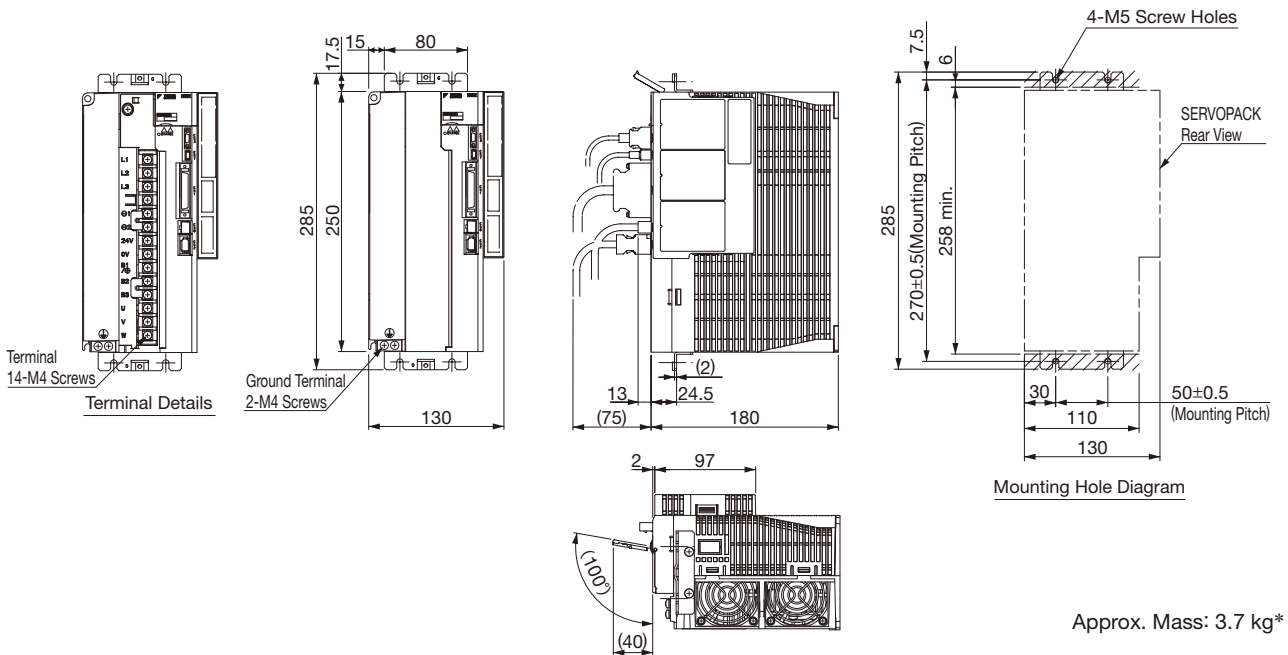
External Dimensions Units: mm (With Option Module)

● Rack-mounted SERVOPACKs (Hardware option code: 001)

(11) Three-phase 400 VAC, Model: SGD V1R9D, SGD V3R5D, and SGD V5R4D



(12) Three-phase 400 VAC, Model: SGD V8R4D and SGD V120D

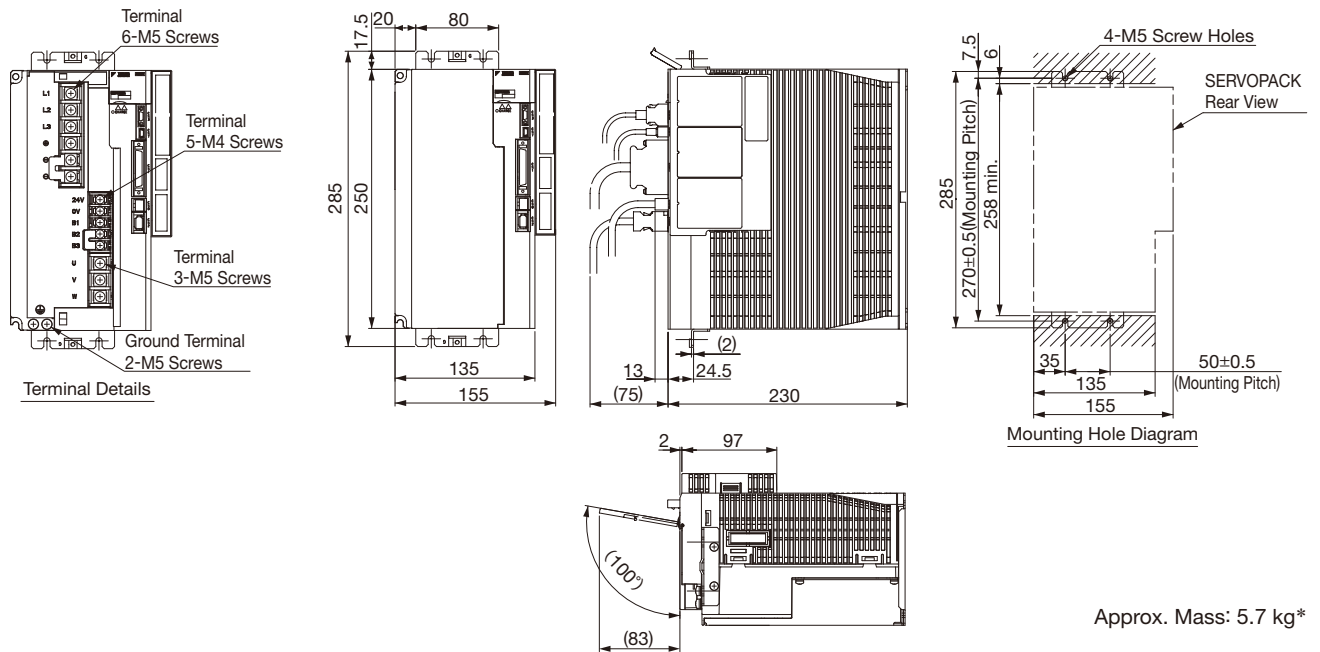


*: Approx. mass of option modules are not included in this value.
 Approx. mass of option modules are as follows.

- INDEXER Module: 0.2 kg
- DeviceNet Module: 0.3 kg
- Fully-closed Module: 0.1 kg

External Dimensions Units: mm (With Option Module)

(13) Three-phase 400 VAC, Model: SGDV170D



Approx. Mass: 5.7 kg*

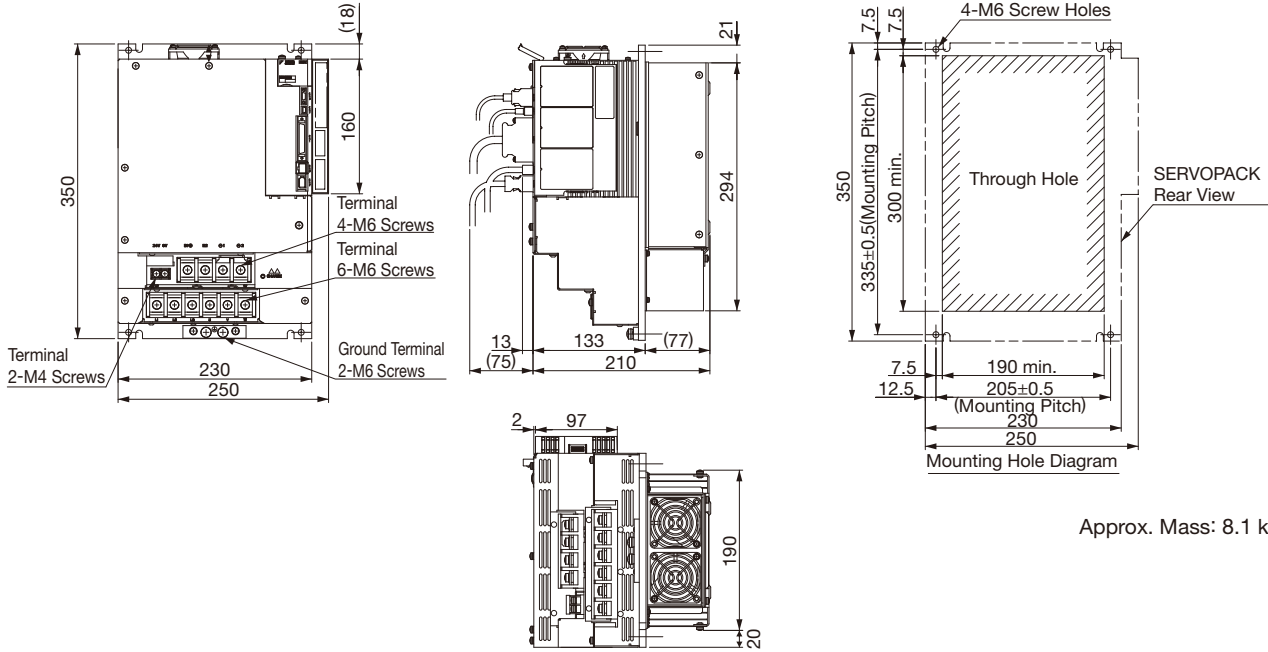
*: Approx. mass of option modules are not included in this value.
 Approx. mass of option modules are as follows.
 · INDEXER Module: 0.2 kg
 · DeviceNet Module: 0.3 kg
 · Fully-closed Module: 0.1 kg

AC

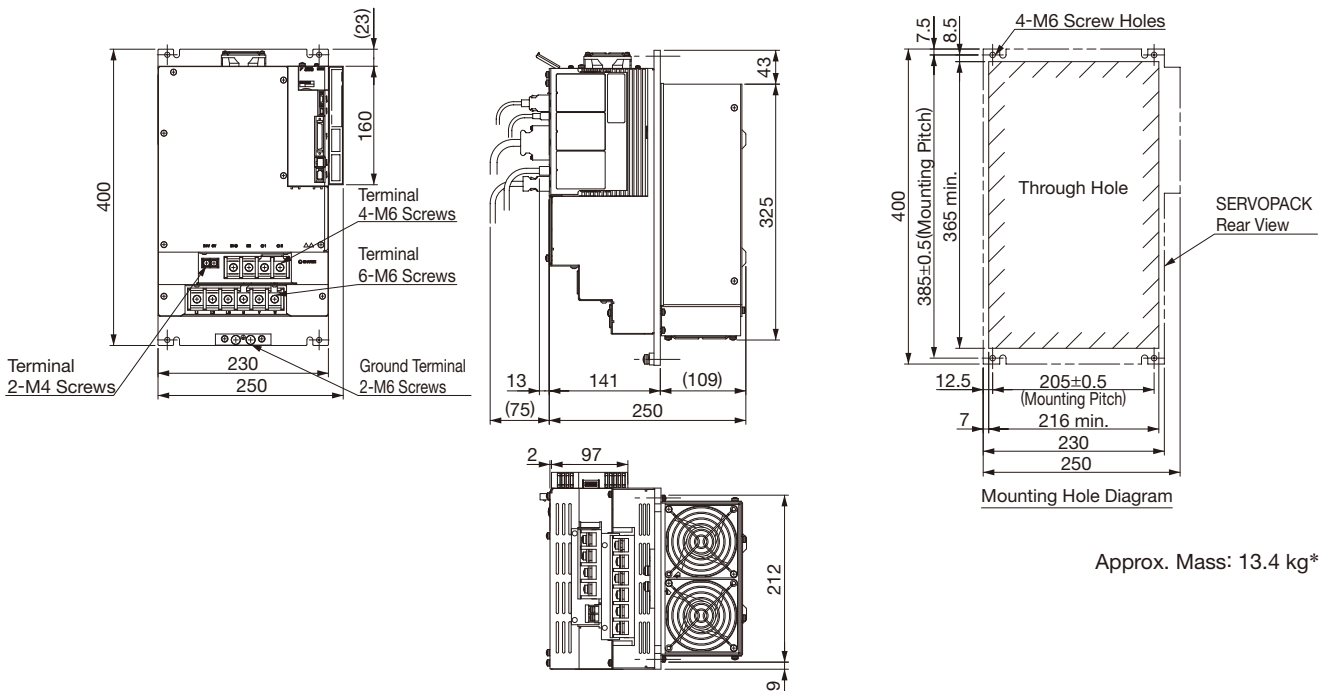
SERVOPACK External Dimensions

External Dimensions Units: mm (With Option Module)

- Rack-mounted SERVOPACKs (Hardware option code: 001, duct-ventilated)
(14) Three-phase 400 VAC, Model: SGDV210D and SGDV260D



- (15) Three-phase 400 VAC, Model: SGDV280D and SGDV370D



*: Approx. mass of option modules are not included in this value.
Approx. mass of option modules are as follows.

- INDEXER Module: 0.2 kg
- DeviceNet Module: 0.3 kg
- Fully-closed Module: 0.1 kg

AC

SERVOPACK External Dimensions



Wiring Main Circuit and Peripheral Devices

Wiring Main Circuit

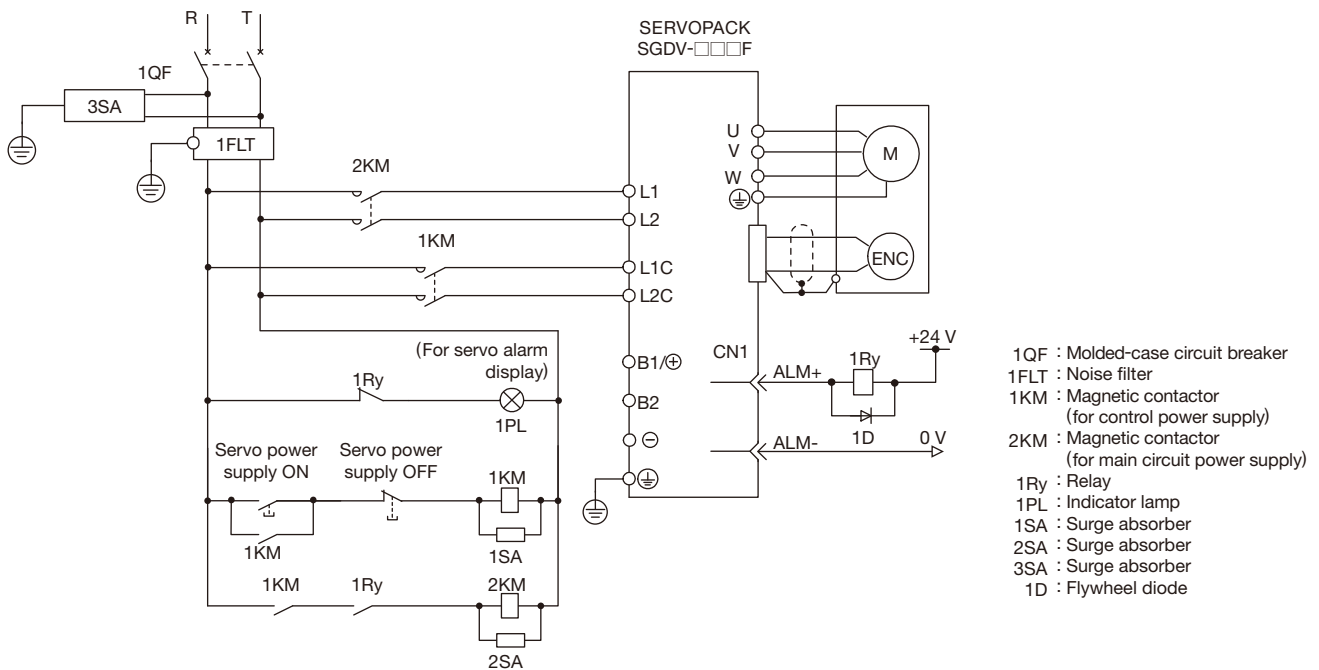
● Typical Main Circuit Wiring Examples

This section shows an example of the typical wiring for the main circuit.

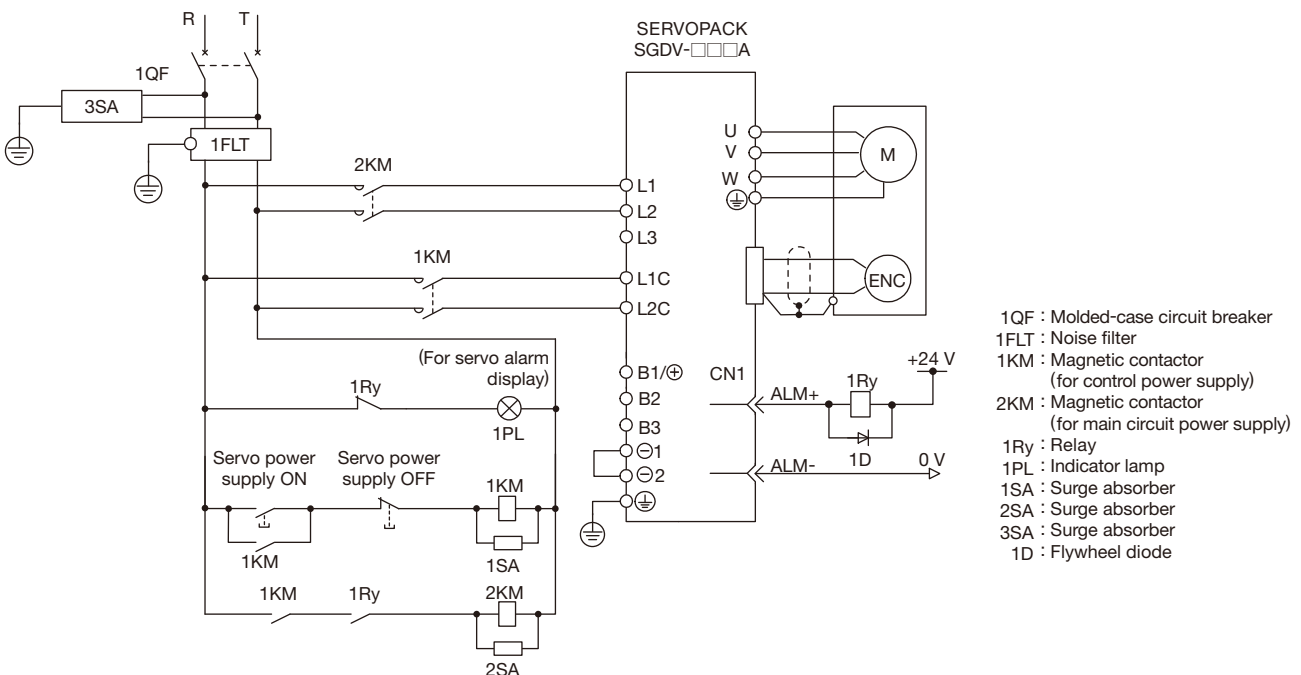
⚠ WARNING

After turning OFF the power, do not touch the power terminals while charge indicator is still ON. High residual voltage may still remain in the SERVOPACK. When the voltage is discharged, the charge indicator will turn OFF. Make sure the charge indicator is OFF before starting wiring or inspection.

● Single-phase 100 V

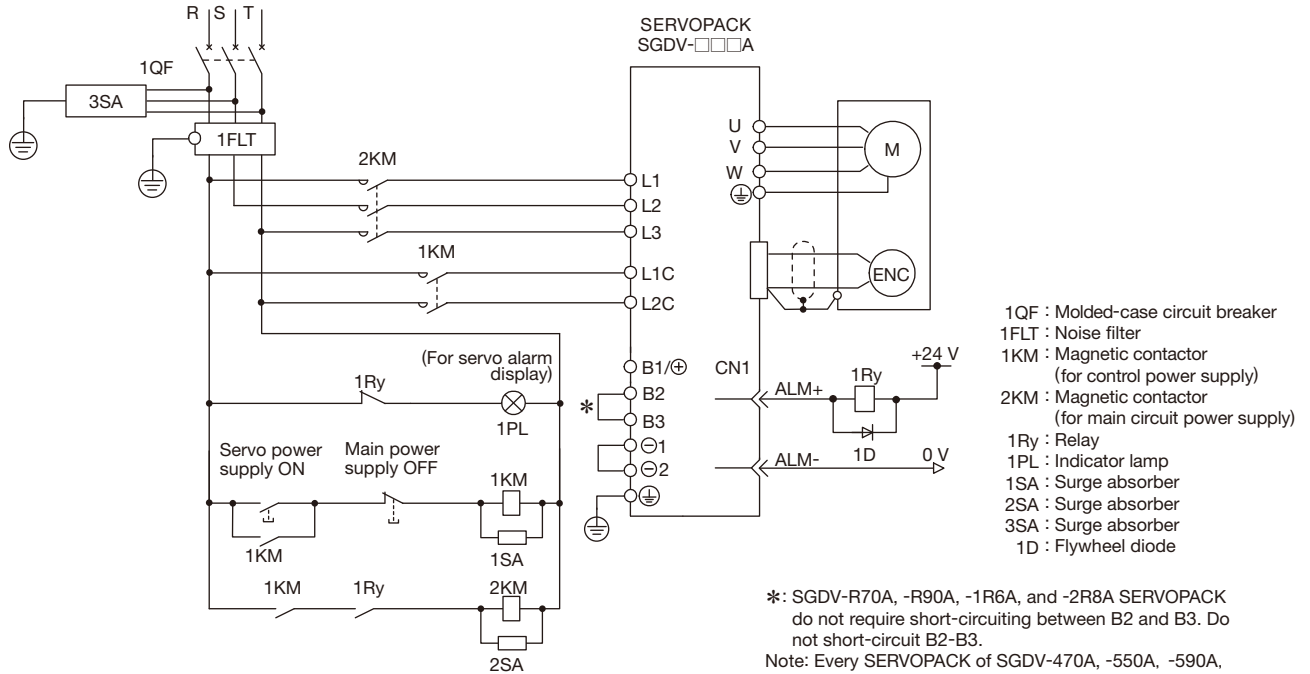


● Single-phase 200 V

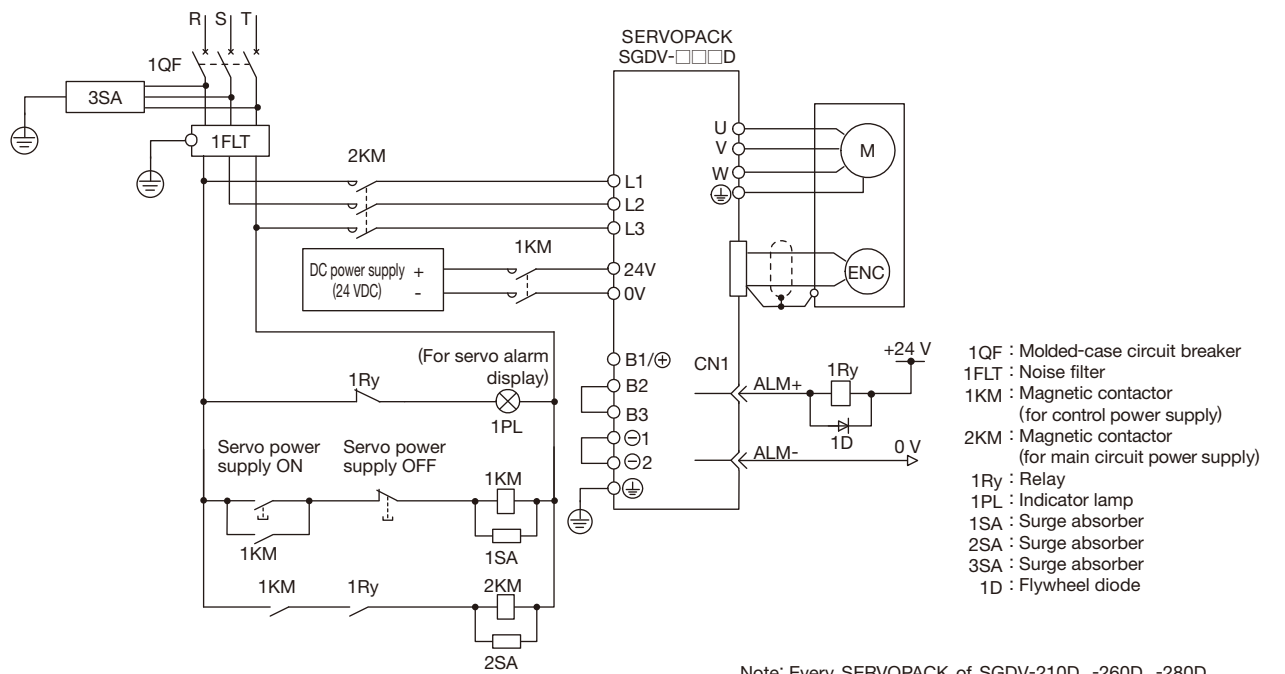


Wiring Main Circuit

● Three-phase 200 V



● Three-phase 400 V



Wiring Main Circuit

● General Precautions for Wiring

IMPORTANT

- Use a molded-case circuit breaker (QF) or fuse to protect the Main Circuit.
The SERVOPACK connects directly to a commercial power supply; it is not isolated by a transformer or other device.
Always use a molded-case circuit breaker (QF) or fuse to protect the servo system from accidents involving different power system voltages or other accidents.
- Install a ground fault detector.
The SERVOPACK does not have a built-in protective circuit for grounding. To configure a safer system, install a ground fault detector against overloads and short-circuiting, or install a ground fault detector combined with a molded-case circuit breaker.
- Do not turn power ON and OFF frequently.
The power supply in the SERVOPACK contains a capacitor, which causes a high charging current to flow when power is turned ON. Frequently turning power ON and OFF will cause the main circuit elements in the SERVOPACK to deteriorate.

To ensure safe, stable application of the servo system, observe the following precautions when wiring.

Observe the following precautions when wiring the main circuit.

- Use shielded twisted-pair wires or shielded multi-core twisted-pair wires for signal lines and encoder lines.
- The maximum wiring length is 3 m for signal lines and 50 m for encoder lines.

Observe the following precautions when wiring the ground.

- Use a cable as thick as possible (at least 2.0 mm²)
- Ground the 100-V and the 200-V SERVOPACK to a resistance of 100 Ω or less. Ground the 400-V SERVOPACK to a resistance of 10 Ω or less.
- Be sure to ground at only one point.
- Ground the servomotor directly if the servomotor is insulated from the machine.

The signal cable conductors are as thin as 0.2 mm² or 0.3 mm². Do not impose excessive bending force or tension.

SERVOPACK Main Circuit Wire

● Single-phase, 100 V

Cables	Terminal Symbol	SERVOPACK Model SGD V-			
		R70F	R90F	2R1F	2R8F
Main Circuit Power Cable	L1, L2	HIV1.25		HIV2.0	
Servomotor Main Circuit Cable*	U, V, W	HIV1.25			
Control Power Cable	L1C, L2C	HIV1.25			
External Regenerative Resistor Cable	B1/⊕, B2	HIV1.25			
Ground Cable	⊖	HIV2.0 min.			

*: When selecting a main circuit cable, refer to the table of the servomotor to be connected for the applicable wire size.

● Single-phase, 200 V

Cables	Terminal Symbol	SERVOPACK Model SGD V-					
		R70A	R90A	1R6A	2R8A	5R5A	120A*1
Main Circuit Power Cable	L1, L2	HIV1.25			HIV2.0		HIV3.5
Servomotor Main Circuit Cable*2	U, V, W	HIV1.25				HIV2.0	
Control Power Cable	L1C, L2C	HIV1.25					
External Regenerative Resistor Cable	B1/⊕, B2	HIV1.25					
Ground Cable	⊖	HIV2.0 min.					

*1: The official model number is SGD V-120A□1A008000.

*2: When selecting a main circuit cable, refer to the table of the servomotor to be connected for the applicable wire size.

● Three-phase, 200 V

Cables	Terminal Symbol	SERVOPACK Model SGD V-														
		R70A	R90A	1R6A	2R8A	3R8A	5R5A	7R6A	120A	180A	200A	330A	470A	550A	590A	780A
Main Circuit Power Cable	L1, L2, L3	HIV1.25			HIV2.0				HIV3.5		HIV5.5	HIV8	HIV14	HIV22		
Servomotor Main Circuit Cable*	U, V, W	HIV1.25				HIV2.0			HIV5.5		HIV8.0	HIV14		HIV22		
Control Power Cable	L1C, L2C	HIV1.25														
External Regenerative Resistor Cable	B1/⊕, B2	HIV1.25							HIV2.0	HIV3.5	HIV5.5	HIV8		HIV22		
Ground Cable	⊖	HIV2.0 min.														

*: When selecting a main circuit cable, refer to the table of the servomotor to be connected for the applicable wire size.

● Three-phase, 400 V

Cables	Terminal Symbol	SERVOPACK Model SGD V-										
		1R9D	3R5D	5R4D	8R4D	120D	170D	210D	260D	280D	370D	
Main Circuit Power Cable	L1, L2, L3	HIV1.25			HIV2.0		HIV3.5		HIV5.5	HIV8	HIV14	
Servomotor Main Circuit Cable*	U, V, W	HIV1.25			HIV2.0		HIV3.5	HIV5.5		HIV8	HIV14	
Control Power Cable	24V, 0V	HIV1.25										
External Regenerative Resistor Cable	B1/⊕, B2	HIV1.25					HIV2.0	HIV3.5		HIV5.5	HIV8	
Ground Cable	⊖	HIV2.0 min.										

*: When selecting a main circuit cable, refer to the table of the servomotor to be connected for the applicable wire size.

● Wire Type

Use the following type of wire for main circuit.

Wire Type		Allowable Conductor Temperature ℃
Code	Name	
IV	600 V polyvinyl chloride insulated wire	60
HIV	600 V grade heat-resistant polyvinyl chloride insulated wire	75

SERVOPACK Main Circuit Wire

The following table shows the size and allowable currents for the wires. Use a wire whose specifications meet or are less than the values in the table.

● 600 V grade heat-resistant polyvinyl chloride insulated wires

AWG size	Nominal Cross Section Diameter mm ²	Configuration (Number of Wires/mm)	Conductive Resistance (Ω /km)	Allowable Current at Ambient Temperatures A		
				30°C	40°C	50°C
20	0.5	19/0.18	39.5	6.6	5.6	4.5
19	0.75	30/0.18	26.0	8.8	7	5.5
18	0.9	37/0.18	24.4	9	7.7	6
16	1.25	50/0.18	15.6	12	11	8.5
14	2.0	7/0.6	9.53	23	20	16
12	3.5	7/0.8	5.41	33	29	24
10	5.5	7/1.0	3.47	43	38	31
8	8.0	7/1.2	2.41	55	49	40
6	14.0	7/1.6	1.35	79	70	57
4	22.0	7/2.6	0.85	91	81	66

Note: The values in the table are only for reference.

IMPORTANT

- 1 Wire sizes are selected for three cables per bundle at 40°C ambient temperature with the rated current.
- 2 Use a wire with a minimum withstand voltage of 600 V for the main circuit.
- 3 If wires are bundled in PVC or metal ducts, take into account the reduction of the allowable current.
- 4 Use a heat-resistant wire under high ambient or panel temperatures, where polyvinyl chloride insulated wires will rapidly deteriorate.

Molded-case Circuit Breaker and Fuse Capacity

Main Circuit Power Supply	Applicable Servomotor Max. Capacity kW	SERVOPACK Model SGD V-	Power Supply Capacity per SERVOPACK kVA	Current Capacity		Inrush Current	
				Main Circuit Arms	Control Circuit Arms	Main Circuit A0-p	Control Circuit A0-p
Single-phase 100 V	0.05	R70F	0.2	1.5	0.38	16.5	35
	0.1	R90F	0.3	2.5			
	0.2	2R1F	0.7	5			
	0.4	2R8F	1.4	10			
Single-phase 200 V	0.05	R70A	0.2	2	0.2	33	70
	0.1	R90A	0.3	2			
	0.2	1R6A	0.7	3			
	0.4	2R8A	1.2	5			
	0.75	5R5A	1.9	9			
	1.5	120A*	4	16	0.25	33	
Three-phase 200 V	0.05	R70A	0.2	1.0	0.2	33	70
	0.1	R90A	0.3	1.0			
	0.2	1R6A	0.6	2.0			
	0.4	2R8A	1	3.0			
	0.5	3R8A	1.4	3.0			
	0.75	5R5A	1.6	6.0			
	1.0	7R6A	2.3	6.0			
	1.5	120A	3.2	7.3			
	2.0	180A	4	9.7	0.25	33	
	3.0	200A	5.9	15			
	5.0	330A	7.5	25			
	6.0	470A	10.7	29			
	7.5	550A	14.6	37			
	11	590A	21.7	54			
	15	780A	29.6	73	0.45		109
Three-phase 400 V	0.5	1R9D	1.1	1.4	1.2	17	-
	1.0	3R5D	2.3	2.9			
	1.5	5R4D	3.5	4.3			
	2.0	8R4D	4.5	5.8	1.4	34	
	3.0	120D	7.1	8.6			
	5.0	170D	11.7	14.5			
	6.0	210D	12.4	17.4	1.5	57	
	7.5	260D	14.4	21.7			
	11	280D	21.9	31.8			
15	370D	30.6	43.4	1.7	68		

*: The official model number is SGD V-120A□1A008000.

Notes: 1 To comply with the low voltage directive, connect a fuse to the input side. Select the fuse or molded-case circuit breaker for the input side from among models that are compliant with UL standards.

The table above also provides the net values of current capacity and inrush current. Select a fuse and a molded-case circuit breaker which meet the breaking characteristics shown below.

- Main circuit, control circuit: No breaking at three-times the current values of the table for 5 s.
- Inrush current: No breaking at the same current values of the table for 20 ms.

2 In accordance with UL standards, the following restrictions apply.

SERVOPACK SGD V-	Restrictions
120A□1A008000, 180A, 200A	Available rated current for molded-case circuit breaker: 40 A or less
330A	<ul style="list-style-type: none"> · Available rated current for non-time delay fuse: 70 A or less · Available rated current for time delay fuse: 40 A or less · Do not use single wires.
470A, 550A	<ul style="list-style-type: none"> · Available rated current for molded-case circuit breaker: 60 A or less · Available rated current for non-time delay fuse or time delay fuse: 60 A or less
590A, 780A	<ul style="list-style-type: none"> · Available rated current for molded-case circuit breaker: 100 A or less · Available rated current for non-time delay fuse or time delay fuse: 100 A or less (Available rated current for class J non-time delay or faster fuse: 125 A or less)
210D, 260D	<ul style="list-style-type: none"> · Available rated current for molded-case circuit breaker: 60 A or less · Available rated current for non-time delay fuse: 60 A or less · Available rated current for time delay fuse: 35 A or less
280D, 370D	<ul style="list-style-type: none"> · Available rated current for molded-case circuit breaker: 80 A or less · Available rated current for non-time delay fuse: 125 A or less · Available rated current for time delay fuse: 75 A or less

Noise Filters

● Noise Filter Selection

Main Circuit Power Supply	SERVOPACK Model SGDV-	Recommended Noise Filter			Details
		Model	Specifications	Leakage Current	
Single-phase 100 V	R70F, R90F	FN2070-6-07	Single-phase 250V 6A	0.734 mA 230VAC/50Hz	(1)
	2R1F	FN2070-10-07	Single-phase 250V 10A		
	2R8F	FN2070-16-07	Single-phase 250V 16A		
Single-phase 200 V	R70A, R90A, 1R6A	FN2070-6-07	Single-phase 250V 6A	0.734 mA 230VAC/50Hz	(1)
	2R8A	FN2070-10-07	Single-phase 250V 10A		
	5R5A	FN2070-16-07	Single-phase 250V 16A		
	120A	FN350-30-33	Single-phase 250V 30A	5.4 mA 230VAC/50Hz	
Three-phase 200 V	R70A, R90A, 1R6A 2R8A, 3R8A	FN258L-7-07	Three-phase 480V 7A	0.5 mA 440VAC/50Hz	(2)
	5R5A, 7R6A	FN258L-16-07	Three-phase 480V 16A	0.8 mA 440VAC/50Hz	
	120A, 180A	HF3020C-UQC	Three-phase 480V 20A	10 mA 400VAC/50Hz	
	200A	HF3030C-UQC	Three-phase 480V 30A		
	330A, 470A	HF3050C-UQC	Three-phase 480V 50A		
	550A	HF3060C-UQC	Three-phase 480V 60A		
	590A, 780A	HF3100C-UQB	Three-phase 480V 100A	(3)	
Three-phase 400 V	1R9D, 3R5D, 5R4D	FN258L-7-07	Three-phase 480V 7A	0.8 mA 440VAC/50Hz	(2)
	8R4D, 120D	FN258L-16-07	Three-phase 480V 16A	160 mA 440VAC/50Hz	(3)
	170D	FMAC-0934-5010	Three-phase 480V 35A	10 mA 400VAC/50Hz	(2)
	210D, 260D	HF3050C-UQC	Three-phase 480V 50A	400VAC/50Hz	(3)
	280D, 370D	HF3080C-UQB	Three-phase 480V 80A		

Note: RoHS-compliant models are not available. Contact the manufacturers when in need of an RoHS-compliant model.

IMPORTANT

Some noise filters have large amounts of leakage current. The grounding measures taken also affect the extent of the leakage current. If necessary, select an appropriate leakage current detector or leakage current breaker taking into account the grounding measures that are used and leakage current from the noise filter. Contact the manufacturer of the noise filter for details.

Noise Filters

(2) FN Type and HF Type

Model	FN Type [by Schaffner EMC, Inc.]		HF Type [by SOSHIN ELECTRIC CO., LTD.]		
	FN258L-7-07	FN258L-16-07	HF3020C-UQC HF3030C-UQC	HF3050C-UQC HF3060C-UQC	
Dimensional Drawings					
External Dimensions	Code	Dimensions		Dimensions	
	A	255±1	305±1	236	256
	B	126±0.8	142±0.8	221	241
	C	50±0.6	55±0.6	206	226
	D	225±0.8	275±0.8	184	204
	E	240±0.5	290±0.5	105	115
	F	25±0.3	30±0.3	90	100
	G	6.5±0.2		76	86
	H	300±10		122	127
	J	1±0.1		5.5×7 Dia.	5.5×7 Dia.
	K	-		M5	M5
	L	9±1		M5	M5
	M	-		16	16
	N	-		13	13
O	M5		51.4	51.4	
P	AWG16	AWG14	13	13	
Q	-		61.1	61.1	

(3) HF Type and FMAC Type

Model	HF Type [by SOSHIN ELECTRIC CO., LTD.]	FMAC Type [by Schurter, Inc.]
	HF3080C-UQB HF3100C-UQB	FMAC-0934-5010
External Dimensions		

Surge Absorber

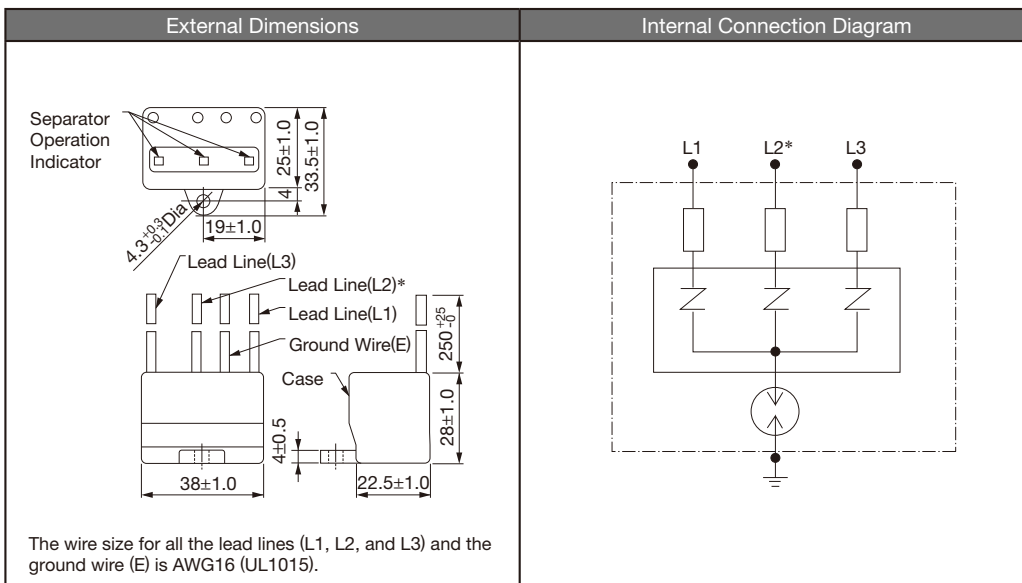
● Surge Absorber Selection

The surge absorber (for lightning surge) absorbs lightning surge and prevents faulty operation in or damage to electronic circuits.

Main Circuit Power Supply	SERVOPACK Model SGDV-	Recommended Surge Absorber
Single-phase 100 V	□□□F	LT-C12G801WS
Single-phase 200 V	□□□A	LT-C12G801WS
Three-phase 200 V	□□□A	LT-C32G801WS
Three-phase 400 V	□□□D	LT-C35G102WS

● External Dimensions (Units: mm)

Model: LT-C32G801WS, LT-C35G102WS, LT-C12G801WS [by SOSHIN ELECTRIC CO., LTD.]



*: No L2 is on the LT-C12G801WS surge absorber.

Magnetic Contactors

● Magnetic Contactor Selection

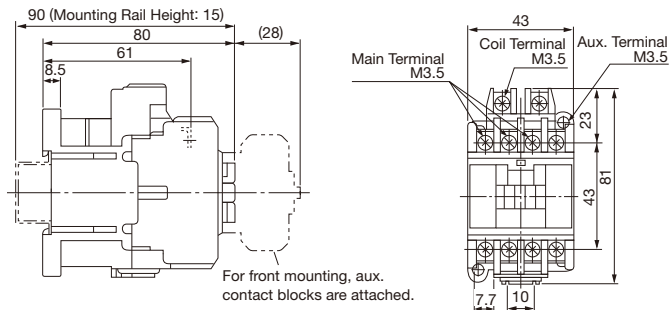
A magnetic contactor is required to make the AC power to SERVOPACK ON/OFF sequence externally. Be sure to attach a surge absorber (for switching surge) (surge absorber unit etc.) to the excitation coil of the magnetic contactor.

Main Circuit Power Supply	SERVOPACK Model SGDV-	Magnetic Contactor	
		Model	Specifications
Single-phase 100 V	R70F, R90F, 2R1F	SC-03	(RoHS)
	2R8F	SC-4-1	(RoHS)
Single-phase 200 V	R70A, R90A, 1R6A, 2R8A	SC-03	(RoHS)
	5R5A	SC-4-1	(RoHS)
	120A	SC-5-1	(RoHS)
Three-phase 200 V	R70A, R90A, 1R6A, 2R8A, 3R8A	SC-03	(RoHS)
	5R5A, 7R6A, 120A	SC-4-1	(RoHS)
	180A, 200A	SC-5-1	(RoHS)
	330A, 470A	SC-N1	(RoHS)
	550A	SC-N2	(RoHS)
	590A	SC-N2S	(RoHS)
	780A	SC-N3	(RoHS)
Three-phase 400 V	1R9D, 3R5D, 5R4D	SC-4-1/G	Coil 24 VDC (RoHS)
	8R4D, 120D	SC-5-1/G	Coil 24 VDC (RoHS)
	170D, 210D, 260D	SC-N1/G	Coil 24 VDC (RoHS)
	280D, 370D	SC-N2S/G	Coil 24 VDC (RoHS)

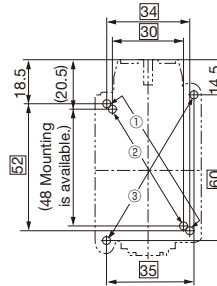
Note: Contact Fuji Electric FA Components & Systems Co., Ltd.

● External Dimensions (Units: mm)

• SC-03



Mounting Hole Dimensions



Aux. Contact	Structure
1a	
1b	

● Mounting methods : The following methods ①, ②, ③ are available.

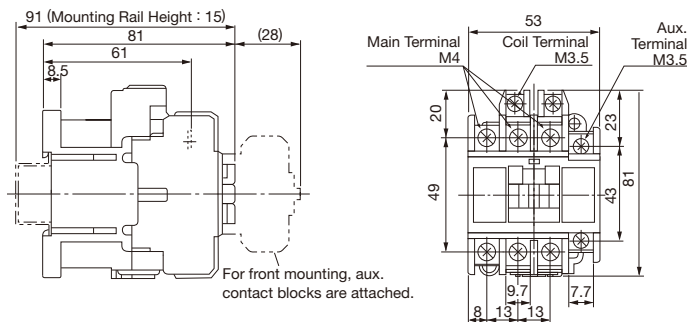
- ①...34 × (48 to) 52
- ②...30 × 48
- ③...35 × 60

● Mounting screw : 2-M4

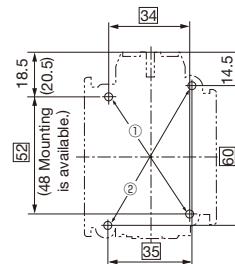
Use the two mounting holes on the diagonal line to mount a contactor.

Approx. Mass : 0.32 kg

• SC-4-1



Mounting Hole Dimensions



Aux. Contact	Structure
1a	
1b	

● Mounting methods : The following methods ①, ② are available.

- ①...34 × (48 to) 52
- ②...35 × 60

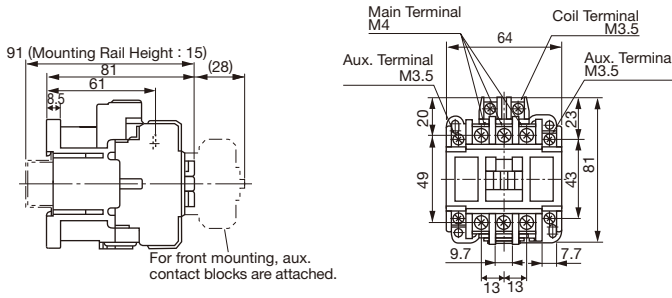
● Mounting screw : 2-M4

Use the two mounting holes on the diagonal line to mount a contactor.

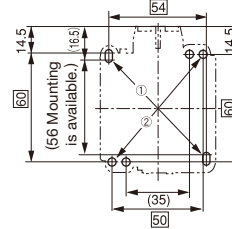
Approx. Mass : 0.36 kg

Magnetic Contactor

• SC-5-1



Mounting Hole Dimensions

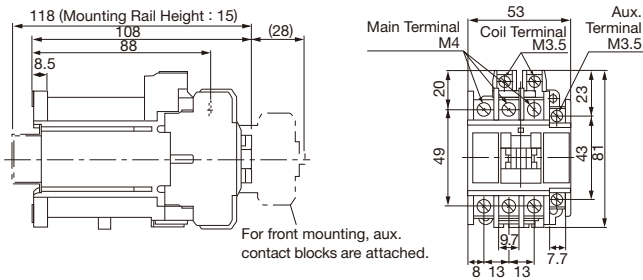


Aux. Contact	Structure
2a	
1a1b	
2b	

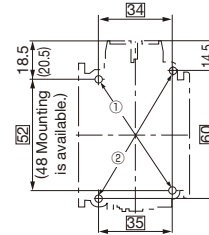
- Mounting methods : The following methods ①, ② are available.
 - ①...54 × (56 to) 60
 - ②...50 × 60
 - Mounting screw : 2-M4
- Use the two mounting holes on the diagonal line to mount a contactor.

Approx. Mass: 0.38 kg

• SC-4-1/G



Mounting Hole Dimensions

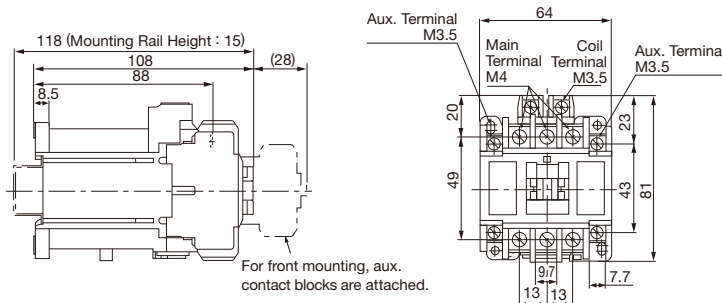


Aux. Contact	Structure
1a	
1b	

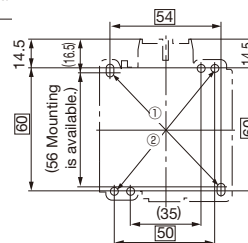
- Mounting methods : The following methods ①, ② are available.
 - ①...34 × (48 to) 52
 - ②...35 × 60
 - Mounting screw : 2-M4
- Use the two mounting holes on the diagonal line to mount a contactor.

Approx. Mass : 0.6 kg

• SC-5-1/G



Mounting Hole Dimensions



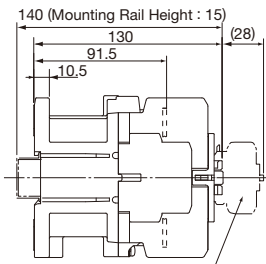
Aux. Contact	Structure
2a	
1a1b	
2b	

- Mounting methods : The following methods ①, ② are available.
 - ①...54 × (56 to) 60
 - ②...50 × 60
 - Mounting screw : 2-M4
- Use the two mounting holes on the diagonal line to mount a contactor.

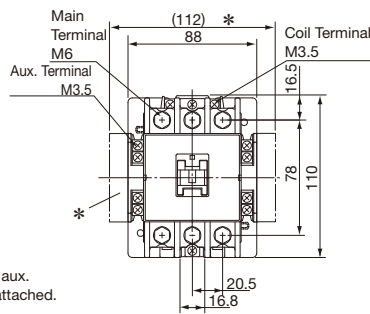
Approx. Mass : 0.62 kg

Magnetic Contactor

SC-N2S/G

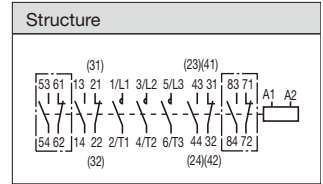
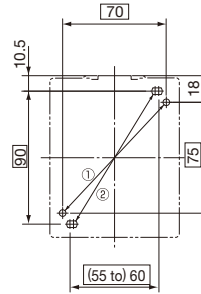


For front mounting, aux. contact blocks are attached.



*: For two side mounting, aux. contact blocks are attached.

Mounting Hole Dimensions



Approx. Mass: 1.4 kg

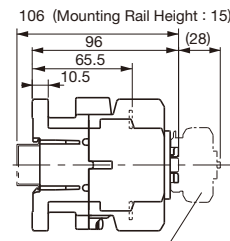
● Mounting methods : The following methods ①, ② are available.

①...70 × 75 ②...(55 to) 65 × 90

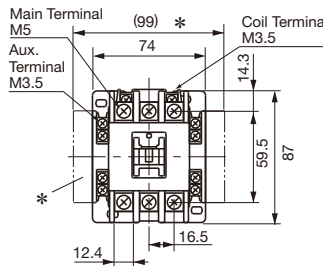
● Mounting screw : 2-M4

Use the two mounting holes on the diagonal line to mount a contactor.

SC-N1, SC-N2

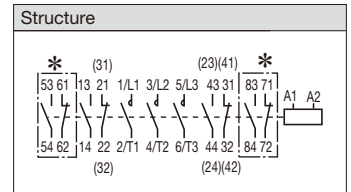
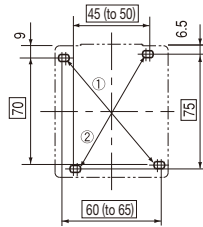


For front mounting, aux. contact blocks are attached.



*: For two side mounting, aux. contact blocks attached.

Mounting Hole Dimensions



*: These contacts are used if the auxiliary contacts consist of four normally open (NO) and four normally close (NC) contacts.

Note: The terminals of the auxiliary contacts are numbered differently than conventional terminals. The numbers in parentheses use the conventional method.

● Mounting methods :

The following methods ①, ② are available.

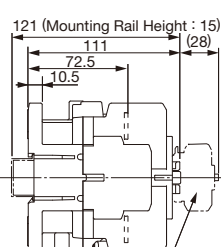
①...70 × 75 ②...(55 to) 65 × 90

● Mounting screw : 2-M4

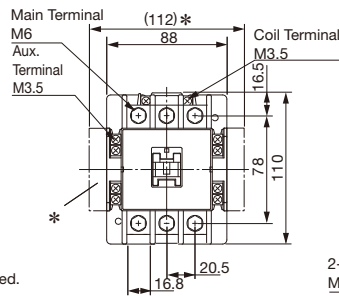
Use the two mounting holes on the diagonal line to mount a contactor.

Approx. Mass: 0.59 kg

SC-N2S, SC-N3

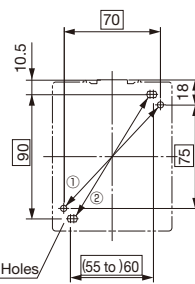


For front mounting, aux. contact blocks are attached.



*: For two side mounting, aux. contact blocks attached.

Mounting Hole Dimensions



2-M4 Mounting Holes

● Mounting methods :

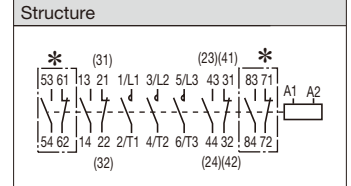
The following methods ①, ② are available.

①...70 × 75 ②...(55 to) 60 × 90

● Mounting screw : 2-M4

Use the two mounting holes on the diagonal line to mount a contactor.

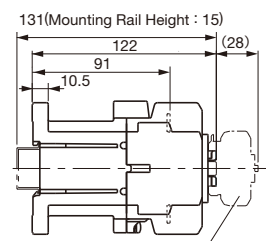
Approx. Mass: 1.1 kg



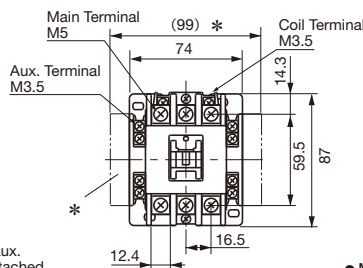
*: These contacts are used if the auxiliary contacts consist of four normally open (NO) and four normally close (NC) contacts.

Note: The terminals of the auxiliary contacts are numbered differently than conventional terminals. The numbers in parentheses use the conventional method.

SC-N1/G

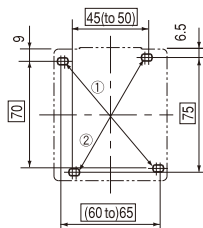


For front mounting, aux. contact blocks are attached.



*: For two side mounting, aux. contact blocks attached.

Mounting Hole Dimensions



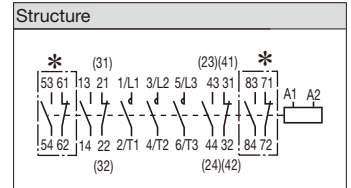
● Mounting methods :

The following methods ①, ② are available

①... (60 to) 65 × 70 ②...45 (to 50) × 70

● Mounting screw : 2-M4

Use the two mounting holes on the diagonal line to mount a contactor.



*: These contacts are used if the auxiliary contacts consist of four normally open (NO) and four normally close (NC) contacts.

Note: The terminals of the auxiliary contacts are numbered differently than conventional terminals. The numbers in parentheses use the conventional method.

Approx. Mass: 0.82 kg

AC/DC Reactors

● Selection

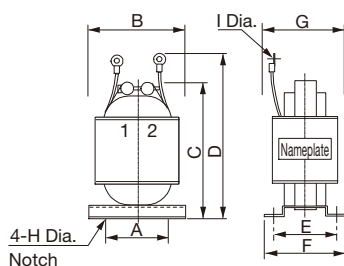
If harmonic suppression of the power supply is needed, connect a DC reactor between main circuit terminals $\ominus 1$ and $\ominus 2$ for the single-phase 200 V, the three-phase 200 V, or the three-phase 400 V SERVOPACK. Also, connect an AC reactor to main circuit terminal L1 in series for the single-phase 100 V SERVOPACK.

Select an AC or DC reactor according to the rating of the SERVOPACK.

Main Circuit Power Supply	SERVOPACK SGD V-	AC Reactor Model	DC Reactor Model	Inductance mH	Rated Current A
Single-phase 100 V	R70F, R90F	X5053	—	20.0	2.0
	2R1F	X5054	—	5.0	3.0
	2R8F	X5056	—	2.0	5.0
Single-phase 200 V	R70A, R90A	—	X5071	40.0	0.85
	1R6A	—	X5070	20.0	1.65
	2R8A	—	X5069	10.0	3.3
	5R5A	—	X5079	4.0	5.3
	120A	—	X5078	2.5	10.5
Three-phase 200 V	R70A, R90A, 1R6A, 2R8A, 3R8A, 5R5A, 7R6A	—	X5061	2.0	4.8
	120A, 180A	—	X5060	1.5	8.8
	200A	—	X5059	1.0	14.0
	330A	—	X5068	0.47	26.8
	470A, 550A, 590A, 780A	—	—	—	—
Three-phase 400 V	1R9D	—	X5074	4.7	1.5
	3R5D, 5R4D	—	X5075	3.3	4.5
	8R4D, 120D	—	X5076	2.2	8.6
	170D	—	X5077	1.5	14.1
	210D, 260D, 280D, 370D	—	—	—	—

Note: RoHS-compliant models are not available. The last digit of an RoHS-compliant model number is R. Contact the manufacturers when selecting an RoHS-compliant model.

● External Dimensions (Units: mm)



AC/DC Reactor Model	External Dimensions									Approx. Mass kg
	A	B	C	D	E	F	G	H Dia.	I Dia.	
X5053	35	52	90	105	35	45	50	4	4.3	0.6
X5054	35	52	80	95	30	40	45	4	4.5	0.4
X5056	35	52	80	95	30	40	45	4	4.3	0.4
X5059	50	74	125	140	35	45	60	5	5.3	1.1
X5060	40	59	105	125	45	60	65	4	4.3	1.0
X5061	35	52	80	95	35	45	50	4	4.3	0.5
X5068	50	74	125	155	53	66	75	5	6.4	1.9
X5069	40	59	105	125	45	60	65	4	4.3	1.0
X5070	40	59	100	120	35	45	50	4	4.3	0.8
X5071	35	52	80	95	30	40	45	4	4.3	0.5
X5074	30	47	70	85	28	38	45	4	4.3	0.3
X5075	40	59	100	120	40	50	55	4	4.3	0.9
X5076	50	74	125	140	35	45	60	5	4.3	1.1
X5077	50	74	125	155	53	66	75	5	5.3	1.9
X5078	50	74	125	155	60	70	80	5	5.3	2.0
X5079	50	74	125	140	35	45	60	5	4.3	1.2

Holding Brake Power Supply Unit

● Holding Brake Power Supply Unit

IMPORTANT

- We recommend opening or closing the circuit for the holding brake's power supply so that switching will occur on the AC side of the holding brake power supply unit. This will reduce brake operation time compared to switching on the DC side.
- When switching on the DC side, install an extra surge absorber (varistor) on the brake side apart from the surge absorber built in the brake circuit to prevent damage to the brake coil from surge voltage.
- Holding brake power supply units for 24 VDC are not provided by Yaskawa. Please obtain these from other manufacturers. Do not connect holding brake power supply units for different output voltages to SERVOPACKs. Overcurrent may result in burning.

● Model

200 V input: LPSE-2H01-E

100 V input: LPDE-1H01-E

● Specifications

Rated output voltage: 90 VDC

Maximum output current: DC 1.0 A

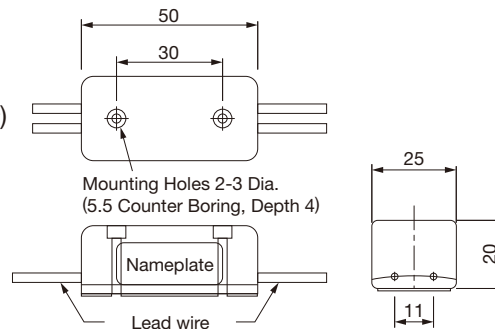
Lead wire length: 500 mm each

Maximum ambient temperature: 60°C

Lead wires: Color coded (refer to the table below)

AC input		Brake end
100 V	200 V	
Blue/white	Yellow/white	Red/black

● External Dimensions (Units: mm)



● Internal Circuits

We recommend opening or closing the circuit for the holding brake's power supply so that switching will occur on the DC side of the holding brake power supply unit. This will reduce brake operation time compared to switching on the AC side.

When switching on the DC side, install an extra surge absorber (varistor) on the brake side apart from the surge absorber built in the brake circuit to prevent damage to the brake coil from surge voltage.

For details on the surge absorber (varistor), refer to *Surge absorbers (Varistors)* on the next page.

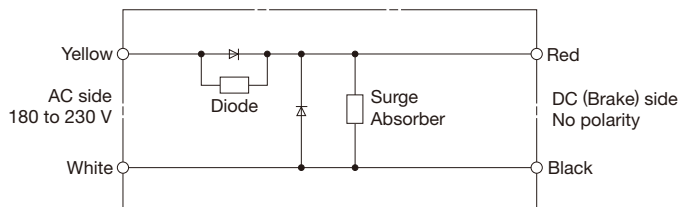
<Surge Absorber Selection>

When using the LPSE-2H01-E, select a Z10D471 surge absorber made by SEMITEC Corp.

When using the LPDE-1H01-E, select a Z10D271 surge absorber made by SEMITEC Corp.

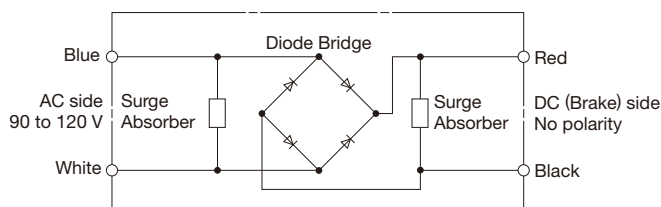
Brake Power Supply for 200 VAC

Internal Circuit for Model: LPSE-2H01-E



Brake Power Supply for 100 VAC

Internal Circuit for Model: LPDE-1H01-E



Surge Absorbers for Holding Brakes, Diodes, and Open/Close Relays

● Surge absorbers (Varistors)

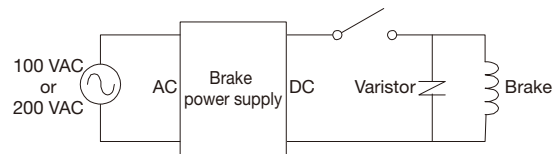
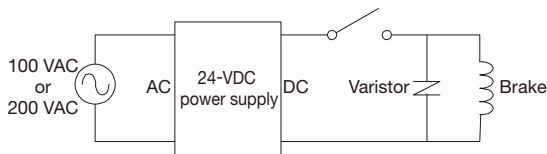
Select an appropriate surge absorber for the power voltage and the current of the brake to be used. Refer to the following diagrams for the circuit designs of surge absorbers. Surge absorbers are not included.

Brake Power Supply Voltage		24 VDC		90 VDC			
Surge Absorber Manufacturer		Nippon Chemi-Con	SEMITEC	Nippon Chemi-Con	SEMITEC	Nippon Chemi-Con	SEMITEC
Brake Rated Current	1 A max.	TNR5V121K	Z5D121	TNR7V271K	Z7D271	TNR7V471K	Z7D471
	2 A max.	TNR7V121K	Z7D121	TNR10V271K	Z10D271	TNR10V471K	Z10D471
	4 A max.	TNR10V121K	Z10D121	—	—	—	—
	8 A max.	TNR14V121K	Z15D121	—	—	—	—
Brake Power Supply		A 24-VDC power supply (not included.)		A 90-VDC power supply (not included) or a LPDE-1H01-E (full-wave rectification)		LPSE-2H01-E (half-wave rectification)	

Note: Surge absorbers do not have any polarity.

The ambient temperature range for surge absorbers is 20°C to 60°C. The element is selected with the condition that it is switched ON and OFF 10 times or less per minute.

The information in the table is just a reference and combinations of these products with brakes do not guarantee the braking characteristics. When selecting surge absorbers for your application, consider the product life and test all operations, including brake timing before use.



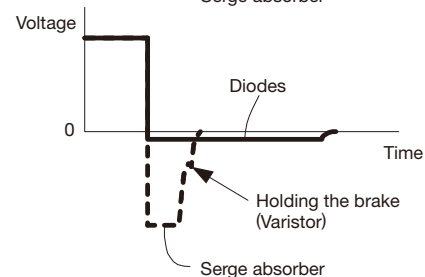
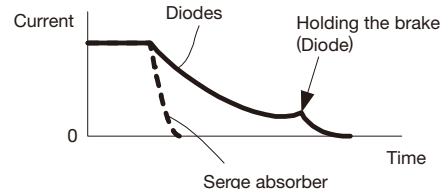
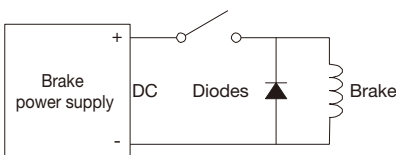
● Diodes

Diodes can be used to suppress back surge that occurs when a relay contact opens. Note that when diodes are used, more time is required to brake than when surge absorbers are used. Select diodes with a rated current greater than that of the brakes and with the recommended withstand voltage shown in the following table. Diodes are not included.

Brake Voltage	Withstand Voltage
24 VDC	100 to 200 V
90 VDC (Full-wave rectification)	400 to 600 V
90 VDC (Half-wave rectification)	800 V min.

Note: Diodes have polarities. Refer to the following diagram when connecting diodes.

When selecting diodes for your application, consider the product life and conduct tests such as operation tests before use.



● Open/close relays for brakes

Select an open/close relay that can be used at the voltage and current of the brake used. When using a SSR (solid state relay) which is a semiconductor relay, use diodes to absorb any back surge. Open/close relays are not included.

Regenerative Resistors

● Regenerative Power and Regenerative Resistance

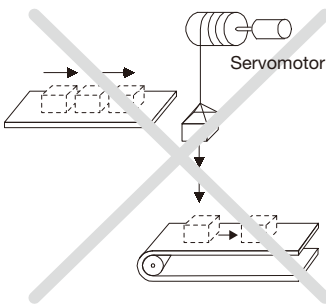
The rotational energy of driven machine such as servomotor is returned to the SERVOPACK. This is called regenerative power. The regenerative power is absorbed by charging the smoothing capacitor, but when the chargeable energy is exceeded, the regenerative power is further consumed by the regenerative resistor.

The servomotor is driven in regeneration state in the following circumstances:

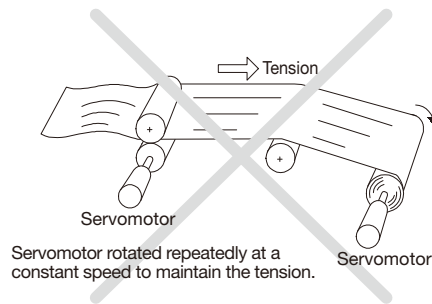
- While decelerating to a stop during acceleration and deceleration operation.
- Continuous operation on the vertical axis.
- During continuous operation with the servomotor rotated from the load side (negative load).

A servomotor may not be operated with an overhanging load, which tends to continuously rotate the motor. following figures show a typical example of such a load.

● DO NOT use the servomotor with the Vertical Axis Motor Drive without Counterweight



● DO NOT use the servomotor with the Feeding Motor Drive



IMPORTANT

- Never operate servomotors with an overhanging load. Doing so will cause the SERVOPACKs' regenerative brake to be applied continuously and the regenerative energy of the load may exceed the allowable range causing damage to the SERVOPACK.
- The regenerative brake capacity of the SGD-V SERVOPACKs is rated for short-term operation approximately equivalent to the time it takes to decelerate to a stop.

External regenerative resistors are sometimes required by the AC servo drive capacity selection program SigmaSize+. When using an external regenerative resistor, parameter Pn600 must be set.

For details, refer to 3.6.2 *Setting Regenerative Resistor Capacity on "Σ-V Series User's Manual Design and Maintenance."* (manual no. SIEP S800000 45)

● Regenerative Resistor Selection

Select regenerative resistors in the following manner. External resistors are to be provided by users.

Voltage	SERVOPACK Model SGD-V	Built-in Regenerative Resistor	Necessity of External Regenerative Resistors	Necessity of External Regenerative Resistors
Single-phase 100 V	□□□F	None	Basically Not Required	No built-in regenerative resistor is provided, however, normally an external regenerative resistor is not required. Install external regenerative resistors when the smoothing capacitor in SERVOPACK cannot process all the regenerative power.
Single-phase 200 V	R70A, R90A, 1R6A, 2R8A			
Three-phase 200 V	5R5A, 120A	Standard Equipment*1	Basically Not Required	A built-in regenerative resistor is provided as standard. Install external regenerative resistors when the built-in regenerative resistor cannot process all the regenerative power.
	R70A, R90A, 1R6A, 2R8A	None	Basically Not Required	No built-in regenerative resistor is provided, however, normally an external regenerative resistor is not required. Install external regenerative resistors when the smoothing capacitor in SERVOPACK cannot process all the regenerative power.
	3R8A, 5R5A, 7R6A, 120A, 180A, 200A, 330A	Standard Equipment*1	Basically Not Required	A built-in regenerative resistor is provided as standard. Install external regenerative resistors when the built-in regenerative resistor cannot process all the regenerative power.
Three-phase 400 V	470A, 550A, 590A, 780A	None	Required*2	No built-in regenerative resistor is provided, so the external regenerative resistor is required. If the external resistor is not connected with the SERVOPACK, the alarm A.300 is detected as a regeneration error alarm.
	1R9D, 3R5D, 5R4D, 8R4D, 120D, 170D	Standard Equipment*1	Basically Not Required	A built-in regenerative resistor is provided as standard. Install external regenerative resistors when the built-in regenerative resistor cannot process all the regenerative power.
	210D, 260D, 280D, 370D	None	Required*2	No built-in regenerative resistor is provided, so the external regenerative resistor is required. If the external resistor is not connected with the SERVOPACK, the alarm A.300 is detected as a regeneration error alarm.

*1: For specifications of built-in regenerative resistors, refer to the next page.

*2: Regenerative resistor units are available. For details, refer to page 378.

Regenerative Resistors

● Specifications of Built-in Regenerative Resistor

The following table shows the specifications of the SERVOPACK's built-in resistor and the amount of regenerative power (average values) that it can process.

Applicable SERVOPACK SGDV-		Specifications of Built-in Resistor		Regenerative Power Processed by Built-in Resistor*1 W	Minimum Allowable Resistance Ω
		Resistance Ω	Capacity W		
Single-phase 100 V	□□□F	—	—	—	40
Single-phase 200 V	R70A, R90A, 1R6A, 2R8A	—	—	—	40
	5R5A	50	40	8	40
	120A	20	50	10	20
Three-phase 200 V	R70A, R90A, 1R6A, 2R8A	—	—	—	40
	3R8A, 5R5A, 7R6A	50	40	8	40
	120A	20	50	10	20
	180A, 200A	12	80	16	12
	330A	8	180	36	8
	470A	(6.25) *2	(880) *2	(180) *2	5.8
	550A, 590A, 780A	(3.13) *3	(1760) *3	(350) *3	2.9
Three-phase 400 V	1R9D, 3R5D, 5R4D	108	70	14	73
	8R4D, 120D	45	140	28	44
	170D	32	180	36	28
	210D, 260D	(18) *4	(880) *4	(180) *4	18
	280D, 370D	(14.25) *5	(1760) *5	(350) *5	14.25

*1: The average regenerative power that can be handled is 20% of the rated capacity of the regenerative resistor built into the SERVOPACK.

*2: For the optional JUSP-RA04-E regenerative resistor unit.

*3: For the optional JUSP-RA05-E regenerative resistor unit.

*4: For the optional JUSP-RA18-E regenerative resistor unit.

*5: For the optional JUSP-RA19-E regenerative resistor unit.

Regenerative Resistors

● References for External Resistor (by Iwaki Musen Kenkyusho Co., Ltd.)

Model	Specifications
RH120	70 W, 1 Ω to 100 Ω
RH150	90 W, 1 Ω to 100 Ω
RH220	120 W, 1 Ω to 100 Ω
RH300C	200 W, 1 Ω to 10 kΩ
RH500	300 W, 2 Ω to 50 Ω

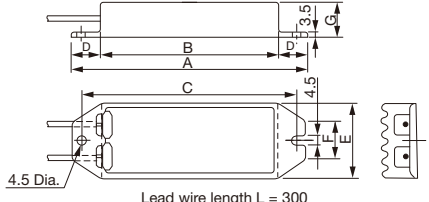
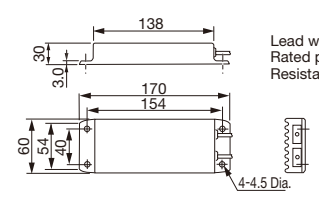
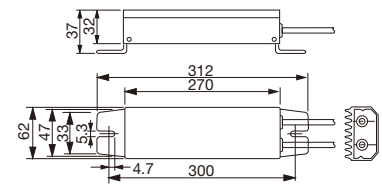
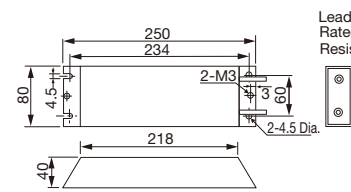
Notes: 1 When using an external regenerative resistor, parameter Pn600 must be set.
For details, refer to 3.6.2 Setting Regenerative Resistor Capacity on "Σ-V Series User's Manual Design and Maintenance." (manual no. SIEP S800000 45)
2 Contact your Yaskawa representative for the regenerative registers with thermostats for details on models and specifications.

Model	Resistance	Tolerance
RH120	10Ω	J
		Code
		K ±10%
		J ±5%
		H ±3%

● Specifications

Resistance Tolerance	K : ±10%, J : ±5%, H : ±3%
Temperature Resistance Characteristics	±400PPM / °C (20 Ω max.), ±260PPM / °C (20 Ω min.)
Withstand Voltage	2000 VAC / min. Δ R: ± (0.1%+0.05 Ω)
Insulation Resistance	500 VDC, 20 MΩ min.
Short-time Overload	When 10 times of rated power is applied for five seconds, Δ R: ±(2%+0.05 Ω)
Life	1000 hours of repeating the operation ON for 90 minutes and OFF for 30 minutes, Δ R: ± (5%+0.05 Ω)
Heat Resistance	Not ignite after having applied 10 times of rated power for one minute
Operating temperature	-25°C to +150°C

● External Dimensions (Units: mm)

RH120, 150, 220	RH220B																																												
 <table border="1" data-bbox="614 1064 869 1265"> <thead> <tr> <th>Model</th> <th>Rated Power</th> <th>Resistance</th> </tr> </thead> <tbody> <tr> <td>RH120</td> <td>70 W</td> <td>1Ω to 100Ω</td> </tr> <tr> <td>RH150</td> <td>90 W</td> <td>1Ω to 100Ω</td> </tr> <tr> <td>RH220</td> <td>120 W</td> <td>1Ω to 100Ω</td> </tr> </tbody> </table> <table border="1" data-bbox="614 1164 869 1265"> <thead> <tr> <th>Dimensions</th> <th>A</th> <th>B</th> <th>C</th> <th>D</th> <th>E</th> <th>F</th> <th>G</th> </tr> </thead> <tbody> <tr> <td>RH120</td> <td>182</td> <td>150</td> <td>172</td> <td>16</td> <td>42</td> <td>22</td> <td>20</td> </tr> <tr> <td>RH150</td> <td>212</td> <td>180</td> <td>202</td> <td>16</td> <td>44</td> <td>24</td> <td>30</td> </tr> <tr> <td>RH220</td> <td>230</td> <td>200</td> <td>220</td> <td>15</td> <td>60</td> <td>24</td> <td>20</td> </tr> </tbody> </table> <p>Lead wire length L = 300</p>	Model	Rated Power	Resistance	RH120	70 W	1Ω to 100Ω	RH150	90 W	1Ω to 100Ω	RH220	120 W	1Ω to 100Ω	Dimensions	A	B	C	D	E	F	G	RH120	182	150	172	16	42	22	20	RH150	212	180	202	16	44	24	30	RH220	230	200	220	15	60	24	20	 <p>Lead wire length : L = 500 Rated power : 120 W Resistance : 1 Ω to 100 Ω</p>
Model	Rated Power	Resistance																																											
RH120	70 W	1Ω to 100Ω																																											
RH150	90 W	1Ω to 100Ω																																											
RH220	120 W	1Ω to 100Ω																																											
Dimensions	A	B	C	D	E	F	G																																						
RH120	182	150	172	16	42	22	20																																						
RH150	212	180	202	16	44	24	30																																						
RH220	230	200	220	15	60	24	20																																						
RH300C	RH500																																												
 <p>Lead wire length : L = 300 Rated power : 200 W Resistance : 1 Ω to 10 kΩ</p>	 <p>Lead wire length : L = 450 Rated power : 300 W Resistance : 2 Ω to 50 Ω</p>																																												

Regenerative Resistor

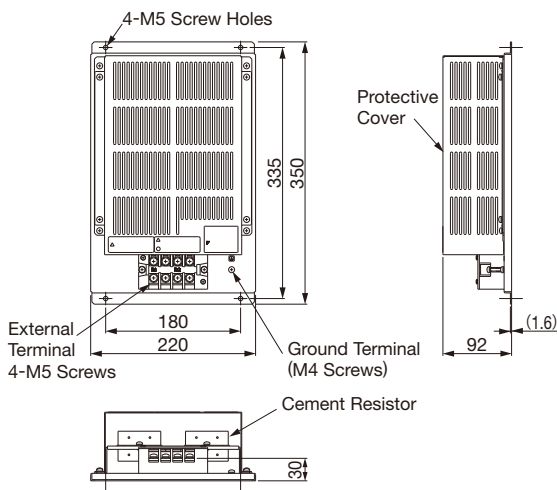
● Regenerative Resistor Unit

SERVOPACK Model SGD-	Regenerative Resistor Unit Model	Specifications	Allowable Power Loss
470A	JUSP-RA04-E	6.25 Ω , 880 W	180 W
550A, 590A, 780A	JUSP-RA05-E	3.13 Ω , 1760 W	350 W
210D, 260D	JUSP-RA18-E	18 Ω , 880 W	180 W
280D, 370D	JUSP-RA19-E	14.25 Ω , 1760 W	350 W

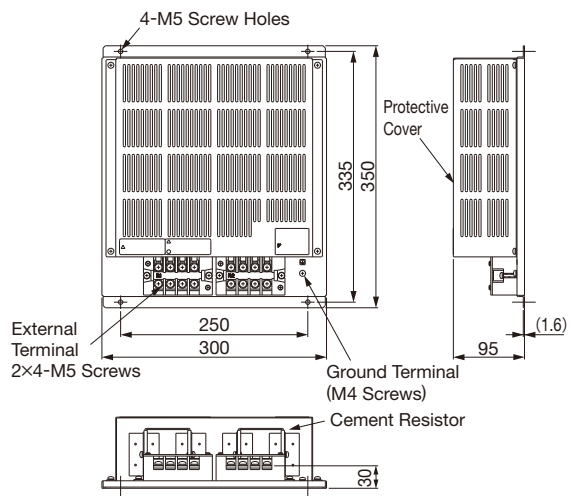
Note: Only when using the regenerative resistors above, parameter Pn600 does not need to be set.

● External Dimensions (Units: mm)

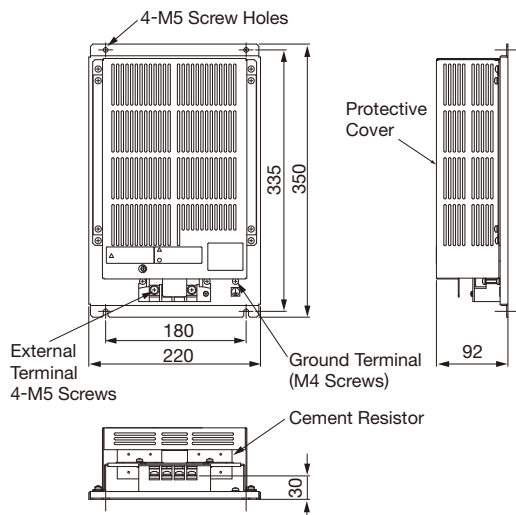
(1) JUSP-RA04-E



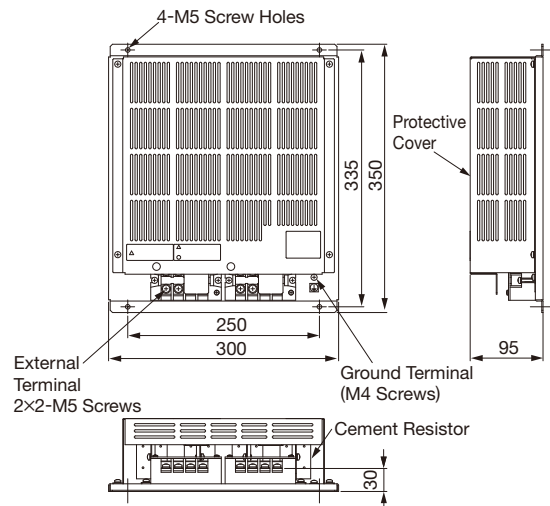
(2) JUSP-RA05-E



(3) JUSP-RA18-E



(4) JUSP-RA19-E



Fully-closed Module

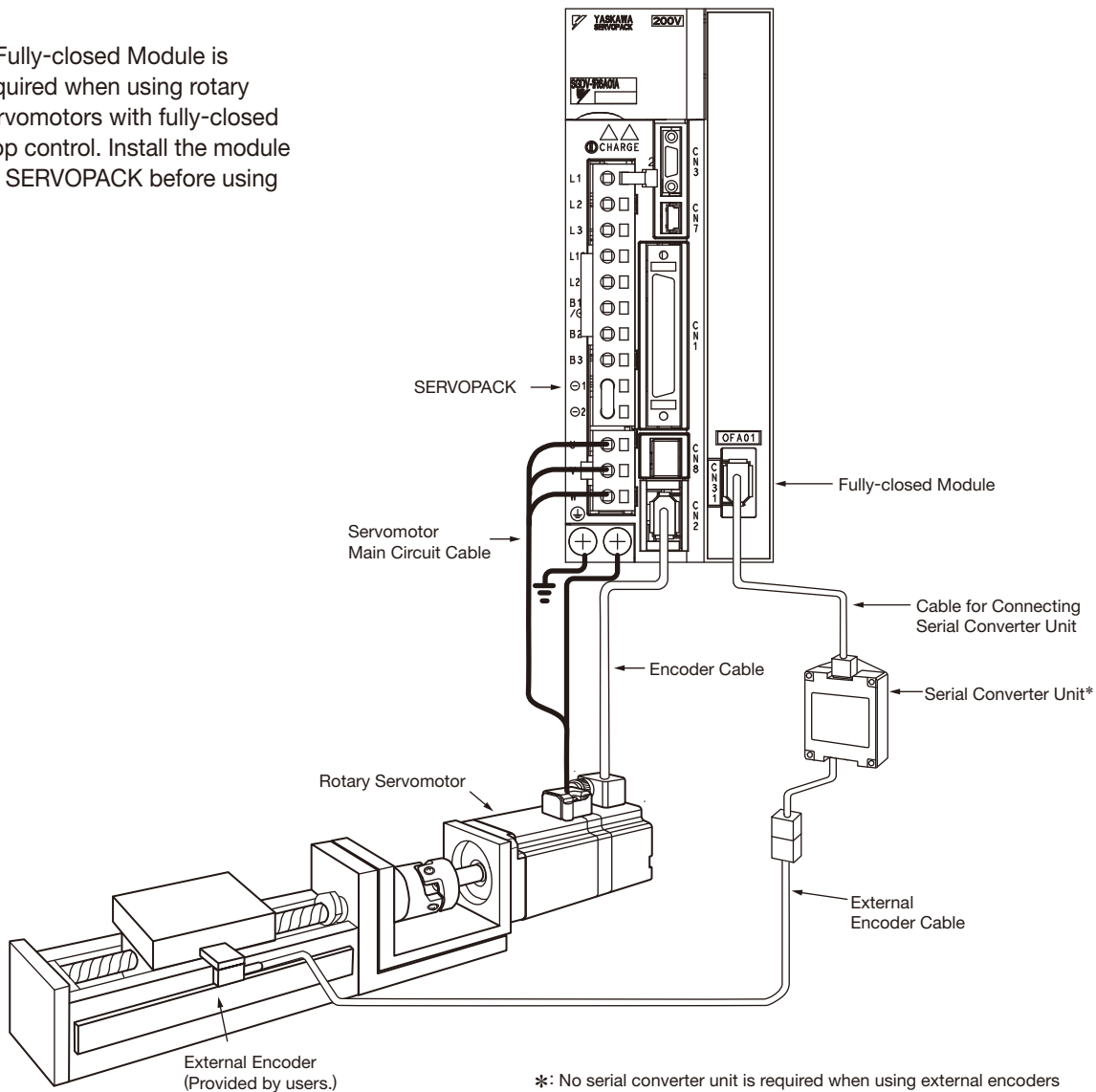
SGDV □□□□□ **1** □□□□□□□□□□□ **1**
 (Model number for SERVOPACK and module set)

SGDV-OFA01A
 (Model number for module only)



System Configurations

A Fully-closed Module is required when using rotary servomotors with fully-closed loop control. Install the module on SERVOPACK before using it.



*: No serial converter unit is required when using external encoders manufactured by Magnescale Co., Ltd. or Mitutoyo Corporation.

Features

- High-precision and high-response positioning with using position feedback from a detector (such as an external encoder) installed on the machine.
- High resolution with external encoders (linear scales)

● System Configuration for Fully-closed Loop Control

Name		Model	Ref. Page	
SERVOPACK+Fully-closed Module (Set)		SGDV-□□□□□1 □□□□□□□□□1	Page 382	
Individual Unit (Sold separately)	Fully-closed Module	SGDV-OFA01A	Page 382	
	Option Case Kit	SGDV-OZA01A Note: One option case kit is required for each SERVOPACK.		
	SERVOPACK Analog Voltage/Pulse Train Reference	SGDV-□□□□□01	Page 268	
	MECHATROLINK-II Communications Reference	SGDV-□□□□□11	Page 280	
	MECHATROLINK-III Communications Reference	SGDV-□□□□□21	Page 290	
	INDEXER Module-Mounted	SGDV-□□□□□E1A□□□□□□□100	Page 300	
Rotary Servomotor	SGMMV model	SGMMV-A□A□□□□□	Page 4	
	SGMJV model	SGMJV-□□□□□□□□	Page 24	
	SGMAV model	SGMAV-□□□□□□□□	Page 46	
	SGMPS model	SGMPS-□□□□□□□□	Page 70	
	SGMGV model	SGMGV-□□□□□□□□	Page 94	
	SGMSV model	SGMSV-□□□□□□□□	Page 116	
Cable	Servomotor Main Circuit Cable	Refer to the page called <i>Selecting Cables</i> in the each rotary servomotor's chapter in this catalog.		
	Encoder Cable			
Linear Scale*				
1Vp-p Analog Voltage	Serial Converter Units	Manufactured by HEIDENHAIN Corporation	JZDP-D003-000-E	Page 384 to 386
		Manufactured by Renishaw plc	JZSP-D005-000-E	
External Encoders That Support Yaskawa's Serial Interface	Open Type	Manufactured by Magnescale Co., Ltd.	SR□5, SR□7, RU77	Page 387
		Manufactured by Mitutoyo Corporation	ST78□A□	
	Manufactured by HEIDENHAIN Corporation	LIC4100 series		
	Sealed Type	Manufactured by Magnescale Co., Ltd.	SL7□0	

*: Refer to *Recommended Linear Scales* on page M-17.

Model Designations

● Model Number for SERVOPACK and Module Set

When ordering a SERVOPACK with a Fully-closed Module, use the following model number:

S G D V*¹ R70 A 01 B 000 00 0 001

Σ-V Series
SGDV
SERVOPACK

1st+2nd+3rd digits

4th digit

5th+6th digits

7th digit

8th+9th+10th digits

11th+12th digits

13th digit

14th+15th+16th digits

1st+2nd+3rd digits Current

Voltage	Code	Applicable Servomotor Max. Capacity kW
Single-phase 100 V	R70	0.05
	R90	0.1
	2R1	0.2
	2R8	0.4
Three-phase 200 V	R70* ²	0.05
	R90* ²	0.1
	1R6* ²	0.2
	2R8* ²	0.4
	3R8	0.5
	5R5* ²	0.75
	7R6	1.0
	120* ³	1.5
	180	2.0
	200	3.0
	330	5.0
	470	6.0
	550	7.5
	590	11
780	15	
Three-phase 400 V	1R9	0.5
	3R5	1.0
	5R4	1.5
	8R4	2.0
	120	3.0
	170	5.0
	210	6.0
	260	7.5
	280	11
	370	15

4th digit Power Supply Voltage

Code	Specifications
F	Single-phase 100 VAC
A	Three-phase 200 VAC
D	Three-phase 400 VAC

5th+6th digits Interface

Code	Specifications
01* ⁴	Analog voltage/pulse train reference (For rotary servomotors)
11* ⁴	MECHATROLINK- II Communications Reference (For rotary servomotors)
21* ⁴	MECHATROLINK- III Communications Reference (For rotary servomotors)
E1* ⁵	Command Option Attachable Type (For rotary servomotors)

7th digit Design Revision Order

A, B...

Design revision order is B for the following models.

- SGDVR70A□□□B
- SGDVR90A□□□B
- SGDV1R6A□□□B
- SGDV2R8A□□□B

*1: The model number of a SERVOPACK with option modules is not hyphenated after SGDV.

*2: These amplifiers can be powered with single or three-phase.

*3: Single-phase 200 VAC SERVOPACKs are also available. (Model: SGDV120A□1A008000)

*4: Be sure to enter "001" for the 14, 15, and 16th digits (option module).

*5: Be sure to enter "101" for the 14, 15, and 16th digits (option module).

*6: SERVOPACKs of 6 kW or more are duct-ventilated.

*7: Without any dynamic brake. For 400 VAC models, an external dynamic brake can be installed.

Note: Contact your Yaskawa representative for information on combining options.

8th+9th+10th digits Options (hardware)

Code	Specifications
000	Base-mounted (standard)
001	Rack-mounted* ⁶
002	Varnished
003	Rack-mounted* ⁶ and Varnished
008	Single-phase 200 VAC input (model: SGDV120A□1A008000)
020	Dynamic brake (DB)* ⁷

11th+12th digits Options (software)

Code	Specifications
00	Standard

13th digit Options (parameter)

Code	Specifications
0	Standard

14th+15th+16th digits Option Modules

Code	Specifications
001	Fully-closed Module
101	Fully-closed Module + INDEXER Module

● Model Number for Module Only

When ordering a SERVOPACK and a Fully-closed Module separately, use the following Fully-closed Module model number.

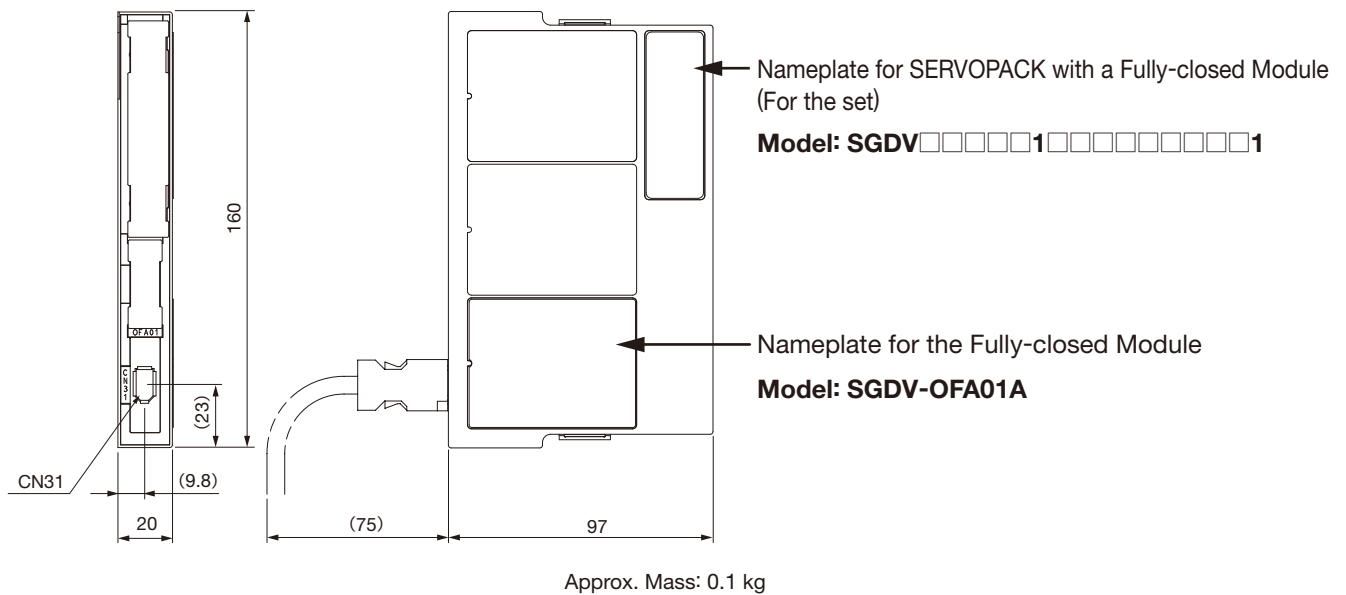
SGDV-OFA01A

Fully-closed Module

Specifications

Items	Specifications		
Operating Conditions	Ambient Temperature	0 to +55°C	
	Storage Temperature	-20 to +85°C	
	Ambient Humidity	90% RH or less	With no freezing or condensation
	Storage Humidity	90% RH or less	
	Vibration Resistance	4.9 m/s ²	
	Shock Resistance	19.6 m/s ²	
	Protection Class	IP10	An environment that satisfies the following conditions. · Free of corrosive or flammable gases · Free of exposure to water, oil, or chemicals · Free of dust, salts, or iron dust
	Pollution Degree	2	
	Altitude	1000 m or less	
	Others	Do not use SERVOPACKs in the following locations: · Locations subject to static electricity noise, strong electromagnetic/magnetic fields, radioactivity	

External Dimensions Units: mm



AC

Fully-closed Module

· Connector

Port	Model	Pin	Manufacturer
CN31	53984-0671	6	Molex Japan LLC

Note: The connectors above or their equivalents are used for SERVOPACKs.

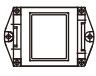
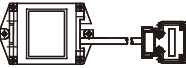
· Encoder signal name and function (CN31)

Signal	Pin	Function
PG5V	1	Encoder power supply +5 V
PG0V	2	Encoder power supply 0 V
-	3	-
-	4	-
PS	5	Serial data (+)
/PS	6	Serial data (-)
Shield	Shell	Encoder power supply 0 V

Serial Converter Units

● Model Designations

JZDP - D00□ - 000 - E

Serial Converter Unit Model			
Code	Appearance	Applicable External Encoder	Hall Sensor
D003		Manufactured by HEIDENHAIN Corporation	None
D005		Manufactured by Renishaw plc.	None

Note: Using the serial converter unit JZDP-A□□□ with SGD V SERVOPACK will void our guarantee.

● Characteristics and Specifications

Items	JZDP-D00□-000-E	
Electrical Characteristics	Power Supply Voltage	+5.0 V±5%, ripple content 5% max.
	Current Consumption*1	120 mA typ. 350 mA max.
	Signal Resolution	Input two-phase sine wave: 1/256 pitch
	Max. Response Frequency	250 kHz
	Analog Input Signals*2 (cos, sin, Ref)	Differential input amplitude: 0.4 to 1.2 V Input signal level: 1.5 to 3.5 V
	Output Signal*3	Position data, alarms
	Output Method	Serial data communications
Mechanical Characteristics	Output Circuit	Balanced type transceiver (SN75LBC176 or the equivalent), internal terminating resistor: 120 Ω
	Approx. Mass	150 g
	Vibration Resistance	98 m/s ² max. (10 to 2500 Hz) in three directions
Environmental Conditions	Impact Resistance	980 m/s ² , (11 ms) two times in three directions
	Surrounding Air Temperature	0 to 55°C
	Storage Temperature	-20 to +80°C
Humidity	20% to 90%RH (no condensation)	

*1: The current consumption of the linear scale and hall sensor is not included in this value. The current consumption of linear scale and hall sensor must be taken into consideration for the current capacity of host controller that supplies the power. The current consumption of hall sensor: Approx. 40 mA.

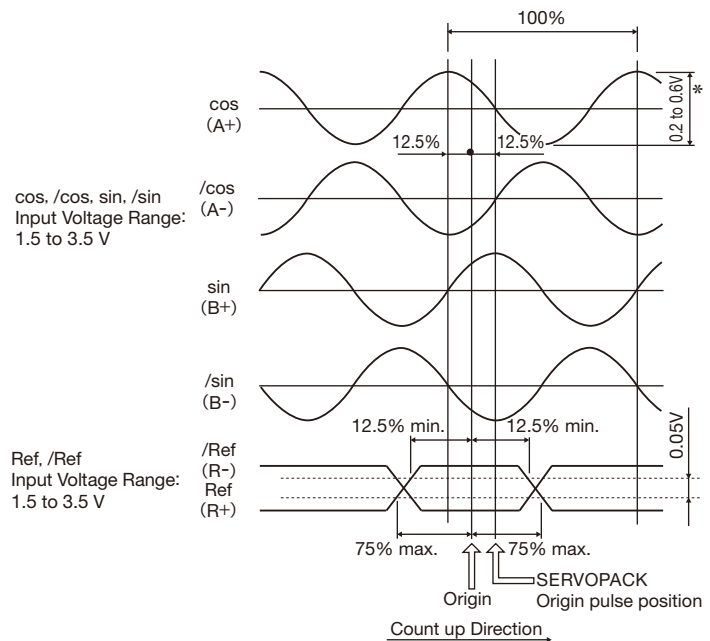
*2: Input a value within the specified range. Otherwise, incorrect position information is output, and the device may be damaged.

*3: The transmission is enabled 100 to 300 ms after the power turns on.

● Analog Signal Input Timing

The following figure shows the input timing of the analog signals. When the cos and sin signals are shifted 180 degrees, the differential signals are the /cos and /sin signals.

The specifications of the cos, /cos, sin, and /sin signals are identical to the phase. Ref and /Ref signals are input to the converter. Input the signals by taking into account hysteresis of the receiving circuit so that the signals will satisfy the specifications shown in the figure on the right. When they are crossed, the output data will be counted up.



*: If the analog signal amplitude declines to about 0.35 V because of differential amplitude, the serial converter outputs an alarm.

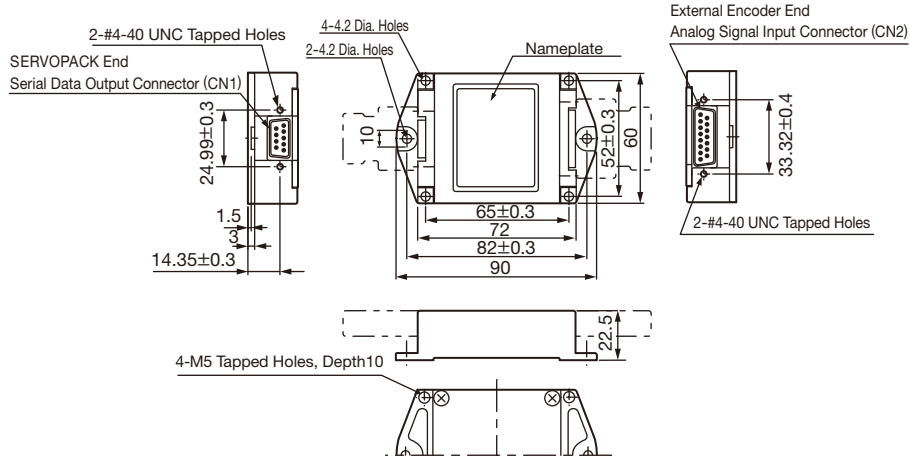
IMPORTANT

■ Precautions

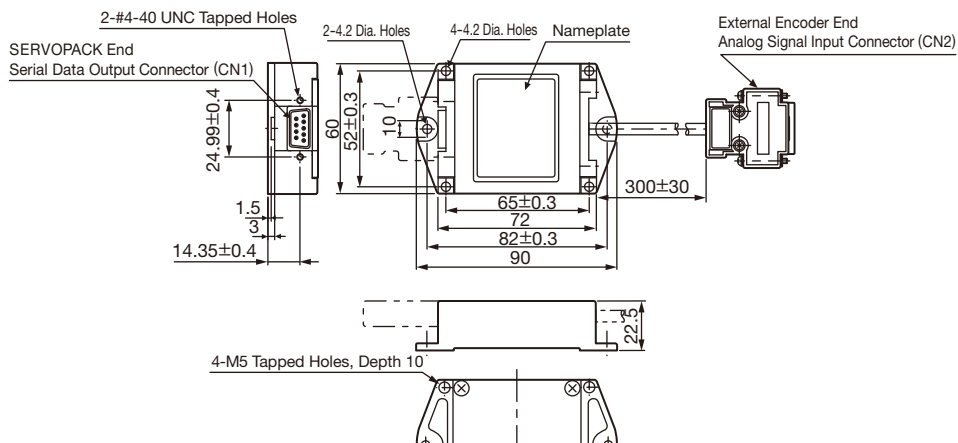
- 1 Never perform insulation resistance and withstand voltage tests.
- 2 When analog signals are input to the serial converter unit, noise influence on the analog signals affects the unit's ability to output correct position information. The analog cable must be as short as possible and shielded.
- 3 Do not connect or disconnect the unit while power is being supplied, or the unit may be damaged.
- 4 When using multiple axes, use a shield cable for each axis. Do not use a shield cable for multiple axes.
- 5 When using the serial converter unit with linear encoders other than recommended encoders, be sure to thoroughly evaluate them before use.

Serial Converter Units● **External Dimensions** (Units: mm)

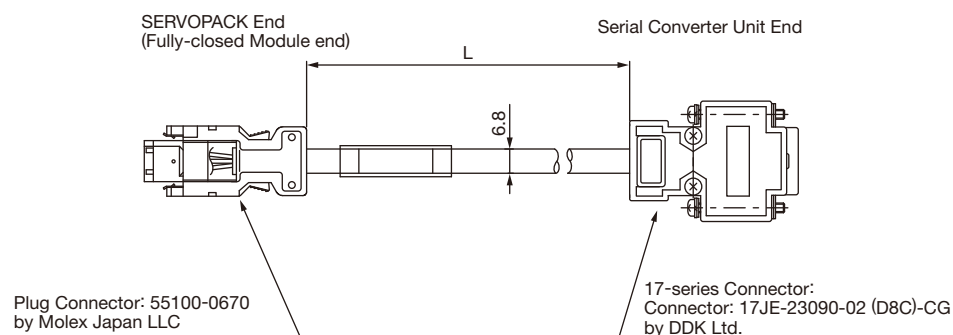
(1) Model: JZDP-D003-000-E



(2) Model: JZDP-D005-000-E

● **Connection Cables**· **Recommended Cables**

Name	Application	Model	Length
Cable for Connecting Serial Converter Unit	Between the CN31 connector for SERVOPACK with the Fully-closed Module and the serial converter unit.	JZSP-CLP70-03-E	3 m
		JZSP-CLP70-05-E	5 m
		JZSP-CLP70-10-E	10 m
		JZSP-CLP70-15-E	15 m
		JZSP-CLP70-20-E	20 m

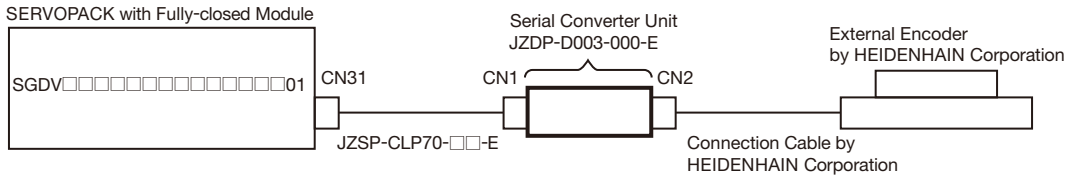
● **External Dimensions** (Units: mm)

Serial Converter Units

● Connection Examples

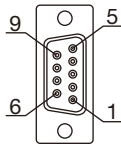
(1) Connection Example with External Encoder by HEIDENHAIN Corporation

· Model: JZDP-D003-000-E



Pin No.	Signal
1	+5V
2	Phase S output
3	Not used
4	Not used
5	0V
6	Phase /S output
7	Not used
8	Not used
9	Not used
Case	Shield

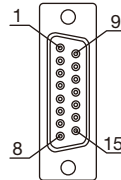
CN1
SERVOPACK End
Serial Data Output



17-series Connector:
17LE-13090-27-FA
(Socket) by DDK Ltd.

Pin No.	Signal
1	cos input (A+)
2	0V
3	sin input (B+)
4	+5V
5	Not used
6	Not used
7	/Ref input (R-)
8	Not used
9	/cos input (A-)
10	0V sensor
11	/sin input (B-)
12	5V sensor
13	Not used
14	Ref input (R+)
15	Not used
Case	Shield

CN2
External Encoder End
Analog Signal Input



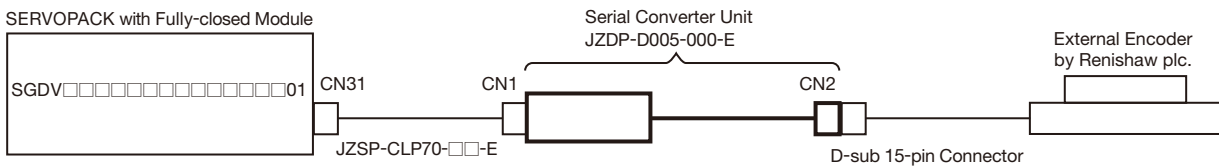
17-series Connector:
17LE-13150-27-FA
(Socket) by DDK Ltd.

Notes: 1 Do not use the unused pins.

2 The external encoder (analog 1 Vp-p output, D-sub 15-pin) by HEIDENHAIN Corporation can be directly connected.

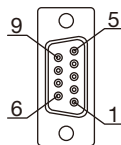
(2) Connection Example with External Encoder by Renishaw plc.

· Model: JZDP-D005-000-E



Pin No.	Signal
1	+5V
2	Phase S output
3	Not used
4	Not used
5	0V
6	Phase /S output
7	Not used
8	Not used
9	Not used
Case	Shield

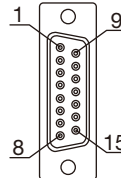
CN1
SERVOPACK End
Serial Data Output



17-series Connector:
17LE-13090-27-FA
(Socket) by DDK Ltd.

Pin No.	Signal
1	/cos input (V1-)
2	/sin input (V2-)
3	Ref input (V0+)
4	+5V
5	5Vs
6	Not used
7	Not used
8	Not used
9	cos input (V1+)
10	sin input (V2+)
11	/Ref input (V0-)
12	0V
13	0Vs
14	Not used
15	Inner (0V)
Case	Shield

CN2
External Encoder End
Analog Signal Input



17-series Connector:
17JE-13150-02 (D8C) A-CG
(Socket) by DDK Ltd.

SERVOPACK does not have the function to process Vq signals.

Notes: 1 Do not use the unused pins.

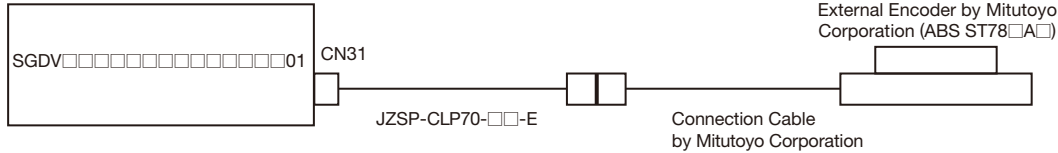
2 The external encoder (analog 1 Vp-p output, D-sub 15-pin) by Renishaw plc. can be directly connected. However, the BID and DIR signals are not connected.

3 Use the external encoder-end connector to change the home position specifications of the external encoder.

External Encoders That Support Yaskawa's Serial Interface**● Connection Examples****(1) Connection Example with External Encoder by Mitutoyo Corporation (Model: ABS ST78□A□)**

When using this external encoders, serial converter units are not required.

SERVOPACK with Fully-closed Module

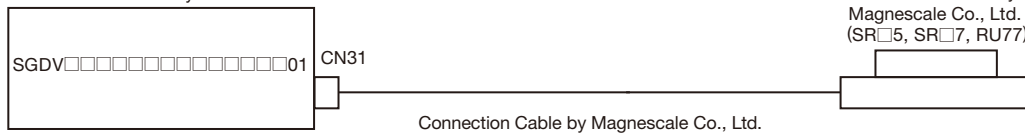
**(2) Connection Example with External Encoders by Magnescale Co., Ltd. (Model: SR□5, SR□7*1, RU77*2)**

When using this external encoders, serial converter units are not required.

*1 : External absolute encoder

*2 : External single-turn absolute encoder

SERVOPACK with Fully-closed Module

**• Cables**

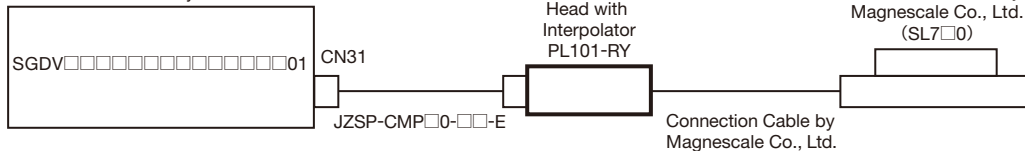
To connect a SERVOPACK and a linear scale, use a cable (Model no.: CH33-xx□□□G) for SR□5 or SR□7 linear scales by Magnescale Co., Ltd. This cable has connectors designed for use with Yaskawa products.

To connect a SERVOPACK and a rotary scale, use an extension cable for RU77 linear scales in the CE28 series by Magnescale Co., Ltd.

(3) Connection Example with External Encoders by Magnescale Co., Ltd. (Model: SL7□0)

When using this external encoders, serial converter units are not required.

SERVOPACK with Fully-closed Module

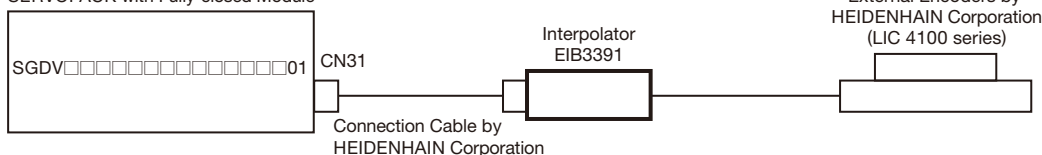
**• Cables**

Name	Length (L)	Order No.		Specifications
		Standard Type	Flexible Type	
Cable with Connectors (For Incremental and Absolute Encoder)	3 m	JZSP-CMP00-03-E	JZSP-CMP10-03-E	
	5 m	JZSP-CMP00-05-E	JZSP-CMP10-05-E	
	10 m	JZSP-CMP00-10-E	JZSP-CMP10-10-E	
	15 m	JZSP-CMP00-15-E	JZSP-CMP10-15-E	
	20 m	JZSP-CMP00-20-E	JZSP-CMP10-20-E	

(4) Connection Example with External Encoders by HEIDENHAIN Corporation (Model: LIC 4100 series and EIB3391)

When using this external encoders, serial converter units are not required.

SERVOPACK with Fully-closed Module



Safety Module

SGDV **1**
 (Model number for SERVOPACK and module set)

SGDV-OSA01A
 (Model number for module only)



Applicable Standards and Functions

Compliance with Safety Standards

Safety Standards	Applicable Standards	Products	
		SERVOPACK	SERVOPACK + Safety Module
Safety of Machinery	EN ISO13849-1:2015 IEC 60204-1	○	○
Functional Safety	IEC 61508 Series IEC 62061 IEC 61800-5-2	○	○
EMC	IEC 61326-3-1	○	○

With Functions Defined by IEC61800-5-2

By using the Hard Wire BaseBlock function (HWBB) of SERVOPACKs, the following four safety functions can be achieved.

Safety Function	Description	Products	
		SERVOPACK	SERVOPACK + Safety Module
Safe BaseBlock Function (SBB function)	This safety function is equivalent to the STO function. It shuts OFF the power supply to the motor.	○	○
Safe BaseBlock with Delay Function (SBB-D function)	This safety function is equivalent to the SS1 function. It shuts OFF the power supply to the motor after monitoring the deceleration of the motor for the specified length of time.	—	○
Safe Position Monitor with Delay Function (SPM-D function)	This safety function is equivalent to the SS2 function. It monitors the deceleration of the motor for the specified length of time and the position after the motor has stopped.	—	○
Safely Limit Speed with Delay Function (SLS-D function)	This safety function is equivalent to the SLS function. It monitors the deceleration of the motor for the specified length of time and the motor speed to make sure it is within the allowable range.	—	○

Features

The Safety Module complies with EN ISO13849-1 (the standards harmonized with EU Machinery Directive 2006/42/EC) and has safety functions equivalent to those stipulated in IEC 61800-5-2. By using the module in combination with SGD V SERVOPACKs, optimum safety designs can be created for mechanical systems to better meet the needs of the industry.

- The first product for AC servo drives in Japan that has safety functions equivalent to the following ones stipulated in the international standard IEC61800-5-2. Optimum safety designs for mechanical systems can be easily created.
 - Safe Torque Off (STO)
 - Safe Stop 1 (SS1)
 - Safe Stop 2 (SS2)
 - Safely-Limited Speed (SLS)
- Two safety functions (A and B) are provided and stopping functions can be allocated individually to these safety functions. Settings, including the setting for monitoring time, can be changed by using the safety-related module parameters.
- With the attachable Safety Modules for SERVOPACKs, system configurations are simplified and compact.

System Configurations

● System Configuration When Using the Safety Module

Name		Model	Ref. Page	
SERVOPACK+Safety Module (Set)		SGDV□□□□□□□□□□□□□□□□1□	Page 390	
Individual Unit (Sold separately)	SERVOPACK			
	Analog Voltage/Pulse Train Reference	SGDV-□□□□0□□	Page 268	
	MECHATROLINK-II Communications Reference	SGDV-□□□□1□□	Page 280	
	MECHATROLINK-III Communications Reference	SGDV-□□□□2□□	Page 290	
	Command Option Attachable Type	SGDV-□□□□E□A	Page 312	
	Safety Module	SGDV-OSA01A	Page 390	
	Option Case Kit	SGDV-OZA01A Note: One option case kit is required for each SERVOPACK.		
Rotary Servomotor	SGMJV model	SGMJV-□□□□□□□□	Page 24	
	SGMAV model	SGMAV-□□□□□□□□	Page 46	
	SGMPS model	SGMPS-□□□□□□□□	Page 70	
	SGMGV model	SGMGV-□□□□□□□□	Page 94	
	SGMSV model	SGMSV-□□□□□□□□	Page 116	
	SGMCS model	SGMCS-□□□□□□□□	Page 144	
	SGMCM model	SGMCM-□□□□□□□□	Page 164	
	Cable	Servomotor Main Circuit Cable Encoder Cable	Refer to Selecting Cables in this catalog for details of cables for individual models of rotary servomotors.	
Linear Servomotors	SGLGW model	SGLGW-□□□□□□□□□□	Page 178	
	SGLFW model	SGLFW-□□□□□□□□□□	Page 198	
	SGLTW model	SGLTW-□□□□□□□□□□	Page 218	
	Cable	Linear Servomotor Main Circuit Cable Cable for Connecting Linear Scales Cable for Connecting Serial Converter Unit Cable for Connecting Hall Sensor	Refer to Selecting Cables in this catalog for details of cables for individual models of linear servomotors.	
	Serial Converter Units	For encoders by Heidenhain Corporation	JZDP-D003-□□□□-E, JZDP-D006-□□□□-E	Page 246 to Page 251
JZDP-G003-□□□□-E, JZDP-G006-□□□□-E				
JZDP-D005-□□□□-E, JZDP-D008-□□□□-E				
For encoders by Renishaw Plc.		JZDP-G005-□□□□-E, JZDP-G008-□□□□-E		
		Cable	Cable for Connecting Serial Converter Unit	

Notes: 1 A SERVOPACK with a Safety Module can only be connected to the above encoders that use serial converter units.

2 The following option modules cannot be used with SERVOPACKs with a Safety Module.

- Fully-closed module
- INDEXER option module
- DeviceNet module

Model Designations

● Model Number for SERVOPACK and Module Set

When ordering a SERVOPACK with a Safety Module premounted, use the following model number.

S G D V*¹ R70 A 01 B 000 00 0 010

Σ-V Series
SGDV
SERVOPACK

1st+2nd+3rd digits

4th digit

5th+6th digits

7th digit

8th+9th+10th digits

11th+12th digits

13th digit

14th+15th+16th digits

1st+2nd+3rd digits Current

Voltage	Code	Applicable Servomotor Max. Capacity kW
Single-phase 100 V	R70	0.05
	R90	0.1
	2R1	0.2
	2R8	0.4
Three-phase 200 V	R70* ²	0.05
	R90* ²	0.1
	1R6* ²	0.2
	2R8* ²	0.4
	3R8	0.5
	5R5* ²	0.75
	7R6	1.0
	120* ³	1.5
	180	2.0
	200	3.0
	330	5.0
	470	6.0
	550	7.5
	590	11
780	15	
Three-phase 400 V	1R9	0.5
	3R5	1.0
	5R4	1.5
	8R4	2.0
	120	3.0
	170	5.0
	210	6.0
	260	7.5
	280	11
	370	15

4th digit Power Supply Voltage

Code	Specifications
F	Single-phase 100 VAC
A	Three-phase 200 VAC
D	Three-phase 400 VAC

5th+6th digits Interface*⁶

Code	Specifications
01	Analog voltage/pulse train reference (For rotary servomotors)
05	Analog voltage/pulse train reference (For linear servomotors)
11	MECHATROLINK-II Communications Reference (For rotary servomotors)
15	MECHATROLINK-II Communications Reference (For linear servomotors)
21	MECHATROLINK-III Communications Reference (For rotary servomotors)
25	MECHATROLINK-III Communications Reference (For linear servomotors)

7th digit Design Revision Order

A, B...

Design revision order is B for the following models.

- SGDVR70A□□□B
- SGDVR90A□□□B
- SGDV1R6A□□□B
- SGDV2R8A□□□B

- *1: The model number of a SERVOPACK with option modules is not hyphenated after SGD.
 - *2: These SERVOPACKs can be powered with single or three-phase.
 - *3: Single-phase 200 VAC SERVOPACKs are also available. (Model: SGDV120A□1A008000)
 - *4: SERVOPACKs of 6 kW or more are duct-ventilated.
 - *5: Without any dynamic brake. For 400 VAC models, an external dynamic brake can be installed.
 - *6: Only devices compatible with the Safety Module are listed here.
- Note: Contact your Yaskawa representative for information on combining options.

8th+9th+10th digits Options (hardware)

Code	Specifications
000	Base-mounted (standard)
001	Rack-mounted* ⁴
002	Varnished
003	Rack-mounted* ⁴ and Varnished
008	Single-phase 200 VAC input (model: SGDV120A□1A008000)
020	Dynamic brake (DB)* ⁵

11th+12th digits Options (software)

Code	Specifications
00	Standard

13th digit Options (parameter)

Code	Specifications
0	Standard

14th+15th+16th digits Option Modules

Code	Specifications
010	Safety Module

● Model Number for Module Only

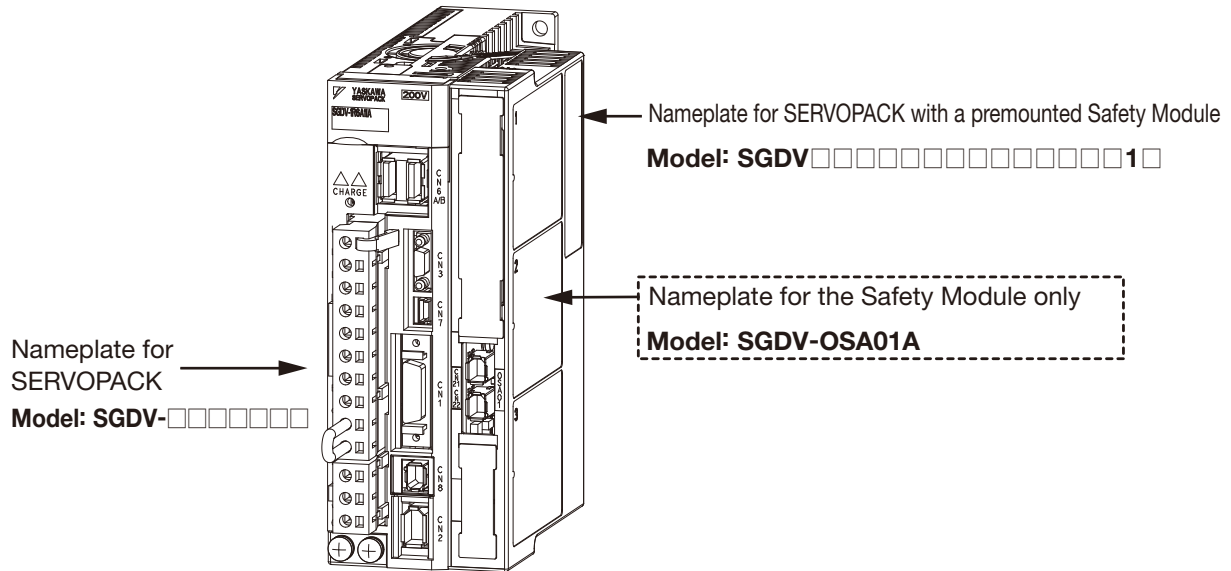
When ordering a Safety Module only, use the following model number for the Safety Module.

SGDV-OZA01A

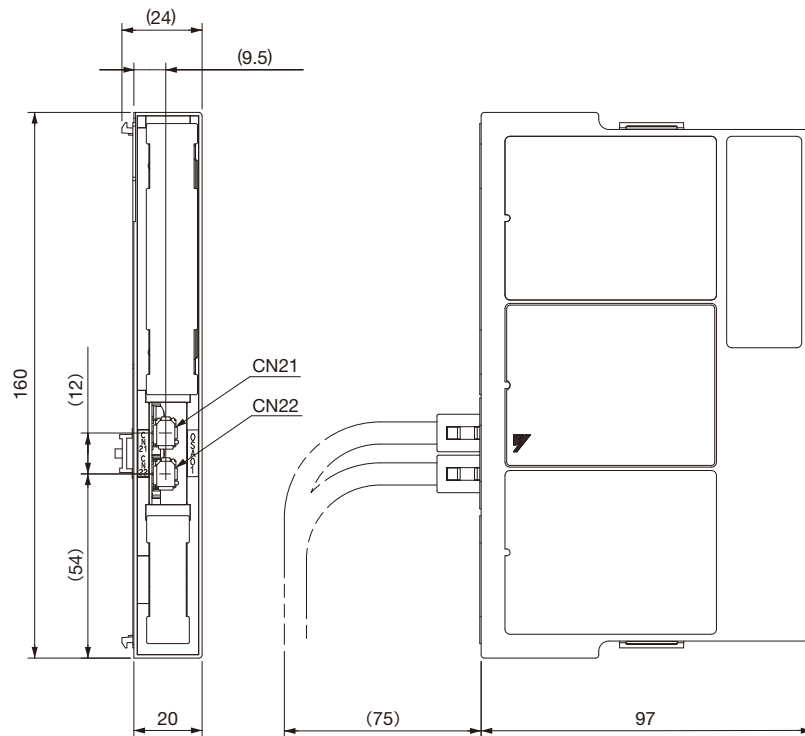
IMPORTANT One option case kit is required for each SERVOPACK.
Option case kit model: SGDV-OZA01A

Safety Module

Nameplate



External Dimensions Units: mm



Approx. Mass: 0.11 kg

Connector

Port	Model	Pin	Manufacturer
CN21	1981080-1	8	Tyco Electronics Japan G.K.
CN22	1981080-1	8	Tyco Electronics Japan G.K.

Notes: 1 The connectors above or their equivalents are used for SERVOPACKs.

2 Refer to the user's manual of the Safety Module for information on installation standards.

AC

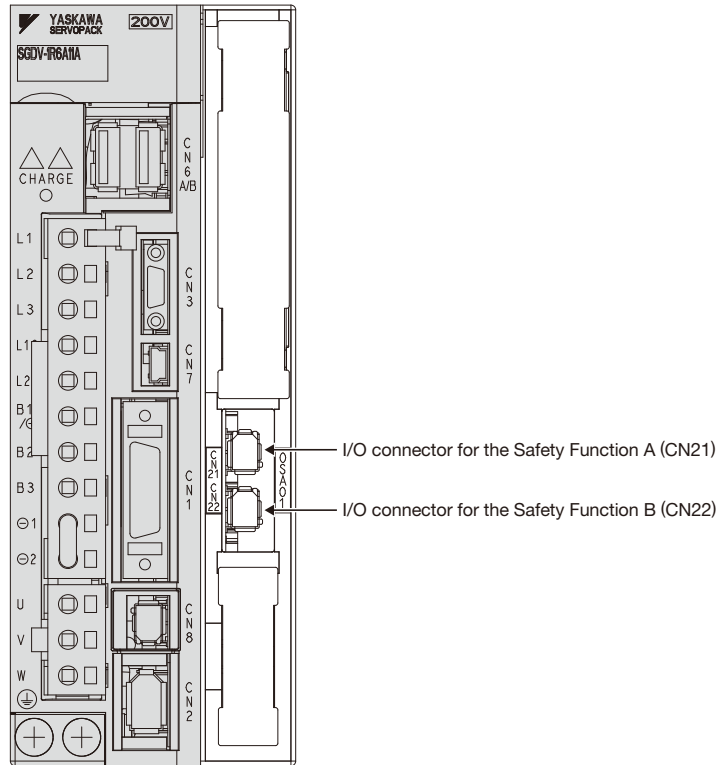
Safety Module

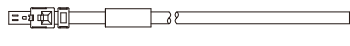
Specifications

Items		Specifications		
Operating Conditions	Ambient Temperature	0 to +55°C		
	Storage Temperature	−20 to +85°C		
	Ambient Humidity	90% RH or less	With no freezing or condensation	
	Storage Humidity	90% RH or less		
	Vibration Resistance	4.9 m/s ²		
	Shock Resistance	19.6 m/s ²		
	Protection Class	IP10	An environment that satisfies the following conditions. · Free of corrosive or flammable gases · Free of exposure to water, oil, or chemicals · Free of dust, salts, or iron dust	
	Pollution Degree	2		
	Altitude	1000 m or less		
	Others	Do not use SERVOPACKs in the following locations: · Locations subject to static electricity noise, strong electromagnetic/magnetic fields, radioactivity		
Compliance with North American Safety Standards, European Directives, and Safety Standards (SERVOPACK + Safety Module)				
North American Safety Standards		UL61800-5-1 CSA C22.2 No.274		
European Directives	Machinery Directive (2006/42/EC)	EN ISO 13849-1: 2015		
	EMC Directive (2014/30/EU)	EN 55011/A2 group 1, class A EN 61000-6-2 EN 61000-6-4 EN 61800-3 (Category C2, Second Environment)		
	Low Voltage Directive (2014/35/EU)	EN 50178 EN 61800-5-1		
	RoHS Directive (2011/65/EU)	EN 50581		
Safety Standards	Safety of Machinery	EN ISO 13849-1: 2015 IEC 60204-1		
	Functional Safety	IEC 61508 series IEC 62061 IEC 61800-5-2		
	EMC Directive	IEC 61326-3-1		
Safety Function		IEC 61800-5-2	IEC 60204-1	
		Safe Torque Off (STO)	Stop Category 0	
		Safe Stop 1 (SS1)	Stop Category 1	
		Safe Stop 2 (SS2)	Stop Category 2	
		Safely-Limited Speed (SLS)		
	Number of Function	2		
Safety Function A	Input signal: Two channels (redundant signals), output signal: one channel			
Safety Function B	Input signal: Two channels (redundant signals), output signal: one channel			
Safe Performance				
	Safety Integrity Level	SIL2, SILCL2		
	Probability of Dangerous Failure per Hour	PFH = 8.0×10 ⁻⁹ [1/h] (SBB) PFH = 3.4×10 ⁻⁸ [1/h] (SBB-D, SPM-D, SLS-D)		
	Performance Level	PLd (Category 2)		
	Mean Time to Dangerous Failure of Each Channel	MTTFd: High		
	Average Diagnostic Coverage	DCavg: Medium		
	Proof Test Interval	10 years		

Selecting Cables

● **CN21** **CN22** Cable for Safety Function Device



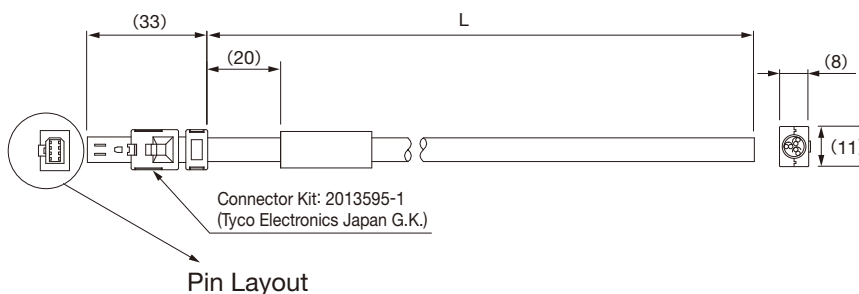
Name	Length	Order No.	Specifications	Details	
CN21 CN22 Cable for Safety Function Device	Cable with Connector*1	1 m	JZSP-CVH03-01-E		(1)
		3 m	JZSP-CVH03-03-E		
	Connector Kit*2	Contact Tyco Electronics Japan G.K. Product name: Industrial Mini I/O D-shape Type1 Plug Connector Kit Model: 2013595-1			

*1: When using the safety function, connect this cable to the safety devices.

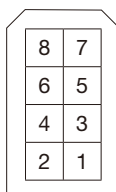
*2: Use the connector kit when you make cables yourself.

(1) Cable with Connector for CN21 and CN22

· External Dimensions (Units: mm)



Pin Layout



· Specifications

Pin No.	Signal	Lead Color	Marking Color
1	Not used	—	—
2	Not used	—	—
3	/SRI-□1-	White	Black
4	/SRI-□1+	White	Red
5	/SRI-□2-	Gray	Black
6	/SRI-□2+	Gray	Red
7	EDM-□-	Orange	Black
8	EDM-□+	Orange	Red

Note: The signal name varies in accordance with the connector used.

Connector CN21: □=A

Connector CN22: □=B

Model	Cable Length (L)
JZSP-CVH03-01-E	1 m
JZSP-CVH03-03-E	3 m

Analog Voltage Reference SERVOPACKs Pulse Train Reference SERVOPACKs

SGDV- ES1

(Analog Voltage Reference)

SGDV- EP1

(Pulse Train Reference)



Model Designations

S G D V - 2R9 E S1 A 000 00 0

Σ-V Series
SGDV
SERVOPACKs
with DC Power Input

1st+2nd+3rd digits

4th digit

5th+6th digits

7th digit

8th+9th+10th digits

11th+12th digits

13th digit

1st+2nd+3rd digits Current

Voltage	Code	Applicable Servomotor Max. Capacity kW
24 VDC/	1R7	0.011
48 VDC	2R9	0.030

4th digit Power Supply Voltage

Code	Specifications
E	48 VDC*

5th+6th digits Interface

Code	Specifications
S1	Analog Voltage Reference (For Rotary Servomotors)
P1	Pulse Train Reference (For Rotary Servomotors)

7th digit Design Revision Order

A, B...

8th+9th+10th digits Options (hardware)

Code	Specifications
000	Encoder output pulse: Line driver (Standard)

11th+12th digits Options (software)

Code	Specifications
00	Standard

13th digit Options (parameter)

Code	Specifications
0	Standard

*: Either a 24-VDC or a 48-VDC power supply can be used for the main circuit. The control power supply must be 24 VDC.
Note: If the option codes digits 8 to 13 are all zeros, they are omitted.

Features

- **Compact design**

With compact SERVOPACKS using less space, you can make effective use of limited space and make controller panels and systems smaller.

- **Applications with DC power**

These compact, high-performance SERVOPACKS can be powered by batteries so they can improve the performance of battery-operated equipment for handling & transfer systems, such as robots used in clean rooms and automated guided vehicles (AGVs). Two different power supplies provide power for the control circuit and for the main circuit. Troubleshooting can be performed by shutting off the power to the main circuit if any alarm occurs.

Either a 24-VDC or 48-VDC power supply can be used for the main circuit. Use of a 48-VDC power supply can improve the torque-motor speed characteristics (For the control circuit, only a 24-VDC power supply can be used). Degree to which the characteristics can be improved depends on which motor is used. For details on torque-motor speed characteristics, refer to *Torque-Motor Speed Characteristics* on page 6.

- **Improved usability with state-of-the-art technology**

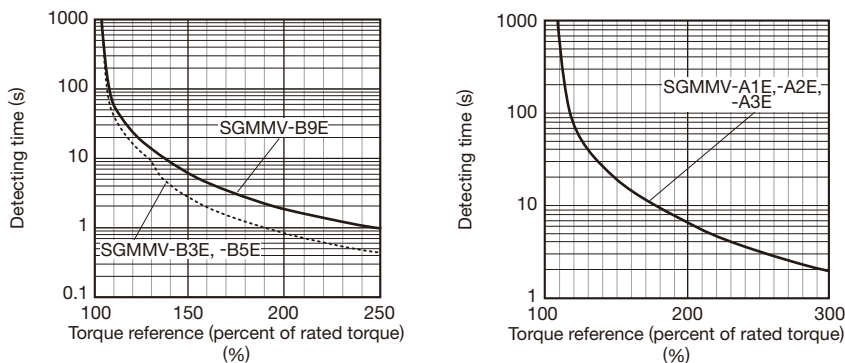
New advanced autotuning lets you adjust your system quickly for best performance. A wide variety of functions are provided: the model follow-up control function that reduces positioning time, the vibration suppression function that suppresses vibration of machines, friction compensation function that can exert its ability in applications with load fluctuations, and the new tuning-less function most suitable for systems that require a long startup time or that involve a large load fluctuation.

Ratings

SERVOPACK Model SGD□-□□□□	1R7E		2R9E	
Applicable Servomotor Max. Capacity kW	0.011		0.030	
Continuous Output Current Arms	1.7		2.9	
Max. Output Current Arms	4.1		8.6	
Regenerative Resistors	None			
Main Circuit*	24 VDC±15%	48 VDC±15%	24 VDC±15%	48 VDC±15%
Control Circuit	24 VDC±15%			

*: Either a 24-VDC or a 48-VDC power supply can be used for the main circuit. When a 24-VDC power supply is used, the torque-motor speed characteristics for a 48 VDC cannot be achieved. For details, refer to *Torque-Motor Speed Characteristics* on page 6.

- **SERVOPACK Overload Characteristics**



Note: Overload characteristics shown above do not guarantee continuous duty of 100% or more output. Use a servomotor with effective torque within the continuous duty zone of *Torque-Motor Speed Characteristics*.

DC

Analog Voltage and Pulse Train Reference
SERVOPACKS

Specifications

Items		Specifications		
Control Method		PWM control, sine-wave driven		
Feedback		Serial encoder: 17-bit (incremental/absolute)		
Operating Conditions	Ambient Temperature	0 to +55°C		
	Storage Temperature	-20 to +85°C		
	Ambient Humidity	90%RH or less	With no freezing or condensation	
	Storage Humidity	90%RH or less		
	Vibration Resistance	4.9 m/s ²		
	Shock Resistance	19.6 m/s ²		
	Protection Class	IP10	An environment that satisfies the following conditions. <ul style="list-style-type: none"> Free of corrosive or flammable gases Free of exposure to water, oil, or chemicals Free of dust, salts, or iron dust 	
	Pollution Degree	2		
	Altitude	1000 m or less		
Others	Do not use SERVOPACKs in the following locations: <ul style="list-style-type: none"> Locations subject to static electricity noise, strong electromagnetic/magnetic fields, radioactivity 			
Applicable Standards		Refer to <i>International Standards</i> on page 454.		
Mounting		Base-mounted		
Performance	Speed Control Range		1:5000 (The lower limit of the speed control range must be lower than the point at which the rated torque does not cause the servomotor to stop.)	
	Speed Regulation*1	Load Fluctuation	0% to 100% load: ±0.01% max. (at rated speed)	
		Voltage Fluctuation	Rated voltage: ±10% : 0% (at rated speed)	
		Temperature Fluctuation	25±25°C : ±0.1% max. (at rated speed)	
	Torque Control Tolerance (Repeatability)		±1%	
Soft Start Time Setting		0 to 10 s (can be set individually for acceleration and deceleration.)		
I/O Signal	Encoder Output Pulses		Phase A, phase B, phase C: line driver output The number of dividing pulse: Any setting ratio is available.*2	
	Sequence Input	Input Signals which can be allocated	Number of Channels	7 channels
			Functions	<ul style="list-style-type: none"> Servo ON (/S-ON) Control selection (/C-SEL) Proportional control (/P-CON) SEN signal (/SEN) Forward run prohibited (P-OT), reverse run prohibited (N-OT) Zero clamping (/ZCLAMP) Reference pulse inhibit (/INHIBIT) Alarm reset (/ALM-RST) Gain selection (/G-SEL) Forward external torque limit (/P-CL), reverse external torque limit (/N-CL) Reference pulse input multiplication switching (/PSEL) Internal set speed selection (/SPD-D, /SPD-A, /SPD-B) Positive and negative logic can be changed.
	Sequence Output	Output Signals which can be allocated	Fixed Output	Servo alarm (ALM)
Number of Channels			3 channels	
Functions	<ul style="list-style-type: none"> Positioning completion (/COIN) Brake (/BK) Speed coincidence detection (/V-CMP) Warning (WARN) Rotation detection (/TGON) Near (/NEAR) Servo ready (/S-RDY) Reference pulse input multiplication switching output (/PSELA) Torque limit detection (/CLT) Speed limit detection (/VLT) Positive and negative logic can be changed.			

*1: Speed regulation by load regulation is defined as follows:

$$\text{Speed regulation} = \frac{\text{No-load motor speed} - \text{Total load motor speed}}{\text{Rated motor speed}} \times 100\%$$

(Cont'd)

*2: For details, refer to 5.3.7 *Setting Encoder Output Pulse* in the AC Servo Drives DC Power Input Σ -V Series *USER'S MANUAL Design and Maintenance* (manual no. SIJP S800000 81).

Specifications

Items		Specifications			
Communications	Digital Operator	Compatible with the digital operator for Σ -V SERVOPACKs (Model: JUSP-OP05A-1-E). The digital operator must be connected with the SERVOPACK via the analog monitor unit (Model: JUSP-PC001-E) or the digital operator's relay cable (Model: JZSP-CF1S00-A3-E).			
	Computer (USB)	Compatible with SigmaWin+. Compliant with the USB1.1 standard (12 Mbps)			
Display		Servo alarm (ALM): red; servo ready (RDY): green			
Analog Monitor		Number of points: 2 Output voltage: ± 10 VDC (linearity effective range: ± 8 V) Output through the analog monitor unit (model: JUSP-PC001-E)			
Dynamic Brake (DB)		Not available			
Regenerative Processing		Not available			
Overtravelling (OT) Prevention		Decelerate to a stop or coast to a stop when overtraveling is detected and an overtravel signal (P-OT or N-OT) is input.			
Protective Functions		Overcurrent, Overvoltage, low voltage, overload, etc.			
Utility Functions		Gain adjustment, alarm history, JOG operation, origin search, etc.			
Analog Voltage Reference	Speed Control	Soft Start Time Setting		0 to 10 s (can be set individually for acceleration and deceleration.)	
		Input Signals	Reference Voltage	<ul style="list-style-type: none"> Max. input voltage: ± 12 V (forward speed reference with positive reference) Factory setting: 6 VDC at rated speed (Input gain setting can be changed.) 	
			Input Impedance	About 14 k Ω	
	Circuit Time Constant		30 μ s		
	Internal Set Speed Control	Rotation Direction Selection	With P control signal		
		Speed Selection	With forward/reverse external torque limit signal (speed 1 to 3 selection). Servomotor stops or another control method is used when both are OFF.		
	Torque Control	Input Signals	Reference Voltage	<ul style="list-style-type: none"> Max. input voltage: ± 12 V (forward torque reference with positive reference) Factory setting: 3 VDC at rated torque (Input gain setting can be changed.) 	
			Input Impedance	About 14 k Ω	
			Circuit Time Constant	16 μ s	
	Pulse Train Reference	Feedforward Compensation		0 to 100%	
Positioning Completed Width Setting		0 to 1073741824 reference units			
Position Control		Input Signals	Reference Pulse	Type	Select one of them: Sign + pulse train, CW + CCW pulse train, or two-phase pulse train with 90° phase differential
				Form	For line driver, open collector
			Max. Input Pulse Frequency*	Line driver	<ul style="list-style-type: none"> Sign + pulse train, CW + CCW pulse train: 4 Mpps Two-phase pulse train with 90° phase differential: 1 Mpps
				Open Collector	<ul style="list-style-type: none"> Sign + pulse train, CW + CCW pulse train: 200 kpps Two-phase pulse train with 90° phase differential: 200 kpps
			Reference pulse input multiplication switching	1 to 100 times	
Clear Signal		Position error clear For line driver, open collector			

*: If the maximum reference frequency exceeds 1 Mpps, use a shielded cable for I/O signals and ground both ends of the shield. Connect the shield at the SERVOPACK to the connector shell.

Power Supply Capacities and Power Losses

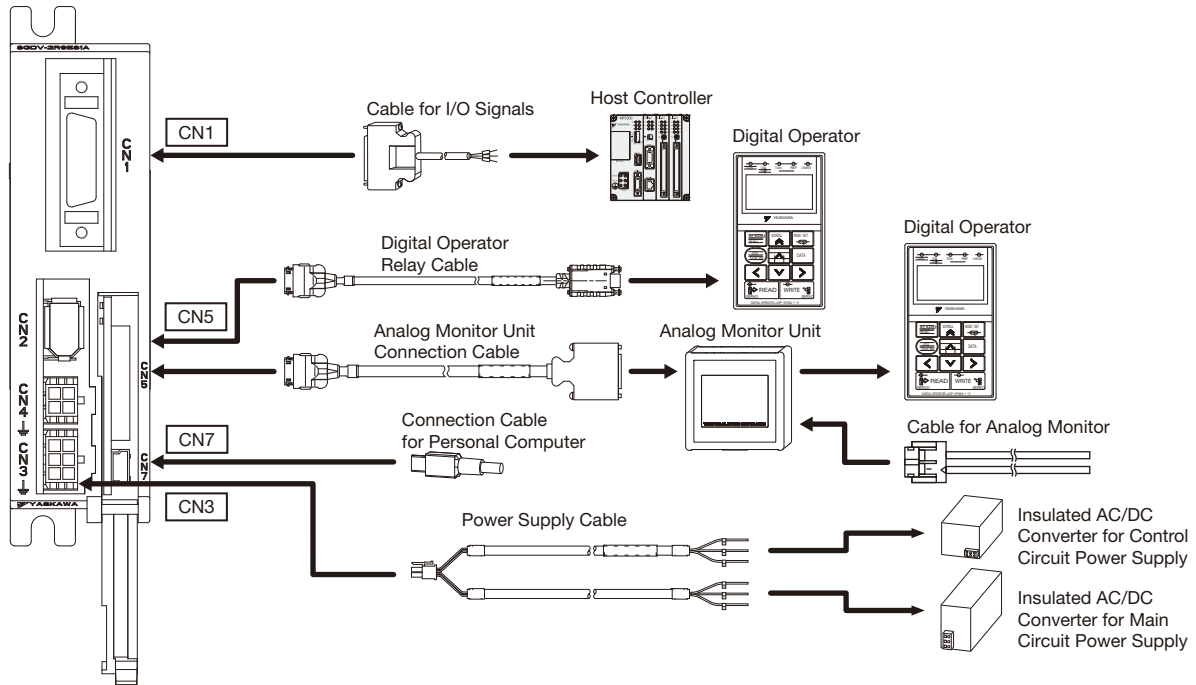
The following table shows SERVOPACK's power supply capacities and power losses at the rated output.



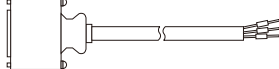
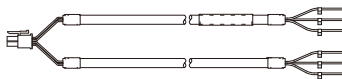


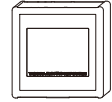


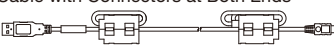
Main Circuit Power Supply	Applicable Servomotor Max. Capacity W	SERVOPACK Model SGDV-	Main Circuit Power Supply Capacity per SERVOPACK W	Output Current Arms	Main Circuit Power Loss W	Regenerative Resistor Power Loss W	Control Circuit Power Loss W	Total Power Loss W
24 VDC	11	1R7E	108	1.7	3.4	-	7.2	10.6
	30	2R9E	165	2.9	6.9			14.1
48 VDC	11	1R7E	169	1.7	3.4	-	7.2	10.6
	30	2R9E	411	2.9	6.9			14.1

Note: These power supply capacities are net values at instantaneous maximum loads.

Selecting Cables

● Cables for **CN1** **CN3** **CN5** **CN7** (Analog Voltage Reference/Pulse Train Reference SERVOPACKs)



Name	Length	Order No.	Specifications	Details	
CN1 Cables for I/O Signals	Connector Kit	JZSP-CSI9-2-E	Soldered 	(1)	
	Connector Terminal Converter Unit	0.5 m	JZSP-TA26P-E	Terminal Block and Connection Cable 	(2)
		1 m	JZSP-TA26P-1-E		
		2 m	JZSP-TA26P-2-E		
	Cable with Loose wire at One End	1 m	JZSP-CSI02-1-E		(3)
		2 m	JZSP-CSI02-2-E		
3 m		JZSP-CSI02-3-E			
CN3 Power Supply Cables	Cable with Loose wire at One End	1 m	JZSP-CF1G00-01-E	SERVOPACK End Power Supply End 	(4)
		2 m	JZSP-CF1G00-02-E		
		3 m	JZSP-CF1G00-03-E		
		4 m	JZSP-CF1G00-04-E		
		5 m	JZSP-CF1G00-05-E		
		6 m	JZSP-CF1G00-06-E		
		7 m	JZSP-CF1G00-07-E		
		8 m	JZSP-CF1G00-08-E		
		9 m	JZSP-CF1G00-09-E		
		10 m	JZSP-CF1G00-10-E		
CN5 Cables for Digital Operator/Analog Monitor Unit	Digital Operator	JZSP-OP05A-1-E	With Connection Cable (1 m) 	(5)	
	Digital Operator Relay Cable	0.3 m	JZSP-CF1S00-A3-E	SERVOPACK End Digital Operator End 	(6)
	Analog Monitor Unit		JZSP-PC001-E		(7)
	Analog Monitor Unit Connection Cable	0.3 m	JZSP-CF1S05-A3-E	SERVOPACK End Analog Monitor Unit End 	(8)
	Cables for Analog Monitor	1 m	JZSP-CA01-E	Analog Monitor Unit End 	(9)
CN7 Connection Cables for Personal Computer	2.5 m	JZSP-CVS06-02-E	Cable with Connectors at Both Ends 	(10)	

DC

Analog Voltage and Pulse Train Reference
 SERVOPACKs

Selecting Cables

(1) Connector Kit for CN1

Use the following connector and cable to assemble the cable.
The CN1 connector kit includes one case and one connector.

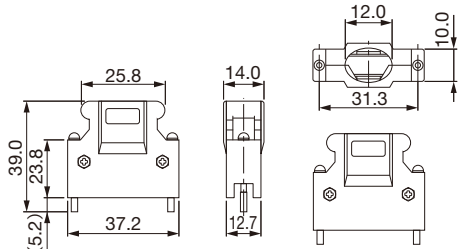
Connector Kit Model	Case		Connector	
	Model	Qty	Model	Qty
JZSP-CSI9-2-E	10326-52A0-008*	1 set	10126-3000PE* (Soldered)	1

* : Manufactured by 3M Japan Ltd.

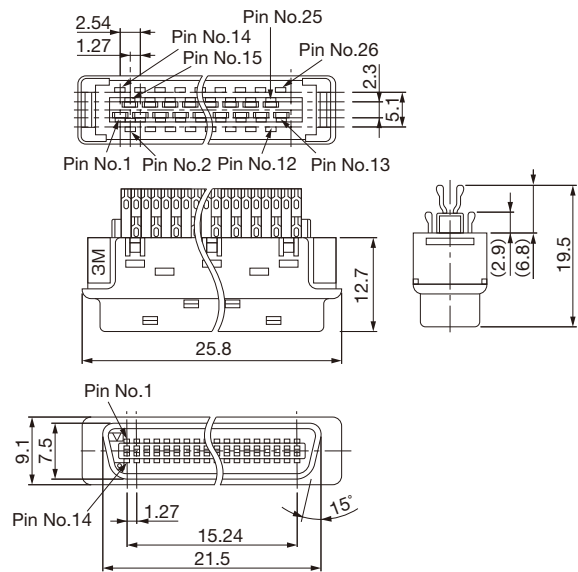
• Cable Size

Item	Specifications
Cable	Use twisted-pair or twisted-pair shielded wire.
Applicable Wires	AWG24, 26, 28, 30
Cable Finished Diameter	16 dia. max.

• External Dimensions of Case (Units: mm)

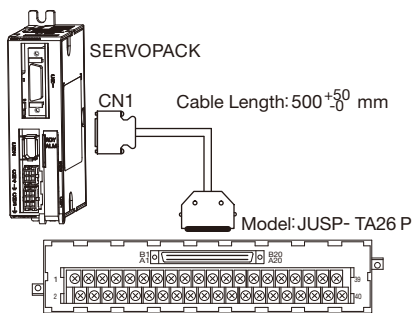


• External Dimensions of Connector (Units: mm)

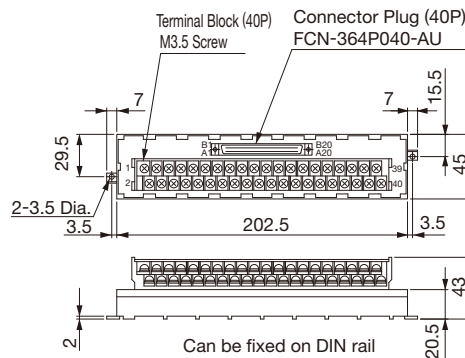


(2) Connector Terminal Converter Unit for CN1

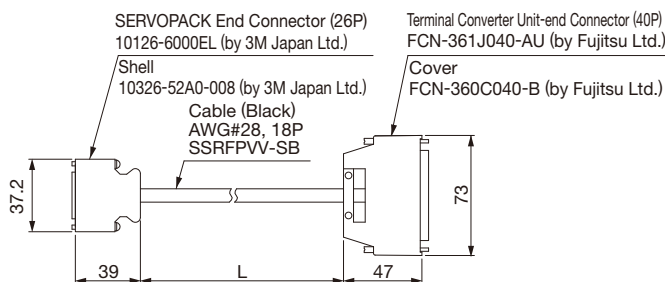
• Configurations



• External Dimensions of Terminal Block (Units: mm)



• External Dimensions of Cable (Units: mm)



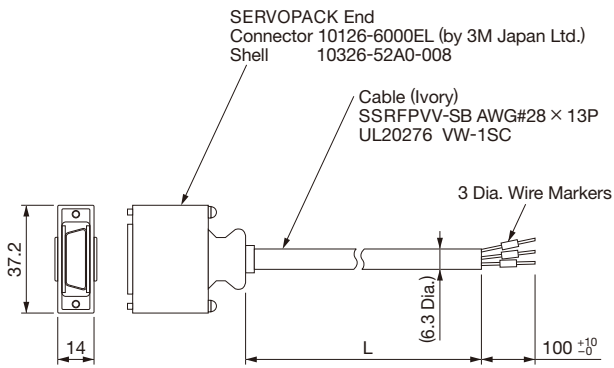
Model	Cable Length (L)	Approx. Mass
JUSP-TA26P-E	0.5 m	100 g
JUSP-TA26P-1-E	1 m	200 g
JUSP-TA26P-2-E	2 m	400 g

Note: The pin number in the SERVOPACK connector and the pin number in the terminal block are the same. Pin numbers 1 to 26 are used in the terminal block. Do not use a pin number of 27 or higher.
If assembling cables, refer to ● Cable with Loose Wires at One End for CN1 Connection Diagram of JZSP-CSI02-□-E Cable on the next page.

Selecting Cables

(3) Cable with Loose Wires at One End for CN1

· External Dimensions (Units: mm)



Model	Cable Length
JZSP-CSI02-1-E	1 m
JZSP-CSI02-2-E	2 m
JZSP-CSI02-3-E	3 m

● Cable with Loose Wires at One End for CN1

Connection Diagram of JZSP-CSI02-□-E Cable

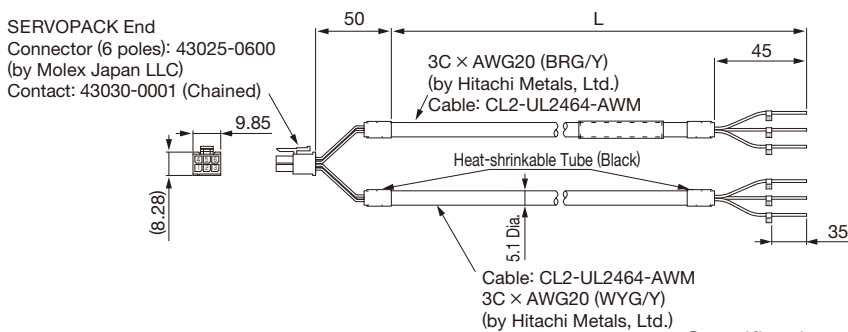
Pin No.	Signal		Wire Color	Marking		Host Controller End Lead Marker
	Analog Voltage Reference	Pulse Train Reference		Color	Dots	
1	V-REF	PULS	Blue	Red	1	1
2	SG	/PULS	Blue	Black	1	2
3	T-REF	SIGN	Pink	Red	1	3
4	SG	/SIGN	Pink	Black	1	4
5	-	CLR	Green	Red	1	5
6	-	/CLR	Green	Black	1	6
7	/V-CMP	/COIN	Orange	Red	1	7
8	ALM		Orange	Black	1	8
9	/TGON		Gray	Red	1	9
10	/S-RDY		Gray	Black	1	10
11	COM_SG		Blue	Red	2	11
12	/N-CL		Blue	Black	2	12
13	SG		Pink	Red	2	13
14	+24VIN		Green	Red	2	14
15	/S-ON		Green	Black	2	15
16	/P-CON		Pink	Black	2	16
17	P-OT		Orange	Red	2	17
18	N-OT		Orange	Black	2	18
19	PAO		Gray	Red	2	19
20	/PAO		Gray	Black	2	20
21	PBO		Blue	Red	3	21
22	/PBO		Blue	Black	3	22
23	PCO		Pink	Red	3	23
24	/PCO		Pink	Black	3	24
25	/ALM-RST		Green	Red	3	25
26	/P-CL		Green	Black	3	26

∩ Represents twisted-pair wires.

(4) Cable with Loose Wires at One End for CN3

(Model: JZSP-CF1G00-□□-E)

· External Dimensions (Units: mm)



· Specifications

Model	Cable Length
JZSP-CF1G00-01-E	1 m
JZSP-CF1G00-02-E	2 m
JZSP-CF1G00-03-E	3 m
JZSP-CF1G00-04-E	4 m
JZSP-CF1G00-05-E	5 m
JZSP-CF1G00-06-E	6 m
JZSP-CF1G00-07-E	7 m
JZSP-CF1G00-08-E	8 m
JZSP-CF1G00-09-E	9 m
JZSP-CF1G00-10-E	10 m

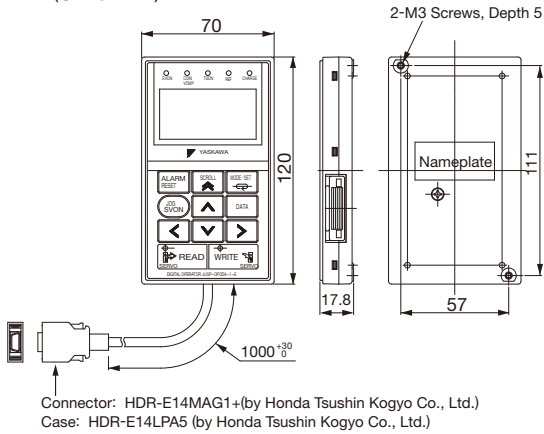
Pin No.	Cable Color	Signal
1	Green/yellow	FG
2	Green/yellow	FG
3	Blue	L2
4	White	C2
5	Yellow	C1
6	Red	L1

DC

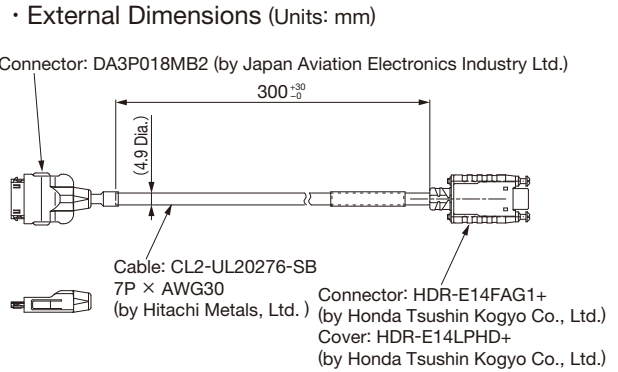
Analog Voltage and Pulse Train Reference
 SERVOPACKs

Selecting Cables

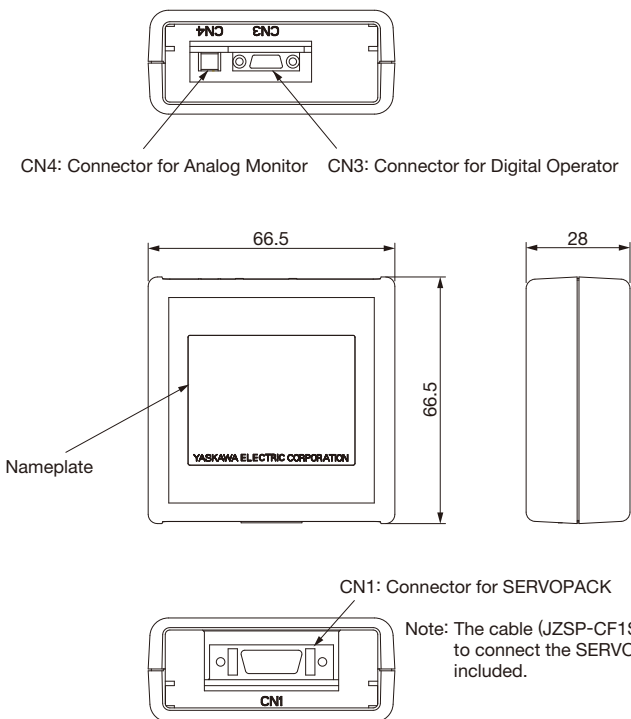
(5) Digital Operator (Model: JUSP-OP05A-1-E) (Units: mm)



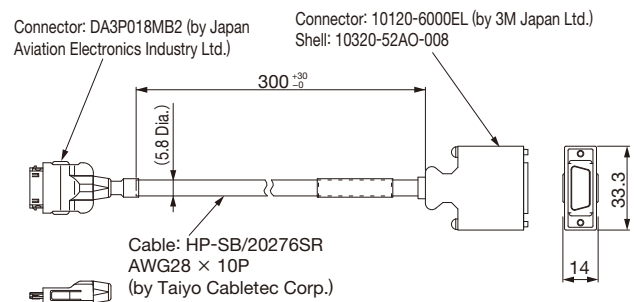
(6) Digital Operator Relay Cable for CN5 (Model: JZSP-CF1S00-A3-E)



(7) Analog Monitor Unit (Model: JUSP-PC001-E) • External Dimensions (Units: mm)



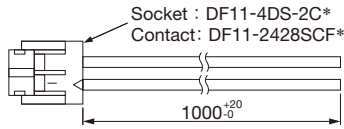
(8) Analog Monitor Unit Connection Cable for CN5 (Model: JZSP-CF1S05-A3-E) • External Dimensions (Units: mm)



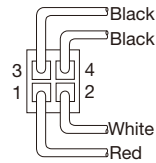
Selecting Cables

(9) Analog Monitor Unit Cable for CN4 (Model: JZSP-CA01-E)

- External Dimensions (Units: mm)



* : Manufactured by Hirose Electric Corporation.



View from Cable End

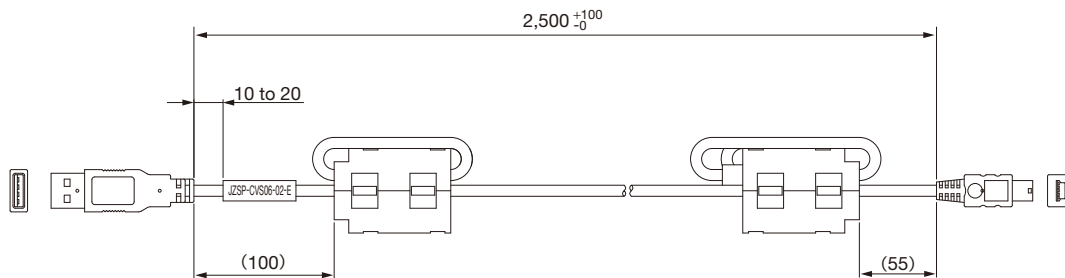
- Specifications

Pin No.	Cable Color	Signal	Standard Settings
1	Red	Analog Monitor 2	Motor speed : 1V/1000 min ⁻¹
2	White	Analog Monitor 1	Torque reference : 1V/100% rated torque
3, 4	Black (2 cables)	GND(0V)	—

Note : The specifications above are factory settings. Monitor specifications can be changed by changing parameters Pn006 and Pn007.

(10) Connection Cable for Personal Computer for CN7 (Model: JZSP-CVS06-02-E)

- External Dimensions (Units: mm)



IMPORTANT

Use a cable specified by Yaskawa.
 When using other cables, operation cannot be guaranteed.

MECHATROLINK-II Communications Reference SERVOPACKs

SGDV-□□□E11 (For Rotary Servomotors)



Model Designations

S G D V - 2R9 E 11 A 000 00 0

Σ-V Series
SGDV
SERVOPACKs
with DC Power Input

1st+2nd+3rd digits

4th digit

5th+6th digits

7th digit

8th+9th+10th digits

11th+12th digits

13th digit

1st+2nd+3rd digits Current

Voltage	Code	Applicable Servomotor Max. Capacity kW
24 VDC/	1R7	0.011
48 VDC	2R9	0.030

4th digit Power Supply Voltage

Code	Specifications
E	48 VDC*

5th+6th digits Interface

Code	Specifications
11	MECHATROLINK-II communications Reference (for rotary servomotors)

7th digit Design Revision Order

A, B...

8th+9th+10th digits Options (hardware)

Code	Specifications
000	Standard

11th+12th digits Options (software)

Code	Specifications
00	Standard

13th digit Options (parameter)

Code	Specifications
0	Standard

*: Either a 24-VDC or a 48-VDC power supply can be used for the main circuit. The control power supply must be 24 VDC.
Note: If the option codes digits 8 to 13 are all zeros, they are omitted.

Features

- **Real-time communications**

MECHATROLINK-II communications enable high-speed control for 30 stations at a maximum transmission speed of 10 Mbps in a transmission cycle from 250 μ s to 4 ms (set by the host controller). Such a high transmission speed allows real-time transmission of various data required for control.

- **Cost savings**

Thirty stations can be connected to a single MECHATROLINK-II transmission line, so wiring costs and time are greatly reduced. Also, only one signal connector is required on the host controller. And, the all-digital network eliminates the need for conversion from digital to analog for speed/torque references and for a pulse generator to generate position references.

- **High-precision motion control**

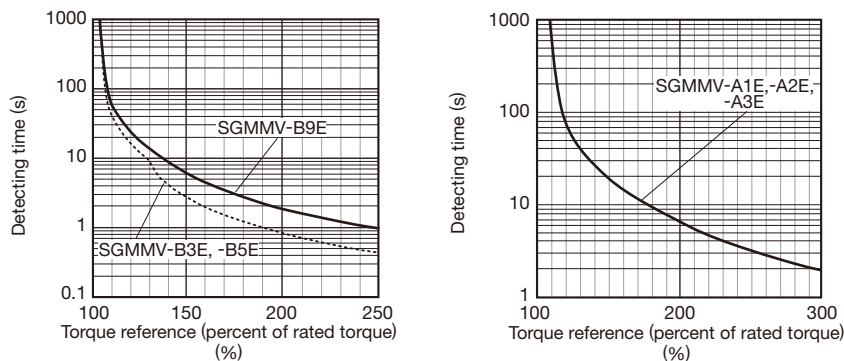
The SGD V SERVOPACK when connected to the host controller in the MECHATROLINK-II network provides not only torque, position, and speed control but also synchronized phase control that requires advanced control technology. The control mode can be changed online so that the machine can move smoothly in complex motions with great efficiency.

Ratings

SERVOPACK Model SGD V-	1R7E		2R9E	
Applicable Servomotor Max. Capacity kW	0.011		0.030	
Continuous Output Current Arms	1.7		2.9	
Max. Output Current Arms	4.1		8.6	
Regenerative Resistors	None			
Main Circuit*	24 VDC \pm 15%	48 VDC \pm 15%	24 VDC \pm 15%	48 VDC \pm 15%
Control Circuit	24 VDC \pm 15%			

*: Either a 24-VDC or a 48-VDC power supply can be used for the main circuit. When a 24-VDC power supply is used, the torque-motor speed characteristics for a 48 VDC cannot be achieved. For details, refer to *Torque-Motor Speed Characteristics* on page 6.

- **SERVOPACK Overload Characteristics**



Note: Overload characteristics shown above do not guarantee continuous duty of 100% or more output. Use a servomotor with effective torque within the continuous duty zone of *Torque-Motor Speed Characteristics*.

Specifications

Items		Specifications		
Control Method		PWM control, sine-wave driven		
Feedback		Serial encoder: 17-bit (incremental/absolute)		
Operating Conditions	Ambient Temperature	0 to +55°C		
	Storage Temperature	-20 to +85°C		
	Ambient Humidity	90%RH or less	With no freezing or condensation	
	Storage Humidity	90%RH or less		
	Vibration Resistance	4.9 m/s ²		
	Shock Resistance	19.6 m/s ²		
	Protection Class	IP10	An environment that satisfies the following conditions. <ul style="list-style-type: none"> Free of corrosive or flammable gases Free of exposure to water, oil, or chemicals Free of dust, salts, or iron dust 	
	Pollution Degree	2		
	Altitude	1000 m or less		
Others	Do not use SERVOPACKs in the following locations: <ul style="list-style-type: none"> Locations subject to static electricity noise, strong electromagnetic/magnetic fields, radioactivity 			
Applicable Standards		Refer to <i>International Standards</i> on page 454.		
Mounting		Base-mounted		
Performance	Speed Control Range		1 : 5000 (The lower limit of the speed control range must be lower than the point at which the rated torque does not cause the servomotor to stop.)	
	Speed Regulation*1	Load Fluctuation	0% to 100% load: ±0.01% max. (at rated speed)	
		Voltage Fluctuation	Rated voltage: ±10% : 0% (at rated speed)	
		Temperature Fluctuation	25±25°C : ±0.1% max. (at rated speed)	
	Torque Control Tolerance (Repeatability)		±1%	
Soft Start Time Setting*2		0 to 10 s (can be set individually for acceleration and deceleration.)		
I/O Signal	Sequence Input	Input Signals which can be allocated	Number of Channels	3 channels
			Functions	<ul style="list-style-type: none"> Homing deceleration switch signal (/DEC) External latch signals (/EXT 1) Forward run prohibited (P-OT), reverse run prohibited (N-OT) Forward external torque limit (/P-CL), reverse external torque limit (/N-CL) Positive and negative logic can be changed.
	Sequence Output	Output Signals which can be allocated	Fixed Output	Servo alarm (ALM)
			Number of Channels	3 channels
Functions	<ul style="list-style-type: none"> Positioning completion (/COIN) Speed limit detection (/VLT) Speed coincidence detection (/V-CMP) Brake (/BK) Rotation detection (/TGON) Warning (/WARN) Servo ready (/S-RDY) Near (/NEAR) Torque limit detection (/CLT) Positive and negative logic can be changed.			
Communications	Computer (USB)		Compatible with SigmaWin+. Compliant with the USB1.1 standard (12 Mbps)	
Display		Servo alarm (ALM): red; servo ready (RDY): green; communications(COM): green		
DIP Switches for MECHATROLINK-II Communication Settings		DIP switches: SW1 and SW2	Number of poles: 4/DIP switch (two DIP switches)*3	
Analog Monitor		Number of points: 2 Output voltage: ±10 VDC (linearity effective range: ±8 V) Output through the analog monitor unit (model: JUSP-PC001-E)		

*1: Speed regulation by load regulation is defined as follows:

$$\text{Speed regulation} = \frac{\text{No-load motor speed} - \text{Total load motor speed}}{\text{Rated motor speed}} \times 100\%$$

(Cont'd)

*2 : For information on soft start, refer to 4.2.10 *Velocity Control (VELCTRL: 3CH)* in the *AC Servo Drives Σ-V Series USER'S MANUAL MECHATROLINK Commands* (manual no. SIJP S800000 54).

*3 : For details, refer to 4.1.1 *Setting Switches SW1 and SW2* in the *AC Servo Drives DC Power Input Σ-V Series USER'S MANUAL Design and Maintenance* (manual no. SIJP S800000 82)

Specifications

Items	Specifications	
Dynamic Brake (DB)	Not available	
Regenerative Processing	Not available	
Overtravelling (OT) Prevention	Decelerate to a stop or coast to a stop when overtraveling is detected and an overtravel signal (P-OT or N-OT) is input.	
Protective Functions	Overcurrent, Overvoltage, low voltage, overload, etc.	
Utility Functions	Gain adjustment, alarm history, JOG operation, origin search, etc.	
MECHATROLINK-II Communications	Communications Protocol	MECHATROLINK-II
	Station Address	41H to 5FH (max. number of slaves: 30) Set station addresses with combinations of SW1 and SW2 settings.
	Transmission Speed	10 Mbps, 4 Mbps Set by using the SW2 DIP switch.
	Transmission Cycle	250 μ s or 0.5 ms to 4.0 ms (increments of 0.5 ms)
	Number of Transmission Bytes	Can be switched between 17 bytes /station and 32 bytes / station. Set by using the SW2 DIP switch.
Command Method	Performance	Position control, speed control, and torque control through MECHATROLINK-II communications
	Command Input	MECHATROLINK-II commands (for sequence, motion, data setting/reference, monitoring, adjustment, and other commands.)

Power Supply Capacities and Power Losses

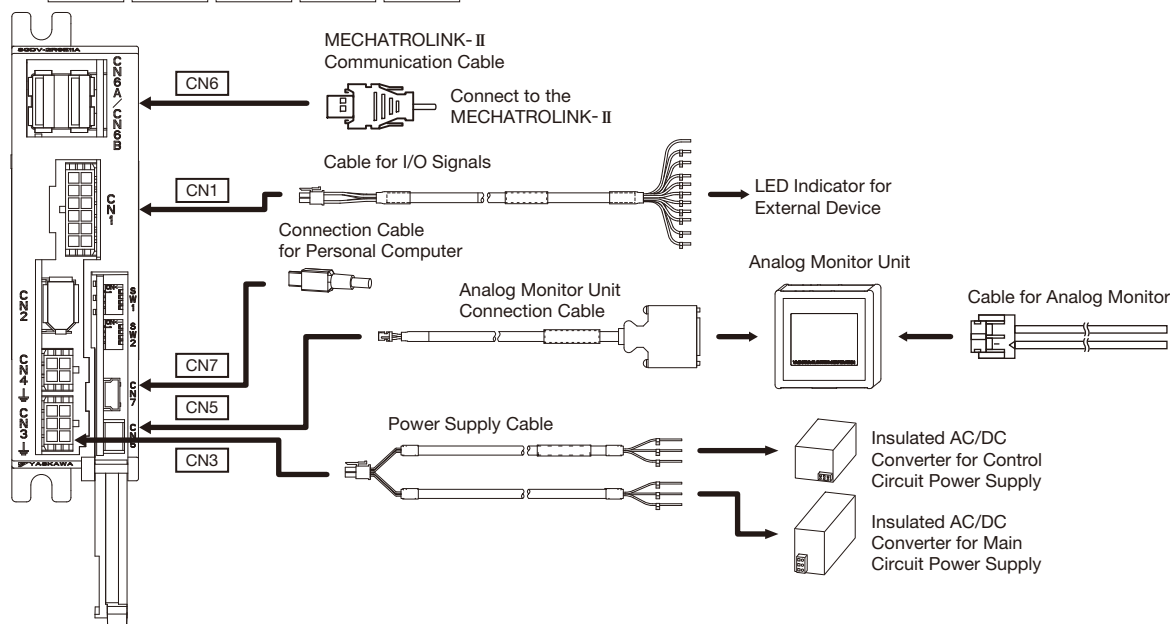
The following table shows SERVOPACK's power supply capacities and power losses at the rated output.

Main Circuit Power Supply	Applicable Servomotor Max. Capacity W	SERVOPACK Model SGDV-	Main Circuit Power Supply Capacity per SERVOPACK W	Output Current Arms	Main Circuit Power Loss W	Regenerative Resistor Power Loss W	Control Circuit Power Loss W	Total Power Loss W
24 VDC	11	1R7E	108	1.7	3.4	-	7.2	10.6
	30	2R9E	165	2.9	6.9			14.1
48 VDC	11	1R7E	169	1.7	3.4	-	7.2	10.6
	30	2R9E	411	2.9	6.9			14.1

Note: These power supply capacities are net values at instantaneous maximum loads.

Selecting Cables

● Cables for **CN1** **CN3** **CN5** **CN6** **CN7** (MECHATROLINK-II Communications Reference SERVOPACKs)



Name	Length	Order No.	Specifications	Details				
CN1 Cables for I/O Signals	Cable with Loose wire at One End	1 m 2 m 3 m	JZSP-CF1102-1-E JZSP-CF1102-2-E JZSP-CF1102-3-E		(1)			
	CN3 Power Supply Cables	Cable with Loose wire at One End	1 m 2 m 3 m 4 m 5 m 6 m 7 m 8 m 9 m 10 m			JZSP-CF1G00-01-E JZSP-CF1G00-02-E JZSP-CF1G00-03-E JZSP-CF1G00-04-E JZSP-CF1G00-05-E JZSP-CF1G00-06-E JZSP-CF1G00-07-E JZSP-CF1G00-08-E JZSP-CF1G00-09-E JZSP-CF1G00-10-E	SERVOPACK End Power Supply End 	(2)
		CN5 Analog Monitor Unit Cable	Analog Monitor Unit					
Analog Monitor Unit Connection Cable			0.3 m	JZSP-CF1S06-A3-E	SERVOPACK End Analog Monitor Unit End 	(4)		
CN6A CN6B MECHATROLINK-II Communication Cable		Cables for Analog Monitor	1 m	JZSP-CA01-E	Analog Monitor Unit End 	(5)		
		Cables with Connectors at Both Ends	0.5 to 50 m	JEPMC-W6002-□□-E		(6)		
		Cables with Connectors at Both Ends (with Ferrite Core)	0.5 to 50 m	JEPMC-W6003-□□-E		(7)		
Terminator			JEPMC-W6022-E		(8)			
CN7 Connection Cables for Personal Computer		2.5 m	JZSP-CVS06-02-E	Cable with Connectors at Both Ends 	(9)			

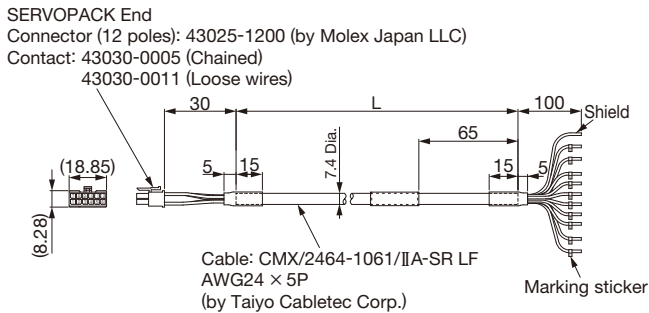
DC

M-II

Selecting Cables

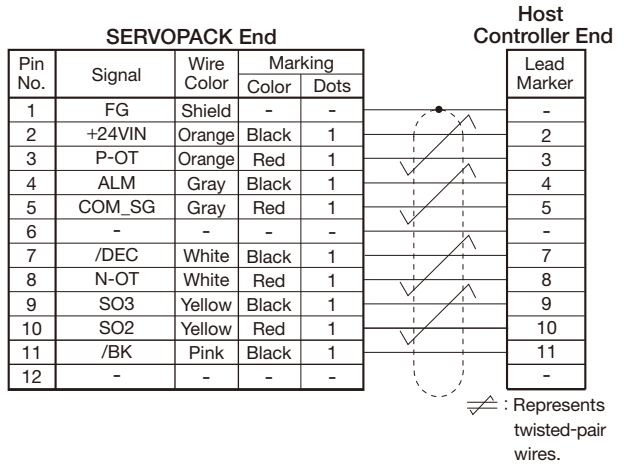
(1) Cable with Loose Wires at One End for CN1 (Model: JZSP-CF1I02-□-E)

- External Dimensions (Units: mm)



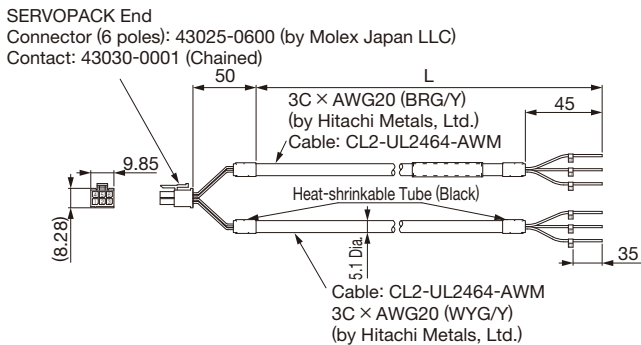
Model	Cable Length
JZSP-CF1I02-1-E	1 m
JZSP-CF1I02-2-E	2 m
JZSP-CF1I02-3-E	3 m

● Cable with Loose Wires at One End for CN1 Connection Diagram of JZSP-CF1I02-□-E Cable



(2) Cable with Loose Wires at One End for CN3 (Model: JZSP-CF1G00-□□-E)

- External Dimensions (Units: mm)



Model	Cable Length
JZSP-CF1G00-01-E	1 m
JZSP-CF1G00-02-E	2 m
JZSP-CF1G00-03-E	3 m
JZSP-CF1G00-04-E	4 m
JZSP-CF1G00-05-E	5 m
JZSP-CF1G00-06-E	6 m
JZSP-CF1G00-07-E	7 m
JZSP-CF1G00-08-E	8 m
JZSP-CF1G00-09-E	9 m
JZSP-CF1G00-10-E	10 m

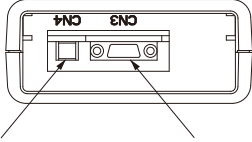
· Specifications

Pin No.	Cable Color	Signal
1	Green/yellow	FG
2	Green/yellow	FG
3	Blue	L2
4	White	C2
5	Yellow	C1
6	Red	L1

Selecting Cables

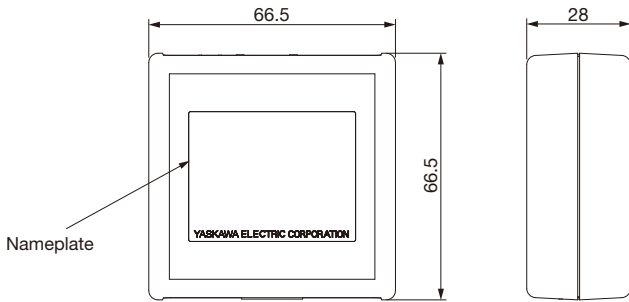
**(3) Analog Monitor Unit
 (Model: JUSP-PC001-E)**

· External Dimensions (Units: mm)

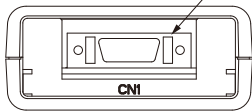


CN4: Connector for Analog Monitor CN3: Connector for Digital Operator

Note: CN3 connector is valid only for analog voltage/pulse train reference SERVOPACK. CN3 connector is not used on M-II/M-III communications reference SERVOPACK.



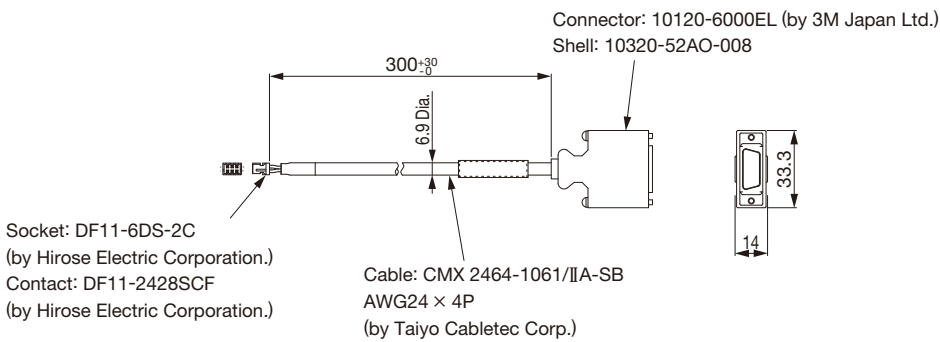
CN1: Connector for SERVOPACK



Note: The cable (JZSP-CF1S06-A3-E) to connect the SERVOPACK is not included.

**(4) Analog Monitor Unit Connection Cable for CN5
 (Model: JZSP-CF1S06-A3-E)**

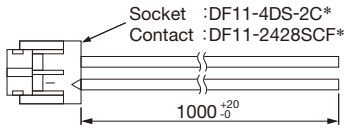
· External Dimensions (Units: mm)



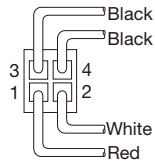
Selecting Cables

(5) Analog Monitor Unit Cable for CN4 (Model: JZSP-CA01-E)

- External Dimensions (Units: mm)



* : Manufactured by Hirose Electric Corporation.



View from Cable End

- Specifications

Pin No.	Cable Color	Signal	Standard Settings
1	Red	Analog Monitor 2	Motor speed : 1V/1000 min ⁻¹
2	White	Analog Monitor 1	Torque reference : 1V/100% rated torque
3, 4	Black (2 cables)	GND (0V)	—

Note : The specifications above are factory settings. Monitor specifications can be changed by changing parameters Pn006 and Pn007.

(6) Cable with Connectors at Both Ends for CN6 (Model: JEPMC-W6002-□□-E)

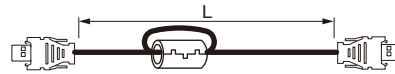
- External Dimensions (Units: mm)



Model	Cable Length (L)
JEPMC-W6002-A5-E	0.5 m
JEPMC-W6002-01-E	1.0 m
JEPMC-W6002-03-E	3.0 m
JEPMC-W6002-05-E	5.0 m
JEPMC-W6002-10-E	10.0 m
JEPMC-W6002-20-E	20.0 m
JEPMC-W6002-30-E	30.0 m
JEPMC-W6002-40-E	40.0 m
JEPMC-W6002-50-E	50.0 m

(7) Cable with Connectors at Both Ends (with Ferrite Core) for CN6 (Model: JEPMC-W6003-□□-E)

- External Dimensions (Units: mm)



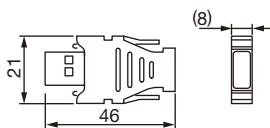
Model	Cable Length (L)
JEPMC-W6003-A5-E	0.5 m
JEPMC-W6003-01-E	1.0 m
JEPMC-W6003-03-E	3.0 m
JEPMC-W6003-05-E	5.0 m
JEPMC-W6003-10-E	10.0 m
JEPMC-W6003-20-E	20.0 m
JEPMC-W6003-30-E	30.0 m
JEPMC-W6003-40-E	40.0 m
JEPMC-W6003-50-E	50.0 m

IMPORTANT

Use a MECHATROLINK-II communications cable specified by Yaskawa. When using other cables, noise resistance may be reduced, and operation cannot be guaranteed.

(8) MECHATROLINK-II Terminator for CN6 (Model : JEPMC-W6022-E)

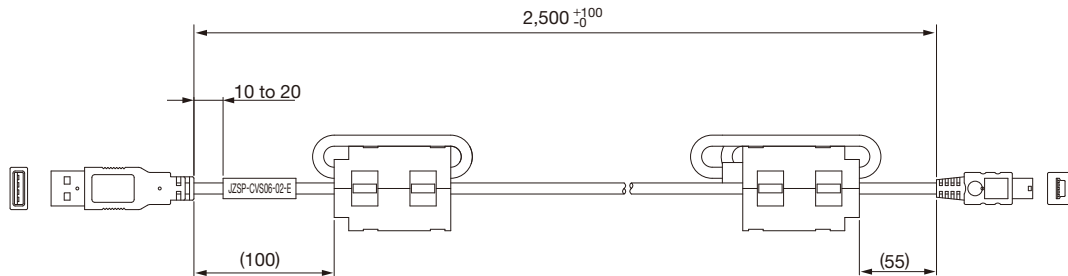
- External Dimensions (Units: mm)



Selecting Cables

(9) Connection Cable for Personal Computer for CN7 (Model: JZSP-CVS06-02-E)

- External Dimensions (Units: mm)

**IMPORTANT**

Use a cable specified by Yaskawa.
When using other cables, operation cannot be guaranteed.

MECHATROLINK-III Communications Reference SERVOPACKs

SGDV-□□□E21 (For Rotary Servomotors)



Model Designations

S G D V - 2R9 E 21 A 000 00 0

Σ-V Series
SGDV
SERVOPACKs
with DC Power Input

1st+2nd+3rd digits

4th digit

5th+6th digits

7th digit

8th+9th+10th digits

11th+12th digits

13th digit

1st+2nd+3rd digits Current

Voltage	Code	Applicable Servomotor Max. Capacity kW
24 VDC/	1R7	0.011
48 VDC	2R9	0.030

4th digit Power Supply Voltage

Code	Specifications
E	48 VDC*

5th+6th digits Interface

Code	Specifications
21	MECHATROLINK-III communications Reference (for rotary servomotors)

7th digit Design Revision Order

A, B...

8th+9th+10th digits Options (hardware)

Code	Specifications
000	Standard

11th+12th digits Options (software)

Code	Specifications
00	Standard

13th digit Options (parameter)

Code	Specifications
0	Standard

*: Either a 24-VDC or a 48-VDC power supply can be used for the main circuit. The control power supply must be 24 VDC.
Note: If the option codes digits 8 to 13 are all zeros, they are omitted.

Features

- **Real-time communications**

MECHATROLINK-III communications enable high-speed control for 62 stations at a transmission speed of 100 Mbps in a transmission cycle from 125 μ s to 4 ms (set by the host controller). Such a high transmission speed allows real-time transmission of various data required for control.

- **Cost savings**

The 62 stations can be connected to a single MECHATROLINK-III transmission line, so wiring costs and time are greatly reduced. Also, only one signal connector is required on the host controller. And, the all-digital network eliminates the need for conversion from digital to analog for speed/torque references and for a pulse generator to generate position references.

- **High-precision motion control**

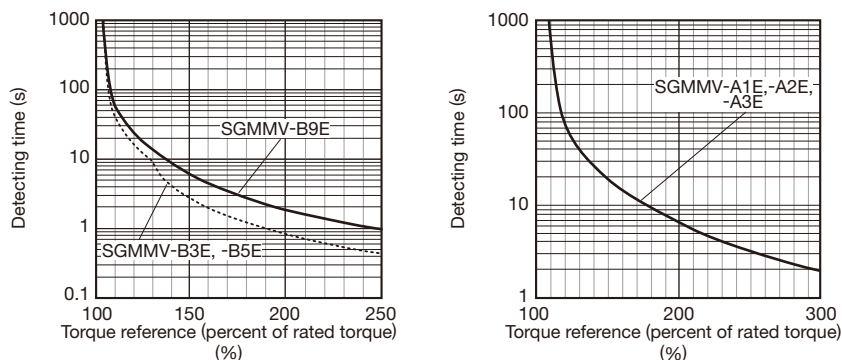
The SGD V SERVOPACK when connected to the host controller in the MECHATROLINK-III network provides not only torque, position, and speed control but also synchronized phase control that requires advanced control technology. The control mode can be changed online so that the machine can move smoothly in complex motions with great efficiency.

Ratings

SERVOPACK Model SGD V-□□□□	1R7E		2R9E	
Applicable Servomotor Max. Capacity kW	0.011		0.030	
Continuous Output Current Arms	1.7		2.9	
Max. Output Current Arms	4.1		8.6	
Regenerative Resistors	None			
Main Circuit*	24 VDC \pm 15%	48 VDC \pm 15%	24 VDC \pm 15%	48 VDC \pm 15%
Control Circuit	24 VDC \pm 15%			

*: Either a 24-VDC or a 48-VDC power supply can be used for the main circuit. When a 24-VDC power supply is used, the torque-motor speed characteristics for a 48 VDC cannot be achieved. For details, refer to *Torque-Motor Speed Characteristics* on page 6.

- **SERVOPACK Overload Characteristics**



Note: Overload characteristics shown above do not guarantee continuous duty of 100% or more output. Use a servomotor with effective torque within the continuous duty zone of *Torque-Motor Speed Characteristics*.

Specifications

Items		Specifications		
Control Method		PWM control, sine-wave driven		
Feedback		Serial encoder: 17-bit (incremental/absolute)		
Operating Conditions	Ambient Temperature	0 to +55°C		
	Storage Temperature	-20 to +85°C		
	Ambient Humidity	90%RH or less	With no freezing or condensation	
	Storage Humidity	90%RH or less		
	Vibration Resistance	4.9 m/s ²		
	Shock Resistance	19.6 m/s ²		
	Protection Class	IP10	An environment that satisfies the following conditions. <ul style="list-style-type: none"> Free of corrosive or flammable gases Free of exposure to water, oil, or chemicals Free of dust, salts, or iron dust 	
	Pollution Degree	2		
	Altitude	1000 m or less		
Others	Do not use SERVOPACKs in the following locations: <ul style="list-style-type: none"> Locations subject to static electricity noise, strong electromagnetic/magnetic fields, radioactivity 			
Applicable Standards		Refer to <i>International Standards</i> on page 454.		
Mounting		Base-mounted		
Performance	Speed Control Range		1 : 5000 (The lower limit of the speed control range must be lower than the point at which the rated torque does not cause the servomotor to stop.)	
	Speed Regulation*1	Load Fluctuation	0% to 100% load: ±0.01% max. (at rated speed)	
		Voltage Fluctuation	Rated voltage: ±10% : 0% (at rated speed)	
		Temperature Fluctuation	25±25°C : ±0.1% max. (at rated speed)	
	Torque Control Tolerance (Repeatability)		±1%	
Soft Start Time Setting		0 to 10 s (can be set individually for acceleration and deceleration.)		
I/O Signal	Sequence Input	Input Signals which can be allocated	Number of Channels	3 channels
			Functions	<ul style="list-style-type: none"> Homing deceleration switch signal (/DEC) External latch signals (/EXT 1) Forward run prohibited (P-OT), reverse run prohibited (N-OT) Forward external torque limit (/P-CL), reverse external torque limit (/N-CL) Positive and negative logic can be changed.
	Sequence Output	Output Signals which can be allocated	Fixed Output	Servo alarm (ALM)
			Number of Channels	3 channels
Functions	<ul style="list-style-type: none"> Positioning completion (/COIN) Speed limit detection (/VLT) Speed coincidence detection (/V-CMP) Brake (/BK) Rotation detection (/TGON) Warning (/WARN) Servo ready (/S-RDY) Near (/NEAR) Torque limit detection (/CLT) Positive and negative logic can be changed.			
Communications	Computer (USB)		Compatible with SigmaWin+. Compliant with the USB1.1 standard (12 Mbps)	
Display		Servo alarm (ALM): red, servo ready (RDY): green, link 1 (LK1): green, link 2 (LK2): green, communications (COM): green		
DIP Switches for MECHATROLINK-III Communication Settings		S1 DIP switch	Number of poles: 8*2	
		S2 DIP switch	Number of poles: 4*2	
Analog Monitor		Number of points: 2 Output voltage: ±10 VDC (linearity effective range: ±8 V) Output through the analog monitor unit (model: JUSP-PC001-E)		

*1: Speed regulation by load regulation is defined as follows:

$$\text{Speed regulation} = \frac{\text{No-load motor speed} - \text{Total load motor speed}}{\text{Rated motor speed}} \times 100\%$$

*2: For details, refer to 4.1.1 *Setting Switches S1 and S2* in the AC Servo Drives DC Power Input Σ -V Series *USER'S MANUAL Design and Maintenance* (manual no. SIJPS800000 83).

(Cont'd)

Specifications

Items		Specifications
Dynamic Brake (DB)		Not available
Regenerative Processing		Not available
Overtravelling (OT) Prevention		Decelerate to a stop or coast to a stop when overtraveling is detected and an overtravel signal (P-OT or N-OT) is input.
Protective Functions		Overcurrent, Overvoltage, low voltage, overload, etc.
Utility Functions		Gain adjustment, alarm history, JOG operation, origin search, etc.
MECHATROLINK-III Communications	Communications Protocol	MECHATROLINK-III
	Station Address	03H to EFH (max. number of slaves: 62) Set by using the S1 DIP switch.
	Transmission Speed	100 Mbps
	Transmission Cycle	125 μ s, 250 μ s, 500 μ s, 750 μ s, 1 ms to 4 ms (increments of 0.5 ms)
	Number of Transmission Bytes	Can be switched between 16 bytes/station, 32 bytes/station, or 48 bytes/station Set by using the S2 DIP switch.
Command Method	Performance	Position control, speed control, and torque control through MECHATROLINK-III communications
	Command Input	MECHATROLINK commands (for sequence, motion, data setting/reference, monitoring, adjustment, and other commands.)
	Profile	MECHATROLINK-II compatible profile MECHATROLINK-III standard servo profile

Power Supply Capacities and Power Losses

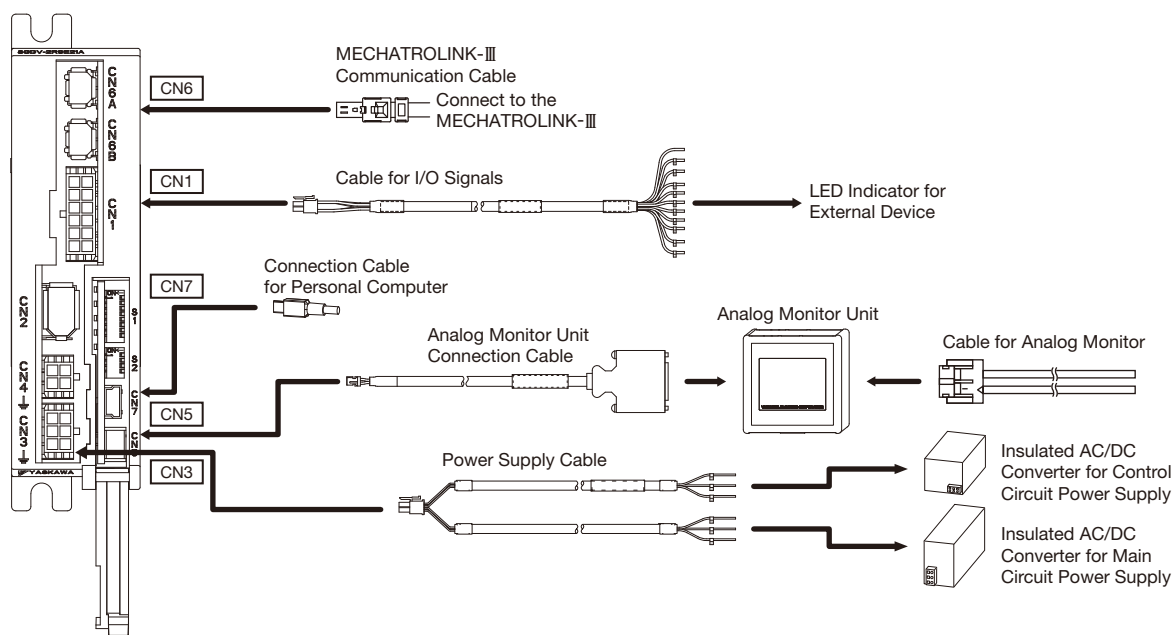
The following table shows SERVOPACK's power supply capacities and power losses at the rated output.

Main Circuit Power Supply	Applicable Servomotor Max. Capacity W	SERVOPACK Model SGDV-	Main Circuit Power Supply Capacity per SERVOPACK W	Output Current Arms	Main Circuit Power Loss W	Regenerative Resistor Power Loss W	Control Circuit Power Loss W	Total Power Loss W
24 VDC	11	1R7E	108	1.7	3.4	-	7.2	10.6
	30	2R9E	165	2.9	6.9			14.1
48 VDC	11	1R7E	169	1.7	3.4	-	7.2	10.6
	30	2R9E	411	2.9	6.9			14.1

Note: These power supply capacities are net values at instantaneous maximum loads.

Selecting Cables

●Cables for **CN1** **CN3** **CN5** **CN6** **CN7** (MECHATROLINK-III Communications Reference SERVOPACKs)

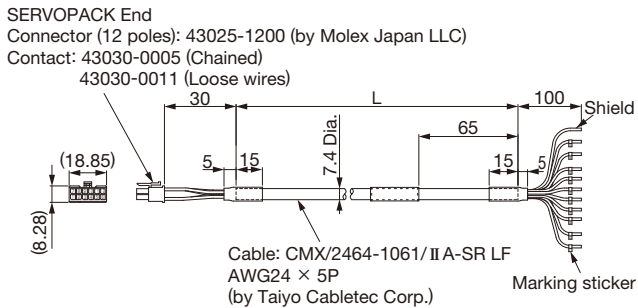


Name	Length	Order No.	Specifications	Details	
CN1 Cables for I/O Signals	1 m	JZSP-CF1I02-1-E		(1)	
	2 m	JZSP-CF1I02-2-E			
	3 m	JZSP-CF1I02-3-E			
CN3 Power Supply Cables	1 m	JZSP-CF1G00-01-E	SERVOPACK End Power Supply End 	(2)	
	2 m	JZSP-CF1G00-02-E			
	3 m	JZSP-CF1G00-03-E			
	4 m	JZSP-CF1G00-04-E			
	5 m	JZSP-CF1G00-05-E			
	6 m	JZSP-CF1G00-06-E			
	7 m	JZSP-CF1G00-07-E			
	8 m	JZSP-CF1G00-08-E			
	9 m	JZSP-CF1G00-09-E			
	10 m	JZSP-CF1G00-10-E			
CN5 Analog Monitor Unit Cable	Analog Monitor Unit		JUSP-PC001-E		(3)
	Analog Monitor Unit Connection Cable	0.3 m	JZSP-CF1S06-A3-E	SERVOPACK End Analog Monitor Unit End 	(4)
	Cables for Analog Monitor	1 m	JZSP-CA01-E	Analog Monitor Unit End 	(5)
CN6A CN6B MECHATROLINK-III Communication Cable	Cables with Connectors at Both Ends	0.2 to 50 m	JEPMC-W6012-□□-E		(6)
	Cables with Connectors at Both Ends (with Ferrite Core)	10 to 50 m	JEPMC-W6013-□□-E		(7)
	Cable with Loose wire at One End	0.5 to 50 m	JEPMC-W6014-□□E		(8)
CN7 Connection Cables for Personal Computer	2.5 m	JZSP-CVS06-02-E	Cable with Connectors at Both Ends 	(9)	

Selecting Cables

(1) Cable with Loose Wires at One End for CN1 (Model: JZSP-CF1102-□-E)

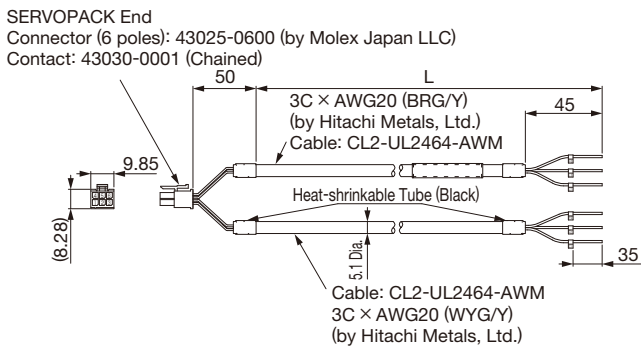
- External Dimensions (Units: mm)



Model	Cable Length
JZSP-CF1102-1-E	1 m
JZSP-CF1102-2-E	2 m
JZSP-CF1102-3-E	3 m

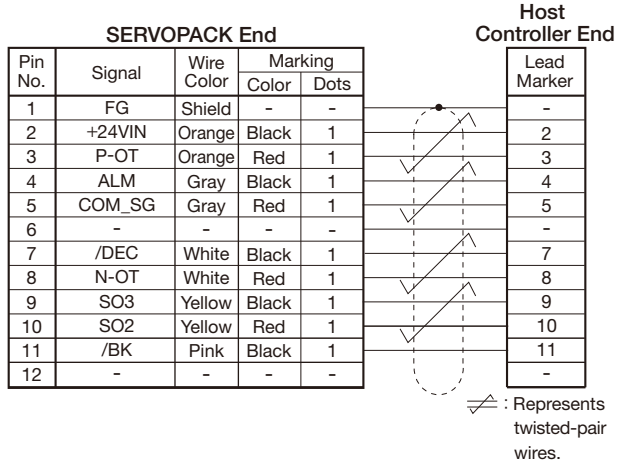
(2) Cable with Loose Wires at One End for CN3 (Model: JZSP-CF1G00-□□-E)

- External Dimensions (Units: mm)



Model	Cable Length
JZSP-CF1G00-01-E	1 m
JZSP-CF1G00-02-E	2 m
JZSP-CF1G00-03-E	3 m
JZSP-CF1G00-04-E	4 m
JZSP-CF1G00-05-E	5 m
JZSP-CF1G00-06-E	6 m
JZSP-CF1G00-07-E	7 m
JZSP-CF1G00-08-E	8 m
JZSP-CF1G00-09-E	9 m
JZSP-CF1G00-10-E	10 m

● Cable with Loose Wires at One End for CN1 Connection Diagram of JZSP-CF1102-□-E Cable



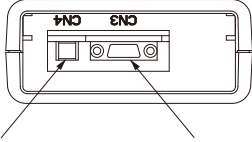
• Specifications

Pin No.	Cable Color	Signal
1	Green/yellow	FG
2	Green/yellow	FG
3	Blue	L2
4	White	C2
5	Yellow	C1
6	Red	L1

Selecting Cables

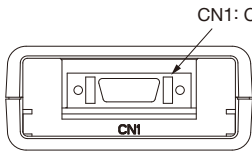
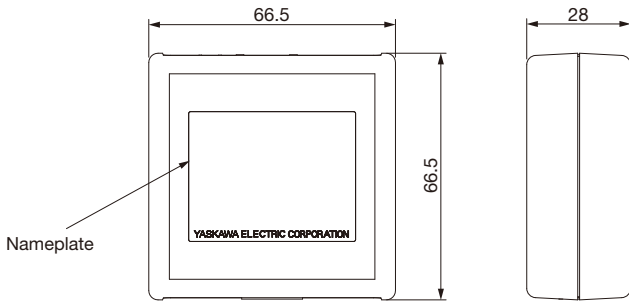
**(3) Analog Monitor Unit
 (Model: JUSP-PC001-E)**

· External Dimensions (Units: mm)



CN4: Connector for Analog Monitor CN3: Connector for Digital Operator

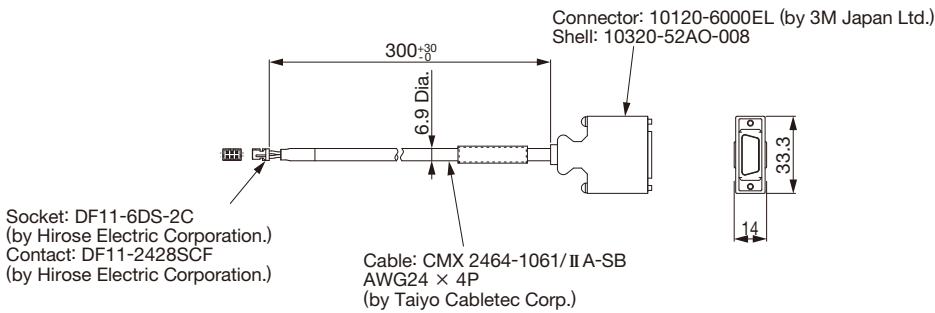
Note: CN3 connector is valid only for analog voltage/pulse train reference SERVOPACK. CN3 connector is not used on M-II/M-III communications reference SERVOPACK.



CN1: Connector for SERVOPACK
 Note: The cable (JZSP-CF1S06-A3-E) to connect the SERVOPACK is not included.

**(4) Analog Monitor Unit Connection Cable for CN5
 (Model: JZSP-CF1S06-A3-E)**

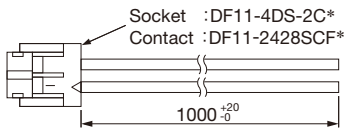
· External Dimensions (Units: mm)



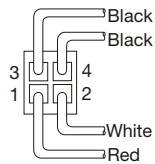
Selecting Cables

(5) Analog Monitor Unit Cable for CN4 (Model: JZSP-CA01-E)

- External Dimensions (Units: mm)



* : Manufactured by Hirose Electric Corporation.



View from Cable End

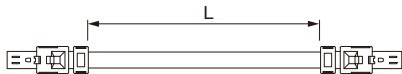
- Specifications

Pin No.	Cable Color	Signal	Standard Settings
1	Red	Analog Monitor 2	Motor speed : 1V/1000 min ⁻¹
2	White	Analog Monitor 1	Torque reference : 1V/100% rated torque
3, 4	Black (2 cables)	GND (0V)	—

Note : The specifications above are factory settings. Monitor specifications can be changed by changing parameters Pn006 and Pn007.

(6) Cables with Connectors at Both Ends for CN6 (Model: JEPMC-W6012-□□-E)

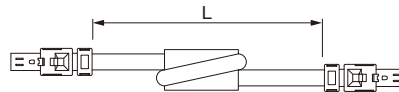
- External Dimensions (Units: mm)



Model	Cable Length (L)
JEPMC-W6012-A2-E	0.2 m
JEPMC-W6012-A5-E	0.5 m
JEPMC-W6012-01-E	1 m
JEPMC-W6012-02-E	2 m
JEPMC-W6012-03-E	3 m
JEPMC-W6012-04-E	4 m
JEPMC-W6012-05-E	5 m
JEPMC-W6012-10-E	10 m
JEPMC-W6012-20-E	20 m
JEPMC-W6012-30-E	30 m
JEPMC-W6012-50-E	50 m

(7) Cables with Connectors at Both Ends (With Ferrite Core) for CN6 (Model: JEPMC-W6013-□□-E)

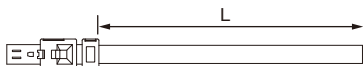
- External Dimensions (Units: mm)



Model	Cable Length (L)
JEPMC-W6013-10-E	10 m
JEPMC-W6013-20-E	20 m
JEPMC-W6013-30-E	30 m
JEPMC-W6013-50-E	50 m

(8) Cable with Loose Wire at One End for CN6 (Model: JEPMC-W6014-□□-E)

- External Dimensions (Units: mm)



Model	Cable Length (L)
JEPMC-W6014-A5-E	0.5 m
JEPMC-W6014-01-E	1 m
JEPMC-W6014-03-E	3 m
JEPMC-W6014-05-E	5 m
JEPMC-W6014-10-E	10 m
JEPMC-W6014-30-E	30 m
JEPMC-W6014-50-E	50 m

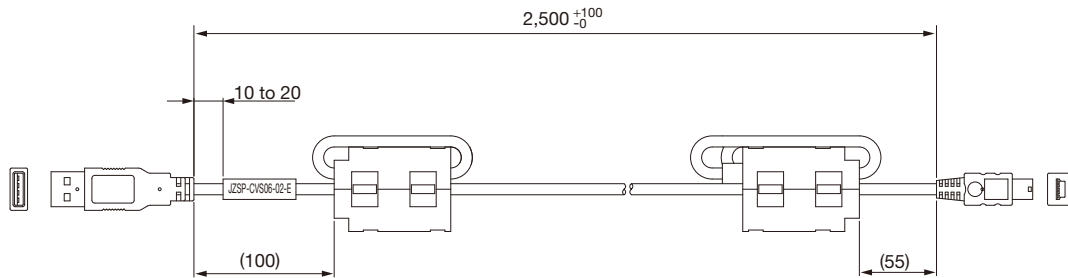
IMPORTANT

Use a MECHATROLINK-III communications cable specified by Yaskawa. When using other cables, noise resistance may be reduced, and operation cannot be guaranteed.

Selecting Cables

(9) Connection Cable for Personal Computer for CN7 (Model: JZSP-CVS06-02-E)

- External Dimensions (Units: mm)

**IMPORTANT**

Use a cable specified by Yaskawa.
When using other cables, operation cannot be guaranteed.



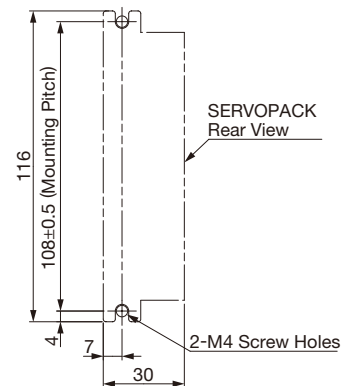
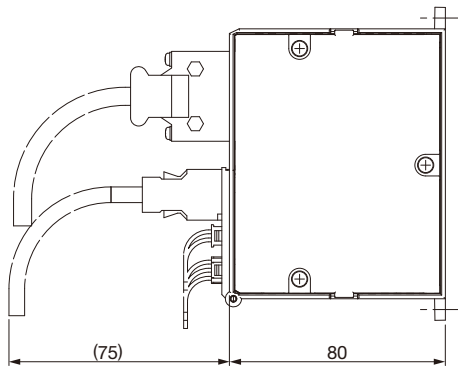
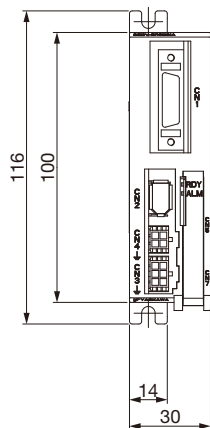
SERVOPACK External Dimensions

External Dimensions Units: mm

● Base-Mounted SERVOPACKs

(1) Analog Voltage Reference, Model: SGDV-1R7ES1A, -2R9ES1A

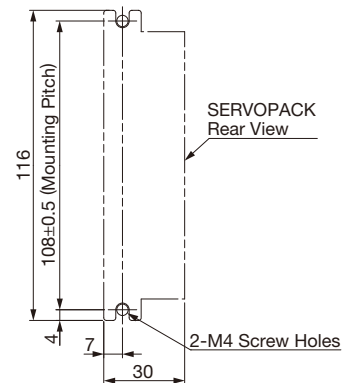
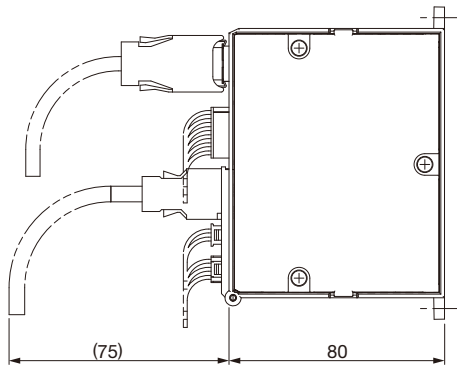
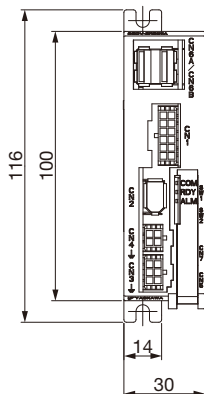
Pulse Train Reference, Model: SGDV-1R7EP1A, -2R9EP1A



Mounting Hole Diagram

Approx. Mass: 0.3 kg

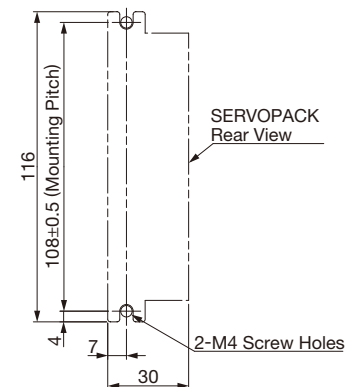
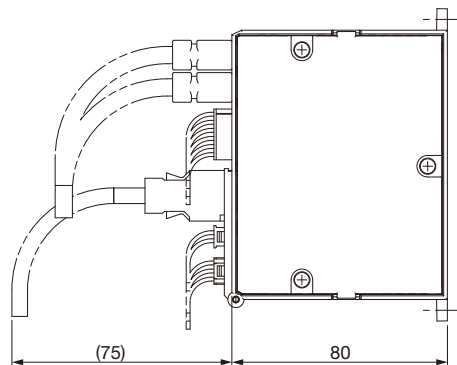
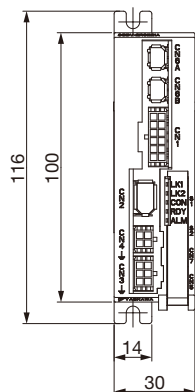
(2) MECHATROLINK-II Communications Reference, Model: SGDV-1R7E11A, -2R9E11A



Mounting Hole Diagram

Approx. Mass: 0.3 kg

(3) MECHATROLINK-III Communications Reference, Model: SGDV-1R7E21A, -2R9E21A

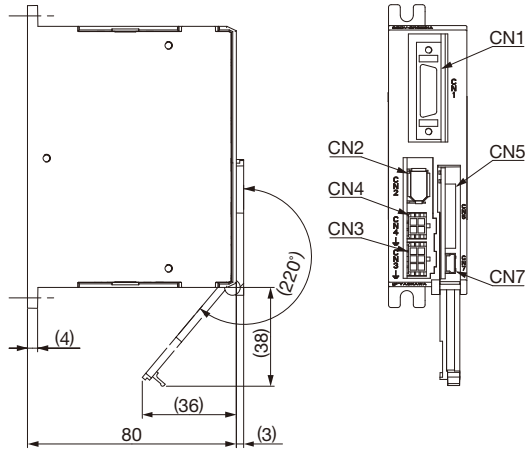


Mounting Hole Diagram

Approx. Mass: 0.3 kg

Cover Dimensions and Connectors

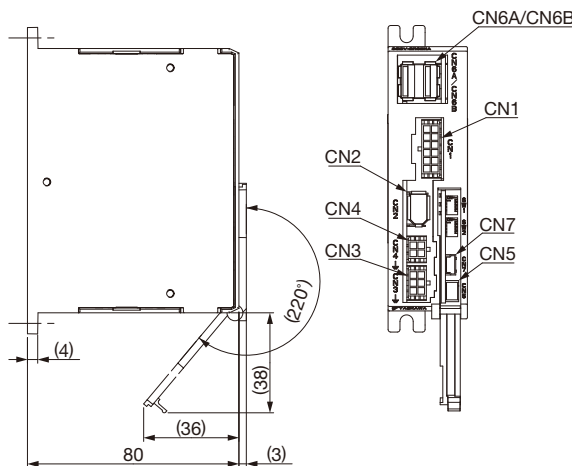
(1) Analog Voltage Reference /Pulse Train Reference



Port	Model	Pin	Manufacturer
CN1	10226-52A2PL	26	3M Japan Ltd.
CN2	3E106-0220KV	6	3M Japan Ltd.
CN3	43045-0600	6	Molex Japan LLC
CN4	43045-0400	4	Molex Japan LLC
CN5	DA3R018HB1	18	Japan Aviation Electronics Industry, Ltd.
CN7	UX60SC-MB-5S8 (80)	5	Hirose Electric Corporation.

Note: The connectors above or their equivalents are used for SERVOPACKs.

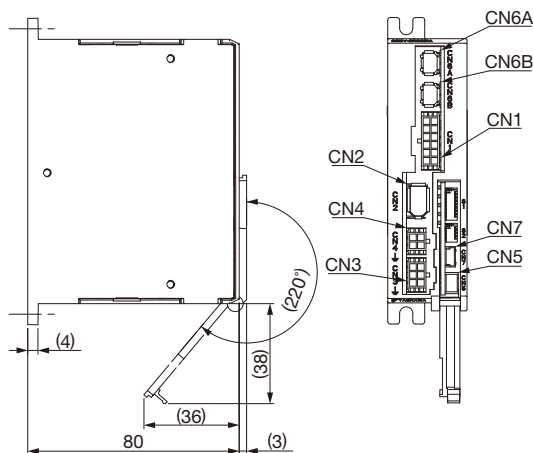
(2) MECHATROLINK-II Communications Reference



Port	Model	Pin	Manufacturer
CN1	43045-1201	12	Molex Japan LLC
CN2	3E106-0220KV	6	3M Japan Ltd.
CN3	43045-0600	6	Molex Japan LLC
CN4	43045-0400	4	Molex Japan LLC
CN5	DF11-6DP-2DS (52)	6	Hirose Electric Corporation.
CN6A/ CN6B	1903815-1	8	Tyco Electronics Japan G.K.
CN7	UX60SC-MB-5S8 (80)	5	Hirose Electric Corporation.

Note: The connectors above or their equivalents are used for SERVOPACKs.

(3) MECHATROLINK-III Communications Reference



Port	Model	Pin	Manufacturer
CN1	43045-1201	12	Molex Japan LLC
CN2	3E106-0220KV	6	3M Japan Ltd.
CN3	43045-0600	6	Molex Japan LLC
CN4	43045-0400	4	Molex Japan LLC
CN5	DF11-6DP-2DS (52)	6	Hirose Electric Corporation.
CN6A/ CN6B	1981386-1	8	Tyco Electronics Japan G.K.
CN7	UX60SC-MB-5S8 (80)	5	Hirose Electric Corporation.

Note: The connectors above or their equivalents are used for SERVOPACKs.



Wiring Main Circuit and Peripheral Devices

Wiring Main Circuit

Typical Main Circuit Wiring Examples

This section shows an example of the typical wiring for the main circuit.

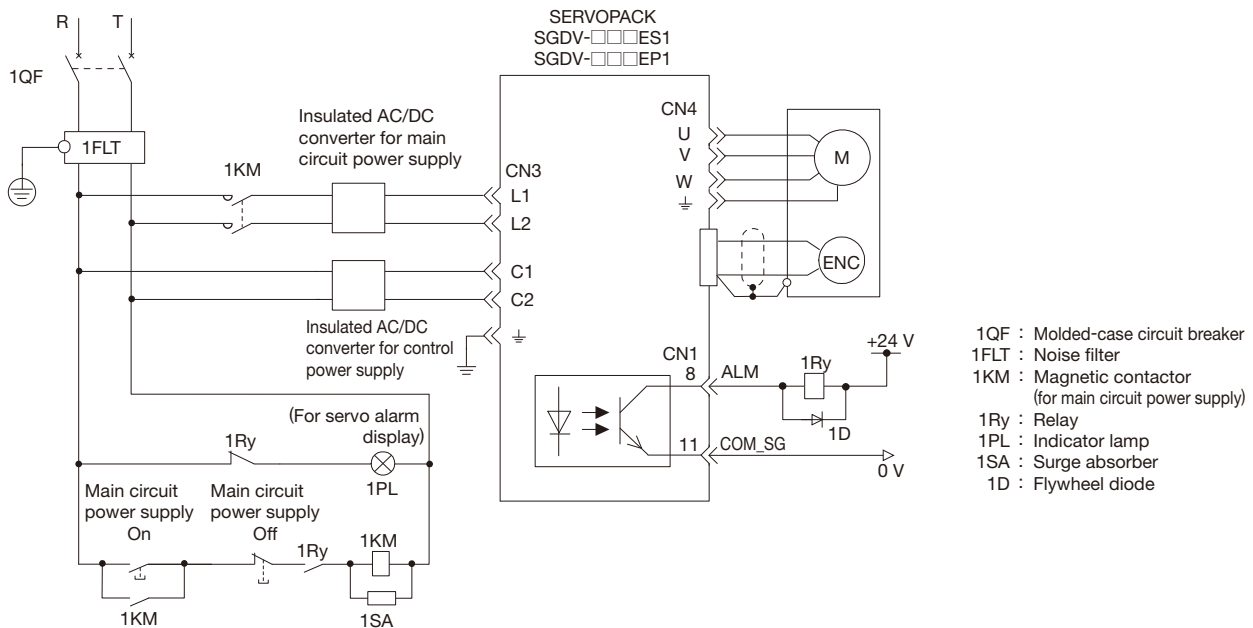
WARNING

High voltage may still remain in the SERVOPACK after the power has been turned OFF. To avoid electric shocks, do not touch the power supply terminals. Be sure that the remaining voltage has been discharged before wiring and inspecting.

IMPORTANT

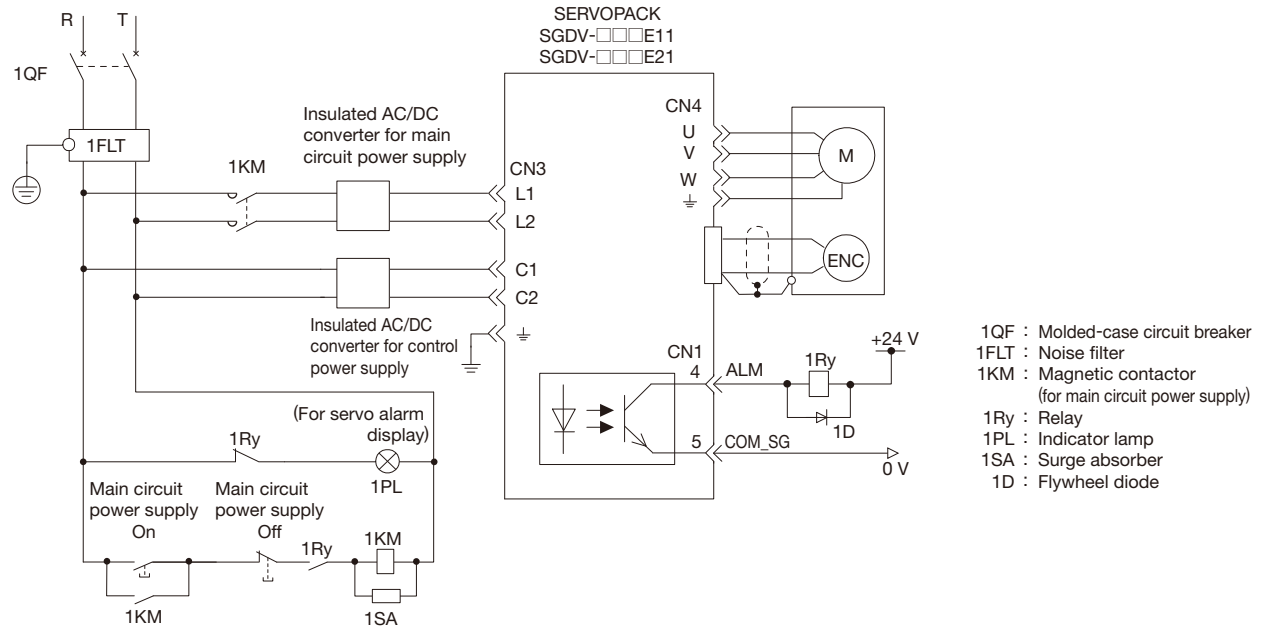
- Turn ON the power supplies for the control and for the main circuit at the same time, or first turn ON the control power and then the power for the main circuit power. When turning OFF the power, first turn OFF the power for the main circuit and then control power.
- Use separate power supplies for the main circuit AC/DC power supply and control AC/DC power supply. Use power supplies with double or reinforced insulation and that have also been certified for safety standards.
- Do not connect the following devices to the control power line: motors, solenoids, or other devices with large load fluctuations, and contactors or other devices that generate surge voltage. If connected, internal elements may deteriorate or a fuse may melt.

SERVOPACKs with Analog Voltage Reference/Pulse Train Reference



Wiring Main Circuit

●SERVOPACKs with MECHATROLINK-Ⅱ or -Ⅲ Communications Reference



●General Precautions for Wiring

IMPORTANT

- Use a molded-case circuit breaker (1QF) or a fuse to protect the servo system.
 Always use a molded-case circuit breaker or a fuse to protect the servo system from accidents involving different power voltages or other accidents.
- Install a ground fault detector.
 The SERVOPACK does not have a built-in protective circuit for grounding. For a safer system, install a ground fault detector to protect against overloads and short circuits, or install a ground fault detector that is combined with a molded-case circuit breaker.
- Do not turn the power OFF and ON more than necessary.
 - Do not use the SERVOPACK for applications that require the power to be frequently turned OFF and ON. Such applications will cause elements in the SERVOPACK to deteriorate.
 - As a guideline, wait at least one hour before restarting the power after turning OFF the power during operation.

To ensure safe, stable application of the servo system, observe the following precautions when wiring.

Observe the following precautions when wiring the main circuit.

- Use shielded twisted-pair wires or shielded, multi-core, twisted-pair wires for I/O signal cables and the encoder cables.
- The maximum wiring length is 3 m for I/O signal cables, 50 m for encoder cables or servomotor main circuit cables, and 10 m for control power and main circuit power cables.

Observe the following precautions when grounding.

- Use a cable that is as thick as possible.
- Ground the SERVOPACK to a resistance of 100 Ω or less.
- Be sure to ground at only one point.
- Ground the servomotor directly if the servomotor is insulated from the machine.

The signal cable conductors are as thin as 0.2 mm² or 0.3 mm². Do not impose excessive bending force or tension.

SERVOPACK Main Circuit Wire

● For 48 VDC and 24 VDC

Cables	Terminal Symbol	SERVOPACK Model SGD V-		Remarks
		1R7E	2R9E	
Power Supply Cable	L1, L2, C1, C2, \pm	JZSP-CF1G00-□□-E		For details, refer to <i>Selecting Cables for SERVOPACKs with DC Power Input</i> on page 13.
Servomotor Main Circuit Cable	U, V, W, \pm	JZSP-CF1M00-□□-E (For motors without brakes) JZSP-CF1M10-□□-E (For motors with brakes) JZSP-CF1M20-□□-E (Flexible type cable for motors without brakes) JZSP-CF1M30-□□-E (Flexible type cable for motors with brakes)		For details, refer to <i>Selecting Cables</i> on page 399, page 409, and page 419.

If assembling a main circuit cable for the SERVOPACK, observe the following conditions.

- IMPORTANT**
- The specified wire sizes are for use when the three lead cables are bundled and when the rated electric current is applied with a surrounding air temperature of 40°C
 - Use a wire with a minimum withstand voltage of 100 V.
 - Use insulated wire with an outer diameter of 1.85 mm or smaller. The wire size is restricted due to the specifications of the contact used.
 - If cables are bundled in PVC pipes or metal ducts, remember to consider resulting reduction of the allowable current.
 - Use heat-resistant wire for high surrounding air or panel temperatures.
 - Use a cable with a maximum length of 10 m for the main circuit's power and one with a maximum length of 50 m for the motor's main circuit.

Cables	SERVOPACK Model SGD V-		Remarks
	1R7E	2R9E	
CN3 For Main Circuit Power	Connector	43025-0600 (by Molex Japan LLC)	6 poles
	Contact	43030-0001 (by Molex Japan LLC)	—
	Wire for Main Circuit Power (L1, L2, \pm)	UL1007, AWG20	Rated voltage: 300 V; rated temperature: 80°C
	Wire for Control Power (C1, C2, \pm)	UL1007, AWG20-24	Rated voltage: 300 V; rated temperature: 80°C
CN4 For Motor Main Circuit	Connector (SERVOPACK End)	43025-0400 (by Molex Japan LLC)	4 poles
	Contact (SERVOPACK End)	43030-0001 (by Molex Japan LLC)	—
	Connector (for a servomotor without brake)	43020-0401 (by Molex Japan LLC)	4 poles
	Connector (for a servomotor with brake)	43020-0601 (by Molex Japan LLC)	6 poles
	Contact (Servomotor End)	43031-0001 (by Molex Japan LLC)	—
	Wire for Servomotor Main Circuit (U, V, W, brake power, \pm)	UL1007, AWG20	Rated voltage: 300 V; rated temperature: 80°C

Molded-case Circuit Breaker and Fuse Capacity

● Input Power Capacity

Main Circuit Power Supply	SERVOPACK Model	Servomotor Model	Power Supply Capacity per SERVOPACK W	Input Current Capacity		
				Main Circuit Continuous Rated Current A	Main Circuit Instantaneous Maximum Current A	Control Circuit A
24 VDC	SGDV-1R7E□1A	SGMMV-B3E2A□□	108	1.5	5.5	0.3
		SGMMV-B5E2A□□		2.0		
		SGMMV-B9E2A□□				
	SGDV-2R9E□1A	SGMMV-A1E2A□□	165	1.5	8.5	
		SGMMV-A2E2A□□		2.5		
		SGMMV-A3E2A□□				
48 VDC	SGDV-1R7E□1A	SGMMV-B3E2A□□	121	1.0	3.0	
		SGMMV-B5E2A□□			3.5	
		SGMMV-B9E2A□□			4.5	
	SGDV-2R9E□1A	SGMMV-A1E2A□□	165	1.0	4.5	
		SGMMV-A2E2A□□			7.5	
		SGMMV-A3E2A□□			10.5	
			290	1.5	7.5	
			411	2.0	10.5	

Note: The power supply capacities indicated in the table are values at an instantaneous maximum load. The main circuit's power supply capacity and the input current capacity are indicated in net values.

● Molded-case Circuit Breaker and Fuse Capacity

Power Supply	Output Voltage	SERVOPACK Model SGDV-	Current Capacity of MCCB or Fuse (Main + Control Circuit)	
			Power Supply Voltage at 100 VAC Arms	Power Supply Voltage at 200 VAC Arms
Main Circuit Power Supply	24 VDC	1R7E	5.5	2.9
	48 VDC		9.0	4.8
Control Circuit Power Supply	24 VDC	2R9E	-	-

Note: Select an MCCB or a fuse that satisfies the following braking characteristics.
 · No braking at the inrush current value of the used power supply for 20 ms.

● AC/DC Power Supply

Use an AC/DC power supply that is appropriate for the voltage of the main circuit and the model of the SERVOPACK and servomotor. The recommended AC/DC power supplies are shown in the following table.

Main Circuit Power Supply	SERVOPACK Model	Servomotor Model	Recommended AC/DC Power Supply*	
			Model	Manufacturer
24 VDC	SGDV-1R7E□1A	SGMMV-B3E2A□□	HWS150-24	TDK-Lambda Corp.
		SGMMV-B5E2A□□		
		SGMMV-B9E2A□□		
	SGDV-2R9E□1A	SGMMV-A1E2A□□	HWS300-24	
		SGMMV-A2E2A□□		
		SGMMV-A3E2A□□		
48 VDC	SGDV-1R7E□1A	SGMMV-B3E2A□□	HWS300-48	
		SGMMV-B5E2A□□		
		SGMMV-B9E2A□□		
	SGDV-2R9E□1A	SGMMV-A1E2A□□	HWS300P-48	
		SGMMV-A2E2A□□		
		SGMMV-A3E2A□□		

*: Use double-insulated power supplies certified for the following international safety standards: UL60950 or EN60950.

Noise Filters

● **Noise Filter Selection**

Use of the following noise filter is recommended for the AC side.

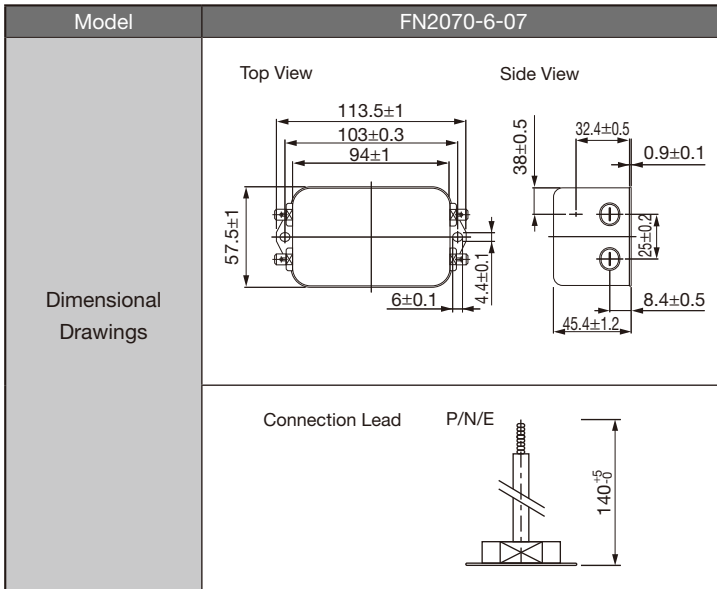
Power Supply AC Side Voltage	SERVOPACK Model SGDV-	Recommended Noise Filter		
		Model	Specifications	Leakage Current
100 VAC/ 200 VAC	1R7E, 2R9E	FN2070-6-07	Single-phase 250V 6A	0.734 mA 230 VAC/50 Hz

Note: RoHS-compliant models are not available. Contact the manufactures when in need of an RoHS-compliant model.

IMPORTANT

Some noise filters have large amounts of leakage current. The grounding measures taken also affect the extent of the leakage current. If necessary, select an appropriate leakage current detector or leakage current breaker taking into account the grounding measures that are used and leakage current from the noise filter. Contact the manufacturer of the noise filter for details.

● **External Dimensions (Units: mm)**
FN Type (by Schaffner EMC, Inc.)



Magnetic Contactors

● Magnetic Contactor Selection

A magnetic contactor is required when external sequence circuit is used to turn the power of a SERVOPACK OFF and ON.

The magnetic contactor shown in the following table is recommended on the AC side of the main circuit's power supply.

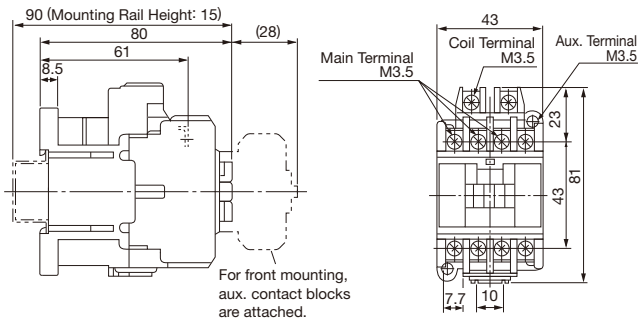
Be sure to attach a surge absorber (surge absorber unit etc.) to the excitation coil of the magnetic contactor.

Power Supply AC Side Voltage	SERVOPACK Model SGDV-	Magnetic Contactor	
		Model	Specifications
100 VAC/ 200 VAC	1R7E, 2R9E	SC-03	(RoHS)

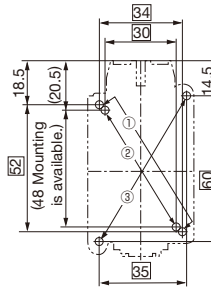
Note: Contact Fuji Electric FA Components & Systems Co., Ltd.

● External Dimensions (Units: mm)

· SC-03



Mounting Hole Dimensions



Aux. Contact	Structure
1a	
1b	

● Mounting methods: The following methods ①, ②, ③ are available.

①...34 × (48 to) 52

②...30 × 48

③...35 × 60

● Mounting screw: 2-M4

Use the two mounting holes on the diagonal line to mount a contactor.

Approx. Mass : 0.32 kg

Others

Selecting Servomotor Capacity and Regenerative Capacity	434
Servomotor Capacity Selection Examples	
Selecting Regenerative Resistors	
Connection to Host Controller	449
Example of Connection to Machine Controller MP2□□□	
Example of Connection to SVA-01 Motion Module for MP2200/MP2300	
Example of Connection to OMRON's Motion Control Unit	
Example of Connection to OMRON's Position Control Unit	
Example of Connection to Mitsubishi's QD75D□ Positioning Unit (SERVOPACK in Position Control)	
International Standards	454
Warranty	455



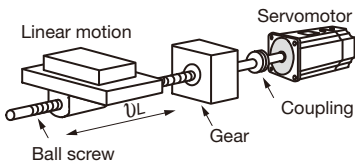
Selecting Servomotor Capacity and Regenerative Capacity

Servomotor Capacity Selection Examples

Use the AC servo drive capacity selection program SigmaSize+ to select servomotor capacity. The program can be downloaded for free from our web site (<http://www.e-mechatronics.com/>).

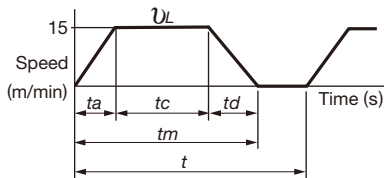
● Selection Example for Speed Control

Mechanical Specifications



- Load speed: $v_L = 15$ m/min
- Linear motion section mass: $m = 250$ kg
- Ball screw length: $\ell_B = 1.0$ m
- Ball screw diameter: $d_B = 0.02$ m
- Ball screw lead: $P_B = 0.01$ m
- Ball screw material density: $\rho = 7.87 \times 10^3$ kg/m³
- Gear ratio: 1/2 (R = 2)
- Gear + coupling moment of inertia : $J_G = 0.40 \times 10^{-4}$ kg · m²
- Feeding times: $n = 40$ times/min
- Feeding distance: $\ell = 0.275$ m
- Feeding time: $tm = 1.2$ s max.
- Friction coefficient: $\mu = 0.2$
- Mechanical efficiency: $\eta = 0.9$ (90%)

(1) Speed Diagram



$$t = \frac{60}{n} = \frac{60}{40} = 1.5 \text{ (s)}$$

where $ta = td$

$$ta = tm - \frac{60\ell}{v_L} = 1.2 - \frac{60 \times 0.275}{15} = 1.2 - 1.1 = 0.1 \text{ (s)}$$

$$tc = 1.2 - 0.1 \times 2 = 1.0 \text{ (s)}$$

(2) Rotation Speed

• Load axis rotation speed $n_L = \frac{v_L}{P_B} = \frac{15}{0.01} = 1500 \text{ (min}^{-1}\text{)}$

• Motor shaft rotation speed Gear ratio 1/R = 1/2 (R=2)
Therefore, $n_M = n_L \cdot R = 1500 \times 2 = 3000 \text{ (min}^{-1}\text{)}$

(3) Load torque

$$T_L = \frac{9.8\mu \cdot m \cdot P_B}{2\pi R \cdot \eta} = \frac{9.8 \times 0.2 \times 250 \times 0.01}{2\pi \times 2 \times 0.9} = 0.43 \text{ (N} \cdot \text{m)}$$

(4) Load Moment of Inertia

• Linear motion section $J_{L1} = m \left(\frac{P_B}{2\pi R} \right)^2 = 250 \times \left(\frac{0.01}{2\pi \times 2} \right)^2 = 1.58 \times 10^{-4} \text{ (kg} \cdot \text{m}^2\text{)}$

• Ball screw $J_B = \frac{\pi}{32} \rho \cdot \ell_B \cdot d_B^4 \cdot \frac{1}{R^2} = \frac{\pi}{32} \times 7.87 \times 10^3 \times 1.0 \times (0.02)^4 \cdot \frac{1}{2^2} = 0.31 \times 10^{-4} \text{ (kg} \cdot \text{m}^2\text{)}$

• Coupling $J_G = 0.40 \times 10^{-4} \text{ (kg} \cdot \text{m}^2\text{)}$

• Load moment of inertia at motor shaft $J_L = J_{L1} + J_B + J_G = (1.58 + 0.31 + 0.40) \times 10^{-4} = 2.29 \times 10^{-4} \text{ (kg} \cdot \text{m}^2\text{)}$

(5) Load Moving Power

$$P_O = \frac{2\pi n_M \cdot T_L}{60} = \frac{2\pi \times 3000 \times 0.43}{60} = 135 \text{ (W)}$$

Servomotor Capacity Selection Examples

(6) Load Acceleration Power

$$P_a = \left(\frac{2\pi}{60} n_M \right)^2 \frac{J_L}{t_a} = \left(\frac{2\pi}{60} \times 3000 \right)^2 \times \frac{2.29 \times 10^{-4}}{0.1} = 226 \text{ (W)}$$

(7) Servomotor Provisional Selection

- (a) Selecting Conditions
- $T_L \leq$ Motor rated torque
 - $\frac{(P_o + P_a)}{2} <$ Provisionally selected servomotor rated output $< (P_o + P_a)$
 - $n_M \leq$ Motor rated speed
 - $J_L \leq$ Allowable load moment of inertia

The followings satisfy the conditions.

- Servomotor SGMJV-02A

(b) Specifications of the Provisionally Selected Servomotor

- Rated output : 200 (W)
- Rated motor speed : 3000 (min^{-1})
- Rated torque : 0.637 ($\text{N}\cdot\text{m}$)
- Instantaneous peak torque : 2.23 ($\text{N}\cdot\text{m}$)
- Servomotor moment of inertia : 0.259×10^{-4} ($\text{kg}\cdot\text{m}^2$)
- Allowable load moment of inertia: $0.259 \times 10^{-4} \times 15 = 3.885 \times 10^{-4}$ ($\text{kg}\cdot\text{m}^2$)

(8) Verification on the Provisionally Selected Servomotor

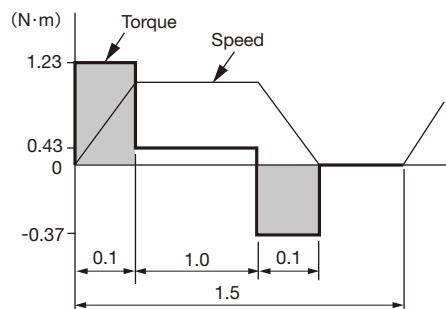
• Required acceleration torque: $T_P = \frac{2\pi n_M (J_M + J_L)}{60 t_a} + T_L = \frac{2\pi \times 3000 \times (0.259 + 2.29) \times 10^{-4}}{60 \times 0.1} + 0.43$
 $\doteq 1.23 \text{ (N}\cdot\text{m)} <$ Instantaneous peak torque \dots Satisfactory

• Required deceleration torque: $T_S = \frac{2\pi n_M (J_M + J_L)}{60 t_d} - T_L = \frac{2\pi \times 3000 \times (0.259 + 2.29) \times 10^{-4}}{60 \times 0.1} - 0.43$
 $\doteq 0.37 \text{ (N}\cdot\text{m)} <$ Instantaneous peak torque \dots Satisfactory

• Torque effective value: $T_{rms} = \sqrt{\frac{T_P^2 \cdot t_a + T_L^2 \cdot t_c + T_S^2 \cdot t_d}{t}} = \sqrt{\frac{(1.23)^2 \times 0.1 + (0.43)^2 \times 1.0 + (0.37)^2 \times 0.1}{1.5}}$
 $\doteq 0.483 \text{ (N}\cdot\text{m)} <$ Rated torque \dots Satisfactory

(9) Result

The provisionally selected servomotor is confirmed to be applicable.
 The torque diagram is shown below.

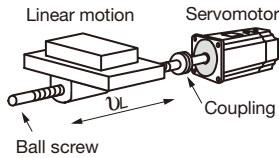


Servomotor Capacity Selection Examples

Use the AC servo drive capacity selection program SigmaSize+ to select servomotor capacity. The program can be downloaded for free from our web site (<http://www.e-mechatronics.com/>).

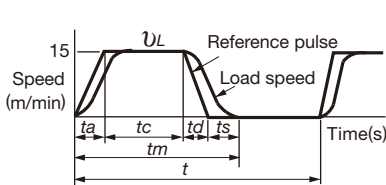
● Selection Example for Position Control

Mechanical Specifications



- Load speed: $v_L = 15$ m/min
- Linear motion section mass: $m = 80$ kg
- Ball screw length: $l_B = 0.8$ m
- Ball screw diameter: $d_B = 0.016$ m
- Ball screw lead: $P_B = 0.005$ m
- Ball screw material density: $\rho = 7.87 \times 10^3$ kg/m³
- Coupling mass: $m_C = 0.3$ kg
- Coupling outer diameter: $d_C = 0.03$ m
- Positioning times: $n = 40$ times/min
- Positioning distance: $l = 0.25$ m
- Positioning time: $t_m = 1.2$ s max.
- Electrical stop accuracy: $\delta = \pm 0.01$ mm
- Friction coefficient: $\mu = 0.2$
- Mechanical efficiency: $\eta = 0.9$ (90%)

(1) Speed Diagram



$$t = \frac{60}{n} = \frac{60}{40} = 1.5(\text{s})$$

$$\text{Where } t_a = t_d, t_s = 0.1(\text{s})$$

$$t_a = t_m - t_s - \frac{60l}{v_L} = 1.2 - 0.1 - \frac{60 \times 0.25}{15} = 0.1(\text{s})$$

$$t_c = 1.2 - 0.1 - 0.1 \times 2 = 0.9(\text{s})$$

(2) Rotation Speed

- Load axis rotation speed $n_L = \frac{v_L}{P_B} = \frac{15}{0.005} = 3000(\text{min}^{-1})$

- Motor shaft rotation speed with direct coupling: Gear ratio 1/R = 1/1

$$\text{Therefore, } n_M = n_L \cdot R = 3000 \times 1 = 3000 (\text{min}^{-1})$$

(3) Load Torque

$$T_L = \frac{9.8\mu \cdot m \cdot P_B}{2\pi R \cdot \eta} = \frac{9.8 \times 0.2 \times 80 \times 0.005}{2\pi \times 1 \times 0.9} = 0.139(\text{N} \cdot \text{m})$$

(4) Load Moment of Inertia

- Liner motion section $J_{L1} = m \left(\frac{P_B}{2\pi R} \right)^2 = 80 \times \left(\frac{0.005}{2\pi \times 1} \right)^2 = 0.507 \times 10^{-4}(\text{kg} \cdot \text{m}^2)$

- Ball screw $J_B = \frac{\pi}{32} \rho \cdot l_B \cdot d_B^4 = \frac{\pi}{32} \times 7.87 \times 10^3 \times 0.8 \times (0.016)^4 = 0.405 \times 10^{-4}(\text{kg} \cdot \text{m}^2)$

- Coupling $J_C = \frac{1}{8} m_C \cdot d_C^2 = \frac{1}{8} \times 0.3 \times (0.03)^2 = 0.338 \times 10^{-4}(\text{kg} \cdot \text{m}^2)$

- Load moment of inertia at the motor shaft

$$J_L = J_{L1} + J_B + J_C = 1.25 \times 10^{-4}(\text{kg} \cdot \text{m}^2)$$

(5) Load Moving Power

$$P_O = \frac{2\pi n_M \cdot T_L}{60} = \frac{2\pi \times 3000 \times 0.139}{60} = 43.7(\text{W})$$

(6) Load Acceleration Power

$$P_a = \left(\frac{2\pi}{60} n_M \right)^2 \frac{J_L}{t_a} = \left(\frac{2\pi}{60} \times 3000 \right)^2 \times \frac{1.25 \times 10^{-4}}{0.1} = 123.4(\text{W})$$

Servomotor Capacity Selection Examples

(7) Provisionally Servomotor Selection

(a) Selecting Conditions · $T_L \leq$ Motor rated torque

$$\cdot \frac{(P_o + P_a)}{2} < \text{Provisionally selected servomotor rated output} < (P_o + P_a)$$

$$\cdot n_M \leq \text{Motor rated speed}$$

$$\cdot J_L \leq \text{Allowable load moment of inertia}$$

The followings satisfy the conditions.

· Servomotor SGMJV-01A

(b) Specifications of Servomotor

- Rated output : 100 (W)
- Rated motor speed : 3000 (min^{-1})
- Rated torque : 0.318 ($\text{N} \cdot \text{m}$)
- Instantaneous peak torque : 1.11 ($\text{N} \cdot \text{m}$)
- Servomotor rotor moment of inertia : 0.0665×10^{-4} ($\text{kg} \cdot \text{m}^2$)
- Allowable load moment of inertia : $0.0665 \times 10^{-4} \times 20 = 1.33 \times 10^{-4}$ ($\text{kg} \cdot \text{m}^2$)
- Encoder resolution : 20 bit (1048576P/rev)

(8) Verification on Provisionally Selected Servomotor

$$\cdot \text{Required acceleration torque: } T_P = \frac{2\pi n_M (J_M + J_L)}{60ta} + T_L = \frac{2\pi \times 3000 \times (0.0665 + 1.25) \times 10^{-4}}{60 \times 0.1} + 0.139$$

$$\cong 0.552 (\text{N} \cdot \text{m}) < \text{Instantaneous peak torque} \dots \text{Satisfactory}$$

$$\cdot \text{Required deceleration torque: } T_S = \frac{2\pi n_M (J_M + J_L)}{60td} - T_L = \frac{2\pi \times 3000 \times (0.0665 + 1.25) \times 10^{-4}}{60 \times 0.1} - 0.139$$

$$\cong 0.275 (\text{N} \cdot \text{m}) < \text{Instantaneous peak torque} \dots \text{Satisfactory}$$

$$\cdot \text{Torque effective value: } T_{rms} = \sqrt{\frac{T_P^2 \cdot ta + T_L^2 \cdot tc + T_S^2 \cdot td}{t}} = \sqrt{\frac{(0.552)^2 \times 0.1 + (0.139)^2 \times 0.9 + (0.275)^2 \times 0.1}{1.5}}$$

$$\cong 0.192 (\text{N} \cdot \text{m}) < \text{Rated torque} \dots \text{Satisfactory}$$

The above confirms that the provisionally selected servomotor is sufficient. In the next step, their performance in position control are checked.

(9) Position Detection Resolution

Position detection unit uses a $\Delta \ell = 0.01$ mm/pulse.

The number of pulses per motor rotation must be less than resolution of the encoder (P/rev).

$$\text{The number of pulses per revolution (pulse)} = \frac{PB}{\Delta \ell} = \frac{5 \text{ mm}}{0.01 \text{ mm}} = 500 < \text{encoder resolution [1048576 (P/rev)]}$$

(10) Reference Pulse Frequency

$$v_S = \frac{1000v_L}{60 \times \Delta \ell} = \frac{1000 \times 15}{60 \times 0.01} = 25,000(\text{pps})$$

Confirm that the maximum input pulse frequency* is greater than the reference pulse frequency.

*: Refer to 1.3.3 Speed/Position/Torque Control of Σ -V Series USER'S MANUAL Design and Maintenance (manual no. SIEP S800000 45).

The above results confirm that the selected servomotor is applicable for the position control.

Selecting Regenerative Resistors

(1) Simple Calculation

When driving a servomotor with the horizontal axis, check the external regenerative resistor requirements using the calculation method shown below.

(a) SGD V-□□□F, -R70A, -R90A, -1R6A, and -2R8A SERVOPACKs

These SERVOPACKs do not have built-in regenerative resistors. The energy that can be charged with capacitors is shown in the following table. If the rotational energy in the servomotor exceeds these values, then connect an external regenerative resistor.

Voltage	Applicable SERVOPACK	Regenerative Energy that Can be Processed (joules)	Remarks
Single-phase 100 V	SGDV-R70F, R90F, 2R1F	26.4	Value when main circuit input voltage is 100 VAC
	SGDV-2R8F	44.1	
Three-phase 200V	SGDV-R70A, -R90A, -1R6A	24.2	Value when main circuit input voltage is 200 VAC
	SGDV-2R8A	31.7	

Calculate the rotational energy (E_s) in the servomotor from the following equation:

$$E_s = J \times (n_M)^2 / 182 \text{ (joules)}$$

$$\bullet J = J_M + J_L$$

$$\bullet J_M : \text{Servomotor rotor moment of inertia (kg} \cdot \text{m}^2\text{)}$$

$$\bullet J_L : \text{Load converted to shaft moment of inertia (kg} \cdot \text{m}^2\text{)}$$

$$\bullet n_M : \text{Rotation speed used by servomotor (min}^{-1}\text{)}$$

(b) SGD V-3R8A, -5R5A, -7R6A, -120A, -180A, -200A, -330A, -1R9D, -3R5D, -5R4D, -8R4D, -120D, -170D SERVOPACKs

These SERVOPACKs have built-in regenerative resistors. The allowable frequencies for just the servomotor in acceleration and deceleration operation, during the rotation speed cycle from 0 (min^{-1}) to the maximum rotation speed to 0, are summarized in the following table.

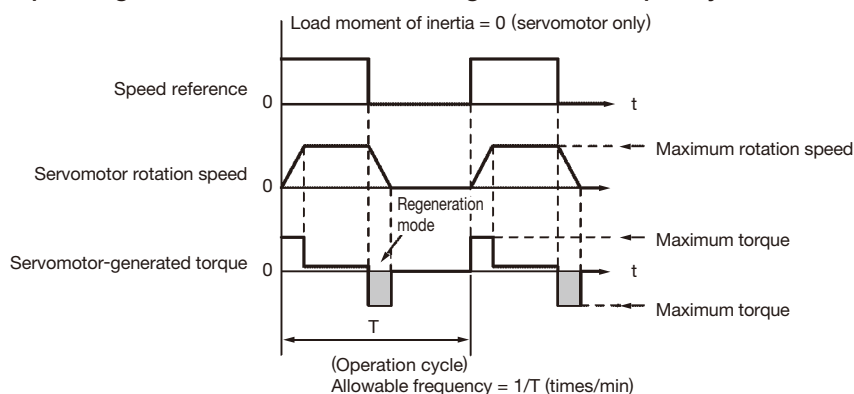
Convert the data into the values obtained with actual rotation speed and load moment of inertia to determine whether an external regenerative resistor is needed.

Voltage	Servomotor Model	Allowable Frequencies in Regenerative Mode (time/min)													
		03	05	06	08	09	10	13	15	20	25	30	40	44	50
Three-phase 200 V	SGMJV-□□	-	-	36	15	-	-	-	-	-	-	-	-	-	-
	SGMAV-□□	-	-	74	31	-	20	-	-	-	-	-	-	-	-
	SGMPS-□□	-	-	-	11	-	-	-	7	-	-	-	-	-	-
	SGMGV-□□A	39	29	-	-	6	-	6	-	7	-	9*	-	6	-
Three-phase 400V	SGMSV-□□A	-	-	-	-	-	13	-	21	28	21	10	16	-	12
	SGMGV-□□D	68	51	-	-	10	-	8	-	13	-	7	-	6	-
	SGMSV-□□D	-	-	-	-	-	24	-	30	49	38	17	16	-	12

*: This value is "4," when used in combination with SGD V-200A SERVOPACK.

Selecting Regenerative Resistors

Operating Conditions for Allowable Regenerative Frequency Calculation



Use the following equation to calculate the allowable frequency for regeneration mode operation

$$\text{Allowable frequency} = \frac{\text{Allowable frequency for Servomotor only}}{(1+n)} \times \left(\frac{\text{Max. rotation speed}}{\text{Rotation speed}} \right)^2 \text{ (time/min)}$$

$$\cdot n = J_L / J_M$$

· J_M : Servomotor rotor moment of inertia ($\text{kg} \cdot \text{m}^2$)

· J_L : Load converted to shaft moment of inertia ($\text{kg} \cdot \text{m}^2$)

(c) SGD V-470A, -550A, -590A, -780A, -210D, -260D, -280D, -370D SERVOPACKs

These SERVOPACKs do not have built-in regenerative resistors. The following table shows the allowable regenerative frequencies when the JUSP-RA04-E, JUSP-RA05-E, JUSP-RA18-E or JUSP-RA19-E regenerative resistor is used together with an applicable SERVOPACK.

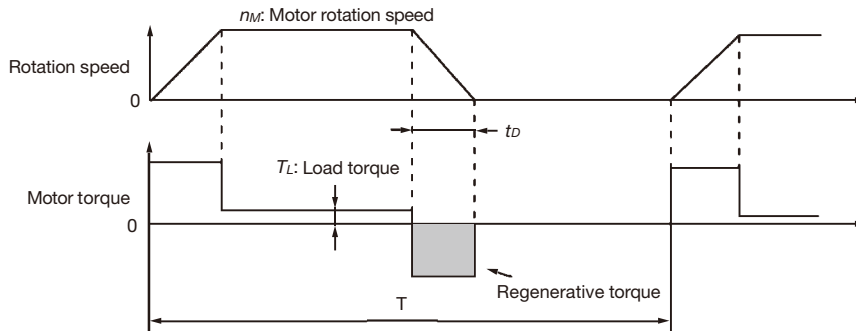
The servomotor driving conditions and the conversion equation for the allowable regenerative frequencies to the rotation speed and load moment of inertia are the same as that shown in (b) on the previous page.

Voltage	Servomotor Model	Allowable Frequencies in Regenerative Mode (time/min)				
		55	70	75	1A	1E
Three-phase 200 V	SGMGV-□□A	24	–	34	39	31
	SGMSV-□□A	–	124	–	–	–
Three-phase 400 V	SGMGV-□□D	24	–	17	39	31

Selecting Regenerative Resistors

(2) Calculating the Regenerative Energy

This section shows the procedure for calculating the regenerative resistor capacity when acceleration and deceleration operation is as shown in the following diagram



● Calculation Procedure

The procedure for calculating the regenerative capacity is as follows:

Step	Item	Symbol	Equation
1	Calculate the rotational energy of the servomotor.	E_s	$E_s = Jn_M^2 / 182$
2	Calculate the energy consumed by load loss during the deceleration period	E_L	$E_L = (\pi/60)n_M T_L t_D$
3	Calculate the energy lost from servomotor winding resistance.	E_M	(Value calculated from (4) <i>Servomotor Winding Resistance Loss</i> diagrams) $\times t_D$
4	Calculate the SERVOPACK energy that can be absorbed.	E_C	Calculate from (3) <i>SERVOPACK's Absorbable Energy</i> diagrams.
5	Calculate the energy consumed by the regenerative resistor.	E_K	$E_K = E_s - (E_L + E_M + E_C)$
6	Calculate the required regenerative resistor capacity (W).	W_K	$W_K = E_K / (0.2 \times T)$

Notes: 1 The "0.2" in the equation for calculating W_K is the value for when the regenerative resistor's utilized load ratio is 20%.

2 The units for the various symbols are as follows:

E_s to E_K : Energy joules (J)

W_K : Regenerative resistor required capacity (W)

J : ($=J_M + J_L$)(kg·m²)

n_M : Servomotor rotation speed (min⁻¹)

T_L : Load torque (N·m)

t_D : Deceleration stopping time (s)

T : Servomotor repeat operation period (s)

If the value of W_K does not exceed the capacity of the built-in regenerative register of the SERVOPACK, no external regenerative register is required. For details on the built-in regenerative resistors, refer to *Specifications of Built-in Regenerative Resistors* on page 376. If the value of W_K exceeds the capacity of the built-in regenerative register, install an external regenerative register with a capacity equal to the value for W_K calculated in the six steps.

If the energy consumed by load loss (see step 2) is unknown, set E_L to "0" when calculating.

When the operation period in regeneration mode is continuous, add the following items to the above calculation procedure in order to find the required capacity (W) for the regenerative resistor.

- Energy for continuous regeneration mode operation period: E_G (joules)
- Energy consumed by regenerative resistor: $E_K = E_s - (E_L + E_M + E_C) + E_G$
- Required capacity of regenerative resistor: $W_K = E_K / (0.2 \times T)$

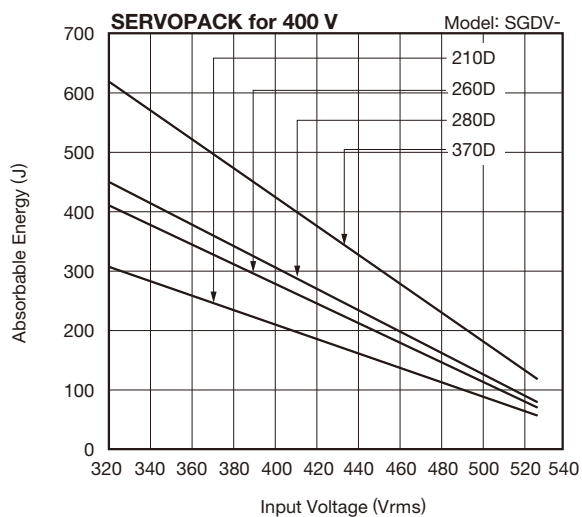
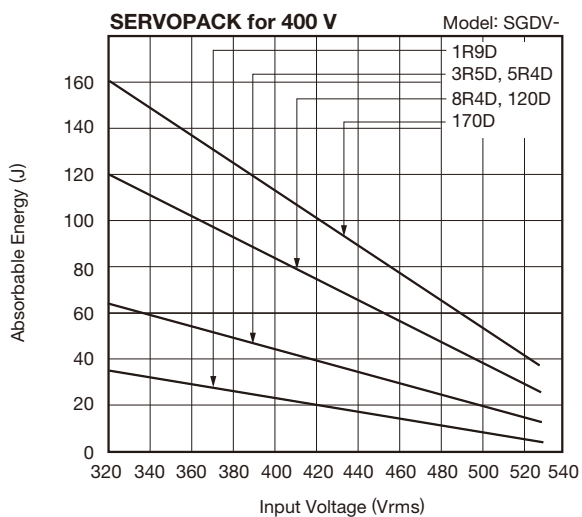
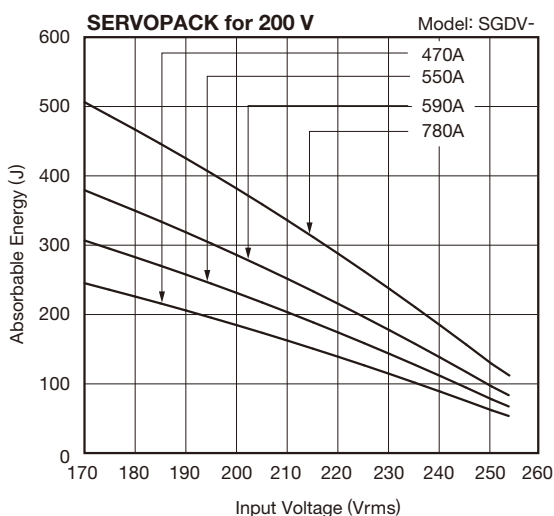
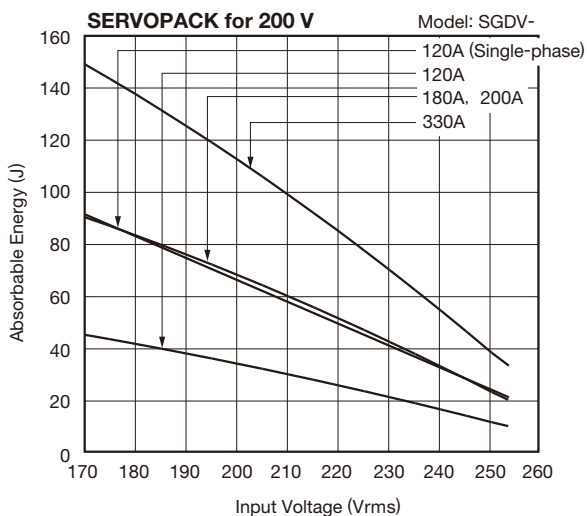
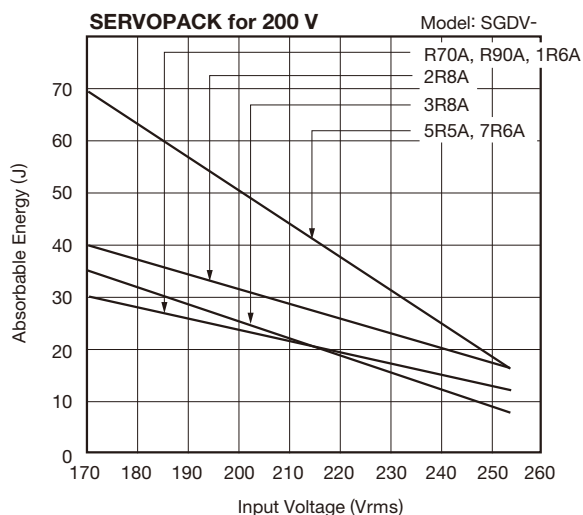
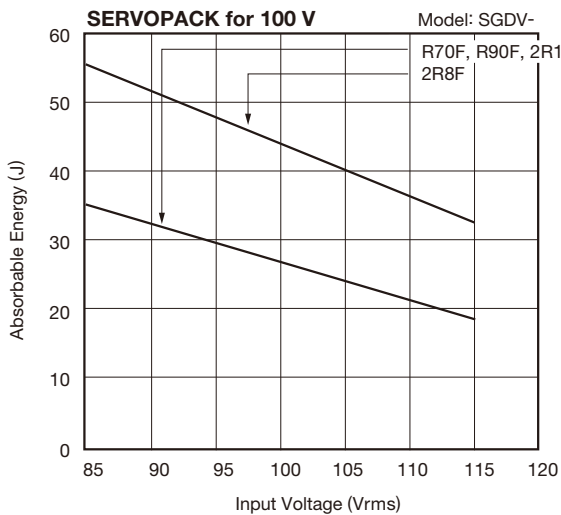
Here, $E_G = (2\pi/60) n_{MG} T_G t_G$

- T_G : Servomotor's generated torque in continuous regeneration mode operation period (N·m)
- n_{MG} : Servomotor rotation speed for same operation period as above (min⁻¹)
- t_G : Same operation period as above(s)

Selecting Regenerative Resistors

(3) SERVOPACK's Absorbable Energy

The following diagrams show the relationship between the SERVOPACK's input power supply voltage and its absorbable energy.

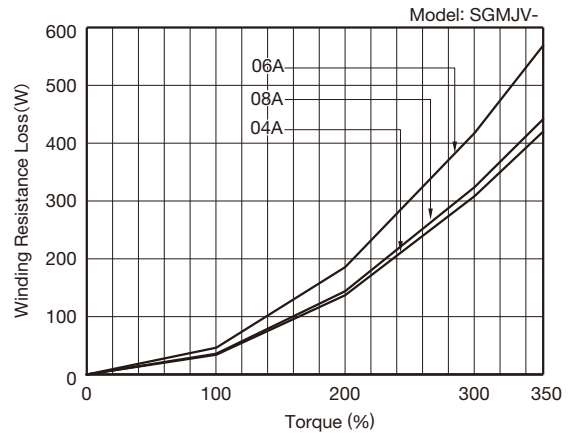
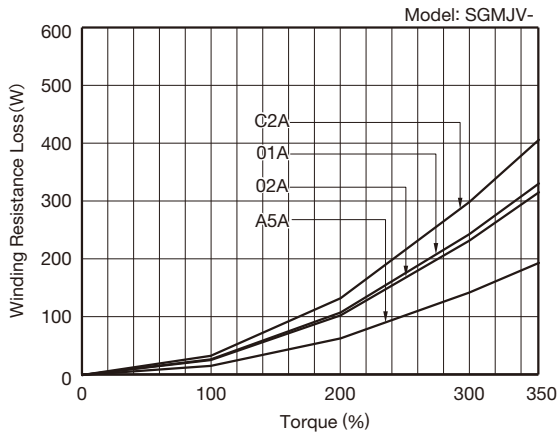


Selecting Regenerative Resistors

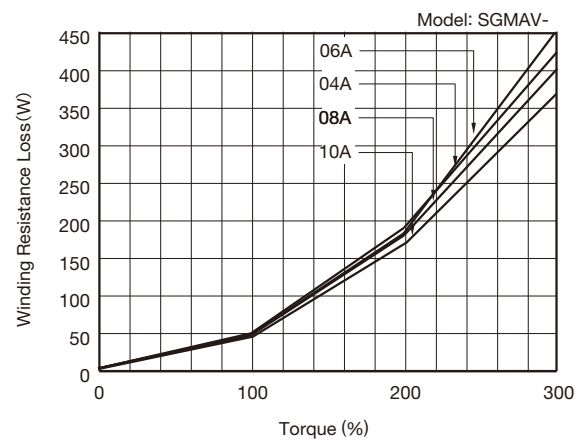
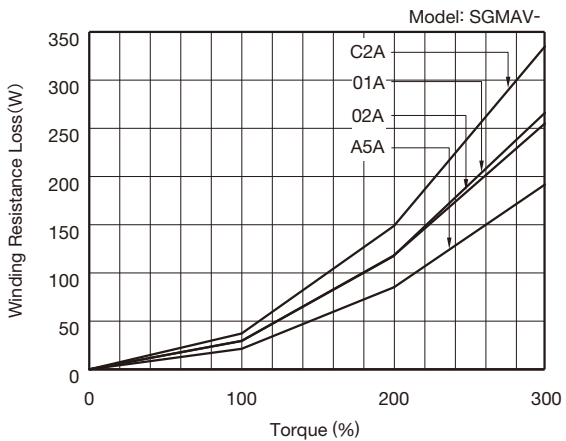
(4) Servomotor Winding Resistance Loss

The following diagrams show the relationship, for each servomotor, between the servomotor's generated torque and the winding resistance loss.

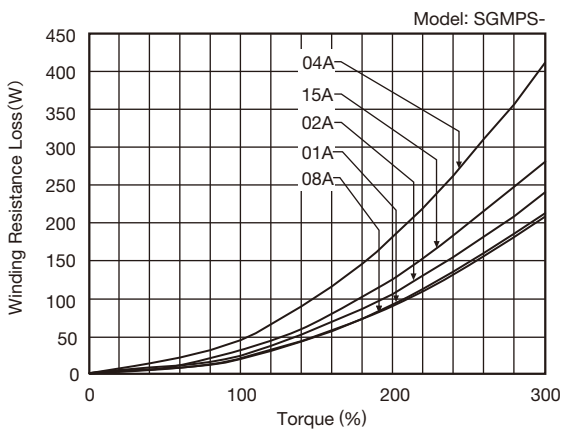
(a) SGMJV Rotary Servomotors



(b) SGMAV Rotary Servomotors

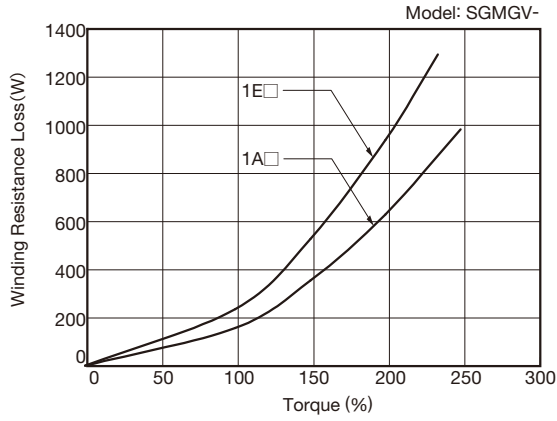
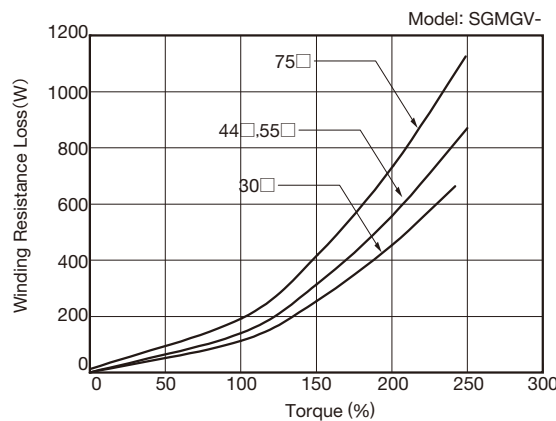
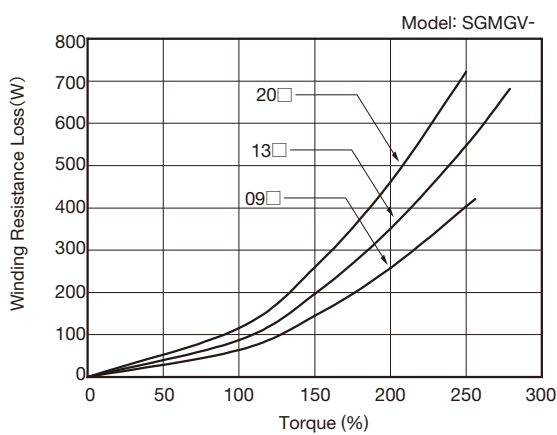
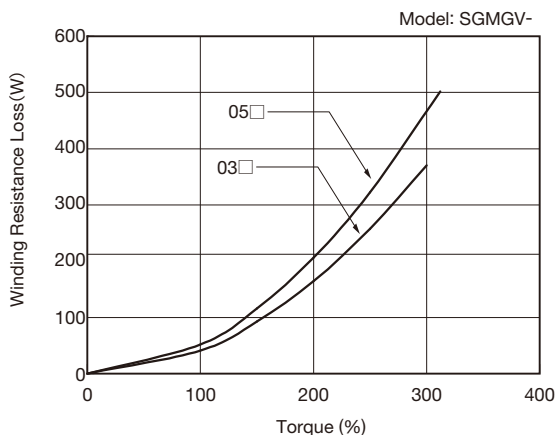


(c) SGMPS Rotary Servomotors

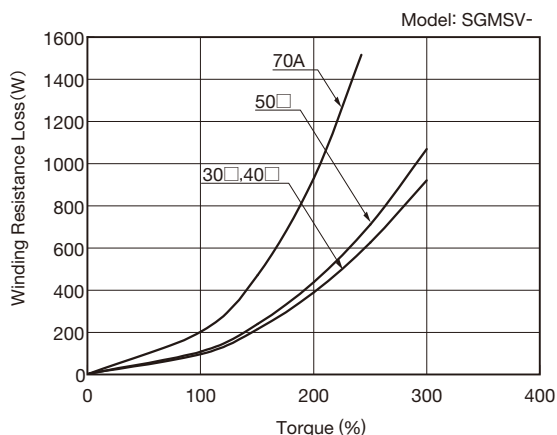
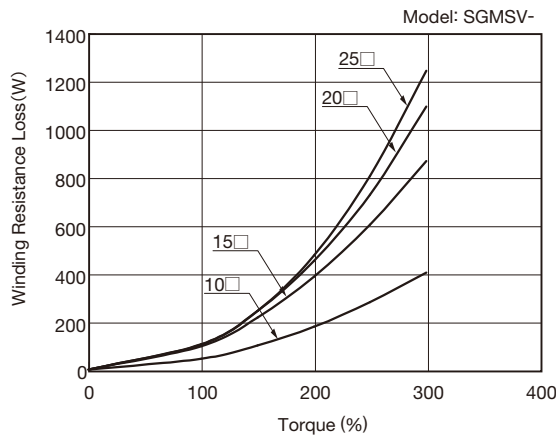


Selecting Regenerative Resistors

(d) SGMGV Rotary Servomotors



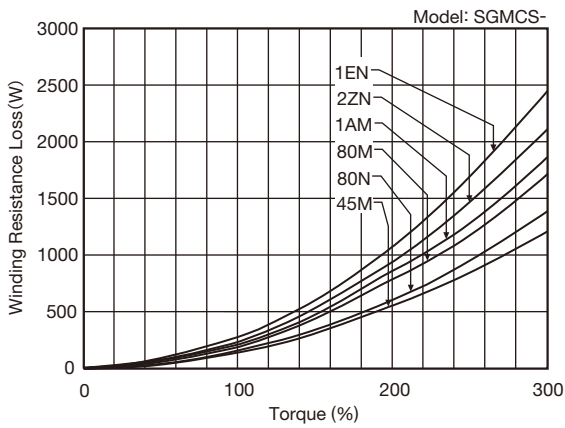
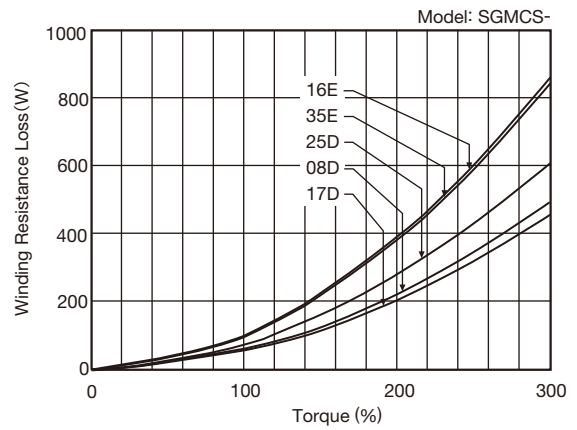
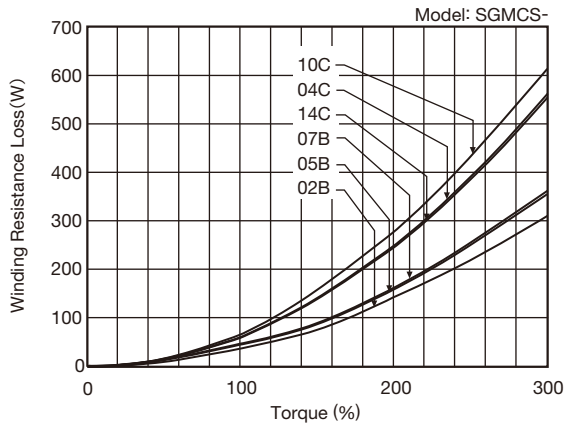
(e) SGMSV Rotary Servomotors



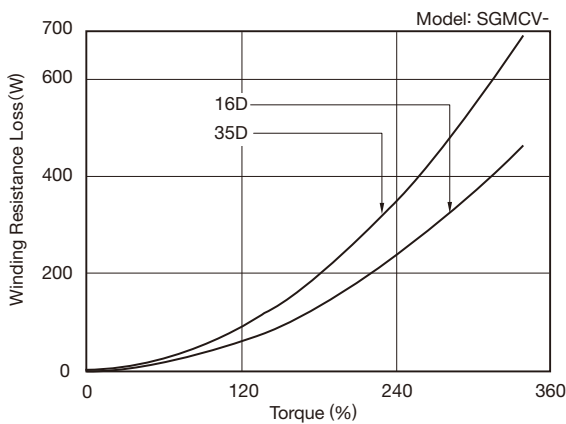
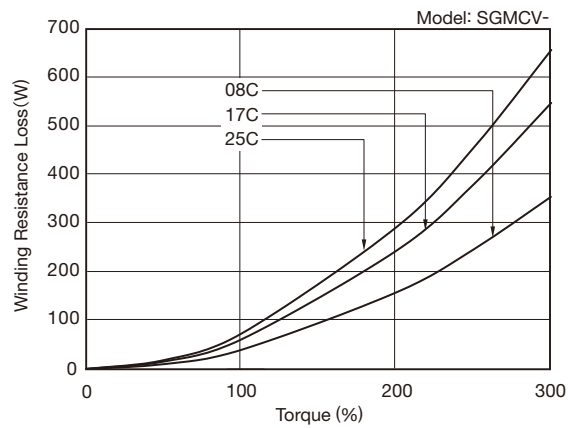
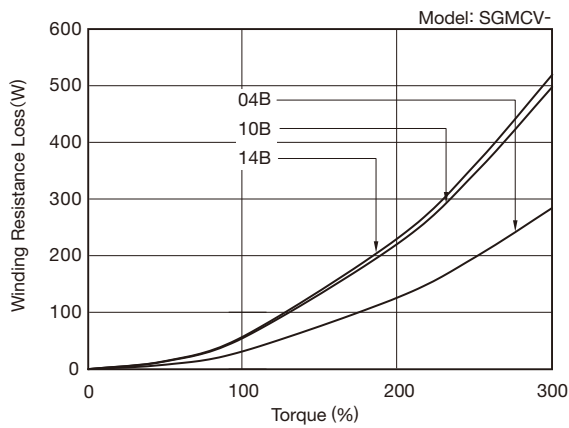
Selecting Servomotor Capacity and Regenerative Capacity

Selecting Regenerative Resistors

(f) SGMCS Direct Drive Servomotors

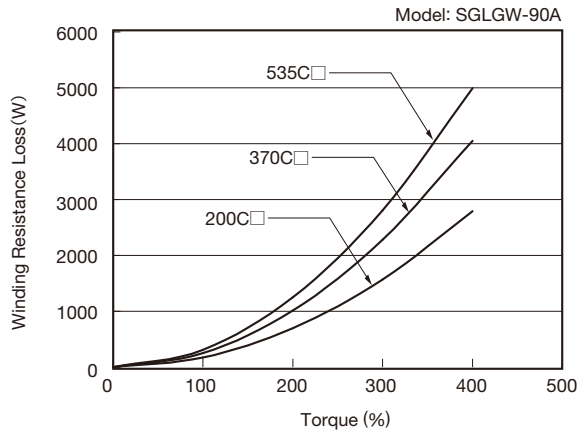
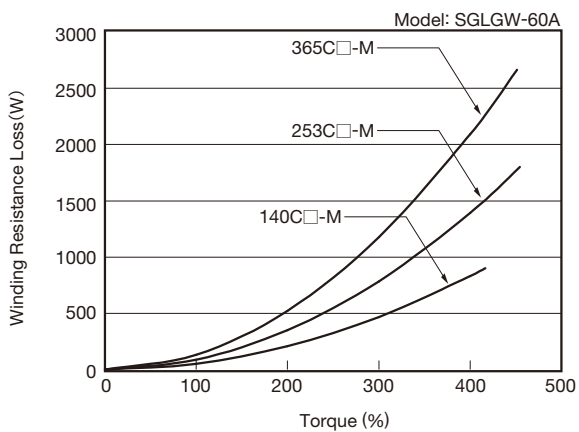
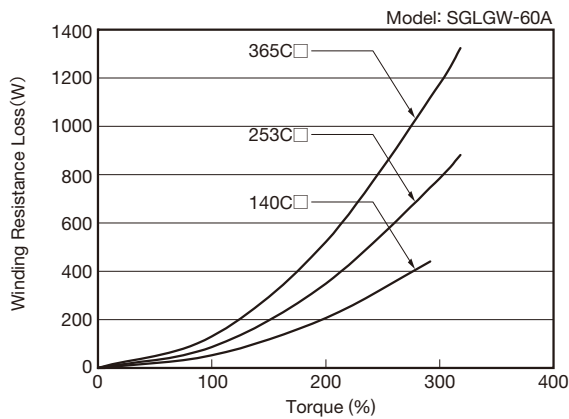
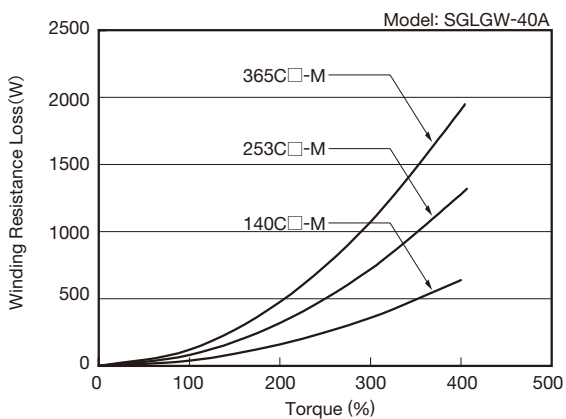
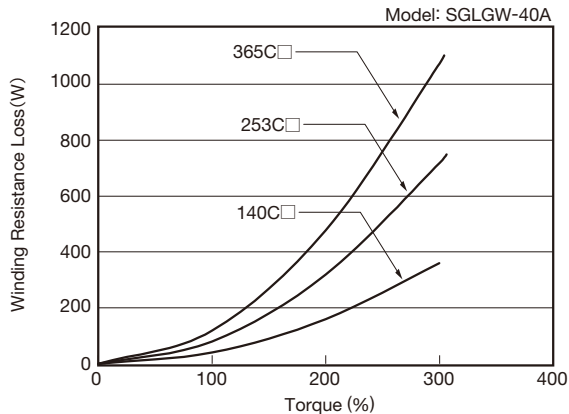
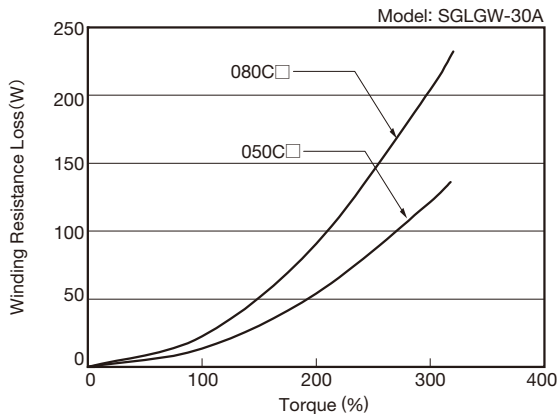


(g) SGMCV Direct Drive Servomotors



Selecting Regenerative Resistors

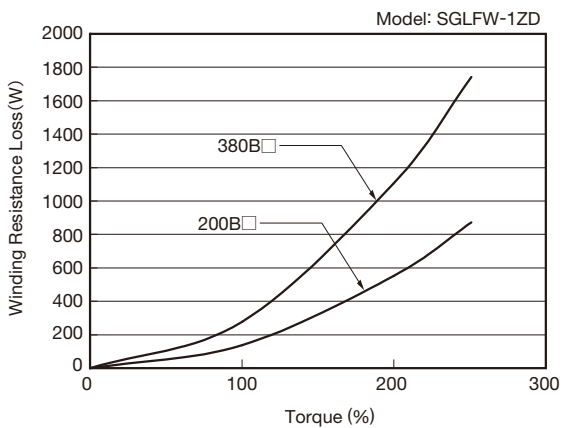
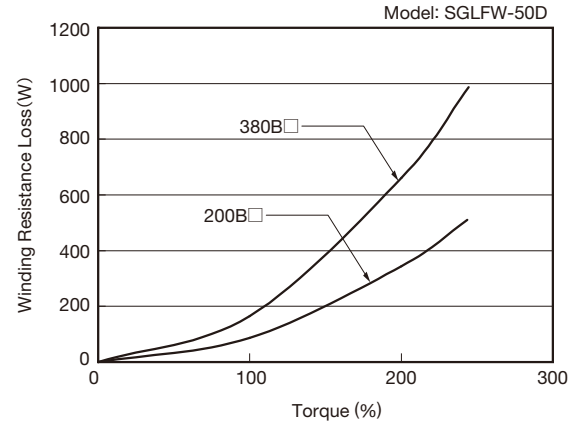
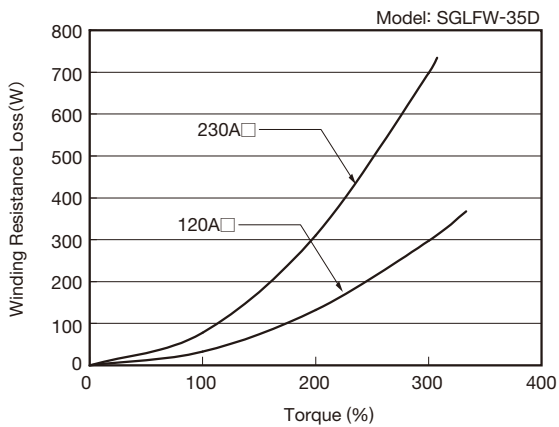
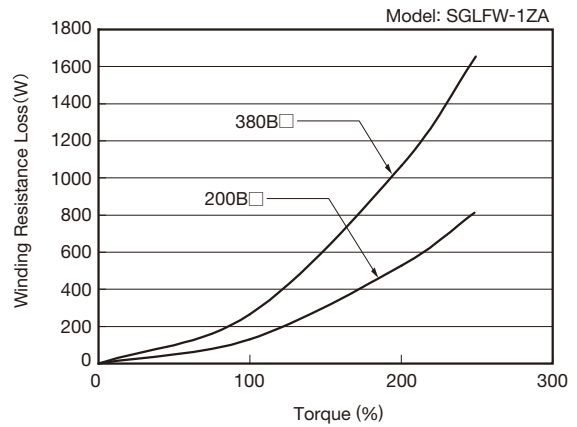
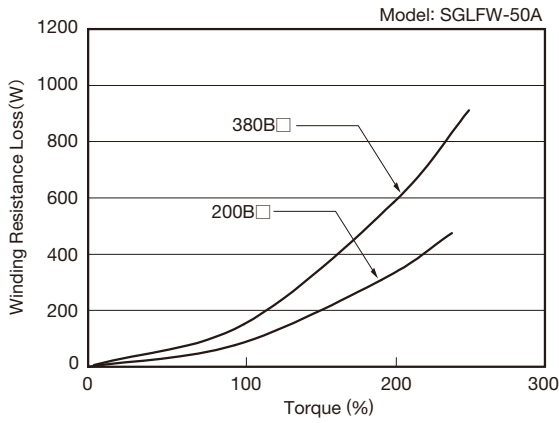
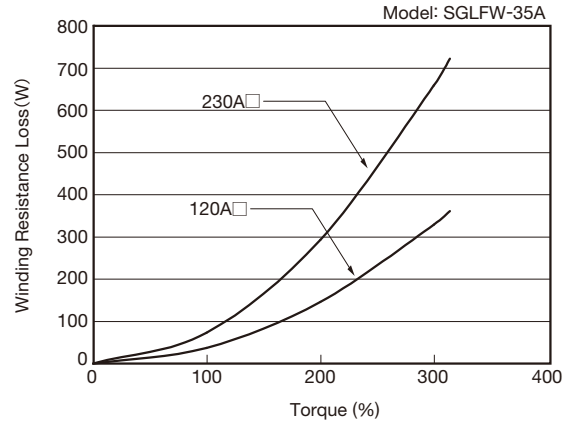
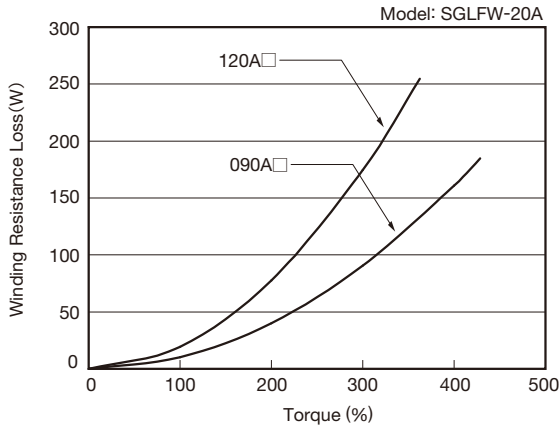
(h) SGLGW Linear Servomotors



Selecting Servomotor Capacity and Regenerative Capacity

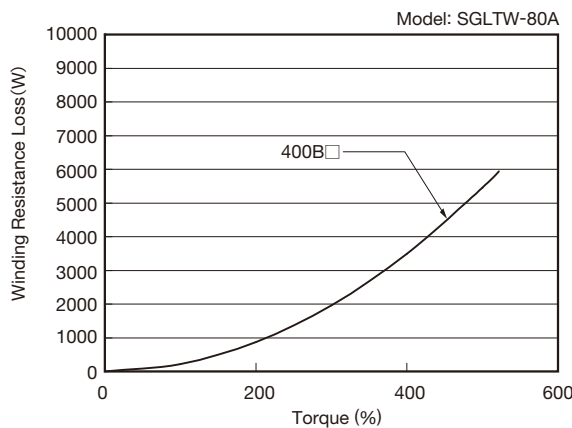
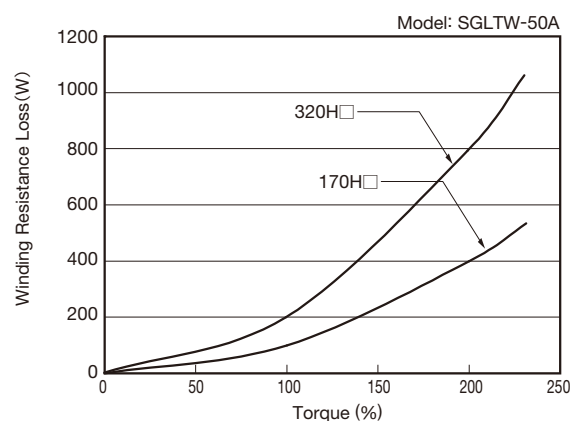
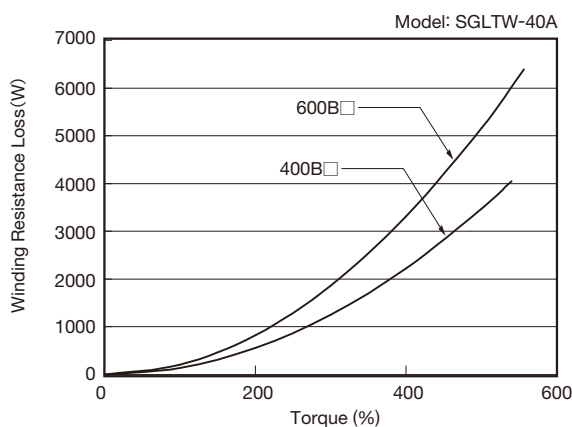
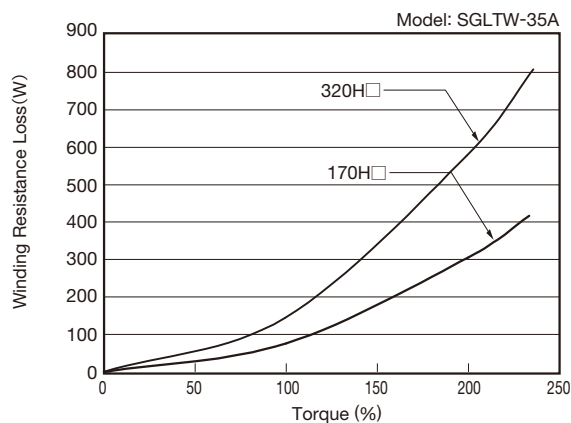
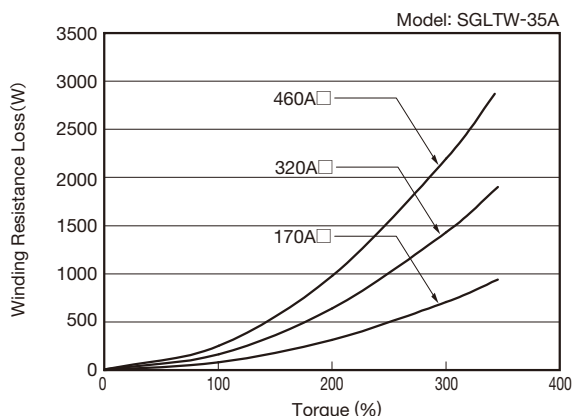
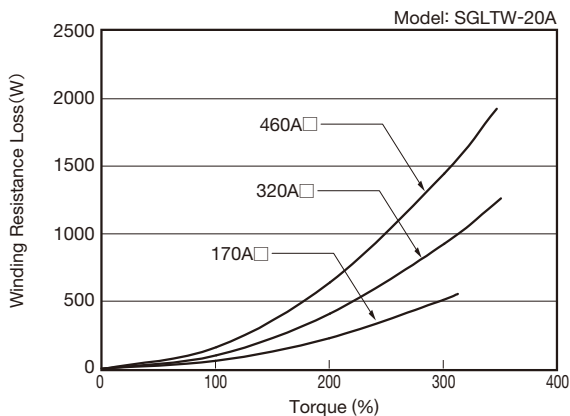
Selecting Regenerative Resistors

(i) SGLFW Linear Servomotors



Selecting Regenerative Resistors

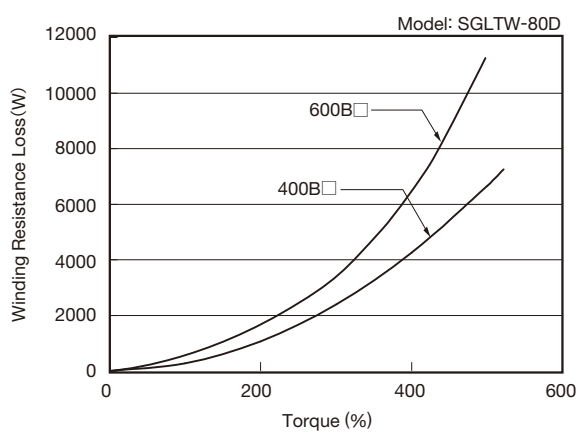
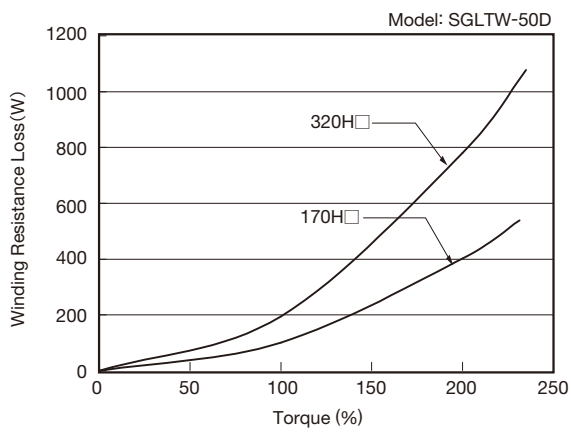
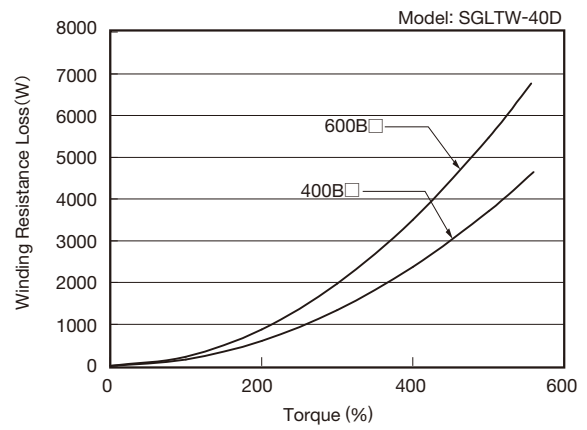
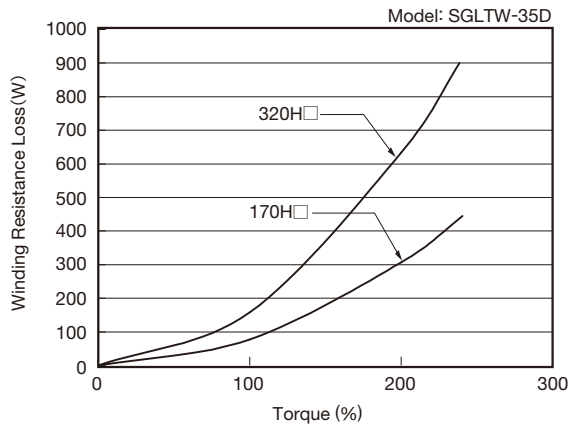
(j) SGLTW Linear Servomotors



Selecting Servomotor Capacity and Regenerative Capacity

Selecting Regenerative Resistors

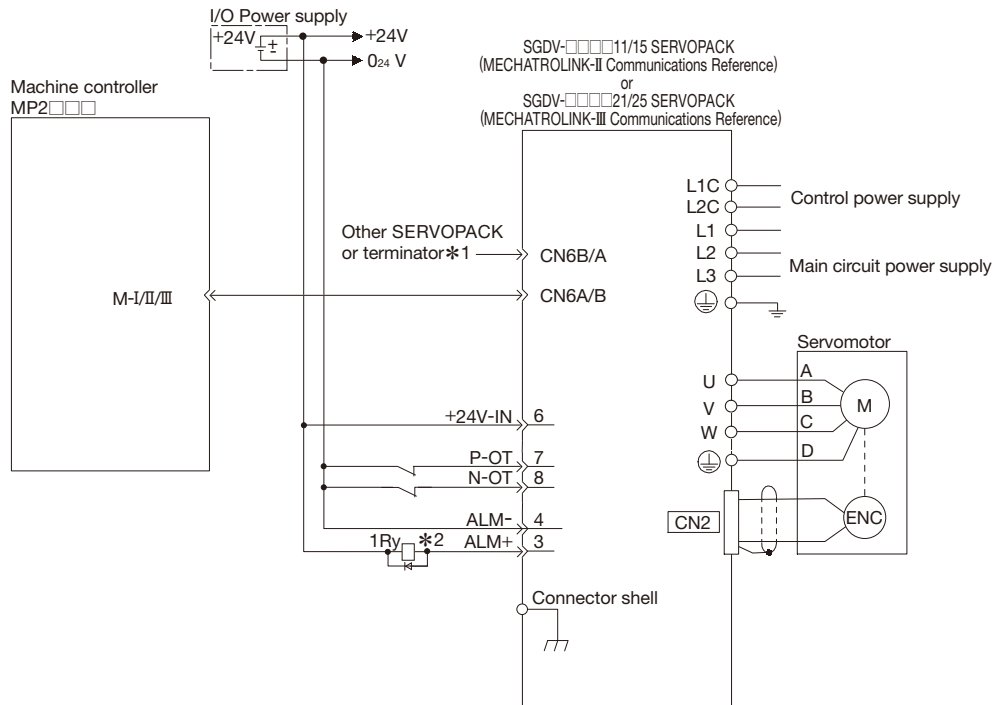
(j) SGLTW Linear Servomotors (cont'd)





Connection to Host Controller

Example of Connection to Machine Controller MP2□□□



*1: A terminator is not required when using a MECHATROLINK-III Communications Reference SERVOPACK.

*2: The ALM signal is output for five seconds or less when the power is turned ON. Take this into consideration when designing the power ON sequence. The ALM signal actuates the alarm detection relay "1Ry" to stop the main circuit power supply to the SERVOPACK.

Notes: 1 Only signals applicable to Machine Controller MP2□□□ and Yaskawa's SGDV SERVOPACK are shown in the diagram.

2 The main circuit power supply is a three-phase 200 VAC SERVOPACK input in the example.

3 Note that incorrect connection will cause damage to the Machine Controller and SERVOPACK. Take particular care to wire correctly.

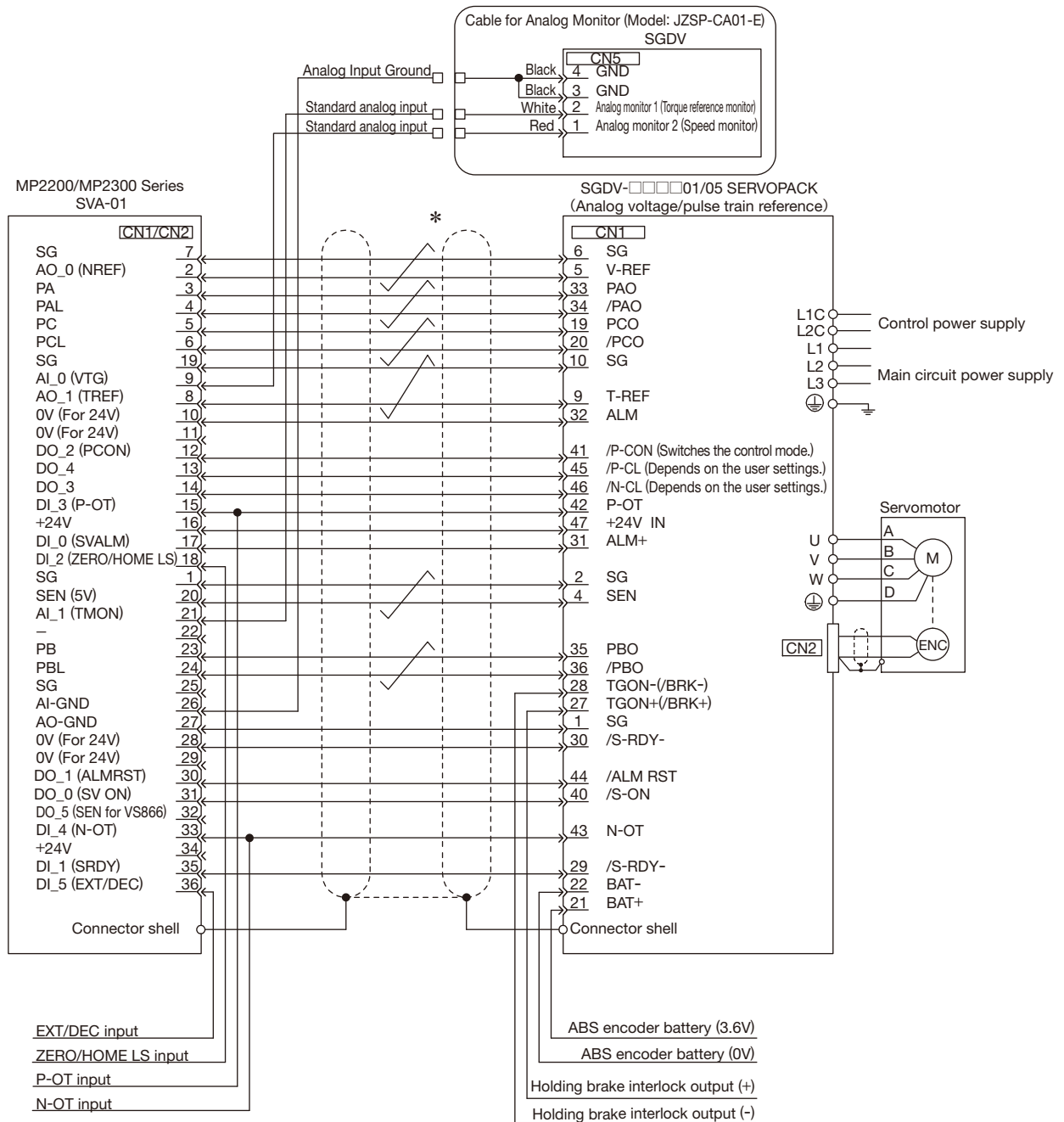
4 Open the signal lines not to be used.

5 The above connection diagram shows only X-axis connection. When using another axes, make connection to the SERVOPACK in the same way.

6 The normally closed (N.C.) input terminals not to be used at the Machine Controller I/O connector section must be short-circuited at the connector.

7 The SERVOPACK has a built-in safety function to protect prevent anyone in the vicinity from being injured by unexpected motion. But, in order to use the function, the circuit for CN8 is required to be configured. When not using the function, use SERVOPACKs with the Safety Jumper Connector connected.

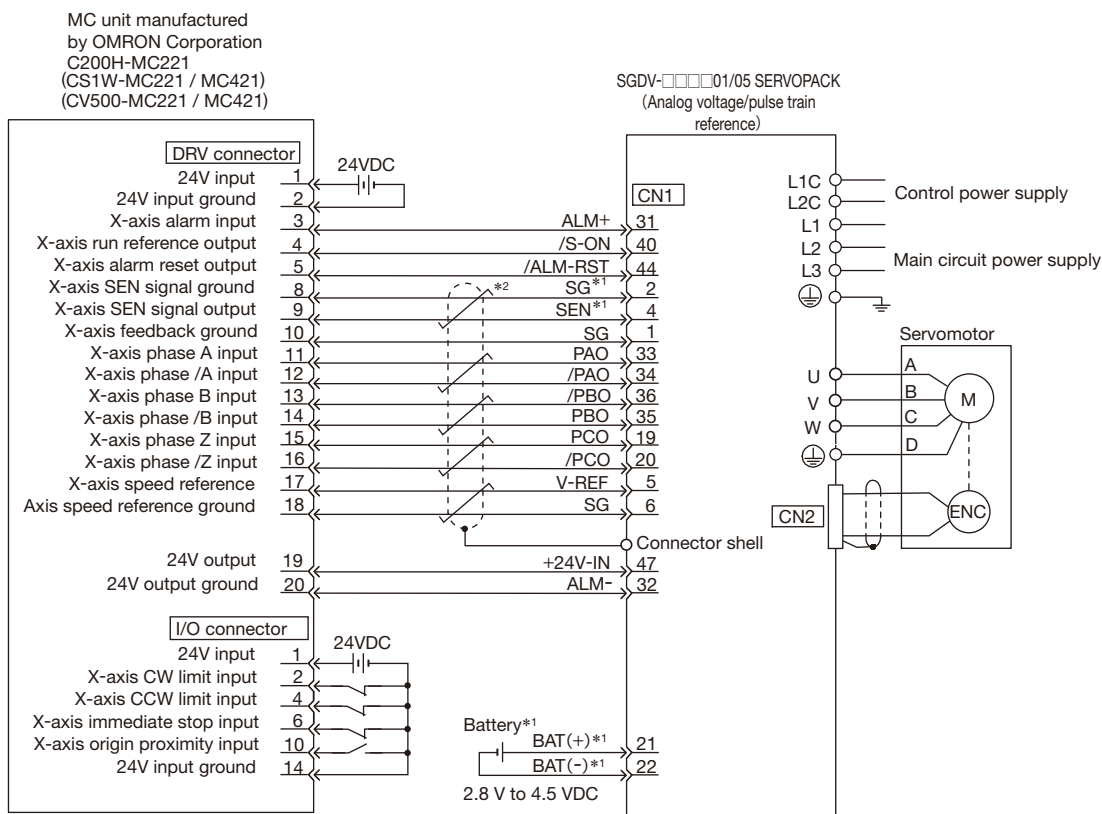
Example of Connection to SVA-01 Motion Module for MP2200/MP2300



*: represents shielded twisted-pair wires.

- Notes:
- 1 Connection cables (model: JEPMC-W2040-□□) to connect the SERVOPACK to the MP2200/MP2300 are provided by Yaskawa.
 - 2 Only signals applicable to MP2200 / MP2300 Motion Module SVA-01 and Yaskawa's SGD SERVOPACK are shown in the diagram.
 - 3 The main circuit power supply is a three-phase 200 VAC SERVOPACK input in the example.
 - 4 Note that incorrect connection will cause damage to the Machine Controller and SERVOPACK. Take particular care to wire correctly.
 - 5 Open the signal lines not to be used.
 - 6 The above connection diagram shows only X-axis connection. When using another axes, make connection to the SERVOPACK in the same way.
 - 7 The normally closed (N.C.) input terminals not to be used at the Machine Controller I/O connector section must be short-circuited at the connector.
 - 8 Make the setting so that the servo can be turned ON/OFF by the /S-ON signal.
 - 9 The SERVOPACK has a built-in safety function to protect prevent anyone in the vicinity from being injured by unexpected motion. But, in order to use the function, the circuit for CN8 is required to be configured. When not using the function, use SERVOPACKS with the Safety Jumper Connector connected.

Example of Connection to OMRON's Motion Control Unit



*1: Use a battery when using an absolute encoder.

No battery is needed for CN1 (between 21, 22) when using an encoder cable with a battery.

- Battery for CN1 : ER6VC3N (3.6 V, 2000 mA)
- Battery for battery unit : JZSP-BA01 (3.6 V, 1000 mA)

*2:  represents shielded twisted-pair wires.

Notes: 1 Only signals applicable to OMRON Corporation's MC unit and Yaskawa's SGDV SERVOPACK are shown in the diagram.

2 The main circuit power supply is a three-phase 200 VAC SERVOPACK input in the example.

3 Note that incorrect connection will cause damage to the MC unit and SERVOPACK.

Take particular care to wire correctly.

4 Open the signal lines not to be used.

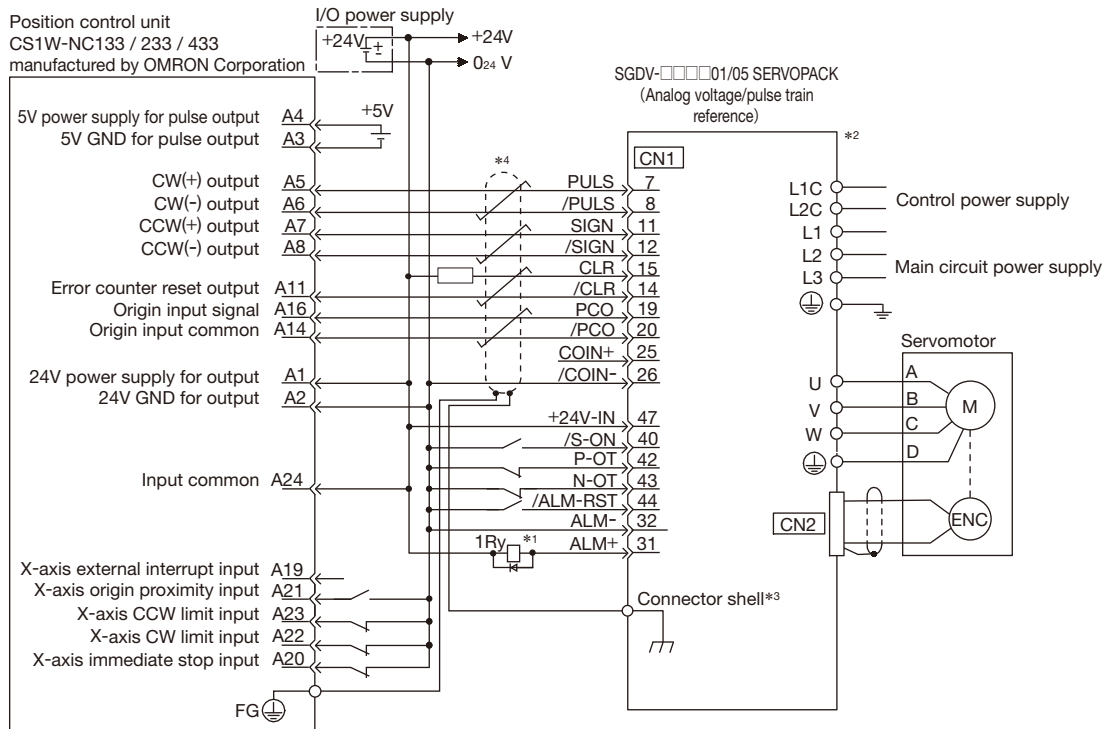
5 The above connection diagram shows only X-axis connection. When using another axes, make connection to the SERVOPACK in the same way.

6 The normally closed (N.C.) input terminals not to be used at the motion control unit I/O connector section must be short-circuited at the connector.

7 Make the setting so that the servo can be turned ON/OFF by the /S-ON signal.

8 The SERVOPACK has a built-in safety function to prevent anyone in the vicinity from being injured by unexpected motion. But, in order to use the function, the circuit for CN8 is required to be configured. When not using the function, use SERVOPACKs with the Safety Jumper Connector connected.

Example of Connection to OMRON's Position Control Unit



*1: The ALM signal is output for five seconds or less when the power is turned ON. Take this into consideration when designing the power ON sequence. The ALM signal actuates the alarm detection relay "1Ry" to stop the main circuit power supply to the SERVOPACK.

*2: Set parameter Pn200.0 = 1 or 6.

*3: Connect the shield wire to the connector shell.

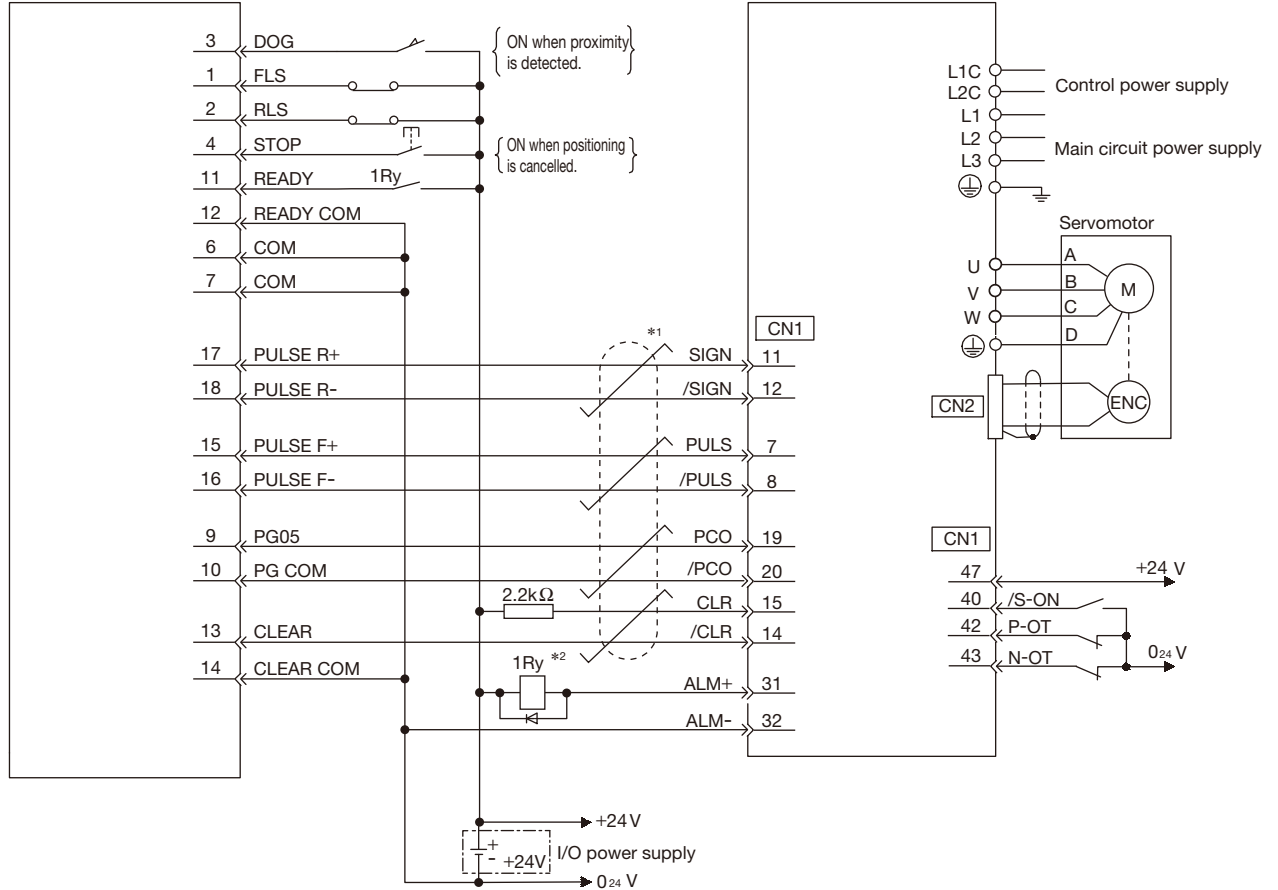
*4:  represents shielded twisted-pair wires.

- Notes: 1 Only signals applicable to OMRON Corporation's position control unit and Yaskawa's SGD7 SERVOPACK are shown in the diagram.
 2 The main circuit power supply is a three-phase 200 VAC SERVOPACK input in the example.
 3 Note that incorrect connection will cause damage to the position control unit and SERVOPACK. Take particular care to wire correctly.
 4 Open the signal lines not to be used.
 5 The above connection diagram shows only X-axis connection. When using another axes, make connection to the SERVOPACK in the same way.
 6 The normally closed (N.C.) input terminals not to be used at the position control unit I/O connector section must be short-circuited at the connector.
 7 Make the setting so that the servo can be turned ON/OFF by the /S-ON signal.
 8 The SERVOPACK has a built-in safety function to prevent anyone in the vicinity from being injured by unexpected motion. But, in order to use the function, the circuit for CN8 is required to be configured. When not using the function, use SERVOPACKs with the Safety Jumper Connector connected.

Example of Connection to Mitsubishi's QD75D Positioning Unit (SERVOPACK in Position Control)

Positioning unit
QD75D manufactured
by Mitsubishi
Electric Corporation

SGDV-000001/05 SERVOPACK
(Analog voltage/pulse train
reference)



*1: represents shielded twisted-pair wires.

*2: The ALM signal is output for five seconds or less when the power is turned ON. Take this into consideration when designing the power ON sequence. The ALM signal actuates the alarm detection relay "1Ry" to stop the main circuit power supply to the SERVOPACK.

Notes: 1 Only signals applicable to Mitsubishi Electric Corporation's QD75D positioning unit and Yaskawa's SGDV SERVOPACK are shown in the diagram.

2 The main circuit power supply is a three-phase 200 VAC SERVOPACK input in the example.

3 Note that incorrect connection will cause damage to the positioning unit and SERVOPACK. Take particular care to wire correctly.

4 Open the signal lines not to be used.

5 The above connection diagram shows only X-axis connection. When using another axes, make connection to the SERVOPACK in the same way.

6 The normally closed (N.C.) input terminals not to be used at the positioning unit I/O connector section must be short-circuited at the connector.



7 Make the setting so that the servo can be turned ON/OFF by the /S-ON signal.



8 The SERVOPACK has a built-in safety function to prevent anyone in the vicinity from being injured by unexpected motion. But, in order to use the function, the circuit for CN8 is required to be configured. When not using the function, use SERVOPACKs with the Safety Jumper Connector connected.





International Standards

● : Certified, ○ : Complied, - : Not Certified

	Series	UL Standards	EU Directives		
				RoHS Directives	Safety Standards
SERVOPACK	SGDV	●	○	○	○*2
Optional Modules for SERVOPACKs	INDEXER Module	●	○	○	○*6
	DeviceNet Module	●	○	○	○*6
	Fully-closed Module	●	○	○	○*6
	Safety Module	●	○	○	○*2

	Series	UL Standards	EU Directives	
				RoHS Directives
Servomotors	SGMMV	●*3	○	○
	SGMJV	●	○	○
	SGMAV	●	○	○
	SGMPS	●	○	○*1
	SGMGV	●	○	○
	SGMSV	●	○	○
Direct Drive Servomotor	SGMCS	-	○*4	○*1
	SGMCV	●	○	○

	Series (): Stator	UL Standards	EU Directives	
				RoHS Directives
Linear Servomotors	SGLGW (SGLGM)	-	○*5	○*1
	SGLFW (SGLFM)	-	○*5	○*1
	SGLTW (SGLTM)	-	○*5	○*1

*1: RoHS-compliant products have an "E" at the end of their model numbers.

*2: For details on the safety functions, refer to *Safety Module* on page 388.

*3: Application pending for SGMMV-B3E, -B5E, -B9E servomotors (flange size 15×15mm)

*4: Medium-capacity models (SGMCS-□□M, -□□N) have not yet been complied.

*5: Linear servomotors and linear sliders have been certified for the CE marking, but the labels are not attached to the products at present. Contact your Yaskawa representative if the label is required.

*6: Optional modules are not certified individually, but they do comply with safety standards when combined with the SERVOPACK.



Warranty

(1) Details of Warranty

■ Warranty Period

The warranty period for a product that was purchased (hereinafter called the "delivered product") is one year from the time of delivery to the location specified by the customer or 18 months from the time of shipment from the Yaskawa factory, whichever is sooner.

■ Warranty Scope

Yaskawa shall replace or repair a defective product free of charge if a defect attributable to Yaskawa occurs during the above warranty period. This warranty does not cover defects caused by the delivered product reaching the end of its service life and replacement of parts that require replacement or that have a limited service life.

This warranty does not cover failures that result from any of the following causes.

1. Improper handling, abuse, or use in unsuitable conditions or in environments not described in product catalogs or manuals, or in any separately agreed-upon specifications
2. Causes not attributable to the delivered product itself
3. Modifications or repairs not performed by Yaskawa
4. Use of the delivered product in a manner in which it was not originally intended
5. Causes that were not foreseeable with the scientific and technological understanding at the time of shipment from Yaskawa
6. Events for which Yaskawa is not responsible, such as natural or human-made disasters

(2) Limitations of Liability

1. Yaskawa shall in no event be responsible for any damage or loss of opportunity to the customer that arises due to failure of the delivered product.
2. Yaskawa shall not be responsible for any programs (including parameter settings) or the results of program execution of the programs provided by the user or by a third party for use with programmable Yaskawa products.
3. The information described in product catalogs or manuals is provided for the purpose of the customer purchasing the appropriate product for the intended application. The use thereof does not guarantee that there are no infringements of intellectual property rights or other proprietary rights of Yaskawa or third parties, nor does it construe a license.
4. Yaskawa shall not be responsible for any damage arising from infringements of intellectual property rights or other proprietary rights of third parties as a result of using the information described in catalogs or manuals.

(3) Suitability for Use

1. It is the customer's responsibility to confirm conformity with any standards, codes, or regulations that apply if the Yaskawa product is used in combination with any other products.
2. The customer must confirm that the Yaskawa product is suitable for the systems, machines, and equipment used by the customer.
3. Consult with Yaskawa to determine whether use in the following applications is acceptable. If use in the application is acceptable, use the product with extra allowance in ratings and specifications, and provide safety measures to minimize hazards in the event of failure.
 - Outdoor use, use involving potential chemical contamination or electrical interference, or use in conditions or environments not described in product catalogs or manuals
 - Nuclear energy control systems, combustion systems, railroad systems, aviation systems, vehicle systems, medical equipment, amusement machines, and installations subject to separate industry or government regulations
 - Systems, machines, and equipment that may present a risk to life or property
 - Systems that require a high degree of reliability, such as systems that supply gas, water, or electricity, or systems that operate continuously 24 hours a day
 - Other systems that require a similar high degree of safety
4. Never use the product for an application involving serious risk to life or property without first ensuring that the system is designed to secure the required level of safety with risk warnings and redundancy, and that the Yaskawa product is properly rated and installed.
5. The circuit examples and other application examples described in product catalogs and manuals are for reference. Check the functionality and safety of the actual devices and equipment to be used before using the product.
6. Read and understand all use prohibitions and precautions, and operate the Yaskawa product correctly to prevent accidental harm to third parties.

(4) Specifications Change

The names, specifications, appearance, and accessories of products in product catalogs and manuals may be changed at any time based on improvements and other reasons. The next editions of the revised catalogs or manuals will be published with updated code numbers. Consult with your Yaskawa representative to confirm the actual specifications before purchasing a product.

Σ-V SERIES PRODUCT CATALOG

IRUMA BUSINESS CENTER (SOLUTION CENTER)

480, Kamifujisawa, Iruma, Saitama, 358-8555, Japan
Phone +81-4-2962-5151 Fax +81-4-2962-6138
<http://www.yaskawa.co.jp>

YASKAWA AMERICA, INC.

2121, Norman Drive South, Waukegan, IL 60085, U.S.A.
Phone +1-800-YASKAWA (927-5292) or +1-847-887-7000 Fax +1-847-887-7310
<http://www.yaskawa.com>

YASKAWA ELÉTRICO DO BRASIL LTDA.

777, Avenida Piraporinha, Diadema, São Paulo, 09950-000, Brasil
Phone +55-11-3585-1100 Fax +55-11-3585-1187
<http://www.yaskawa.com.br>

YASKAWA EUROPE GmbH

Hauptstraße 185, 65760 Eschborn, Germany
Phone +49-6196-569-300 Fax +49-6196-569-398
<http://www.yaskawa.eu.com> E-mail: info@yaskawa.eu.com

YASKAWA ELECTRIC KOREA CORPORATION

35F, Three IFC, 10 Gukjegeumyung-ro, Yeongdeungpo-gu, Seoul, 07326, Korea
Phone +82-2-784-7844 Fax +82-2-784-8495
<http://www.yaskawa.co.kr>

YASKAWA ELECTRIC (SINGAPORE) PTE. LTD.

151, Lorong Chuan, #04-02A, New Tech Park 556741, Singapore
Phone +65-6282-3003 Fax +65-6289-3003
<http://www.yaskawa.com.sg>

YASKAWA ELECTRIC (THAILAND) CO., LTD.

59, 1st-5th Floor, Flourish Building, Soi Ratchadapisek 18, Ratchadapisek Road, Huaykwang, Bangkok 10310, Thailand
Phone: +66-2-017-0099 Fax: +66-2-017-0799
<http://www.yaskawa.co.th>

YASKAWA ELECTRIC (CHINA) CO., LTD.

22F, One Corporate Avenue, No.222, Hubin Road, Shanghai, 200021, China
Phone +86-21-5385-2200 Fax +86-21-5385-3299
<http://www.yaskawa.com.cn>

YASKAWA ELECTRIC (CHINA) CO., LTD. BEIJING OFFICE

Room 1011, Tower W3 Oriental Plaza, No.1, East Chang An Ave.,
Dong Cheng District, Beijing, 100738, China
Phone +86-10-8518-4086 Fax +86-10-8518-4082

YASKAWA ELECTRIC TAIWAN CORPORATION

12F, No. 207, Sec. 3, Beishin Rd., Shindian Dist., New Taipei City 23143, Taiwan
Phone: +886-2-8913-1333 Fax: +886-2-8913-1513 or +886-2-8913-1519
<http://www.yaskawa.com.tw>

YASKAWA**YASKAWA ELECTRIC CORPORATION**

In the event that the end user of this product is to be the military and said product is to be employed in any weapons systems or the manufacture thereof, the export will fall under the relevant regulations as stipulated in the Foreign Exchange and Foreign Trade Regulations. Therefore, be sure to follow all procedures and submit all relevant documentation according to any and all rules, regulations and laws that may apply. Specifications are subject to change without notice for ongoing product modifications and improvements.

© 2007 YASKAWA ELECTRIC CORPORATION

LITERATURE NO. KAEP S800000 42M <13>-3

Published in Japan April 2018
17-3-17