

motor operator 110-230 V AC/110-250 V DC accessory for: 3VA13/14 3VA23/24



Model	
product brand name	SENTRON
product designation	Motor operator (MO)
accessories	Motorized operating mechanism (MO)
General technical data	
make time / typical	1.7 s
break time / typical	1.3 s
Voltage	
type of voltage / of the operating voltage / for actuation	AC/DC
Rated control supply voltage $U_s$ at AC 50 Hz	
• minimum	110 V
• maximum	230 V
• Rated control supply voltage $U_s$ at AC 60 Hz / minimum	110 V
• Rated control supply voltage $U_s$ at AC 60 Hz / maximum	230 V
Rated control supply voltage $U_s$ with DC	
• minimum	110 V
• maximal	250 V
operating apparent power	250 VA
Mechanical Design	
height	92 mm
width	138 mm
depth	149 mm
connectable conductor cross-section / solid	
• minimum	1.5 mm <sup>2</sup>
• maximum	2.5 mm <sup>2</sup>
connectable conductor cross-section / finely stranded / with core end processing	
• minimum	1.5 mm <sup>2</sup>
• maximum	2.5 mm <sup>2</sup>
connectable conductor cross-section / stranded	
• minimum	1.5 mm <sup>2</sup>
• maximum	2.5 mm <sup>2</sup>
ambient temperature / during operation	
• minimum	-25 °C
• maximum	70 °C
ambient temperature / during storage	
• minimum	-40 °C
• maximum	80 °C
tightening torque	

<ul style="list-style-type: none"> <li>• minimum</li> </ul>	0.36 N·m
<ul style="list-style-type: none"> <li>• maximum</li> </ul>	0.44 N·m
<b>ambient temperature / during storage</b>	
<ul style="list-style-type: none"> <li>• minimum</li> </ul>	-40 °C
<ul style="list-style-type: none"> <li>• maximum</li> </ul>	80 °C

### Connections according IEC

<b>stripped length</b>	7 mm
------------------------	------

### Certificates

General Product Approval	EMV	Marine / Shipping
--------------------------	-----	-------------------



[Miscellaneous](#)



other	Dangerous goods	Environment
-------	-----------------	-------------

[Miscellaneous](#)

[Confirmation](#)

[Miscellaneous](#)

[Transport Information](#)



[Environmental Con-  
firmations](#)

### Environment

[Environmental Con-  
firmations](#)

### Further information

#### Information on the packaging

<https://support.industry.siemens.com/cs/ww/en/view/109813875>

#### Information- and Downloadcenter (Catalogs, Brochures,...)

<http://www.siemens.com/lowvoltage/catalogs>

#### Industry Mall (Online ordering system)

<https://mall.industry.siemens.com/mall/en/en/Catalog/product?mlfb=3VA9467-0HA20>

#### Service&Support (Manuals, Certificates, Characteristics, FAQs,...)

<https://support.industry.siemens.com/cs/ww/en/ps/3VA9467-0HA20>

#### Image database (product images, 2D dimension drawings, 3D models, device circuit diagrams, ...)

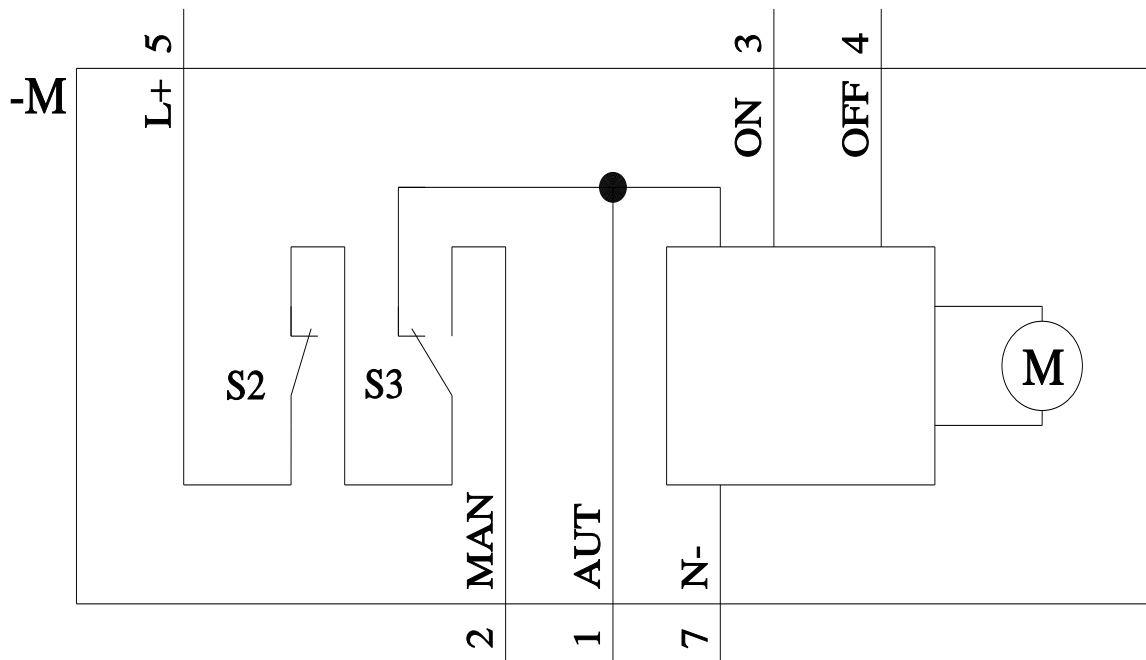
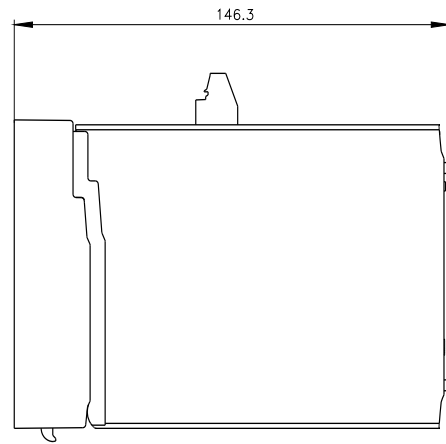
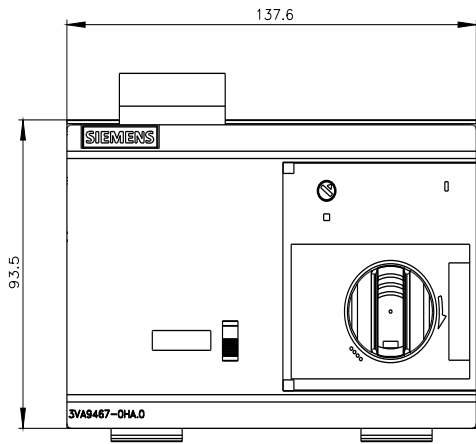
[http://www.automation.siemens.com/bilddb/cax\\_en.aspx?mlfb=3VA9467-0HA20](http://www.automation.siemens.com/bilddb/cax_en.aspx?mlfb=3VA9467-0HA20)

#### CAX-Online-Generator

<http://www.siemens.com/cax>

#### Tender specifications

<http://www.siemens.com/specifications>



last modified:

5/26/2024

