



Pilot kick type 2 port solenoid valve
(general purpose valve)

ADK11/ADK12 Series

- NC (normally closed) type, NO (normally open) type
- Port size: Rc1/4 to Rc1
- Diaphragm structure

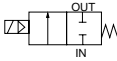


Excluding ADK12

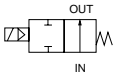


JIS symbol

- ADK11: NC (normally closed) type



- ADK12: NO (normally open) type



Common specifications

Item	Standard specifications	Optional specifications
Working fluid	Air, low vacuum (1.33×10^5 Pa (abs)), water, kerosene, oil (50 mm ² /s or less)	Hot water
Working pressure differential range MPa	0 to 1.0 (refer to max. working pressure differential in individual specifications.)	
Max. working pressure MPa	2	
Withstanding pressure (water) MPa	4	
Fluid temperature (Note 1) °C	-10 to 60	-10 to 90
Ambient temperature °C	-10 to 60	
Heat proof class	B	H
Atmosphere	Place free of corrosive gas and explosive gas	
Valve structure	Pilot kick type poppet, diaphragm structure	
Valve seat leakage (Note 2) cm ³ /min. (ANR)	1 or less (air)	
Mounting attitude	Free	
Body, sealant	Bronze, nitrile rubber	Bronze, ethylene propylene diene rubber

Note 1: No freezing

Note 2: For ADK11 (NC (normally closed) type), these values apply to pneumatic pressure 0.02 to 1.0 MPa, and for ADK12 (NO (normally open) type), these apply to pneumatic pressure 0.02 to 0.6 MPa.
When used at a pressure less than 0.02 MPa, the sealant may be unstable. Consult with CKD in this case.

Individual specifications

Item Model no.	Port size	Orifice (mm)	Min. working pressure diff. (MPa)	Max. working pressure diff. (MPa)						Rated voltage	Apparent power (VA)				Power consumption (W)		Weight (kg)
				Air		Water, kerosene		Oil (50 mm ² /s)			Holding		Starting		AC	DC	
				AC	DC	AC	DC	AC	DC		50 Hz	60 Hz	50 Hz	60 Hz			
NC (normally closed) type																	
ADK11-8A	Rc1/4	12	0	1	0.7	0.7	0.7	0.6	100 VAC 50/60 Hz	24	19	61	54	10/8	11*2 (10.4)	0.65	
ADK11-10A	Rc3/8	12							110 VAC 60 Hz								
ADK11-15A	Rc1/2	16							200 VAC 50/60 Hz								
ADK11-20A	Rc3/4	23							220 VAC 60 Hz								
ADK11-25A	Rc1	28							12 VDC								
NO (normally open) type																	
ADK12-15A	Rc1/2	16	0	0.6	0.6	0.6	0.6	0.5	24 VDC	30	25	180	150	13/11	14	1.0	
ADK12-20A	Rc3/4	23							48 VDC								
ADK12-25A	Rc1	28							100 VDC								

*1: The model numbers above show the basic port size (Rc). Refer to How to order for other combinations.

*2: The value in () is the power consumption for the type with DIN terminal box.

*3: The value in [] is the power consumption for the coil with diode.

*4: Refer to DC column for the maximum working pressure differential of coil with diode.

*5: Voltage fluctuation should be within ±10% of the rated voltage.

*6: Consider using the AB71 Series if the pressure is 0.02 MPa or less.

*7: When using with a low vacuum, vacuum the OUT port side.

Optional specifications

Sealant	Fluoro rubber		Ethylene propylene diene rubber	
	B	H	B	H
Coil (heat proof class)				
Fluid temperature °C	5 to 60	5 to 90	-10 to 60 (Note 1)	-10 to 90 (Note 1)
Ambient temperature °C	-10 to 60			
Valve seat leakage (Note 2) cm ³ /min. (ANR)	1 or less (air)			

Note 1: No freezing

Note 2: For ADK11 (NC (normally closed) type), these values apply to pneumatic pressure 0.02 to 1.0 MPa, and for

ADK12 (NO (normally open) type), these apply to pneumatic pressure 0.02 to 0.6 MPa.

When used at a pressure less than 0.02 MPa, the sealant may be unstable. Consult with CKD in this case.

Flow characteristics

Model no.	Port size	Orifice (mm)	Flow characteristics			
			C [dm ³ /(s·bar)]	b	Cv flow factor	S (mm ²)
NC (normally closed) type						
ADK11-8A	Rc1/4	12	9.2	0.36	2.0	–
ADK11-10A	Rc3/8	12	11	0.46	2.4	–
ADK11-15A	Rc1/2	16	20	0.31	4.5	–
ADK11-20A	Rc3/4	23	–	–	8.6	162
ADK11-25A	Rc1	28	–	–	12.0	231
NO (normally open) type						
ADK12-15A	Rc1/2	16	20	0.31	4.5	–
ADK12-20A	Rc3/4	23	–	–	8.6	162
ADK12-25A	Rc1	28	–	–	12.0	231

*1: Effective sectional area S and sonic conductance C are converted as $S \approx 5.0 \times C$.

HNB/G

USB/G

FAB/G

FGB/G

FVB

FWB/G

FHB

FLB

AB

AG

AP/

AD

APK/

ADK

For

dry air

Explosion

proof

HV/

HVL

SAB/

SVB

NP/NAP/

NVP

CHB/G

MXB/G

Other G.P.

systems

PD/FAD/

PJ

CVE/

CVSE

CPE/

CPD

Medical

analysis

Custom

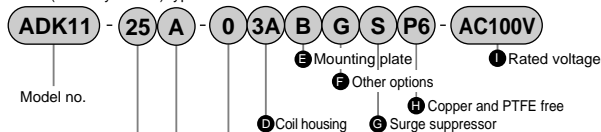
order

General purpose valve
Pilot kick type 2 Port Solenoid valve

ADK11/ADK12 Series

How to order

● NC (normally closed) type



Symbol	Descriptions				
A Port size					
8	1 / 4				
10	3 / 8				
15	1 / 2				
20	3 / 4				
25	1				
B Type of thread					
A	Rc				
G	G				
N	NPT				
C Body/sealant combination					
Option	Body	Sealant	Treatment	Remarks	
0	Bronze	Nitrile rubber	-	Air, water, low vacuum, kerosene, oil (up to 60°C)	
B	Bronze	Fluoro rubber		Air, low vacuum, kerosene, oil (up to 90°C *1)	
D	Stainless steel	Nitrile rubber	-	Air, water, low vacuum, kerosene, oil (up to 60°C)	
E	Stainless steel	Fluoro rubber		Air, low vacuum, kerosene, oil (up to 90°C *1)	
H	Option	Nitrile rubber	Oil free	Air, water, low vacuum, kerosene, oil (up to 60°C)	
J		Bronze		Fluoro rubber	Air, low vacuum, kerosene, oil (up to 90°C *1)
P		Bronze		Ethylene propylene diene rubber	Hot water (up to 90°C *1)
L		Stainless steel		Nitrile rubber	Air, water, low vacuum, kerosene, oil (up to 60°C)
M		Stainless steel		Fluoro rubber	Air, low vacuum, kerosene, oil (up to 90°C *1)
R		Stainless steel		Ethylene propylene diene rubber	Hot water (up to 90°C *1)

Refer to page 36 in the Introduction for details on the material combinations.

D to **I**

Refer to the following page for details on the coil housing, other options and voltage, etc.

<Example 1 of model number>

ADK11-15A-02C-AC100V

Series: APK11

A Port size: 1/2

B Type of thread: Rc

C Body/sealant combination
: Body - bronze, sealant - nitrile rubber

D Coil housing: Grommet lead wire

E to **C** : Blank

I Rated voltage

: 100 VAC 50/60 Hz, 110 VAC 60 Hz

<Example 2 of model number>

ADK11-20N-B4ABS-AC200V

Series: ADK11

A Port size: 3/4

B Type of thread: NPT

C Body/sealant combination
: Body - bronze, sealant - fluoro rubber

D Coil housing

: Open frame lead wire (class H coil)

E Mounting plate: Selected

F Other options: Blank

C Surge suppressor: Selected

I Rated voltage

: 200 VAC 50/60 Hz, 220 VAC 60 Hz

▲ Note on model no. selection

Note on **C**

*1: **C**: When selecting 4A, 4M or 4N.

*2: Only **A** (port size) 15 (1/2), 20 (3/4) or 25 (1) is available for **C** P/R.






*3: The maximum working pressure differential is 0.6 MPa for the ethylene propylene diene rubber seal combination (**C** P/R).

*4: The ethylene propylene diene rubber seal combination (**C** P/R) cannot be used with air. (Compressed air contains oil, and ethylene propylene diene rubber is not oil-resistant.)


For ② to ①, the combinations indicated with symbols can be manufactured.
Note that if options ⑤ to ⑧ are not required, no symbol is indicated.

② Coil housing		⑤	⑥ Other options					⑧	⑨	⑩ Rated voltage	
Descriptions		Mounting plate	Cable gland			Conduit		Surge suppressor	Capacitor and PTC fuse	Descriptions	
			(Marine cable gland)			(Conduit pipe)					
			A-15a	A-15b	A-15c	CTC19	G/2				
2C	ꠔ Grommet lead wire	B						S	P6	100 VAC, 200 VAC	
2E	DIN terminal box (G1/2)									100 VAC, 200 VAC, 12 VDC, 24 VDC, 48 VDC, 100 VDC	
2G	DIN terminal box (Pg11)									100 VAC, 200 VAC, 24 VDC	
2H	DIN terminal box + small light (Pg11)					H				100 VAC, 200 VAC, 24 VDC	
3A	Lead wire	B				G H		S	P6	100 VAC, 200 VAC, 12 VDC, 24 VDC, 48 VDC, 100 VDC	
3M	Open frame type HP terminal box (G1/2)		D	E	F					100 VAC, 200 VAC, 12 VDC, 24 VDC, 48 VDC, 100 VDC	
3N	HP terminal box + light (G1/2)									100 VAC, 200 VAC, 12 VDC, 24 VDC, 48 VDC, 100 VDC	
3I	HP terminal box (IP65 or equivalent) (G1/2)									100 VAC, 200 VAC, 12 VDC, 24 VDC, 48 VDC, 100 VDC	
3J	HP terminal box + light (IP65 or equivalent) (G1/2)				G H		S	P6	100 VAC, 200 VAC, 12 VDC, 24 VDC, 100 VDC		
4A	Open frame type Lead wire	B							100 VAC, 200 VAC		
4M	HP terminal box (G1/2)		D	E	F				100 VAC, 200 VAC		
4N	HP terminal box + light (G1/2)								100 VAC, 200 VAC		
5A	Open frame type Lead wire								G H		100 VAC, 200 VAC
5M	HP terminal box (G1/2)	B						P6	100 VAC, 200 VAC		
5N	HP terminal box + light (G1/2)		D	E	F				100 VAC, 200 VAC		
5I	HP terminal box (IP65 or equivalent) (G1/2)								100 VAC, 200 VAC		
5J	HP terminal box + light (IP65 or equivalent) (G1/2)								100 VAC, 200 VAC		

⚠ Refer to the following precautions for ② to ①.

2C		● Grommet lead wire 300 mm
2E 2G 2H		● DIN terminal box
3A 4A 5A		● Open frame grommet lead wire 300 mm ● 4A (heat proof class H) ● 5A (diode integrated)
3M 3N 4M 4N 5M 5N		● Open frame HP terminal box ● 4M, 4N (heat proof class H) ● 5M, 5N (diode integrated)
3I 3J 5I 5J		● Open frame HP terminal box (IP65 or equivalent) ● 5I, 5J (diode integrated)

Refer to page 224 for coil selection.

G H		● Conduit ● G (CTC19) ● H (G1/2)
--------	---	--

⚠ Note on model no. selection

Note on ②

*5: 5A, 5M, 5N, 5I and 5J are coils for which AC power is converted to DC with a diode.

Note on ⑥ to ⑧

- *6: Select one among D, E, F, G and H for ⑥.
- *7: The surge suppressor is an accessory for the lead wire coil. When selecting a coil with terminal box, the surge suppressor is mounted in the terminal box.
- *8: As standard, the surge suppressor is incorporated in the coil with diode and the 24 VDC coil (② 2H), so the surge suppressor symbol S cannot be selected.
- *9: Tropicalization (rust-proof coating) is available as a measure against rust. Contact CKD for more information.

Note on ⑩

- *10: 100 VAC coil is compatible with 100 VAC 50/60 Hz and 110 VAC 60 Hz, and 200 VAC coil is compatible with 200 VAC 50/60 Hz and 220 VAC 60 Hz. Note that the coils ② 5A/5M/5N/5I/5J can be used only with 100 VAC 50/60 Hz or 200 VAC 50/60 Hz.
- *11: For voltages other than above, consult with CKD.
- *12: The lead wire is available in the standard 300 mm length, and 500 mm, 1000 mm, 2000 mm and 3000 mm lengths. Contact CKD for more information.

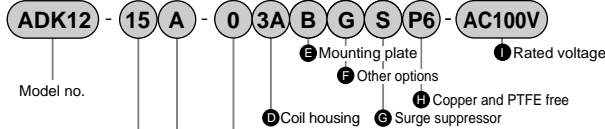
HNB/G
USB/G
FAB/G
FGB/G
FVB
FWB/G
FHB
FLB
AB
AG
AP/
AD
APK/
ADK
For
dry air
Explosion
proof
HVB/
HVL
SAB/
SVB
NP/NAP/
NVP
CHB/G
MXB/G
Other G.P.
systems
PD/FAD/
PJ
CVE/
CVSE
CPE/
CPD
Medical
analysis
Custom
order

General purpose valve
Pilot kick type 2 Port Solenoid valve

ADK11/ADK12 Series

How to order

● NO (normally open) type



Symbol	Descriptions			
A Port size				
15	1 / 2			
20	3 / 4			
25	1			
B Type of thread				
A	Rc			
G	G			
N	NPT			
C Body/sealant combination				
	Body	Sealant	Treatment	Remarks
0	Bronze	Nitrile rubber	-	Air, water, low vacuum, kerosene, oil (up to 60°C)
		Fluoro rubber		Air, low vacuum, kerosene, oil (up to 90°C *1)
	Stainless steel	Nitrile rubber		Air, water, low vacuum, kerosene, oil (up to 60°C)
		Fluoro rubber		Air, low vacuum, kerosene, oil (up to 60°C)
Option	Bronze	Nitrile rubber	Oil free	Air, water, low vacuum, kerosene, oil (up to 60°C)
		Fluoro rubber		Air, low vacuum, kerosene, oil (up to 90°C *1)
		Ethylene propylene diene rubber		Hot water (up to 90°C *1)
		Nitrile rubber		Air, water, low vacuum, kerosene, oil (up to 60°C)
	Stainless steel	Fluoro rubber		Air, low vacuum, kerosene, oil (up to 90°C *1)
		Nitrile rubber		Air, water, low vacuum, kerosene, oil (up to 60°C)
		Fluoro rubber		Air, low vacuum, kerosene, oil (up to 90°C *1)
		Ethylene propylene diene rubber		Hot water (up to 90°C *1)
Refer to page 36 in the Introduction for details on the material combinations.				
D to I				
Refer to the following page for details on the coil housing, other options and voltage, etc.				

<Example 1 of model number>

ADK12-20A-03A-DC24V

Series: ADK12

A Port size: 3/4

B Type of thread: Rc

C Body/sealant combination

: Body - bronze, sealant - nitrile rubber

D Coil housing: Open frame lead wire

E to **G**: Blank

I Rated voltage: 24 VDC

<Example 2 of model number>

ADK12-15G-B3NBD-AC100V

Series: ADK12

A Port size: 1/2

B Type of thread: G

C Body/sealant combination

: Body - bronze, sealant - fluoro rubber

D Coil housing: Open frame type with HP terminal box + light (G1/2)

E Mounting plate: Selected

F Other options: Cable gland A-15a

G Surge suppressor: Blank

I Rated voltage

: 100 VAC 50/60 Hz, 110 VAC 60 Hz

Note on model no. selection




Note on **C**


*1: ©: When selecting 4A, 4M or 4N.

For ① to ①, the combinations indicated with symbols can be manufactured.
Note that if options ⑤ to ⑨ are not required, no symbol is indicated.

① Coil housing			② Mounting plate			③ Other options			④ Surge suppressor		⑤ Copper and PTFE free		⑥ Rated voltage	
Descriptions	Option	Lead wire	Mounting plate	Cable gland (Marine cable gland)			Conduit (Conduit pipe)		Surge suppressor	Copper and PTFE free	Descriptions			
				A-15a	A-15b	A-15c	CTC19	G1/2						
3A	Open frame type	Lead wire	B	D	E	F	G	H	S	P6	100 VAC, 200 VAC		HNB/G	USB/G
3M		HP terminal box (G1/2)					12 VDC, 24 VDC, 48 VDC, 100 VDC							
3N		HP terminal box + light (G1/2)					100 VAC, 200 VAC, 12 VDC, 24 VDC, 100 VDC							
3I		HP terminal box (IP65 or equivalent) (G1/2)					100 VAC, 200 VAC, 12 VDC, 24 VDC, 48 VDC, 100 VDC							
3J	Option	HP terminal box + light (IP65 or equivalent) (G1/2)	B	D	E	F	G	H	S	P6	100 VAC, 200 VAC, 12 VDC, 24 VDC, 100 VDC		FWB/G	FVB
4A		Lead wire									100 VAC, 200 VAC, 12 VDC, 24 VDC, 100 VDC			
4M		HP terminal box (G1/2)									100 VAC, 200 VAC			
4N		HP terminal box + light (G1/2)												
5A		Lead wire												
5M	Open frame type (Diode integrated)	HP terminal box (G1/2)	B	D	E	F	G	H	S	P6	100 VAC, 200 VAC		FHB	FLB
5N		HP terminal box + light (G1/2)									100 VAC, 200 VAC			
5I		HP terminal box (IP65 or equivalent) (G1/2)												
5J		HP terminal box + light (IP65 or equivalent) (G1/2)											AB	AG

⚠ Refer to the following precautions for ① to ①.

3A 4A 5A		<ul style="list-style-type: none"> ● Open frame grommet lead wire 300 mm ● 4A (heat proof class H) ● 5A (diode integrated)
3M 3N 4M 4N 5M 5N		<ul style="list-style-type: none"> ● Open frame HP terminal box ● 4M, 4N (heat proof class H) ● 5M, 5N (diode integrated)
3I 3J 5I 5J		<ul style="list-style-type: none"> ● Open frame HP terminal box (IP65 or equivalent) ● 5I, 5J (diode integrated)

G H		<ul style="list-style-type: none"> ● Conduit ● G (CTC19) ● H (G1/2)
--------	---	--

Refer to page 224 for coil selection.

⚠ Note on model no. selection

Note on ①

*2: 5A, 5M, 5N, 5I and 5J are coils for which AC power is converted to DC with a diode.

Note on ② to ⑥

- *3: Select one among D, E, F, G and H for ③.
- *4: The surge suppressor is an accessory for the lead wire coil. When selecting a coil with terminal box, the surge suppressor is mounted in the terminal box.
- *5: The surge suppressor is incorporated in the coil with diode as standard.
- *6: Tropicalization (rust-proof coating) is available as a measure against rust. Contact CKD for more information.

Note on ⑦

- *7: 100 VAC coil is compatible with 100 VAC 50/60 Hz and 110 VAC 60 Hz, and 200 VAC coil is compatible with 200 VAC 50/60 Hz and 220 VAC 60 Hz. Note that the coils ① 5A/5M/5N/5I/5J can be used only with 100 VAC 50/60 Hz or 200 VAC 50/60 Hz.
- *8: For voltages other than above, consult with CKD.
- *9: The lead wire is available in the standard 300 mm length, and 500 mm, 1000 mm, 2000 mm and 3000 mm lengths. Contact CKD for more information.

HNB/G

USB/G

FAB/G

FWB/G

FVB

FWB/G

FHB

FLB

AB

AG

AP/
AD

APK/
ADK

For
dry air

Explosion
proof

HVB/
HVL

SAB/
SVB

NP/NAP/
NVP

CHB/G

MXB/G

Other G.P.
systems

PD/FAD/
PJ

CVB/
CVSE

CPE/
CPD

Medical
analysis

Custom
order

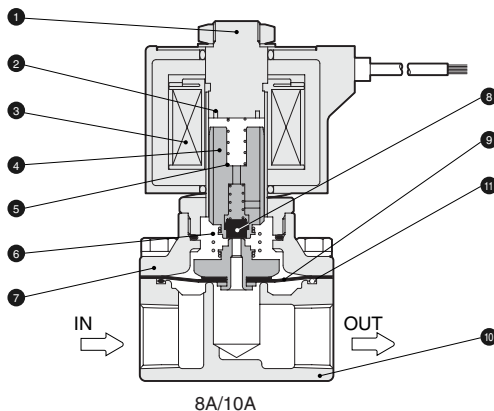
General purpose valve

Pilot kick type 2 port solenoid valve

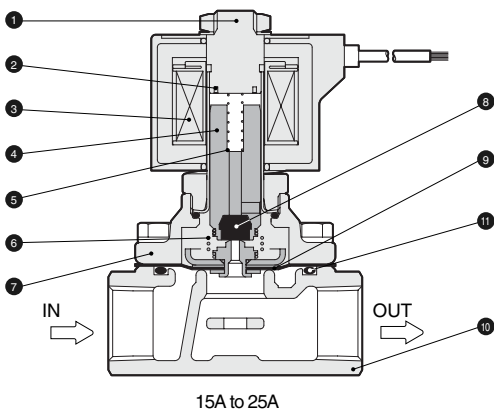
ADK11/ADK12 Series

Internal structure and parts list

● ADK11-8A/10A



● ADK11-15A/20A/25A



No.	Parts name	Material	
1	Core assembly	SUS405 or equivalent, SUS316L, SUS403	Stainless steel
2	Shading coil *1	Cu (Ag for stainless steel body)	Copper (silver for stainless steel body)
3	Coil	—	—
4	Plunger assembly	SUS405 or equivalent, SUS304, NBR (SUS405 or equivalent, SUS304, FKM or EPDM) *2,3	Stainless steel
5	Plunger spring	SUS304	Stainless steel
6	Kick spring	SUS304	Stainless steel
7	Stuffing	C3771 (SCS13)	Brass (stainless steel casting)
8	Sealant	NBR (FKM, EPDM)	Nitrile rubber (fluoro rubber or ethylene propylene diene rubber)
9	Diaphragm assembly	SUS303, SUS304, NBR (SUS303, SUS304, FKM or EPDM) *3	Stainless steel, nitrile rubber (stainless steel, fluoro rubber or ethylene propylene diene rubber)
10	Body	CAC408 (SCS13)	Bronze casting (stainless steel casting)
11	O ring	NBR (FKM, EPDM)	Nitrile rubber (fluoro rubber or ethylene propylene diene rubber)

() shows options.

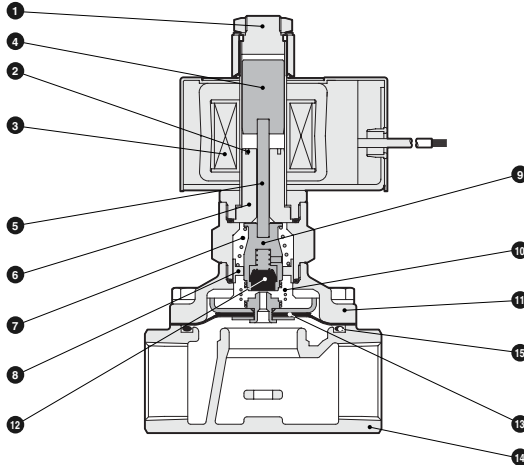
*1: When using the DC coil or a coil with diode, no shedding coil is used.

*2: SUS304 is not used for port size 15 (1/2) to 25 (1).

*3: EPDM is not compatible with port size 8 (1/4) and 10 (3/8).

Internal structure and parts list

● ADK12 Series



No.	Parts name	Material	
1	Core assembly	SUS403, SUS316L, SUS304 *1	Stainless steel
2	Shading coil *2	Cu (Ag for stainless steel body)	Copper (silver for stainless steel body)
3	Coil	-	-
4	Plunger	SUS405 or equivalent	Stainless steel
5	Push rod	SUS304	Stainless steel
6	Fixed ferrous core	SUS405 or equivalent	Stainless steel
7	Spring	SUS304	Stainless steel
8	Spring holder	POM (SUS303)	Acetal resin (stainless steel)
9	NO valve assembly	SUS303, SUS304, NBR (SUS303, SUS304, FKM or EPDM)	Stainless steel, nitrile rubber (stainless steel, fluoro rubber or ethylene propylene diene rubber)
10	Kick spring	SUS304	Stainless steel
11	Stuffing	C3771 (SCS13)	Brass (stainless steel casting)
12	Sealant	NBR (FKM, EPDM)	Nitrile rubber (fluoro rubber or ethylene propylene diene rubber)
13	Diaphragm assembly	SUS303, SUS304, NBR (SUS303, SUS304, FKM or EPDM)	Stainless steel, nitrile rubber (stainless steel, fluoro rubber or ethylene propylene diene rubber)
14	Body	CAC408 (SCS13)	Bronze casting (stainless steel casting)
15	O ring	NBR (FKM, EPDM)	Nitrile rubber (fluoro rubber or ethylene propylene diene rubber)

() shows options.

*1: When the body/sealant combination symbol is other than O and H, the material is SUS430, SUS316L, SUS304.

*2: When using the DC coil or a coil with diode, no shedding coil is used.

HNB/G

USB/G

FAB/G

FGB/G

FVB

FWB/G

FHB

FLB

AB

AG

AP/
AD

APK/
ADK

For
dry air

Explosion
proof

HVB/
HVL

SAB/
SVB

NP/NAP/
NVP

CHB/G

MXB/G

Other G.P.
systems

PDF/FAD/
PJ

CVE/
CVSE

CPE/
CPD

Medical
analysis

Custom
order

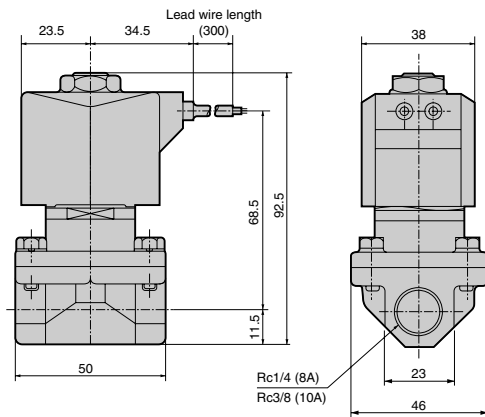
General purpose valve
Pilot kick type 2 port solenoid valve

ADK11/ADK12 Series

Dimensions: ADK11 Series

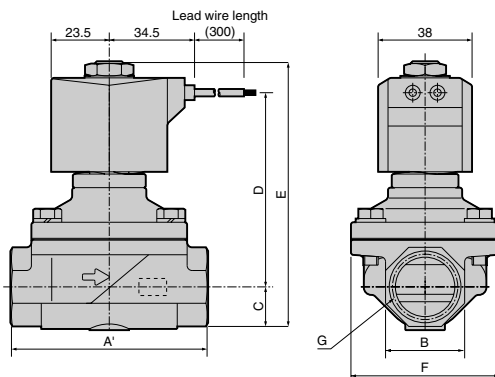


- Grommet lead wire type
ADK11-8A/10A-*2C



Note 1: The dimensions are the same for the G or NPT thread port size.

- Grommet lead wire type
ADK11-15A/20A/25A-*2C



Note 1: The dimensions are the same for the G or NPT thread port size.
Note 2: Dimensions shown in () are for SUS body.

Model no.	A	B	C	D	E	F	G
ADK11-15A-02C	71	27 (29)	14.5	75.5	102	50	Rc1/2
ADK11-20A-02C	80	32 (35)	17.5	79	108.5	60	Rc3/4
ADK11-25A-02C	90	41 (45)	22.5	84.5	119	71	Rc1

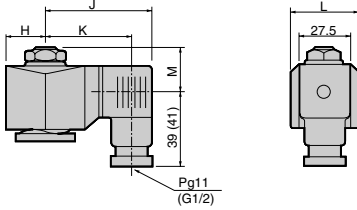
Optional dimensions: ADK11 Series



* Refer to the grommet lead wire type dimensions on the left page for common dimensions.

- DIN terminal box
ADK11-8A to 25A-*

2E
2G
2H

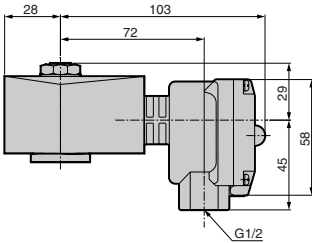


Dimensions shown in () are for G1/2.

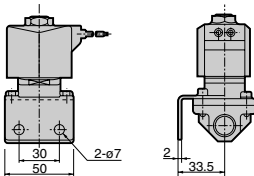
Model no.	H	J	K	L	M
ADK11-8A-25A-*2□-AC	23.5	65.5	54 (53.5)	38	22
ADK11-8A/10A-*2□-DC	23.5	66	54.5 (54)	38	22
ADK11-15A-25A-*2□-DC	28	72	60.5 (60)	46	22

- Open frame type + HP terminal box
ADK11-8A to 25A-*

3M	4M
5N	4N
I	J

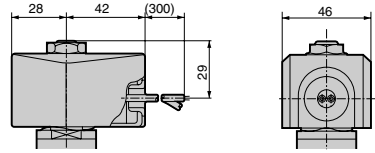


- Mounting plate
ADK11-8A/10A-***B



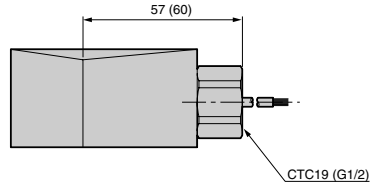
- Open frame lead wire
ADK11-8A to 25A-*

3A
4A
5A



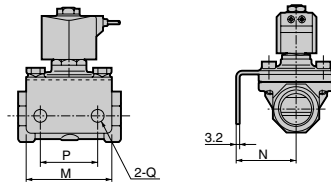
- Open frame type + conduit
ADK11-8A to 25A-*

3A	G
4A	H
5A	



Dimensions shown in () are for G1/2.

- Mounting plate
ADK11-15A/20A/25A-***B



Model no.	M	N	P	Q
ADK11-15A-***B	56	45	40	ø9
ADK11-20A-***B	63	50	45	ø9
ADK11-25A-***B	75	56	50	ø11

HNB/G
USB/G
FAB/G
FGB/G
FVB
FWB/G
FHB
FLB
AB
AG
AP/
AD
AP/
ADK
For
dry air
Explosion
proof
HVB/
HVL
SAB/
SVB
NP/NAP/
NVP
CHB/G
MXB/G
Other G.P.
systems
PD/FAD/
PJ
CVE/
CVSE
CPE/
CPD
Medical
analysis
Custom
order

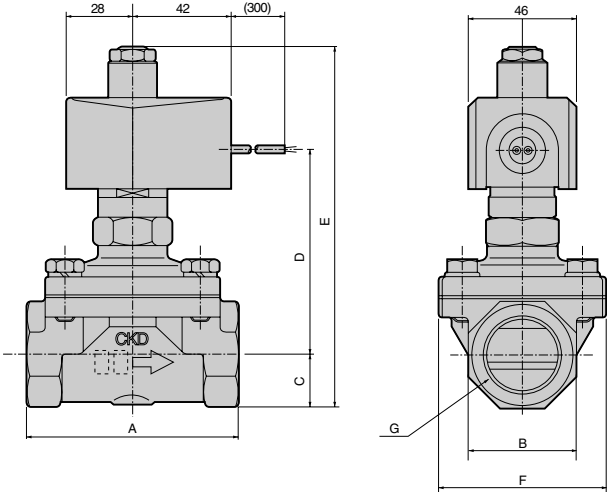
General purpose valve
Pilot kick type 2 port solenoid valve

ADK11/ADK12 Series

Dimensions: ADK12 Series



- Open frame lead wire type
ADK12-15A/20A/25A-3A



Note 1: The dimensions are the same for the G or NPT thread port size.

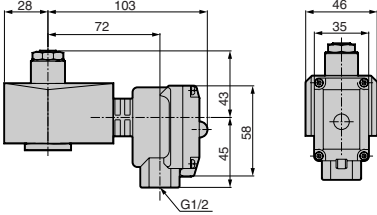
Model no.	A	B	C	D	E	F	G
ADK12-15A-03A	71	27 (29)	14.5	77	134.5	50	Rc1/2
ADK12-20A-03A	80	32 (35)	17.5	80.5	141	60	Rc3/4
ADK12-25A-03A	90	41 (45)	22.5	86	151.5	71	Rc1

Optional dimensions: ADK12 Series

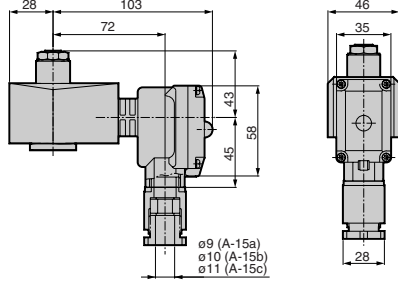


* Refer to the open frame lead wire type dimensions on the left page for common dimensions.

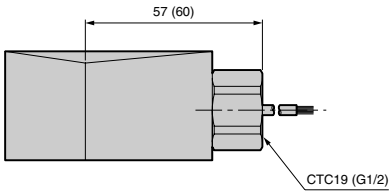
- Open frame type + HP terminal box
ADK12-15A/20A/25A-*



- Open frame type + cable gland
ADK12-15A/20A/25A-*

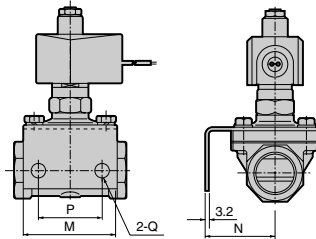


- Open frame type + conduit
ADK12-15A/20A/25A-*



Dimensions shown in () are for G1/2.

- Mounting plate
ADK12-15A/20A/25A-***



Model no.	M	N	P	Q
ADK12-15A-***B	56	45	40	ø9
ADK12-20A-***B	63	50	45	ø9
ADK12-25A-***B	75	56	50	ø11

HNB/G
USB/G
FAB/G
FGB/G
FVB
FWB/G
FHB
FLB
AB
AG
AP/ AD
APK/ ADK
For dry air
Explosion proof
HVB/ HVL
SAB/ SVB
NP/NAP/ NVP
CHB/G
MXB/G
Other G.P. systems
PD/FAD/ PJ
CVE/ CVSE
CPE/ CPD
Medical analysis
Custom order