



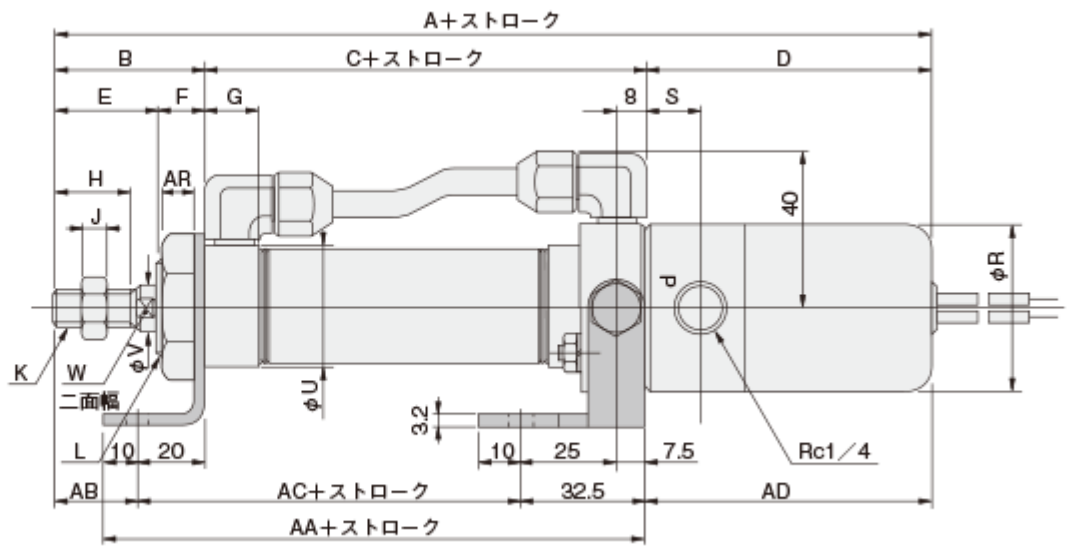
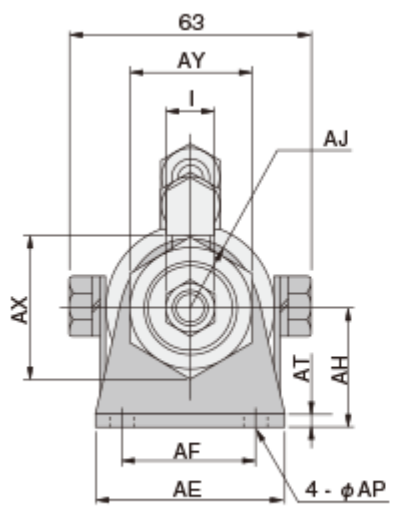
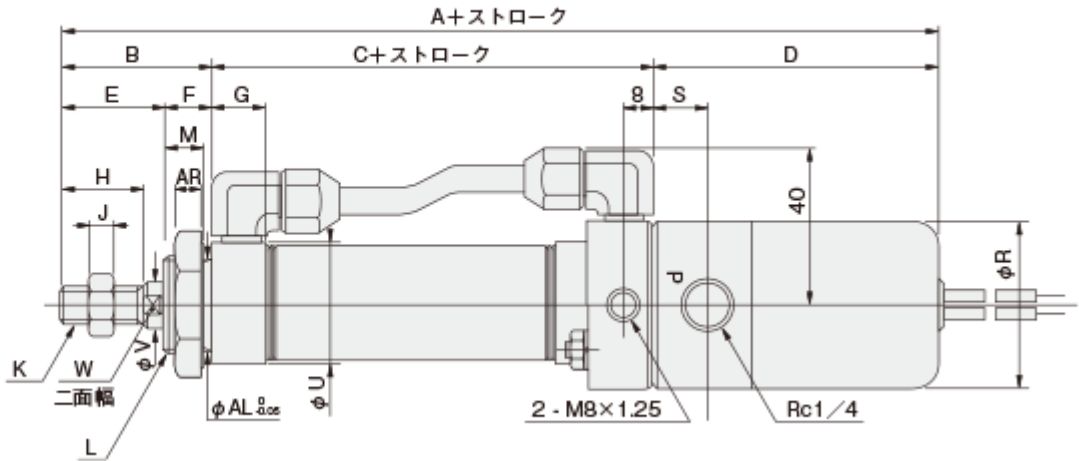
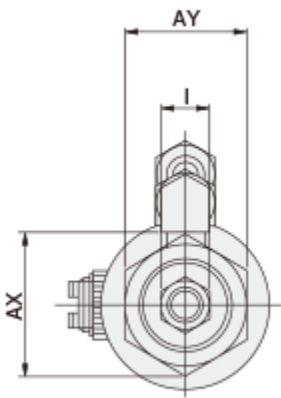
General Purpose Cylinders_General Type, Slim Cylinder, DA/DV/SA Series

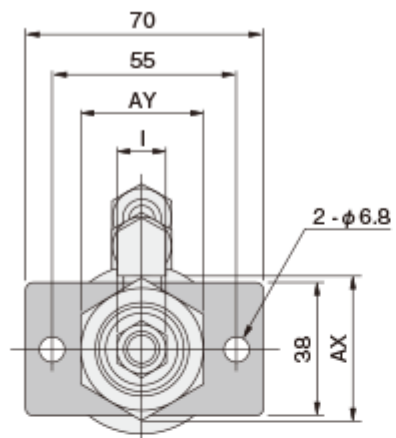


Part Number **SA20X50**

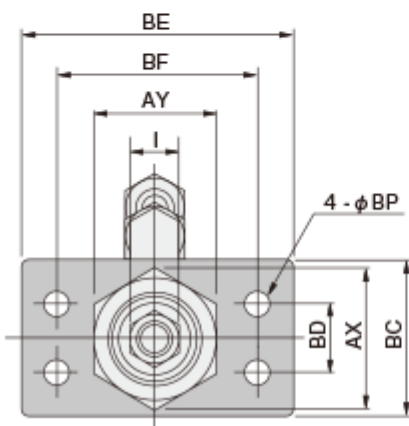
20241230150810

Cylinder Operation Method	[Single Acting (Extension)] Single Acting (Extruded)	Rod Operation Method	Single Rods
Main Body Shape	[Standard] Standard	Cylinder I.D: D(Ø)	20
Stroke: L(mm)	50	Additional Function	Standard
Environment, Applications	Standard	Operating Temperature(°C)	0~70
End Locking	No	Valves	No
Additional Function, Standard Cylinder Specifications	-	Presence of Bellows	-
With/without adjustable cushion	No	Head cover specification	Standard
Stroke adjustment	No	Sensor specifications	-
Mounting Type	Prototype	Rod Tip Specification	-
Rod Tip Metal Fitting	No	Mounting Valve Series	-
Mounting Valve Option	-	Sensor Switches	No
Lead Wire Length	-	Number of sensor switches	-
Electromagnetic valve voltage	-	Scraper	-
Lubrication	-	Bumper	-
Pilot	-	Max. Operating Pressure(MPa)	0.9
Stroke L2(mm)	-	End Keep Position	-

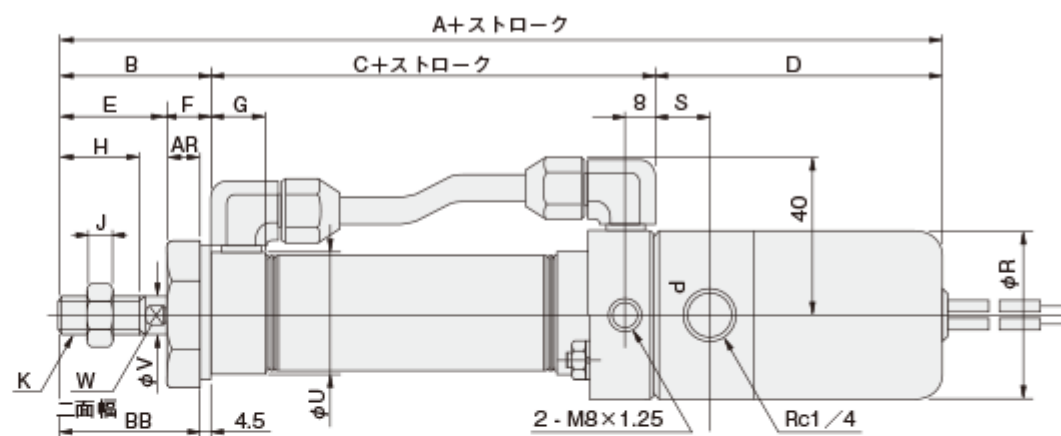


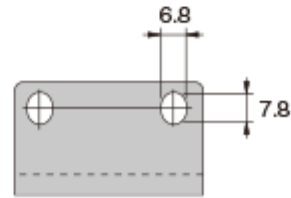
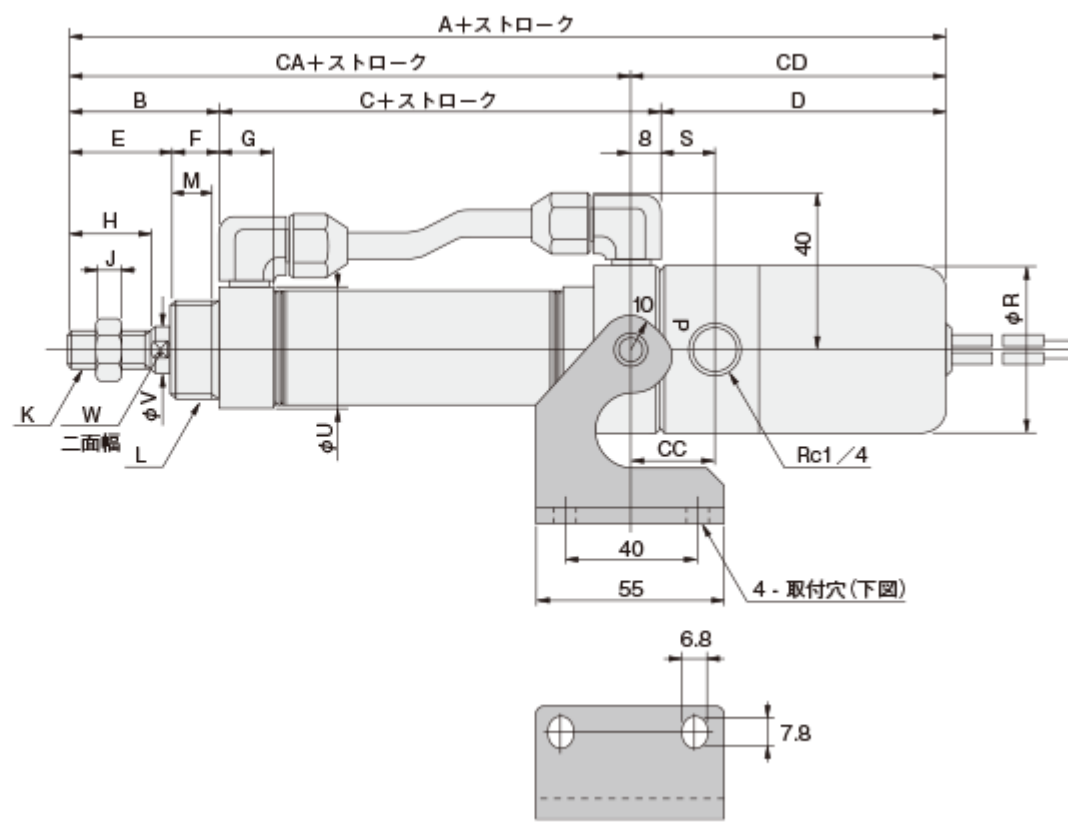
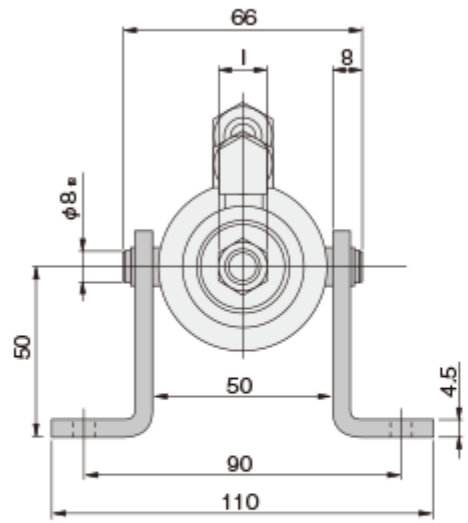


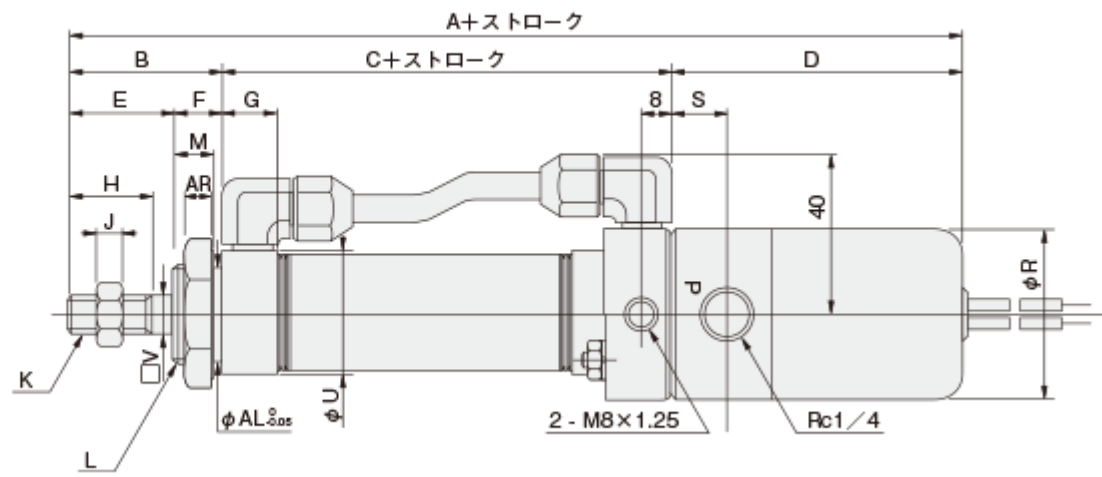
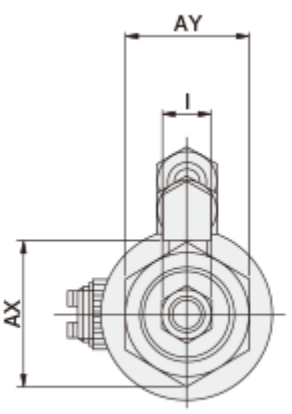
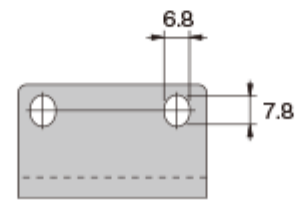
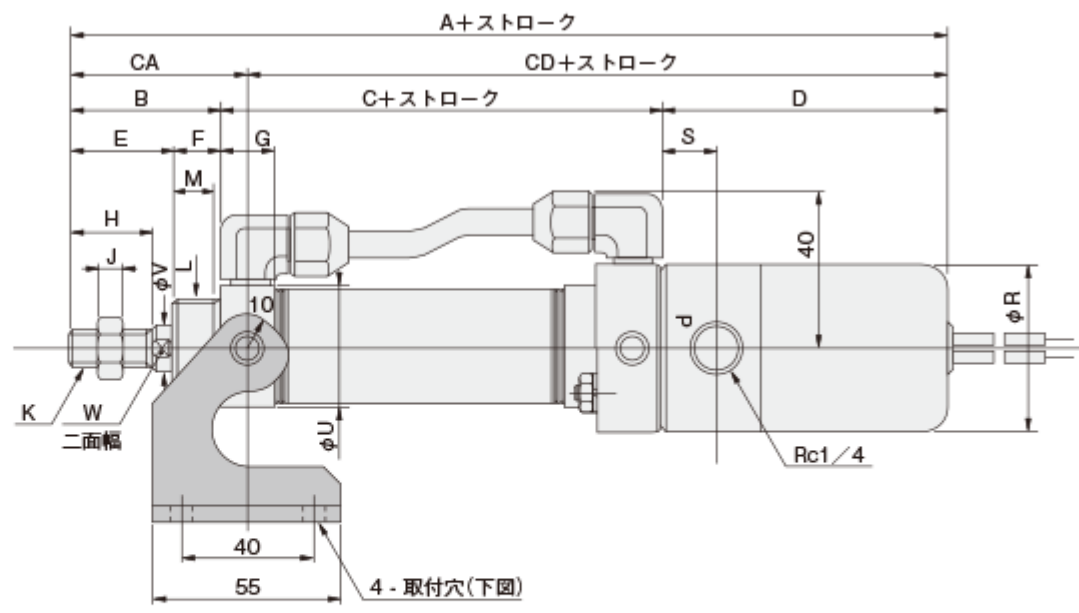
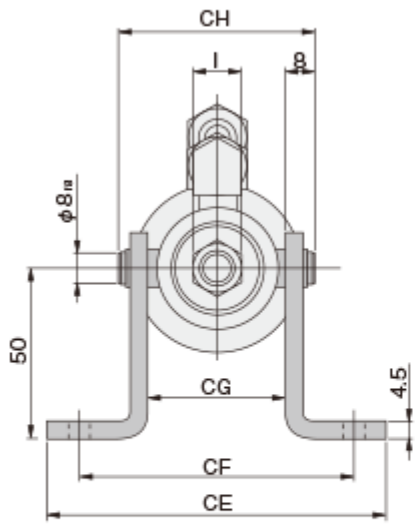
● φ20・φ25

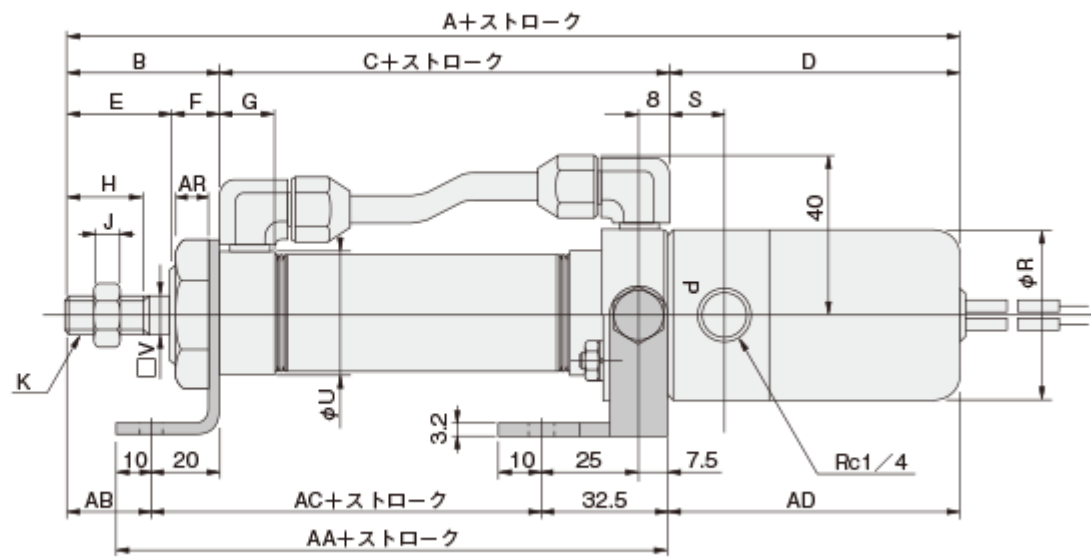
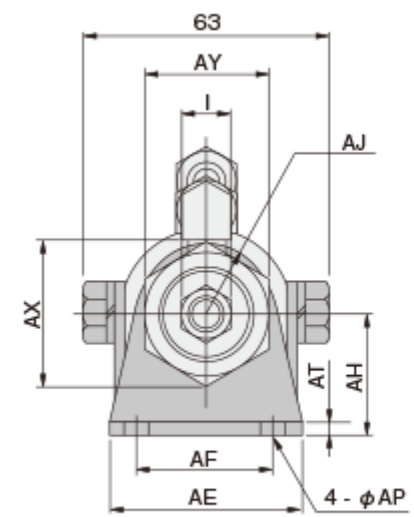


● φ32・φ40

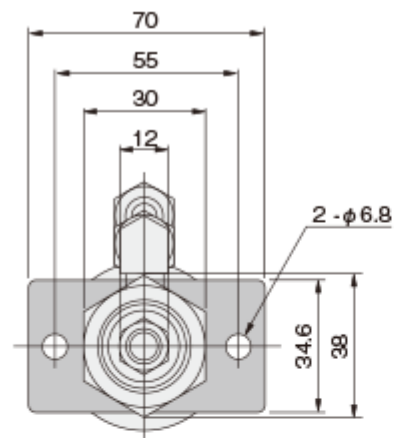




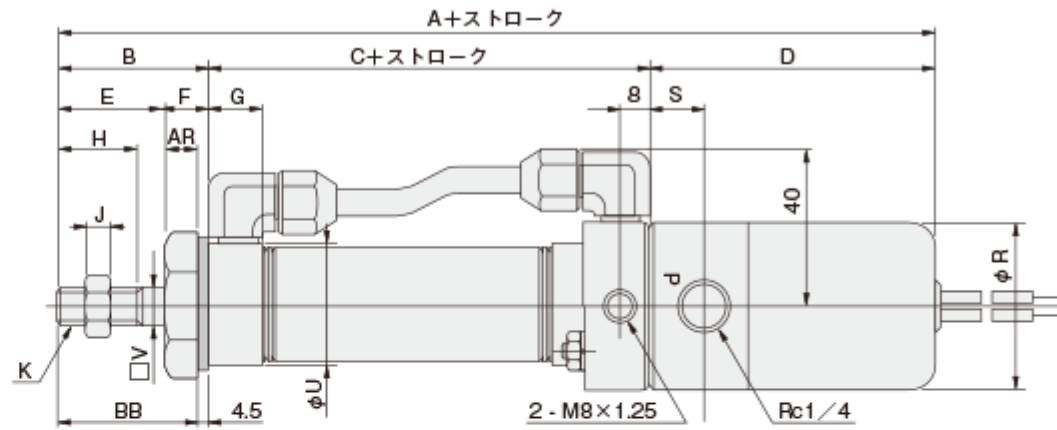
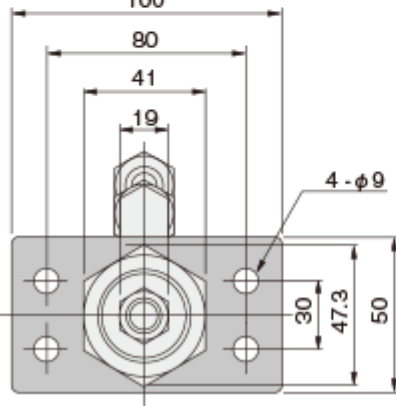


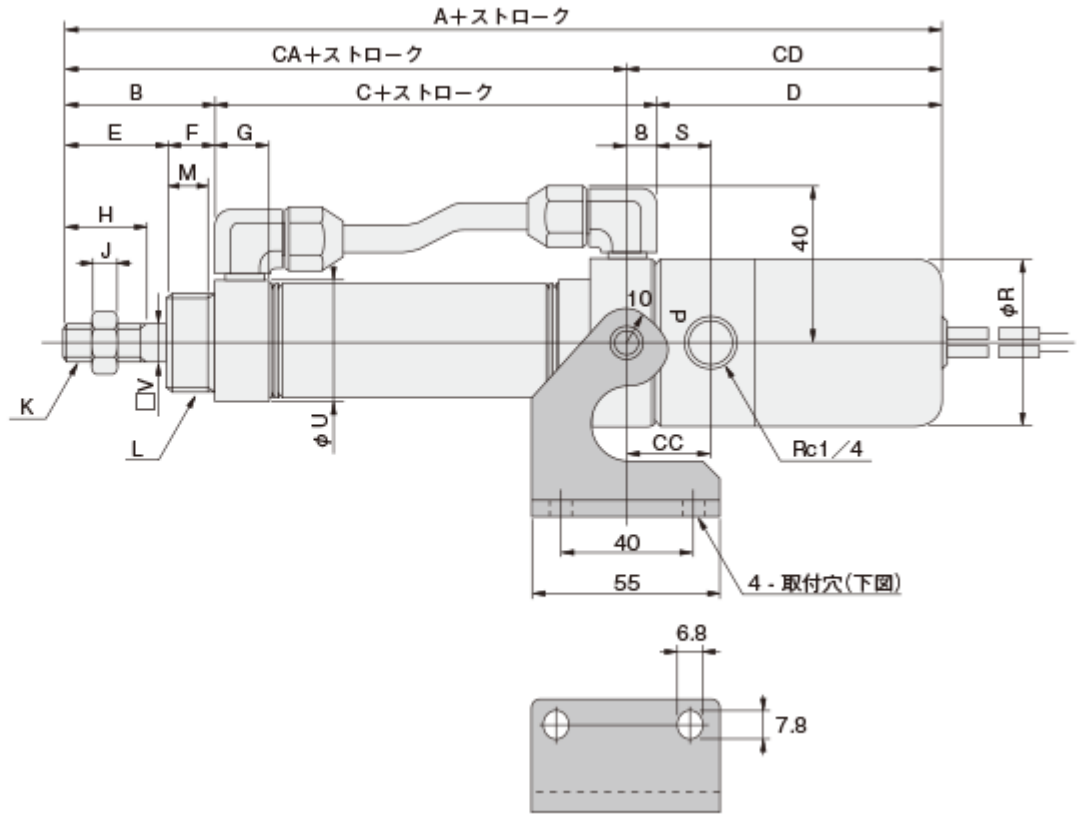
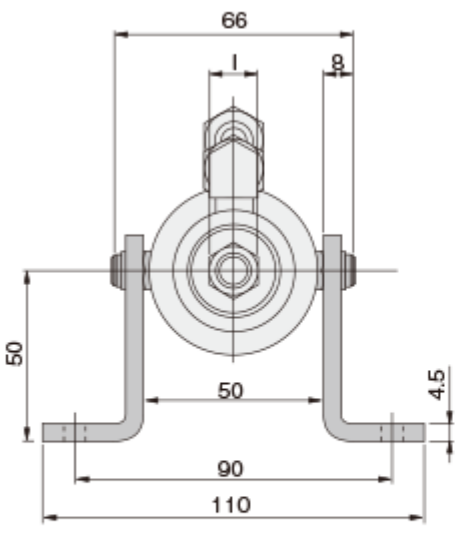


● $\phi 25$



● $\phi 40$





Copyright © MISUMI Corporation All Rights Reserved.